



US00D744229S

(12) **United States Design Patent**  
**Enders-Tretter**

(10) **Patent No.:** **US D744,229 S**

(45) **Date of Patent:** **\*\* \*Dec. 1, 2015**

(54) **ACCESSORIES HOLDER**

(71) Applicant: **Kelly Enders-Tretter**, Lake Oswego,  
OR (US)

(72) Inventor: **Kelly Enders-Tretter**, Lake Oswego,  
OR (US)

(\* ) Notice: This patent is subject to a terminal disclaimer.

(\*\*) Term: **14 Years**

(21) Appl. No.: **29/457,533**

(22) Filed: **Jun. 11, 2013**

(51) **LOC (10) Cl.** ..... **03-02**

(52) **U.S. Cl.**  
USPC ..... **D3/205**

(58) **Field of Classification Search**  
USPC ..... D3/205, 206, 304, 273, 276, 269, 283,  
D3/284, 286, 290, 292-294  
CPC ..... A45C 11/34; A45C 11/008; A45C 11/24;  
A45C 13/185; A45C 15/00  
See application file for complete search history.

(56) **References Cited**

**U.S. PATENT DOCUMENTS**

4,022,261	A	*	5/1977	Russell	.....	150/129
D250,855	S	*	1/1979	Gotz	.....	D3/206
D330,281	S	*	10/1992	Siris	.....	D3/285
D431,354	S	*	10/2000	Smith	.....	D3/205
6,135,179	A	*	10/2000	Joyner	.....	150/106

6,789,665	B2	*	9/2004	Staiano	.....	206/236
D518,959	S	*	4/2006	Gonzalez	.....	D3/318
D531,405	S	*	11/2006	Tortorella	.....	D3/246
D532,601	S	*	11/2006	Siegal	.....	D3/205
D557,892	S	*	12/2007	Greiner	.....	D3/205
D564,218	S	*	3/2008	Bagus	.....	D3/205
2010/0252154	A1		10/2010	Enders-Tretter		
2013/0228487	A1	*	9/2013	Gorman	.....	206/459.5

\* cited by examiner

*Primary Examiner* — Susan Bennett Hattan

*Assistant Examiner* — Charles Hanson

(74) *Attorney, Agent, or Firm* — Mohr Intellectual Property Law Solutions, PC

(57) **CLAIM**

I claim the ornamental design for an accessories holder, as shown and described.

**DESCRIPTION**

FIG. 1 is a front perspective view of an accessories holder according to one embodiment.

FIG. 2 is a front elevation view of the accessories holder.

FIG. 3 is a right side elevation view of the accessories holder.

FIG. 4 is a rear elevation view of the accessories holder.

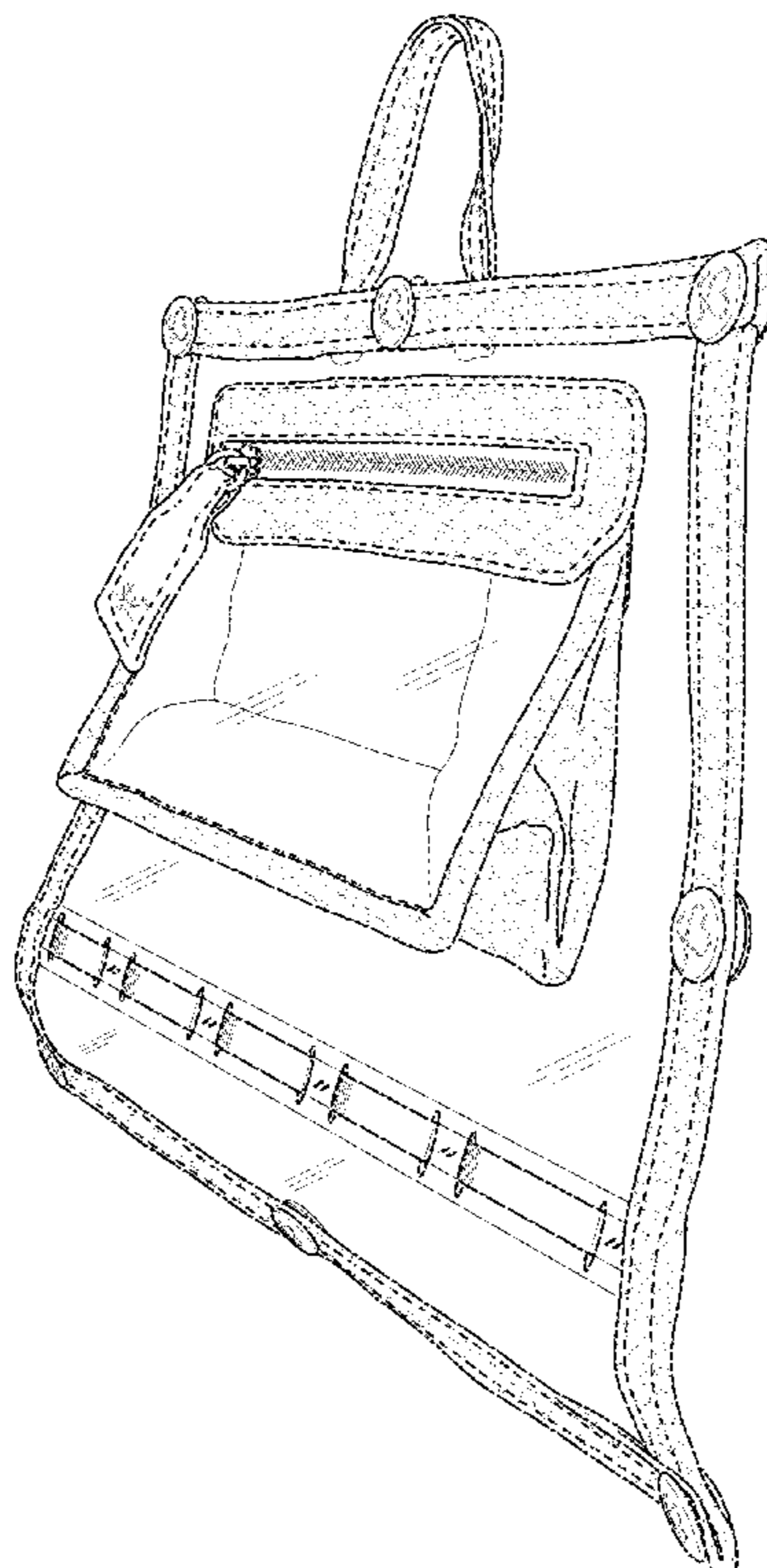
FIG. 5 is a left side elevation view of the accessories holder.

FIG. 6 is a top elevation view of the accessories holder; and,

FIG. 7 is a bottom elevation view of the accessories holder.

The claimed ornamental design is shown in solid lines with stitching depicted in dashed lines.

**1 Claim, 4 Drawing Sheets**



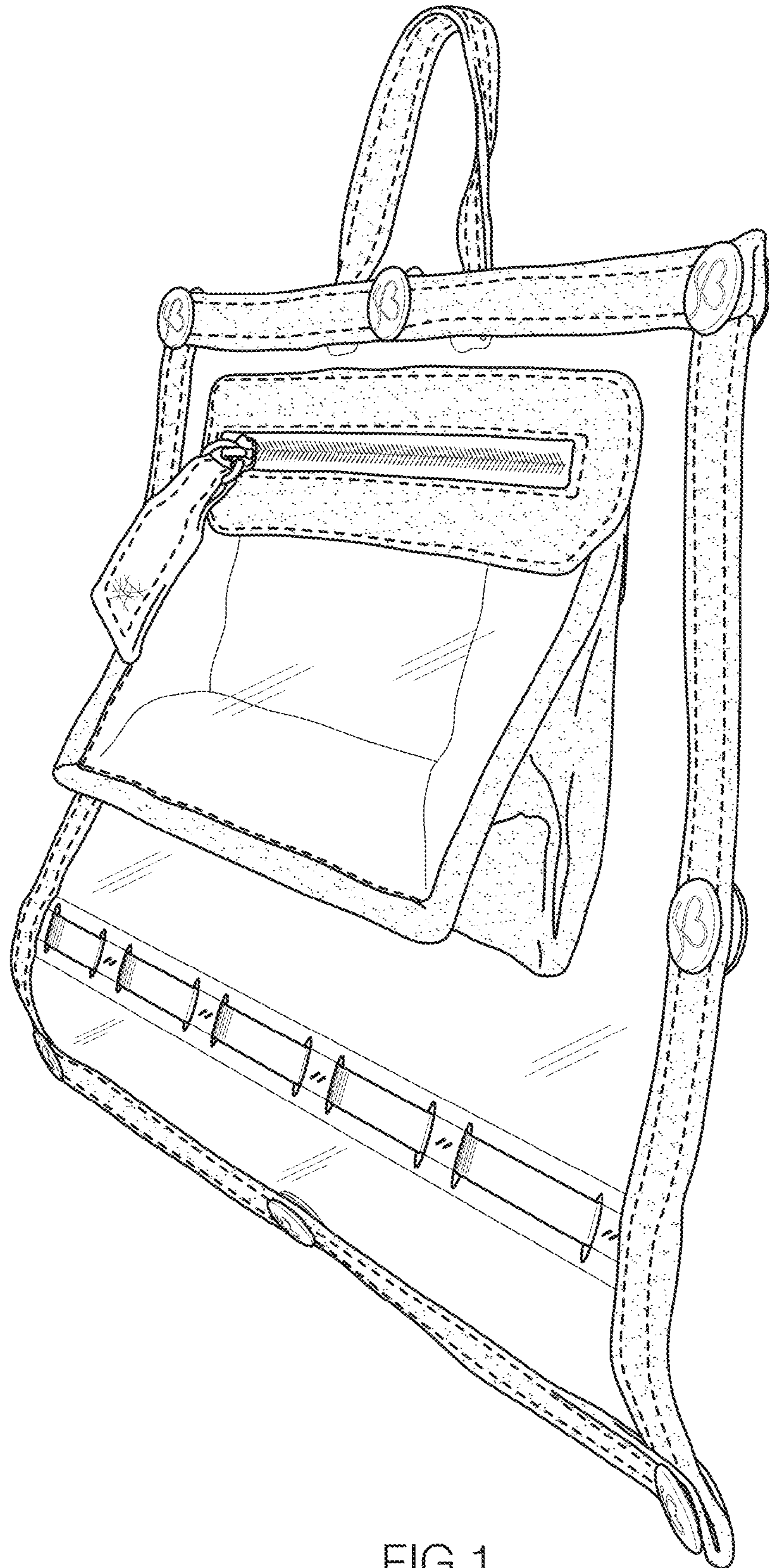


FIG. 1



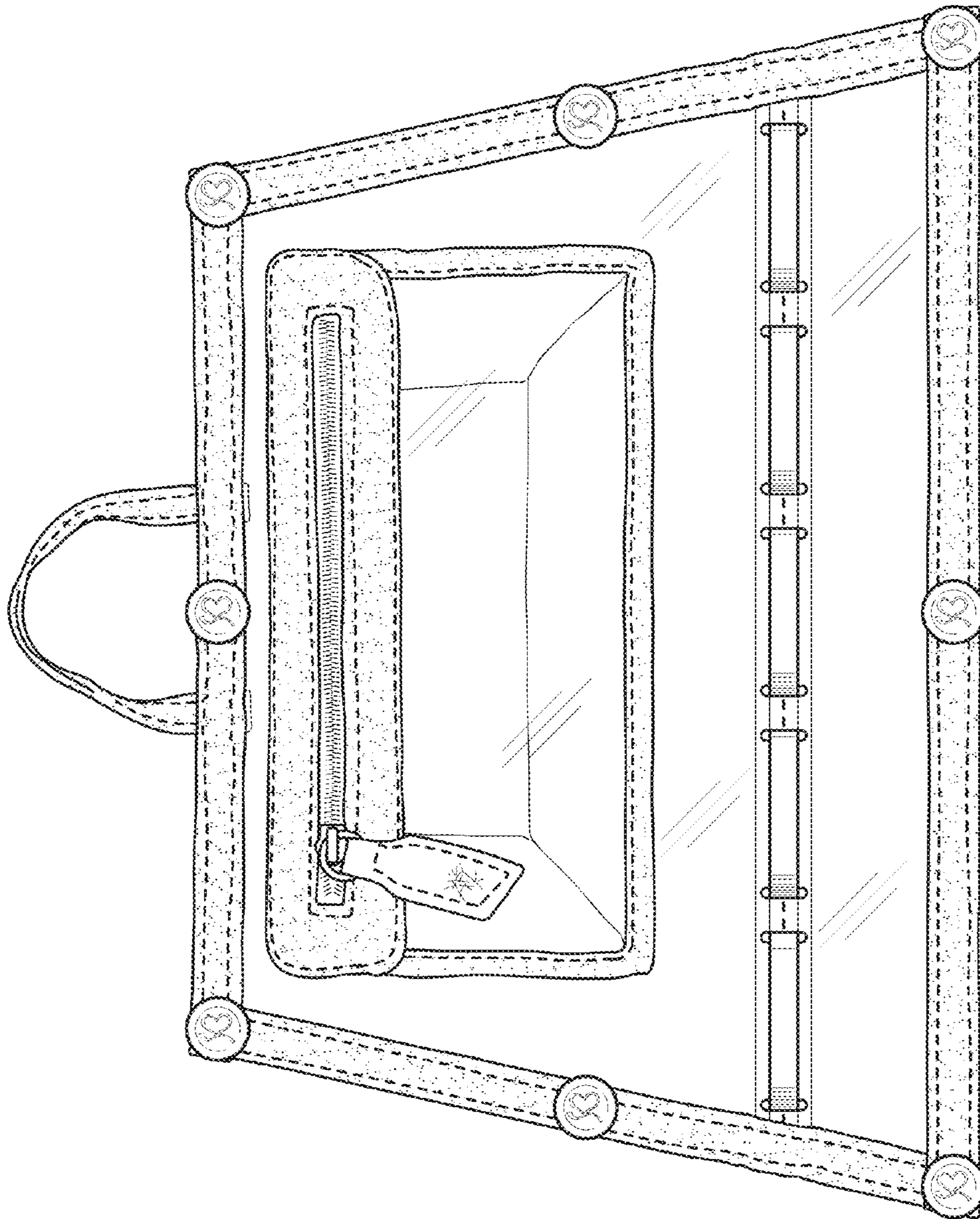


FIG. 2



FIG. 3



FIG. 5

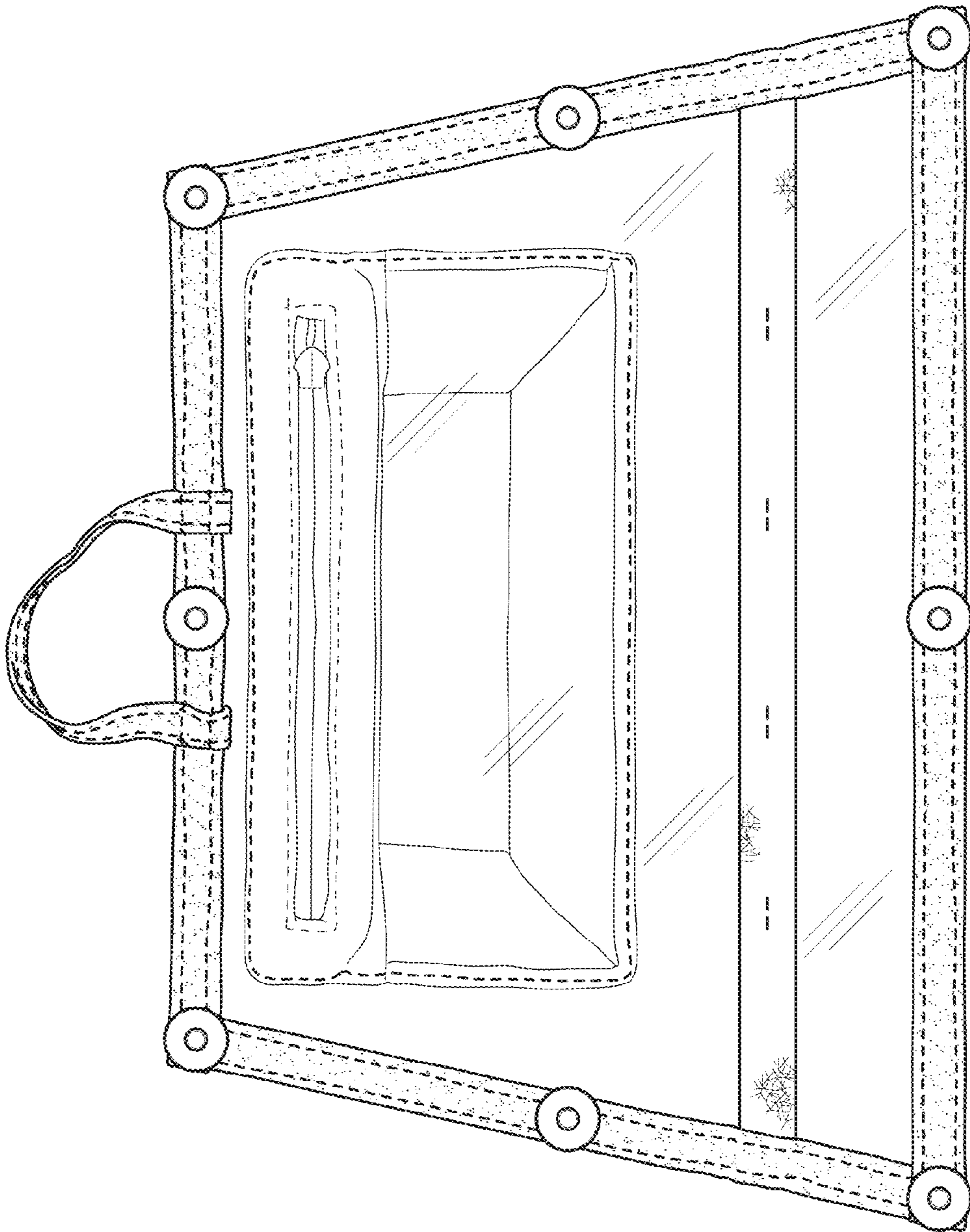


FIG. 4

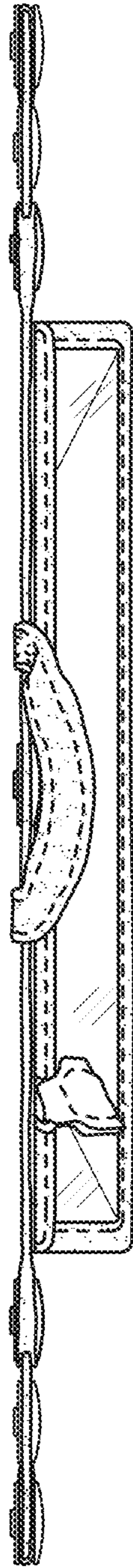


FIG. 6

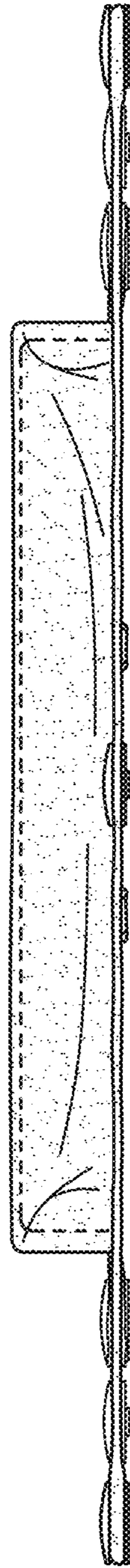


FIG. 7