



US00D744220S

(12) **United States Design Patent**
Slimane

(10) **Patent No.:** **US D744,220 S**
(45) **Date of Patent:** **** Dec. 1, 2015**

- (54) **HEEL OF A SHOE**
- (71) Applicant: **YVES SAINT LAURENT**, Paris (FR)
- (72) Inventor: **Hedi Slimane**, West Hollywood, CA (US)
- (73) Assignee: **YVES SAINT LAURENT**, Paris (FR)
- (**) Term: **14 Years**
- (21) Appl. No.: **29/469,320**
- (22) Filed: **Oct. 9, 2013**
- (51) **LOC (10) Cl.** **02-04**
- (52) **U.S. Cl.**
USPC **D2/966**
- (58) **Field of Classification Search**
USPC D2/899, 915, 916, 918, 921-923, 925,
D2/946, 964-966, 976; 36/7.1 R, 34 R,
36/72 B, 72 R, 73, 83, 136
CPC A43B 21/00; A43B 21/36; A43B 21/39;
A43B 21/52
See application file for complete search history.

- D262,330 S * 12/1981 Sucheras D2/966
- D580,642 S * 11/2008 Guers-Neyraud D2/965
- D580,643 S * 11/2008 Guers-Neyraud D2/965
- D634,106 S * 3/2011 Davidson D2/929

OTHER PUBLICATIONS

Diego Dolcini Spring 2012 Sandal, announced Apr. 2012, [online], site visited May 11, 2015. Available from Internet, <URL: <http://www.shoerazzi.com>>.*

* cited by examiner

Primary Examiner — Derrick Holland

Assistant Examiner — Janice Lim

(74) *Attorney, Agent, or Firm* — Donald J. Ranft; Kristen A. Mogavero; Collen IP

(57) **CLAIM**

The ornamental design for a heel of a shoe, as shown.

DESCRIPTION

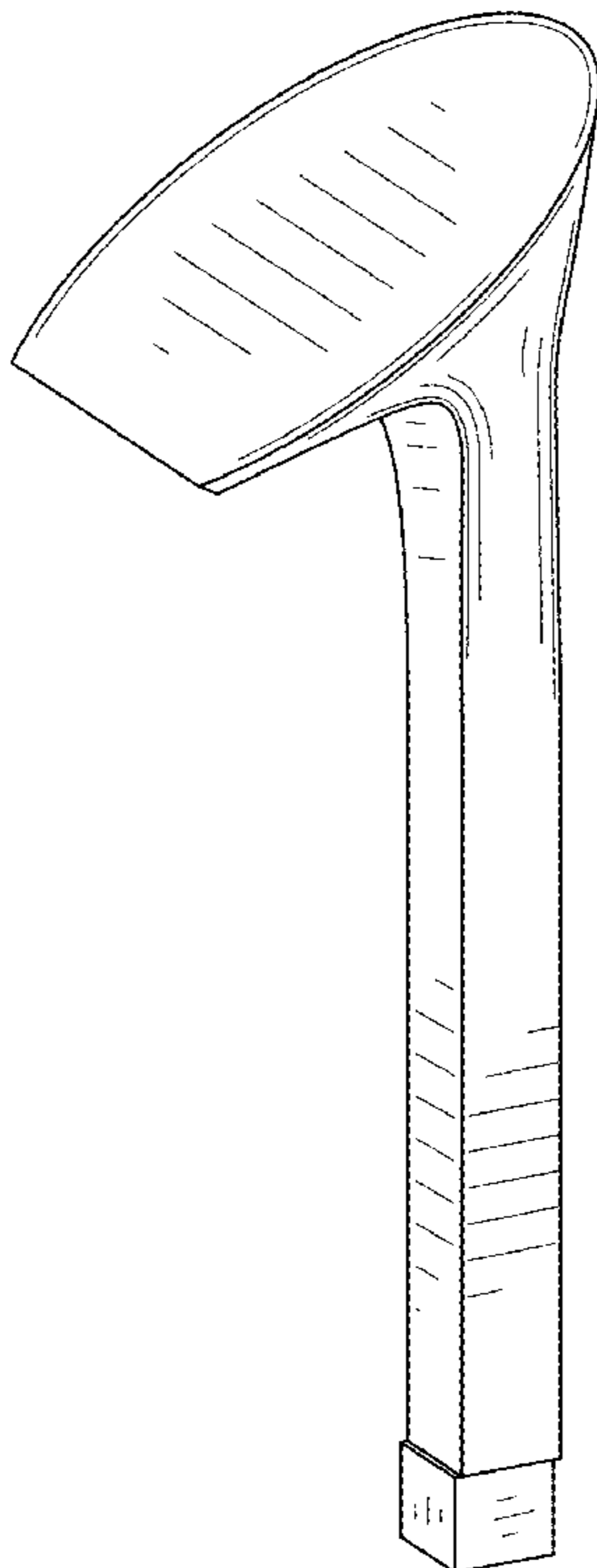
FIG. 1 is a right front perspective view of a heel of a shoe showing my new design;
FIG. 2 is a rear perspective view thereof;
FIG. 3 is a side view thereof;
FIG. 4 is a top view thereof;
FIG. 5 is a bottom view thereof;
FIG. 6 is a front view thereof; and,
FIG. 7 is a rear view thereof.

1 Claim, 3 Drawing Sheets

(56) **References Cited**

U.S. PATENT DOCUMENTS

- 2,925,671 A * 2/1960 Del Giudice et al. 36/40
- 3,025,616 A * 3/1962 Joiner 36/24.5
- 3,216,133 A * 11/1965 Houle 36/34 R
- 3,225,465 A * 12/1965 Ball 36/34 A



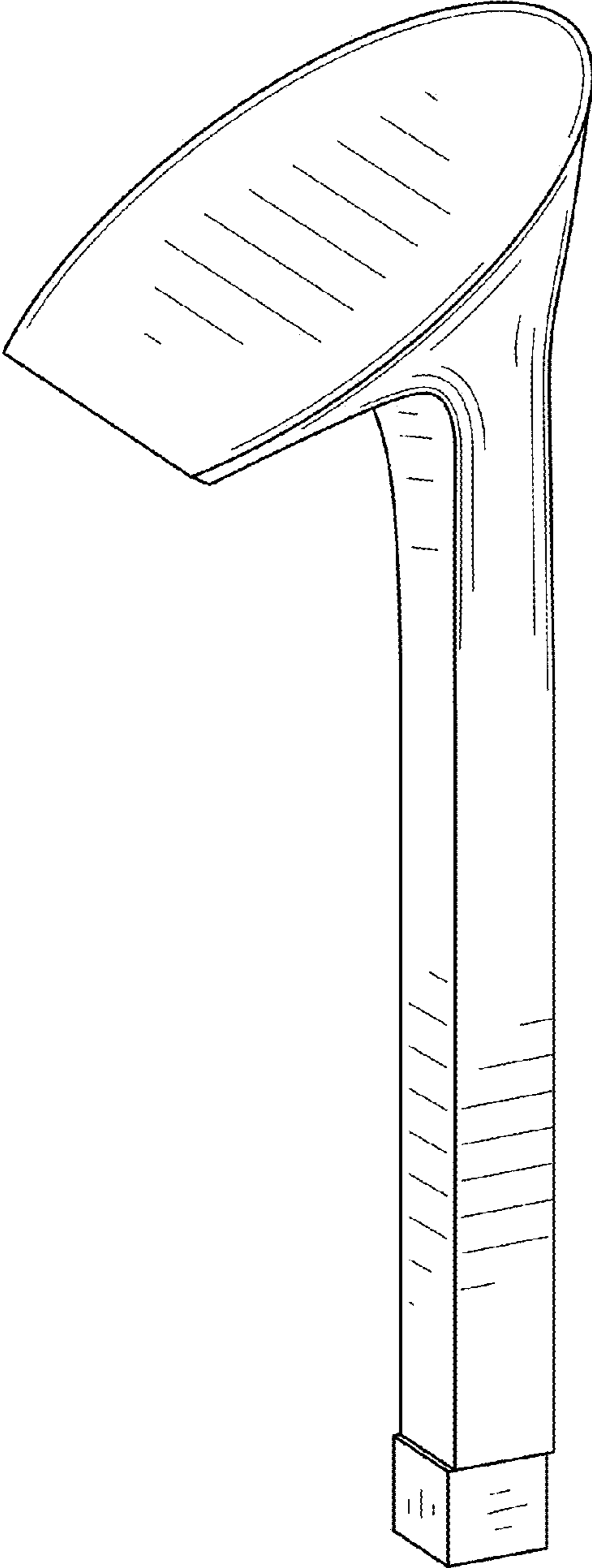


FIG. 1

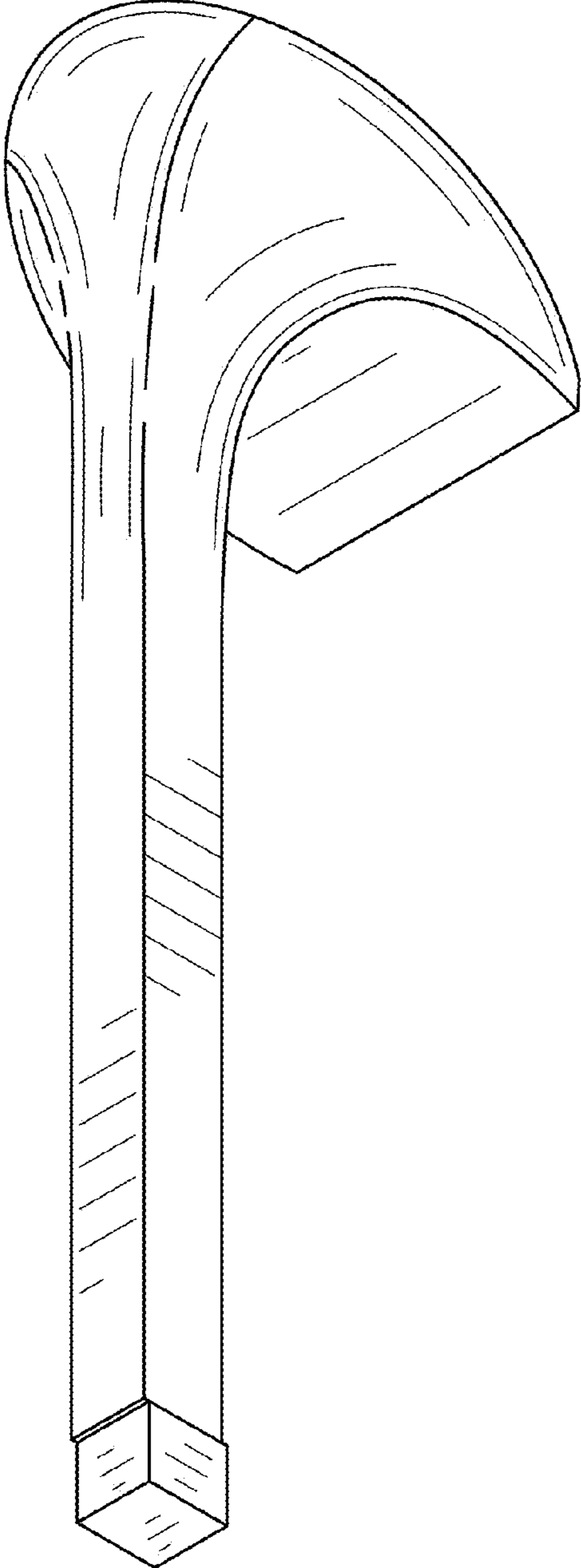


FIG. 2

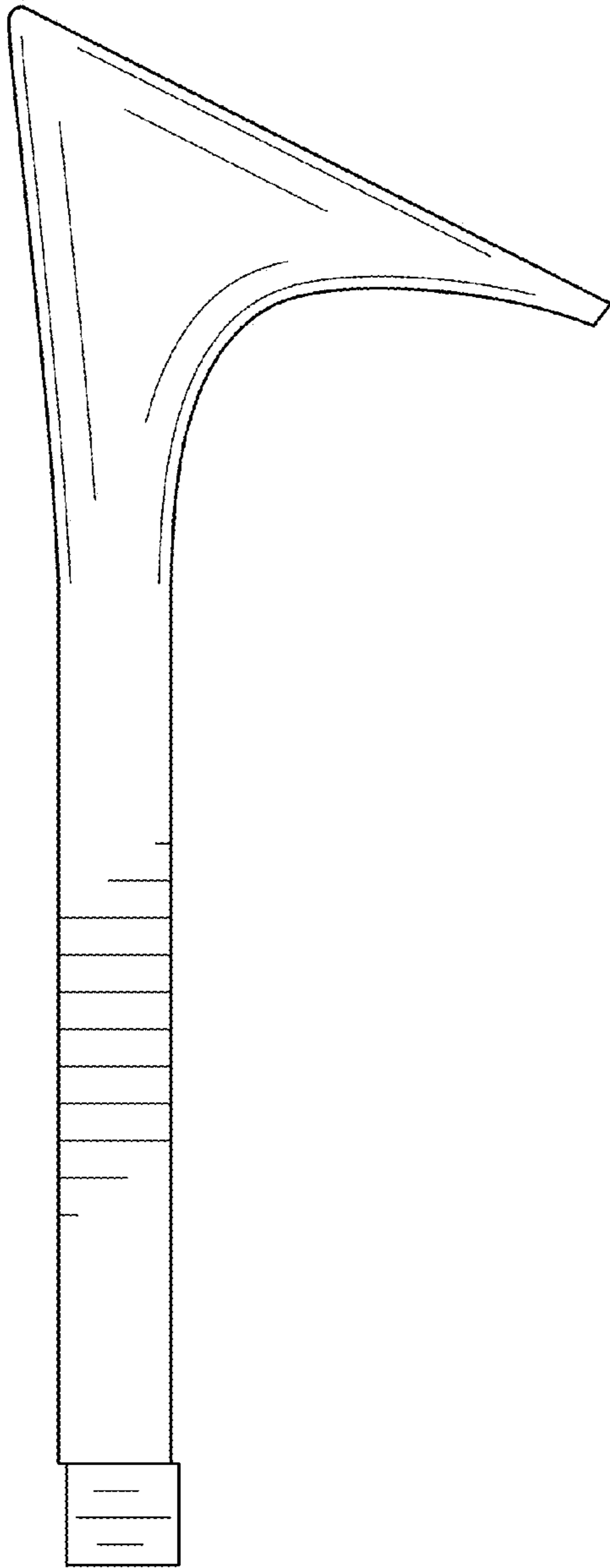


FIG. 3

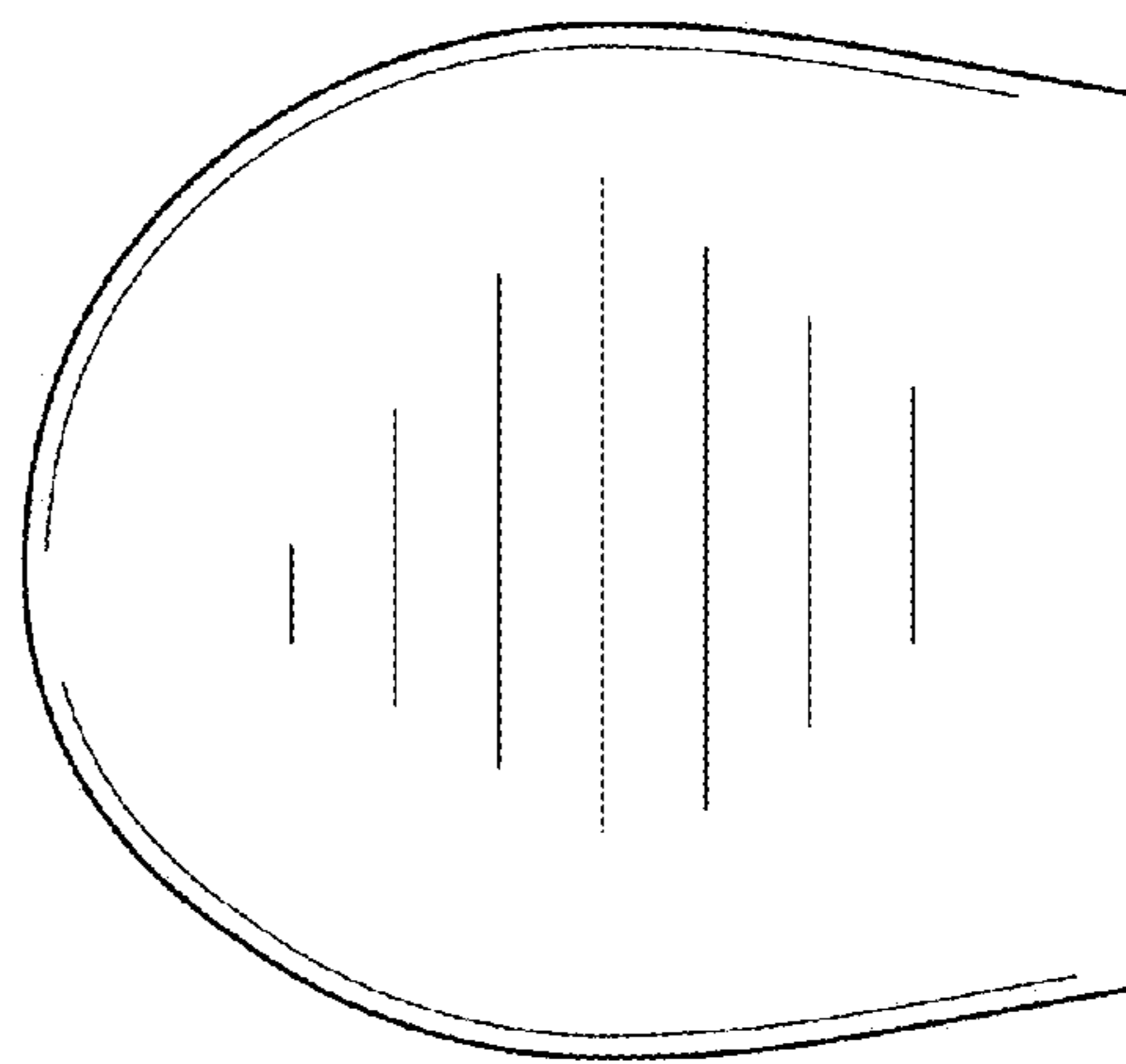


FIG. 4

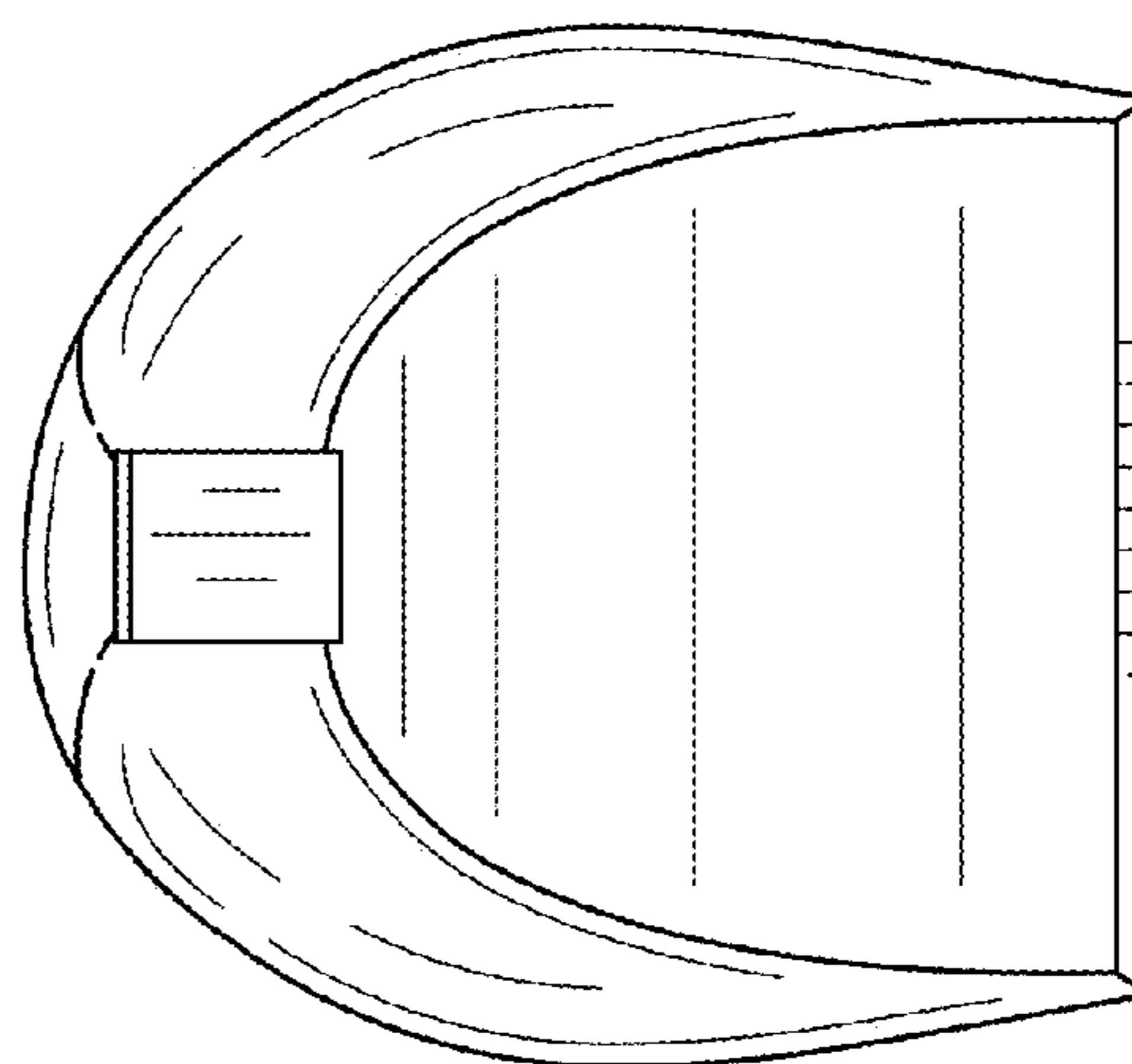


FIG. 5

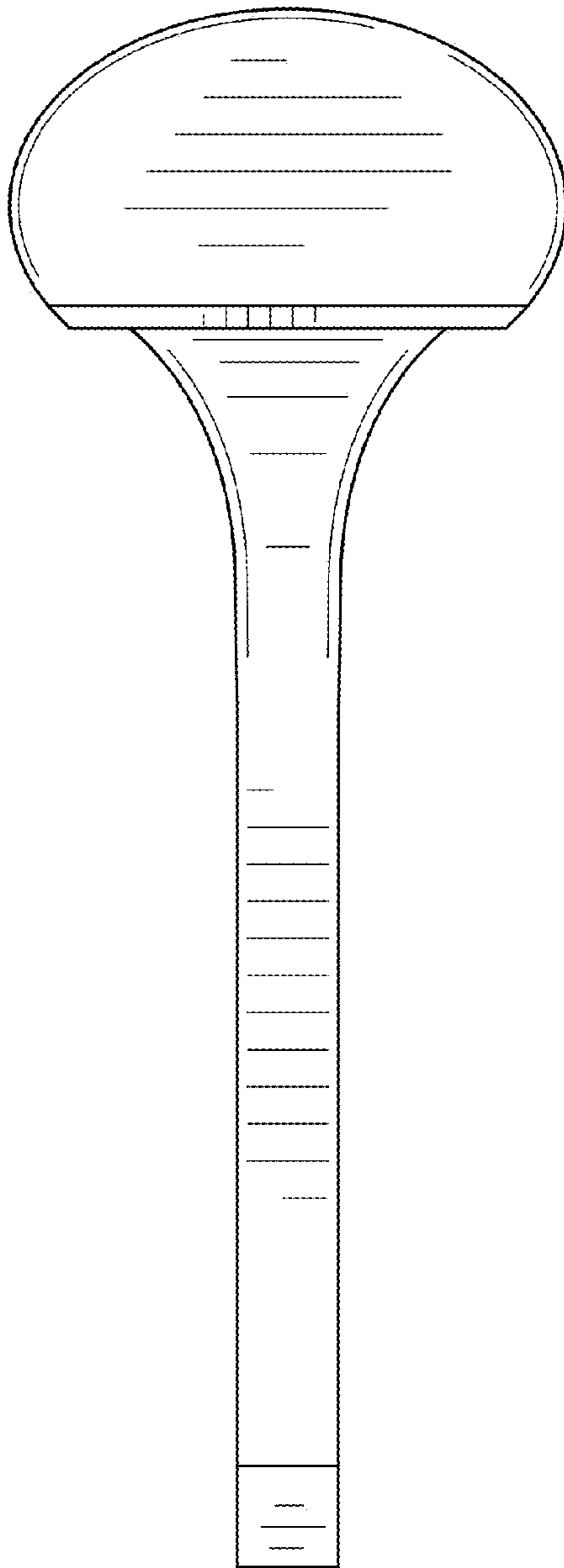


FIG. 6

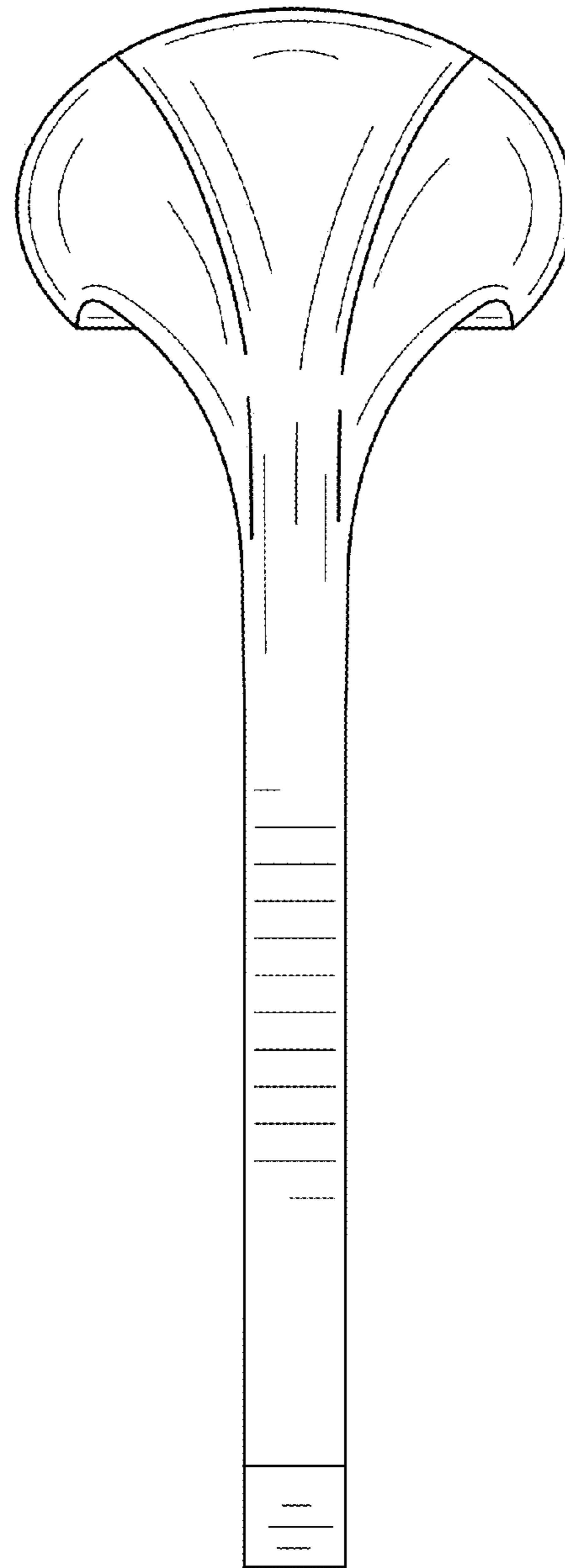


FIG. 7