



US00D744207S

(12) **United States Design Patent**  
**Donner et al.**

(10) **Patent No.:** **US D744,207 S**  
(45) **Date of Patent:** **\*\* Dec. 1, 2015**

- (54) **HOODIE**
- (71) Applicant: **SOHOODY LLC**, Jamaica Estates, NY (US)
- (72) Inventors: **Scott Donner**, Old Westbury, NY (US);  
**Chris Monteleone**, Hempstead, NY (US)
- (73) Assignee: **SOHOODY, LLC**, Jamaica Estates, NY (US)
- (\*\*) Term: **14 Years**
- (21) Appl. No.: **29/479,835**
- (22) Filed: **Jan. 21, 2014**
- (51) **LOC (10) Cl.** ..... **02-03**
- (52) **U.S. Cl.**  
USPC ..... **D2/880**
- (58) **Field of Classification Search**  
USPC ..... D2/865, 866, 867, 868, 869, 870, 874,  
D2/875, 877, 878, 880, 881, 885, 889, 890,  
D2/891, 895; 2/68, 171, 171.03, 171.04,  
2/171.1, 171.6, 171.7, 172, 173, 173.5,  
2/181, 183, 195.1, 195.7, 195.8, 200.1,  
2/200.3, 202, 203, 205, 207, 209.11,  
2/209.13  
CPC ..... A42B 1/04; A42B 1/06; A42B 1/22;  
A42B 1/24; A42B 1/004; A42B 1/041;  
A42B 1/045; A42B 1/048; A42B 1/066;  
A42B 1/208; A42B 1/241; A42B 3/003  
See application file for complete search history.

- D304,257 S \* 10/1989 Dorning ..... D2/854
- 5,153,945 A \* 10/1992 Kobayashi et al. .... 2/413
- D388,239 S \* 12/1997 Li et al. .... D2/878
- 5,832,538 A \* 11/1998 Williams ..... 2/202
- D406,936 S \* 3/1999 Sivret et al. .... D2/881

(Continued)

**OTHER PUBLICATIONS**

Style UNO, Lonehood, www.styleuno.com, Mar. 13, 2014, US.

*Primary Examiner* — Karen S Acker

*Assistant Examiner* — Wendy Arminio

(74) *Attorney, Agent, or Firm* — The Concept Law Group, P.A.; Scott D. Smiley

(57) **CLAIM**

The ornamental design for a hoodie, as shown and described.

**DESCRIPTION**

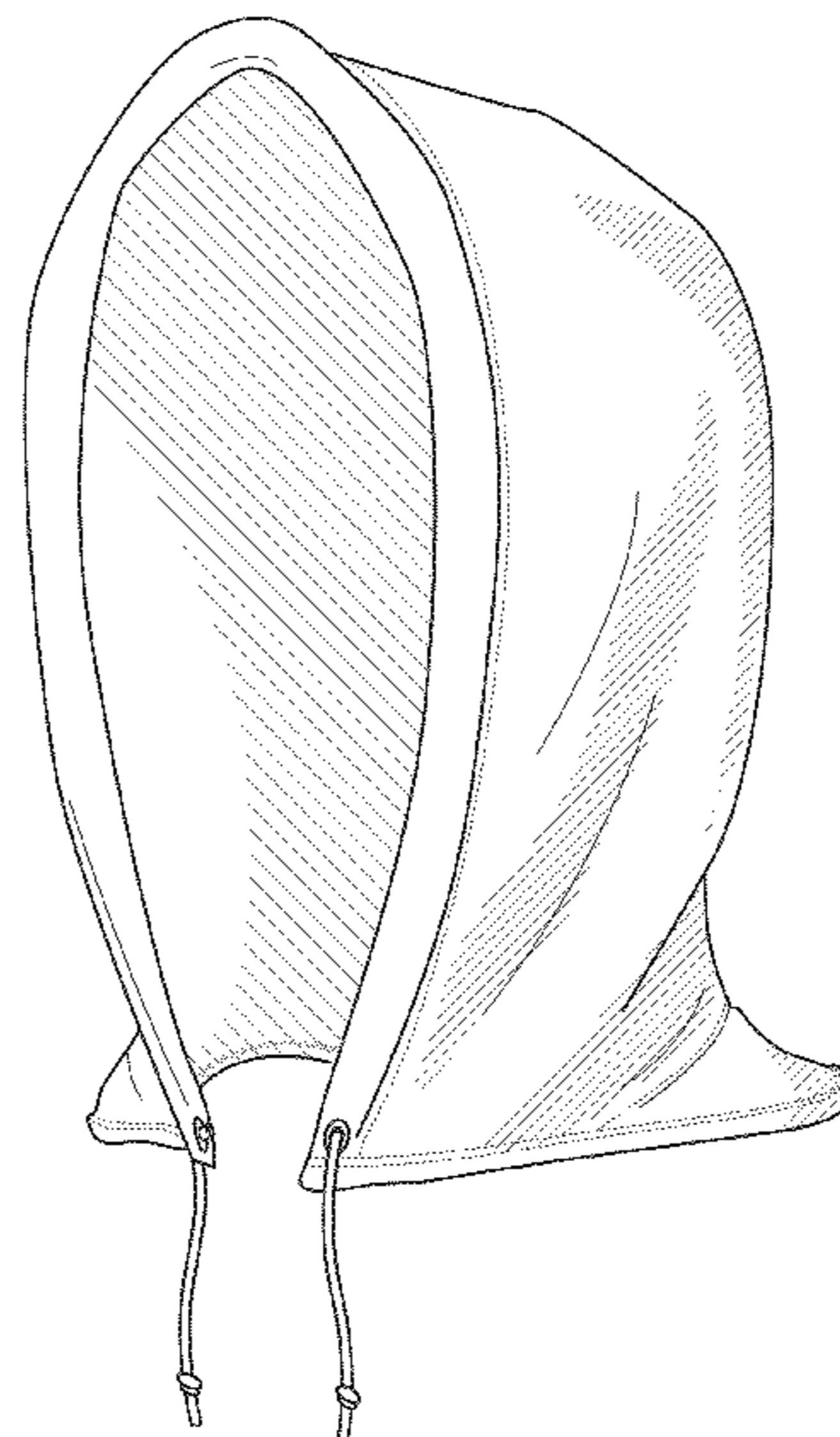
FIG. 1 is a left-side front perspective view of a first embodiment of a hoodie in accordance with the present invention; FIG. 2 is an elevational front view of the hoodie of FIG. 1; FIG. 3 is an elevational left-side view of the hoodie of FIG. 1; FIG. 4 is a top plan view of the hoodie of FIG. 1 with the right and left sides extended outward; FIG. 5 is a bottom plan view of the hoodie of FIG. 1 with the right and left sides extended outward; FIG. 6 is a left-side front perspective view of a second embodiment of a hoodie in accordance with the present invention; FIG. 7 is an elevational front view of the hoodie of FIG. 6; FIG. 8 is an elevational left-side view of the hoodie of FIG. 6; FIG. 9 is a top plan view of the hoodie of FIG. 6 with the right and left sides extended outward; and, FIG. 10 is a bottom plan view of the hoodie of FIG. 6 with the right and left sides extended outward. The broken lines showing stitching depict portions of the hoodie that form no part of the claimed design.

**1 Claim, 4 Drawing Sheets**

(56) **References Cited**

**U.S. PATENT DOCUMENTS**

- 2,439,382 A \* 4/1948 De Grazia ..... 2/84
- 2,581,366 A \* 1/1952 De Grazia ..... 2/203



(56)

**References Cited**

U.S. PATENT DOCUMENTS

6,425,138	B1 *	7/2002	Johnson	.....	2/202	8,209,822	B2 *	7/2012	Okot	.....	24/115 G
6,843,398	B2 *	1/2005	Zion	.....	224/576	D672,534	S	12/2012	Smith		
D555,330	S *	11/2007	Cass et al.	.....	D2/866	D699,927	S *	2/2014	Fujioka	.....	D2/866
D621,591	S *	8/2010	Gloege	.....	D2/880	D701,679	S *	4/2014	Keppler	.....	D2/881
D635,332	S *	4/2011	DeRobertis	.....	D2/831	D708,822	S *	7/2014	Douglas	.....	D2/880
D653,836	S *	2/2012	Woysner et al.	.....	D2/750	2011/0131704	A1 *	6/2011	Hughes	.....	2/204
						2012/0023639	A1 *	2/2012	Rojas Mas	.....	2/84
						2014/0317829	A1 *	10/2014	Rolfe	.....	2/84
						2015/0013046	A1 *	1/2015	Coleman et al.	.....	2/202

\* cited by examiner



FIG. 1

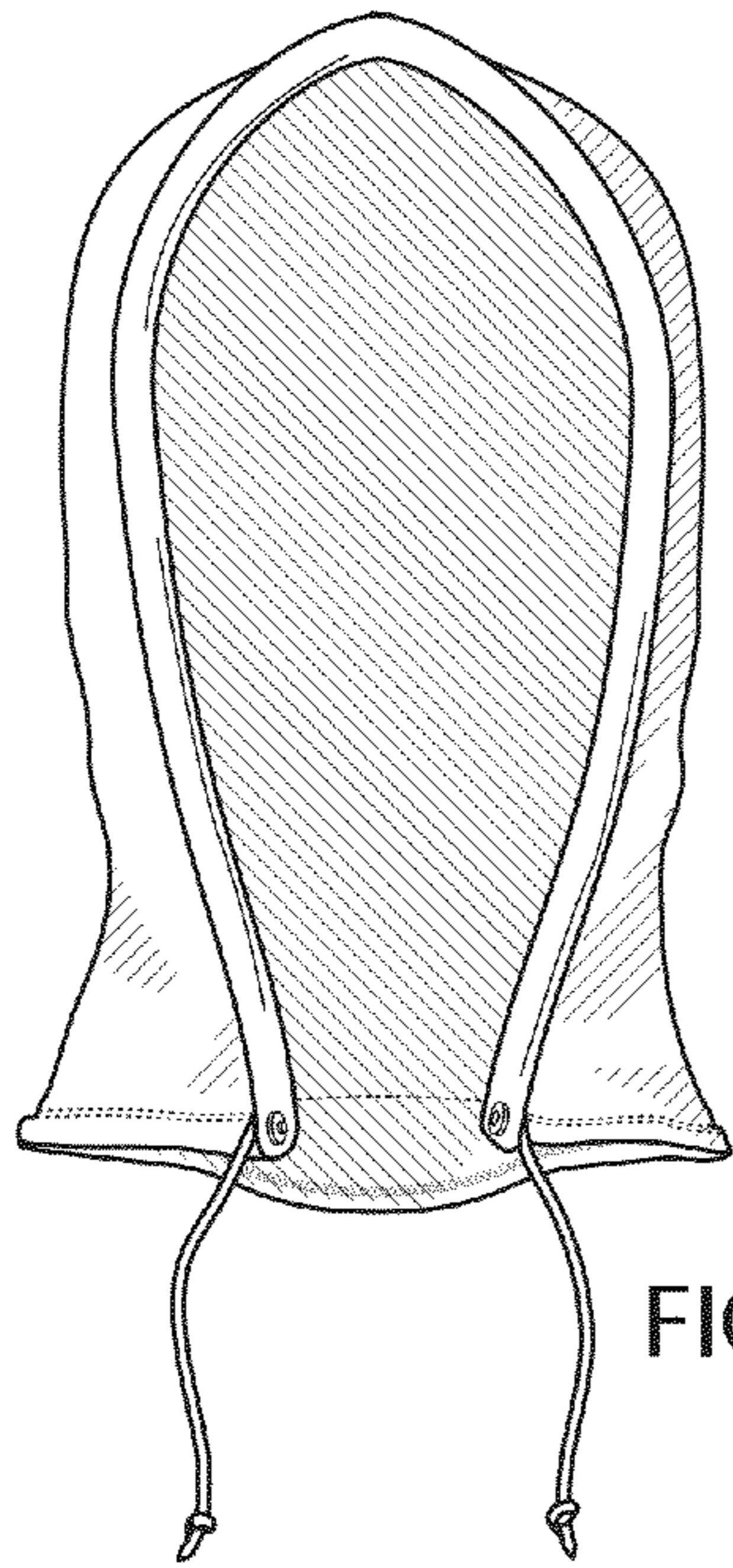


FIG. 2

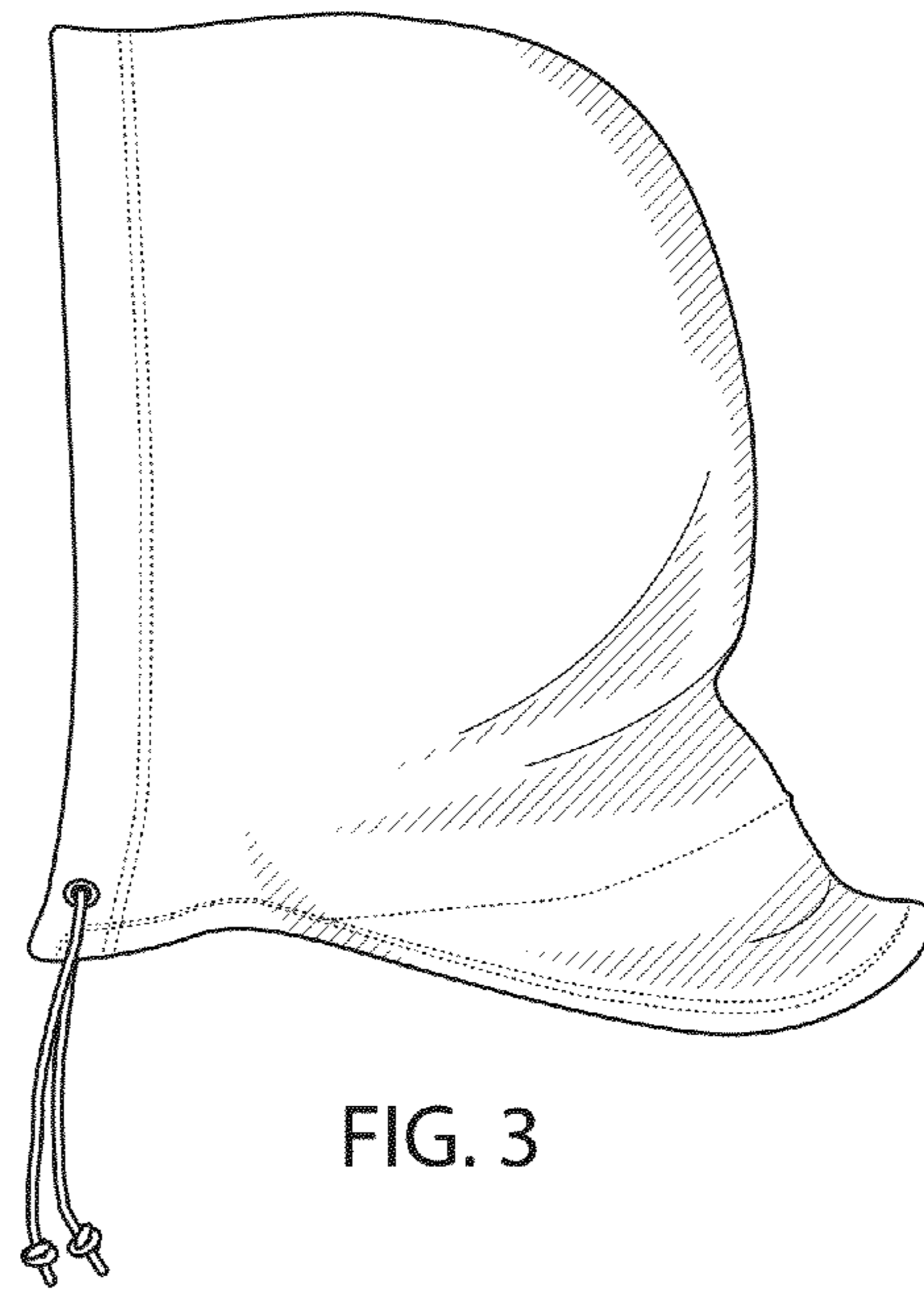


FIG. 3

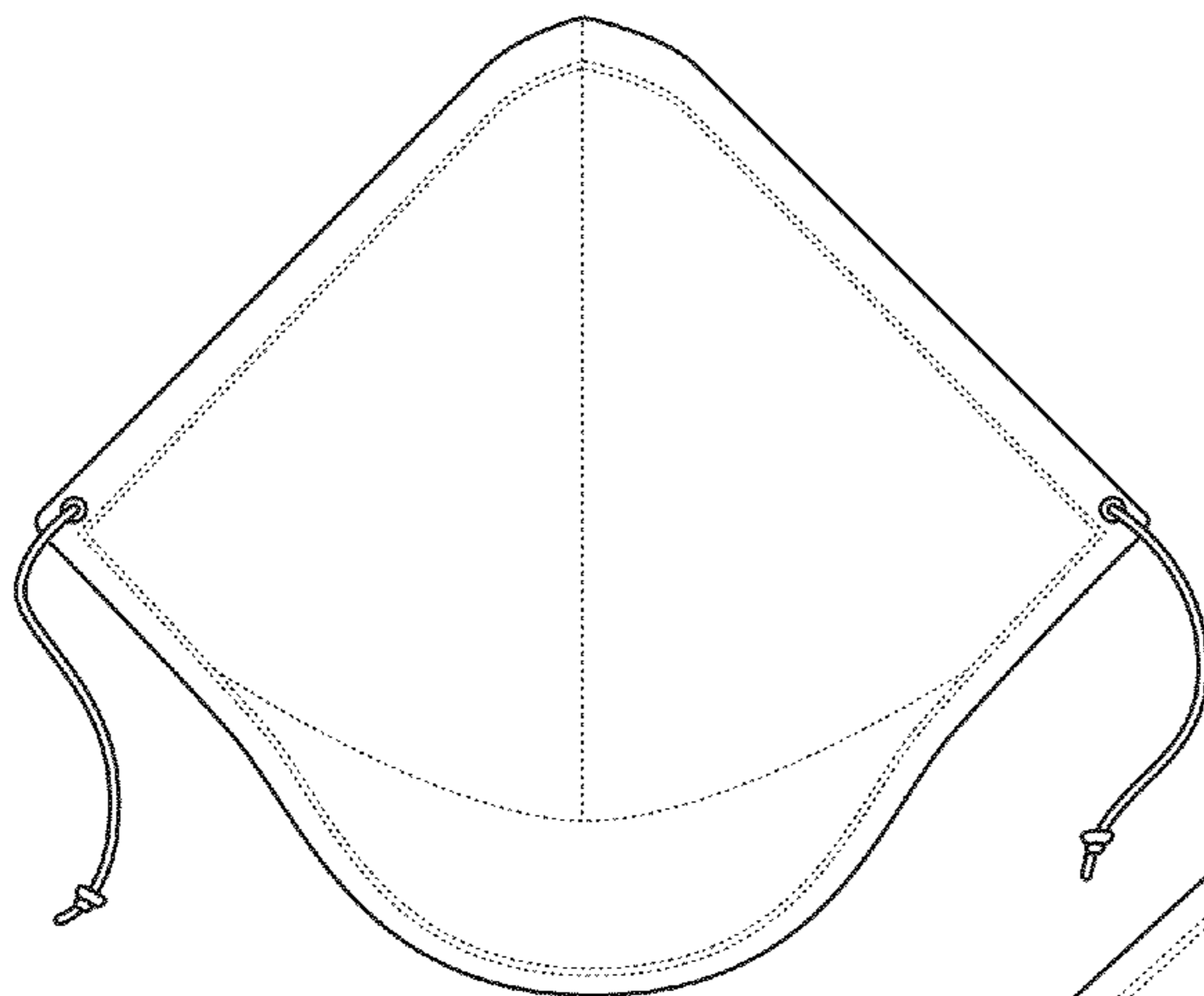


FIG. 4

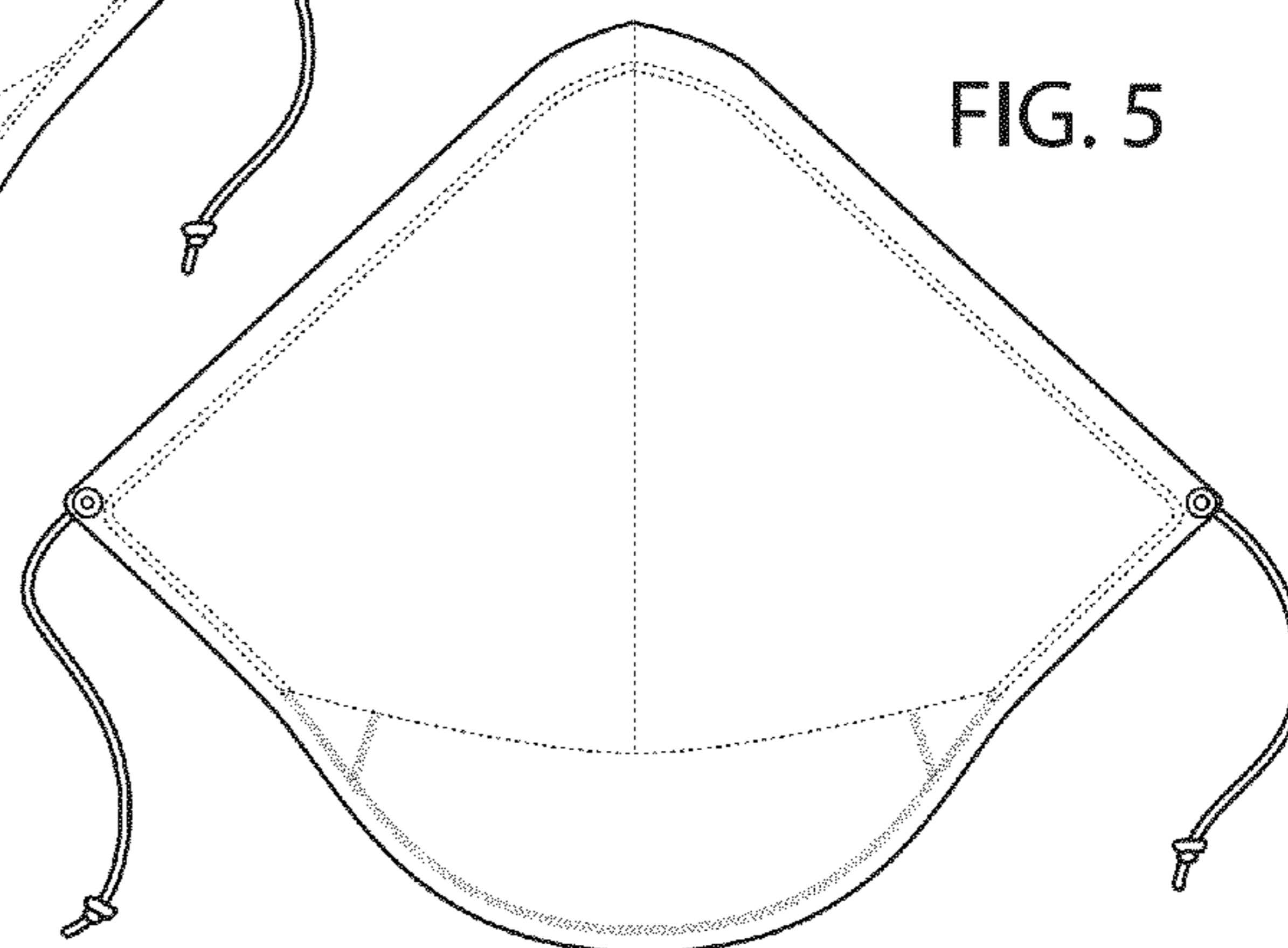


FIG. 5

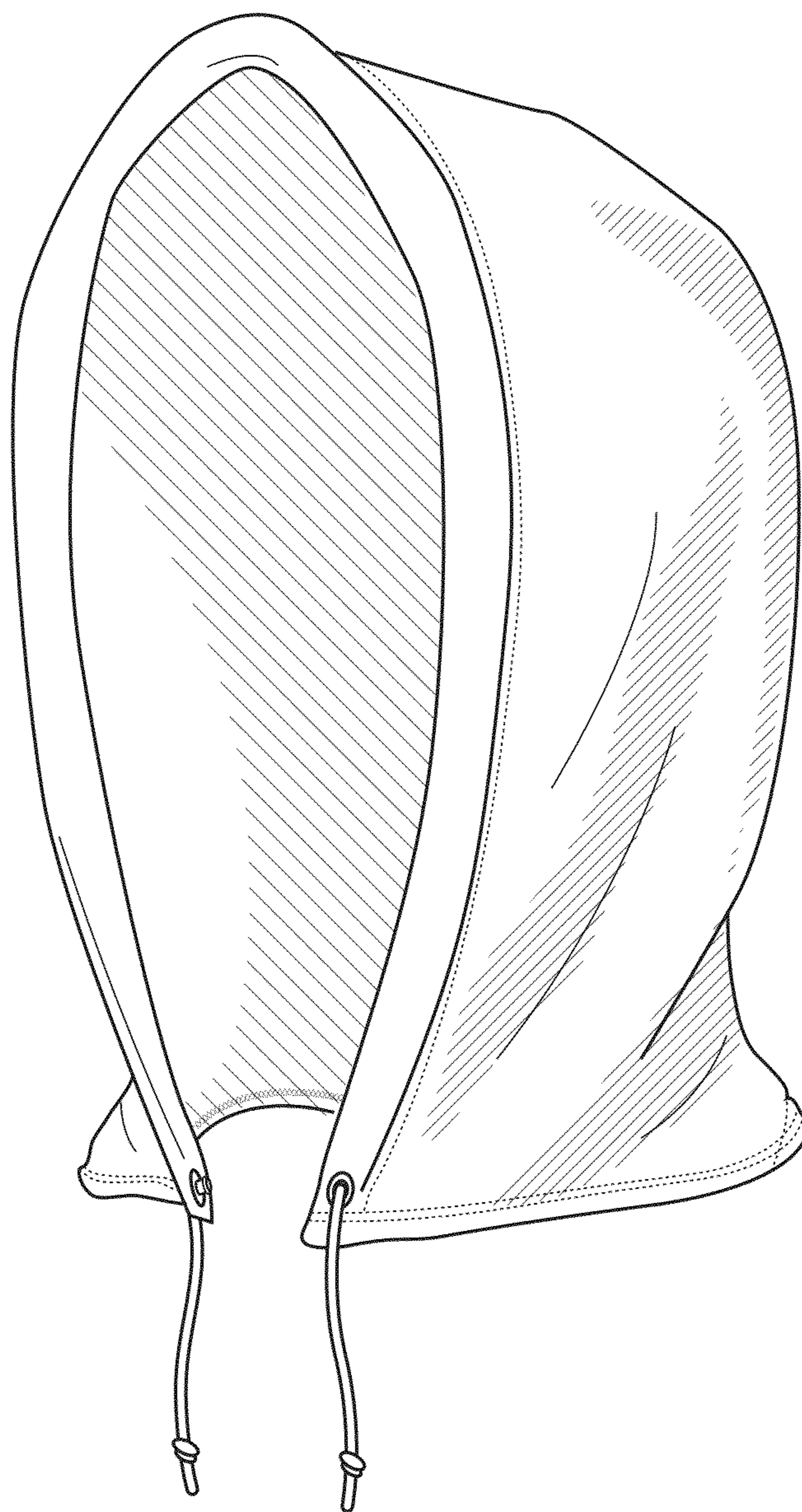


FIG. 6

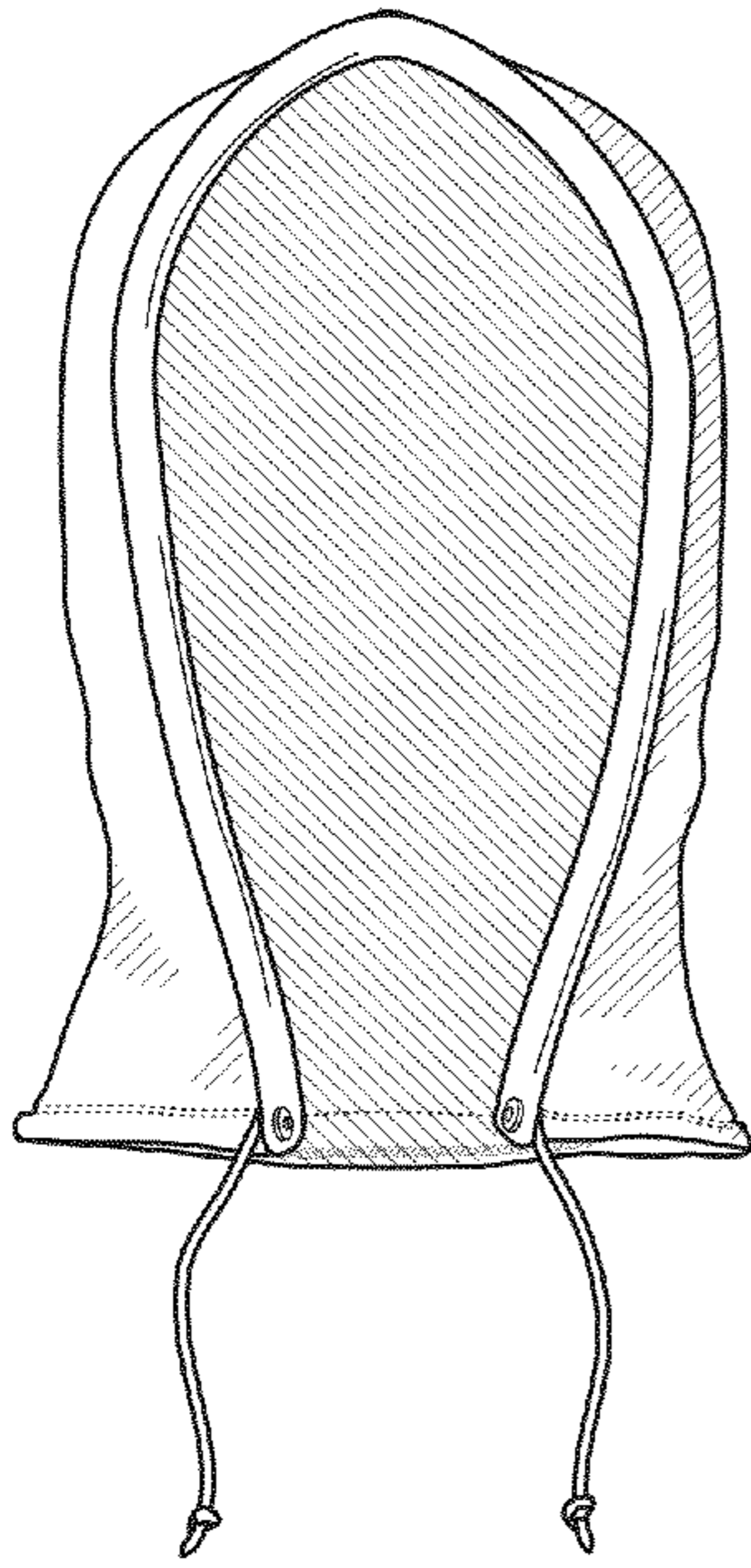


FIG. 7

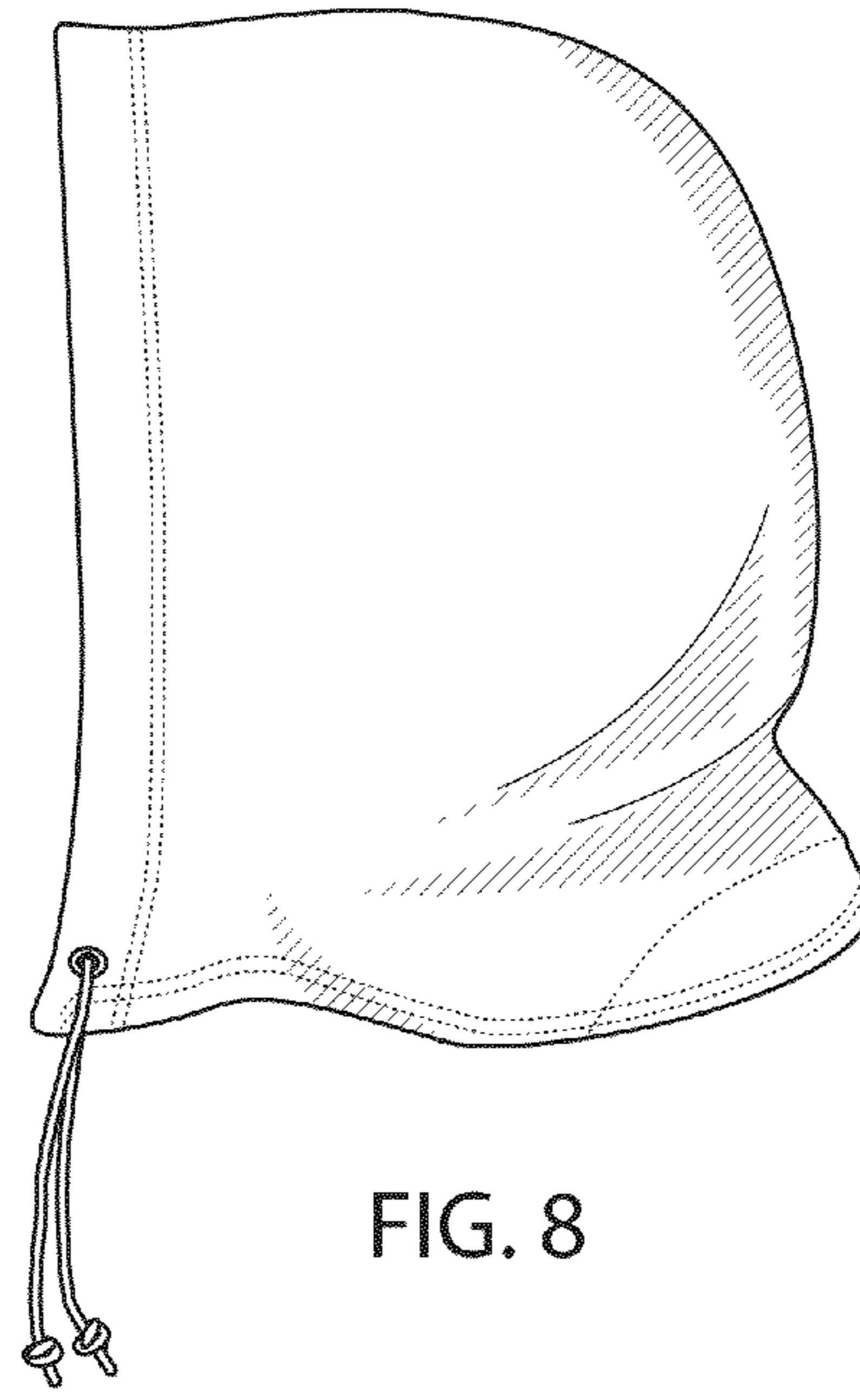


FIG. 8

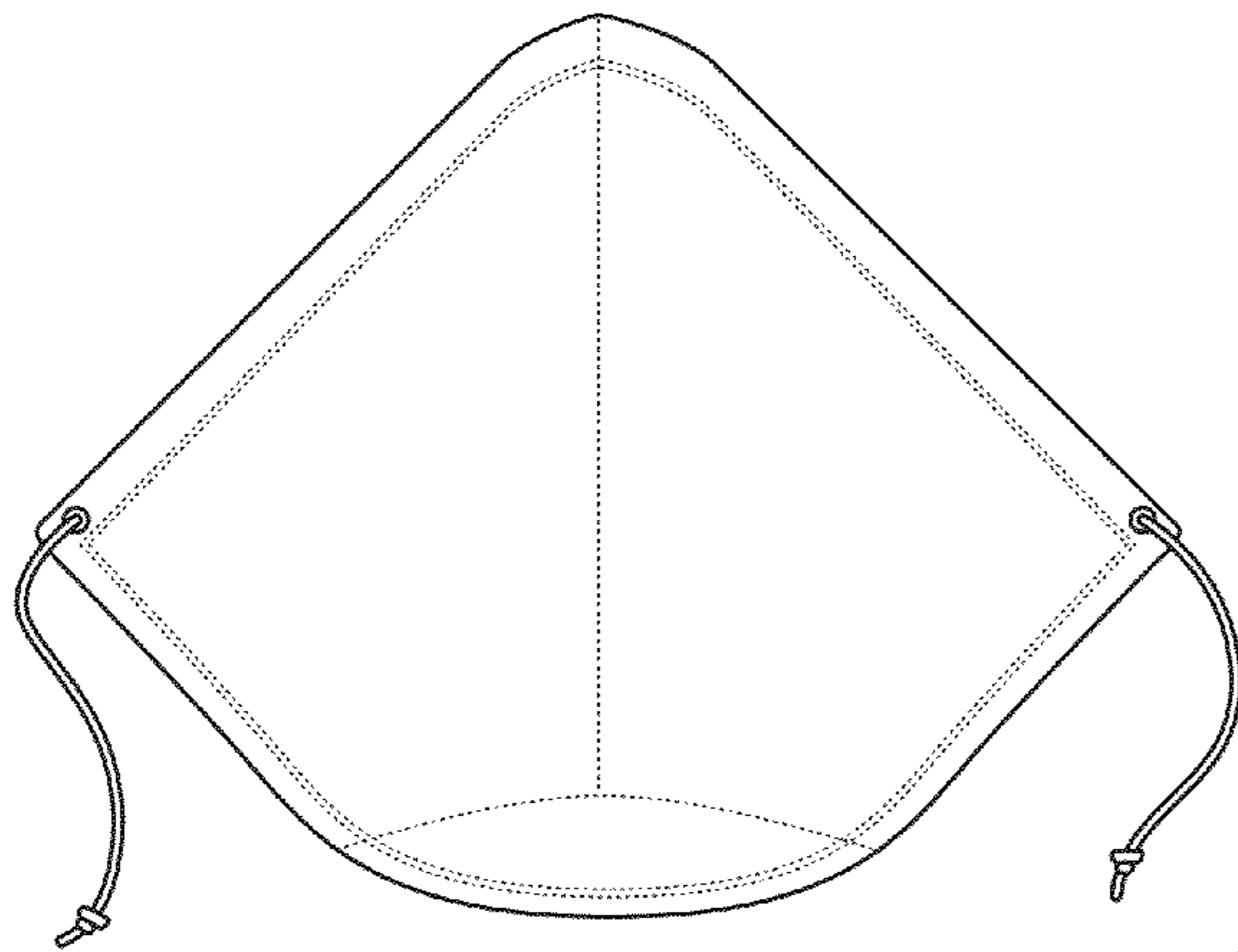


FIG. 9

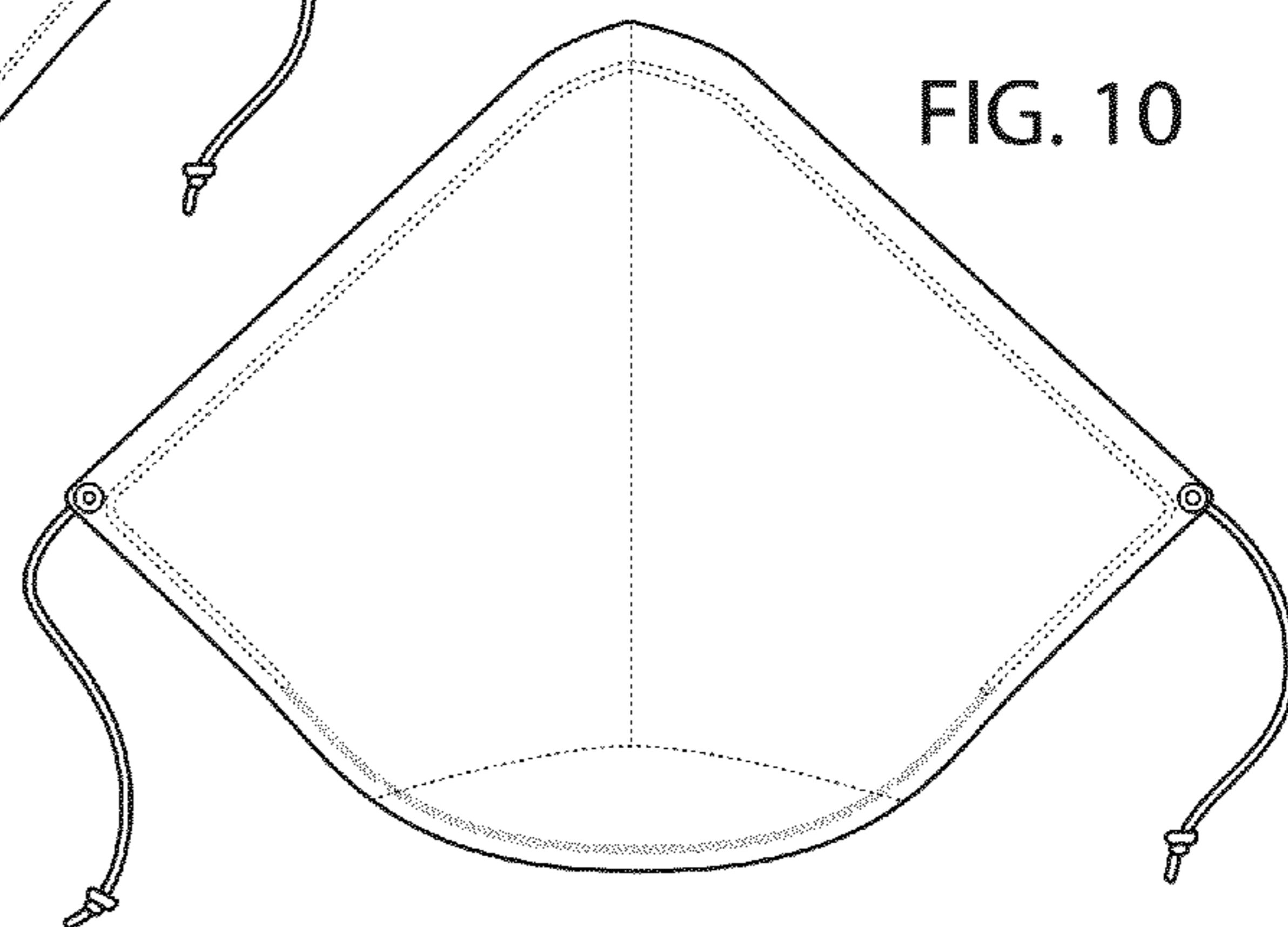


FIG. 10