



US00D744205S

(12) **United States Design Patent**
Roscoe

(10) **Patent No.:** **US D744,205 S**
(45) **Date of Patent:** **** Dec. 1, 2015**

(54) **GARMENT**

(71) Applicant: **NIKE, Inc.**, Beaverton, OR (US)

(72) Inventor: **Justin Roscoe**, Portland, OR (US)

(73) Assignee: **NIKE, Inc.**, Beaverton, OR (US)

(**) Term: **14 Years**

(21) Appl. No.: **29/517,697**

(22) Filed: **Feb. 16, 2015**

(51) **LOC (10) Cl.** **02-02**

(52) **U.S. Cl.**
USPC **D2/840**

(58) **Field of Classification Search**
USPC D2/717, 749, 750, 840, 841, 857
See application file for complete search history.

(56) **References Cited**

U.S. PATENT DOCUMENTS

D59,959 S	12/1921	Homel et al.	
2,575,700 A *	11/1951	Artzt	A41B 9/06 2/113
D306,511 S	3/1990	Jones	
D517,282 S	3/2006	Tanner et al.	
D526,763 S	8/2006	Tanner et al.	
D531,783 S	11/2006	Collier	
D539,508 S	4/2007	Rogers et al.	
D618,443 S	6/2010	Hall et al.	
D632,059 S	2/2011	Abrams et al.	
D641,138 S	7/2011	Santo et al.	
D648,508 S *	11/2011	Caselli	D2/840
D654,664 S	2/2012	Evans et al.	
D657,938 S *	4/2012	Atamian	D2/717
D694,993 S	12/2013	Tanaka et al.	
D698,524 S	2/2014	Roberts et al.	
D698,525 S	2/2014	Roberts et al.	
D714,522 S *	10/2014	Boyer	D2/717
2006/0218693 A1 *	10/2006	Sinohui	A41D 15/005 2/115

OTHER PUBLICATIONS

Nike Apparel Catalog, 2010 Fall Apparel p. 25, published date unknown, but prior to the filing date of the present application, NIKE, Inc., USA.

Nike Apparel Catalog, 2010 Fall Performance Apparel p. 12, published date unknown, but prior to the filing date of the present application, NIKE Inc., USA.

Nike Apparel Catalog, 2010 Fall Performance Apparel p. 15, published date unknown, but prior to the filing date of the present application, NIKE, Inc., USA.

Nike Apparel Catalog, 2010 Fall Performance Apparel p. 84, published date unknown, but prior to the filing date of the present application, NIKE, Inc., USA.

Nike Apparel Catalog, 2011 Fall Men's Performance Catalog p. 1, published date unknown, but prior to the filing date of the present application, NIKE, Inc., USA.

Nike Apparel Catalog, 2011 Spring Men's Performance Apparel p. 64, published date unknown, but prior to the filing date of the present application, NIKE, Inc., USA.

Nike Apparel Catalog, 2011 Spring Men's Performance Apparel p. 66, published date unknown, but prior to the filing date of the present application, NIKE, Inc., USA.

* cited by examiner

Primary Examiner — Rashida Johnson

(74) *Attorney, Agent, or Firm* — Banner & Witcoff, Ltd.

(57) **CLAIM**

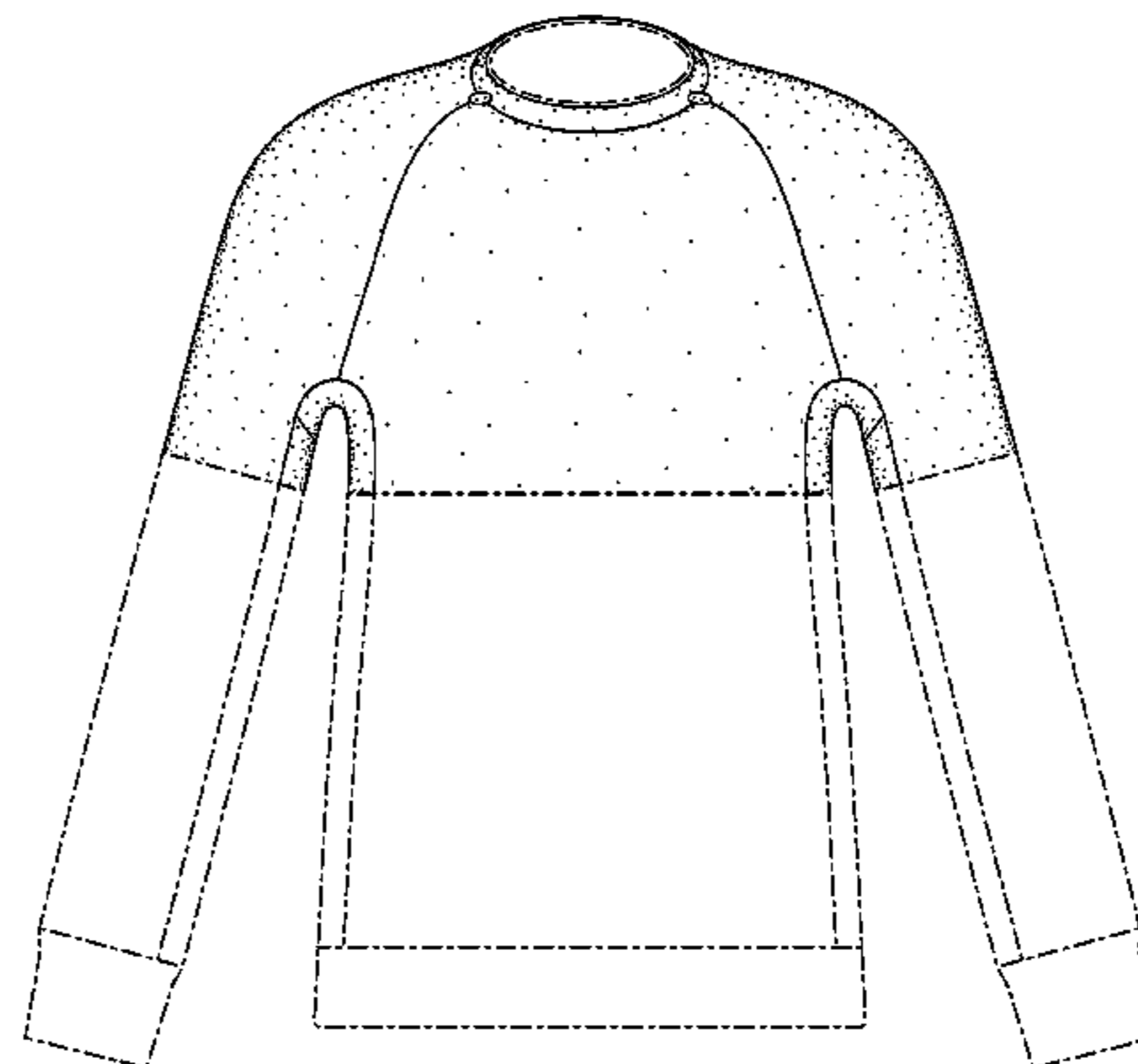
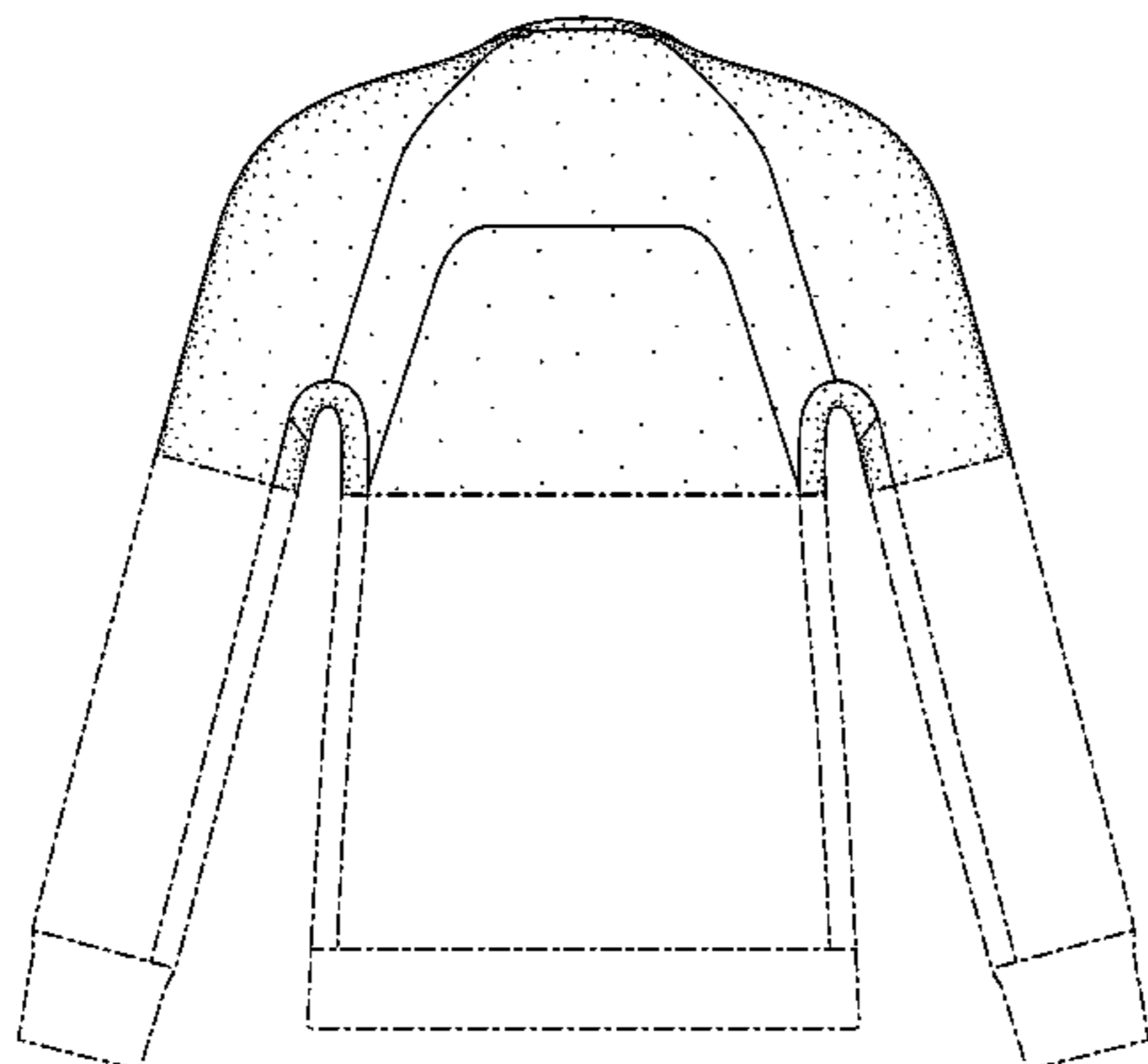
The ornamental design for a garment, as shown and described.

DESCRIPTION

FIG. 1 is a front perspective view of a garment showing my new design in an in-use configuration;
FIG. 2 is a rear perspective view thereof;
FIG. 3 is a rear view thereof;
FIG. 4 is a front view thereof;
FIG. 5 is a right side view thereof;
FIG. 6 is a left side view thereof; and,
FIG. 7 is a top view thereof.

The broken lines immediately adjacent to the shaded area represent unclaimed boundaries of the design. The unshaded regions, demarcated by broken lines, represent unclaimed portions of the garment and form no part of the claimed design. The broken lines showing the remainder of the garment are for environmental purposes only and form no part of the claimed design.

1 Claim, 7 Drawing Sheets



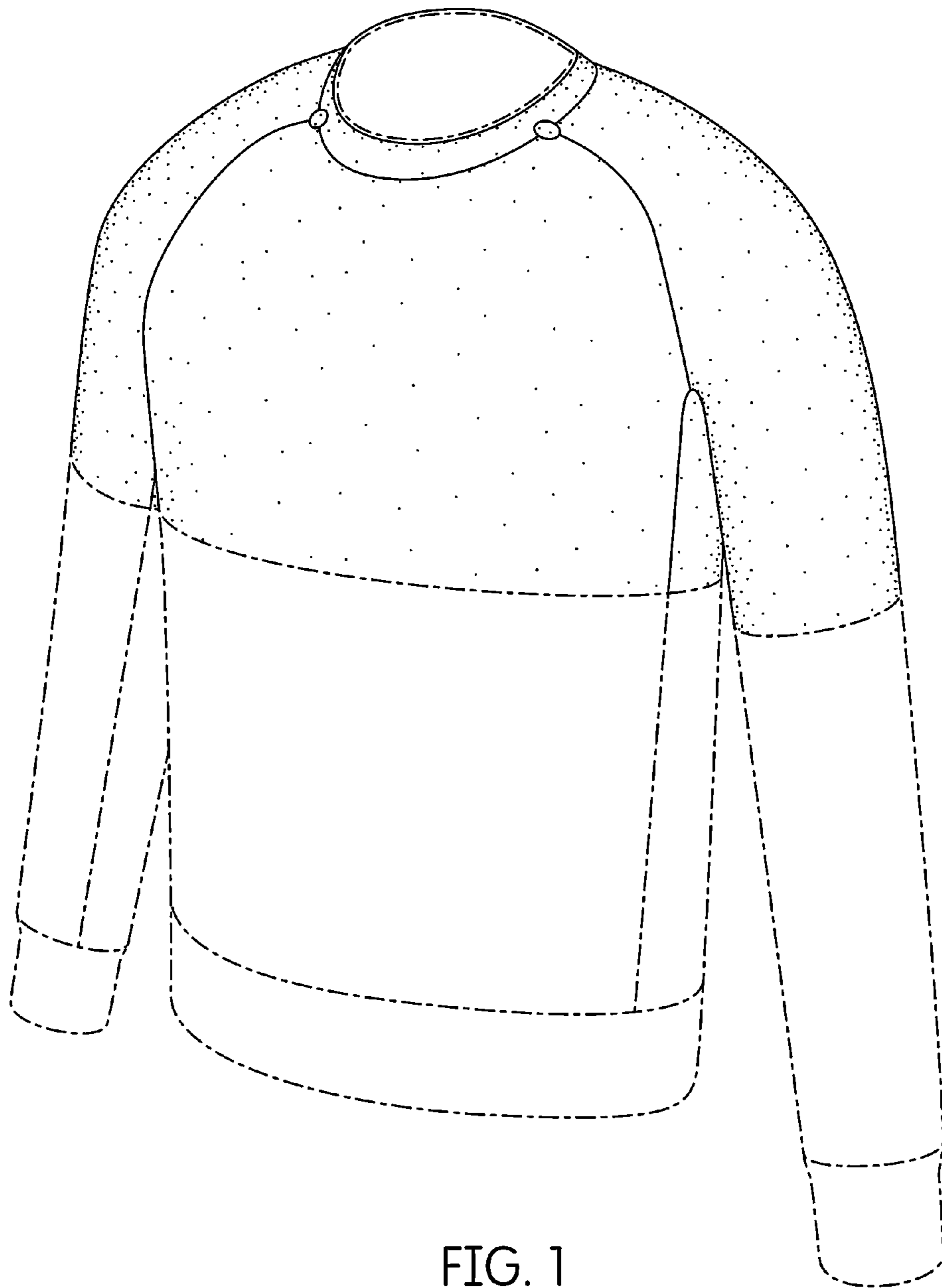


FIG. 1

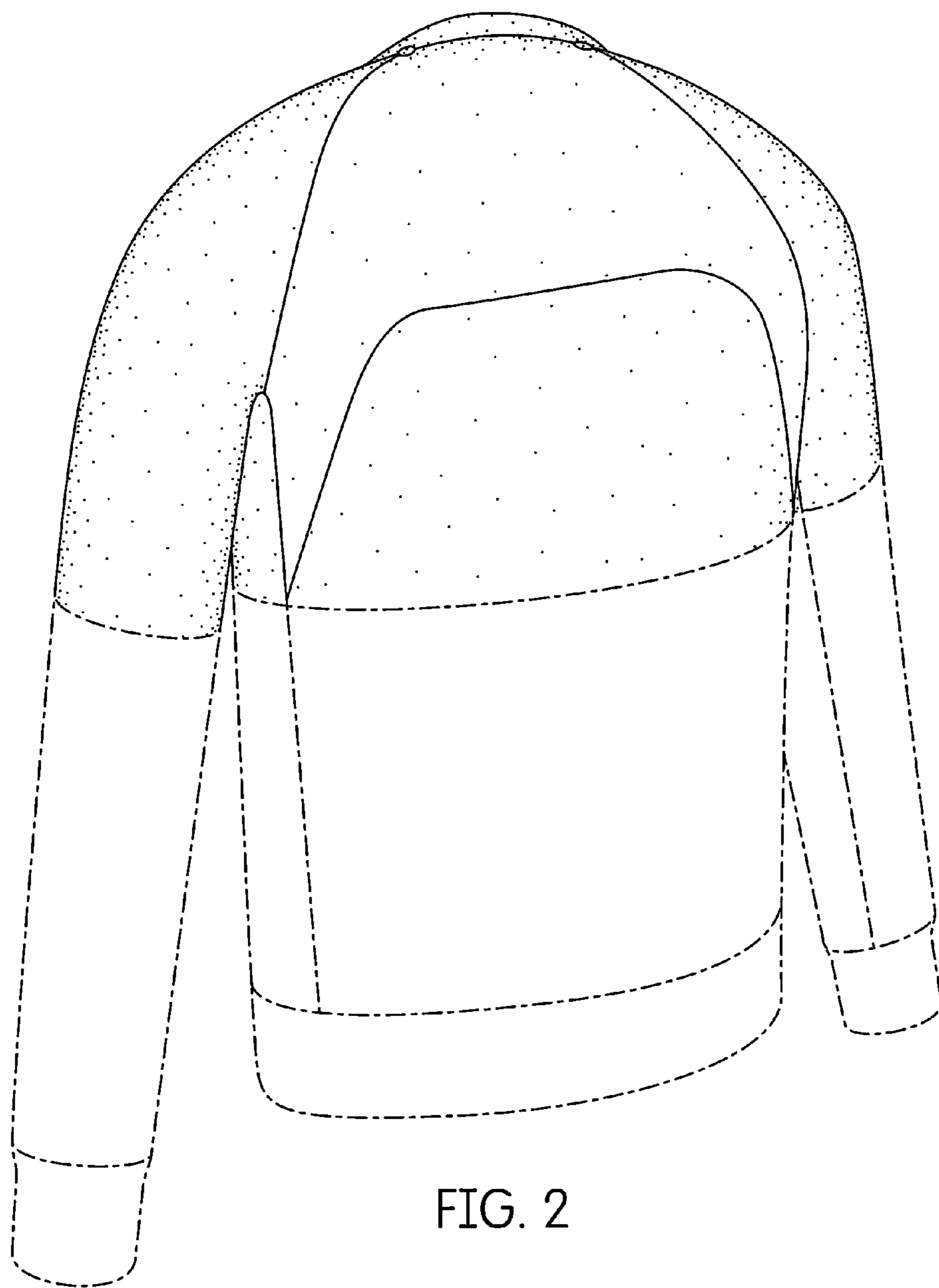


FIG. 2

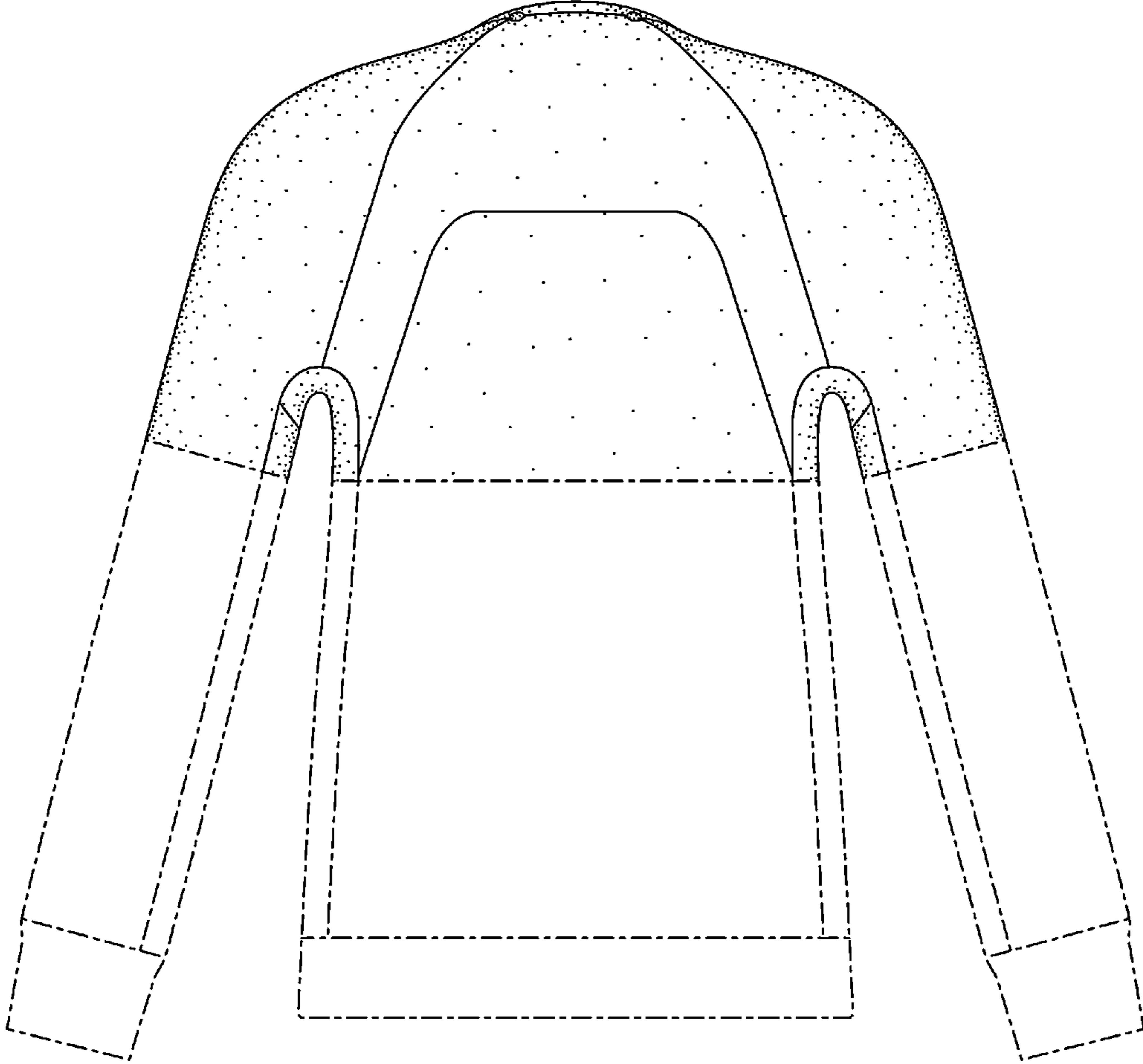


FIG. 3

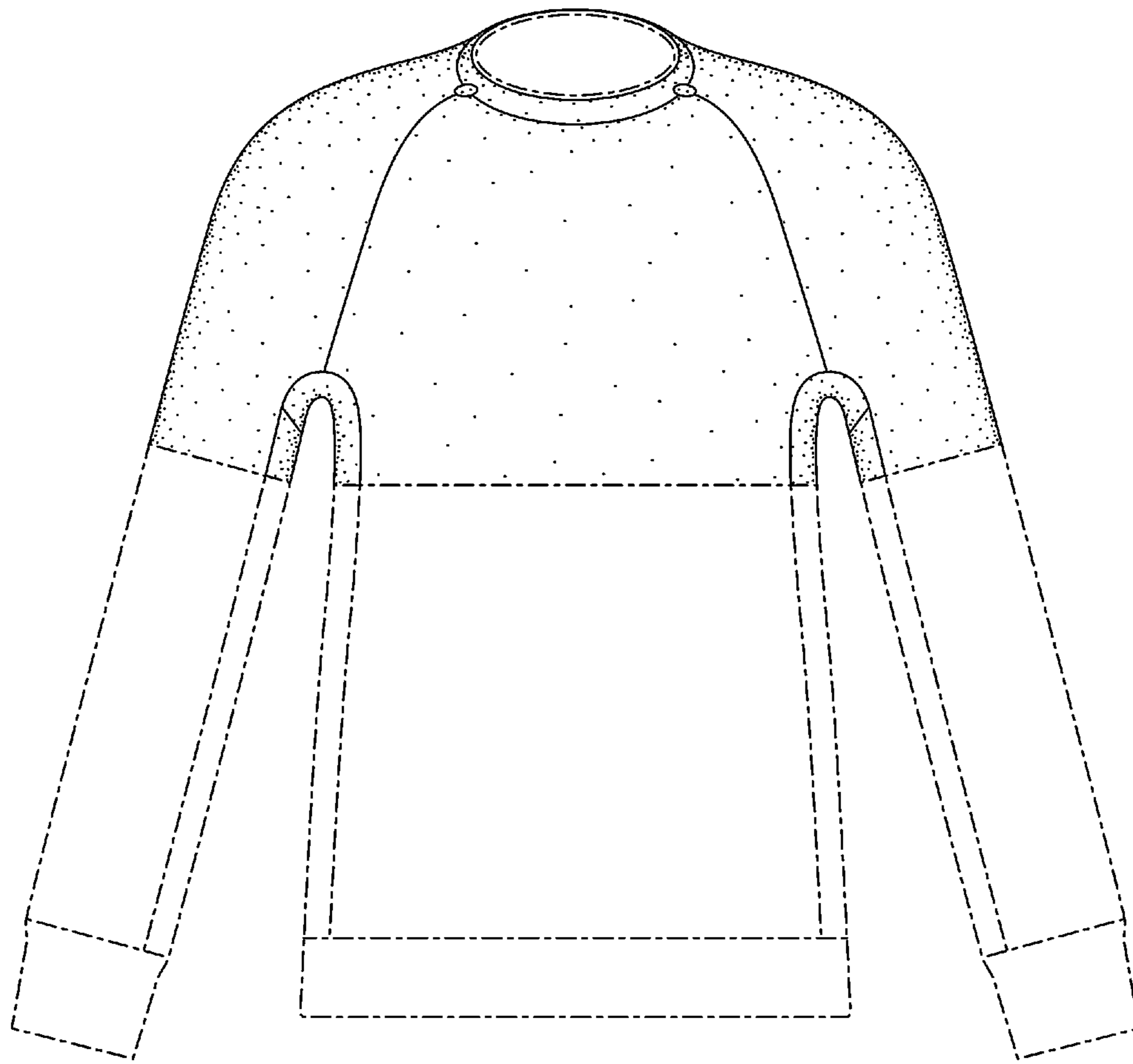


FIG. 4

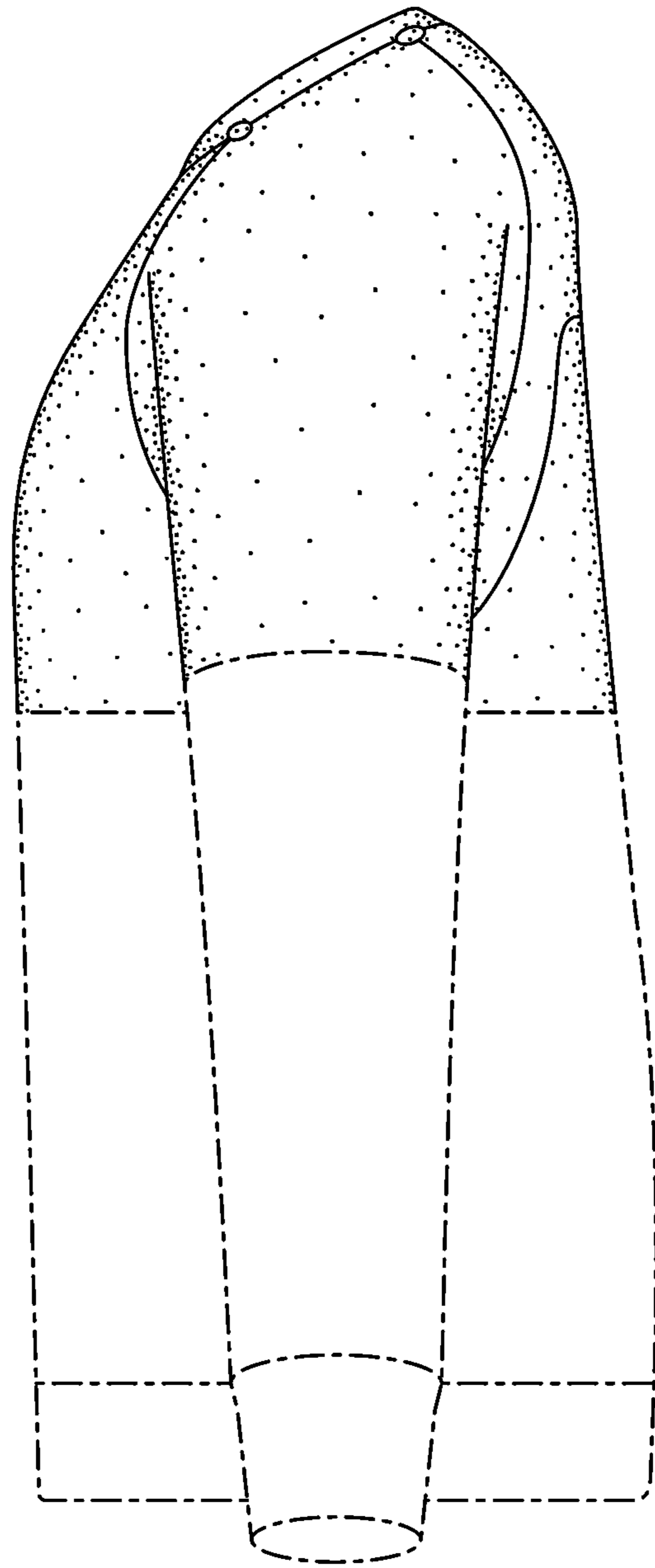


FIG. 5

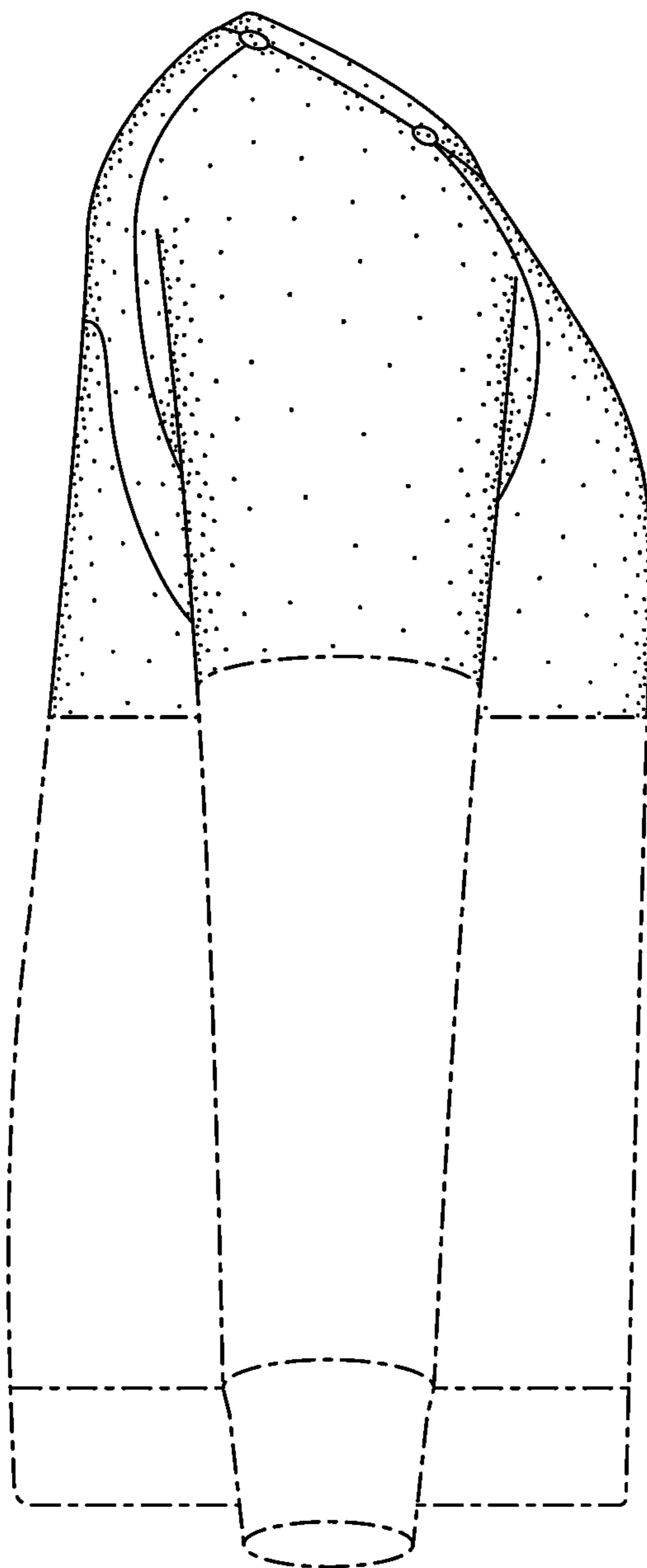


FIG. 6

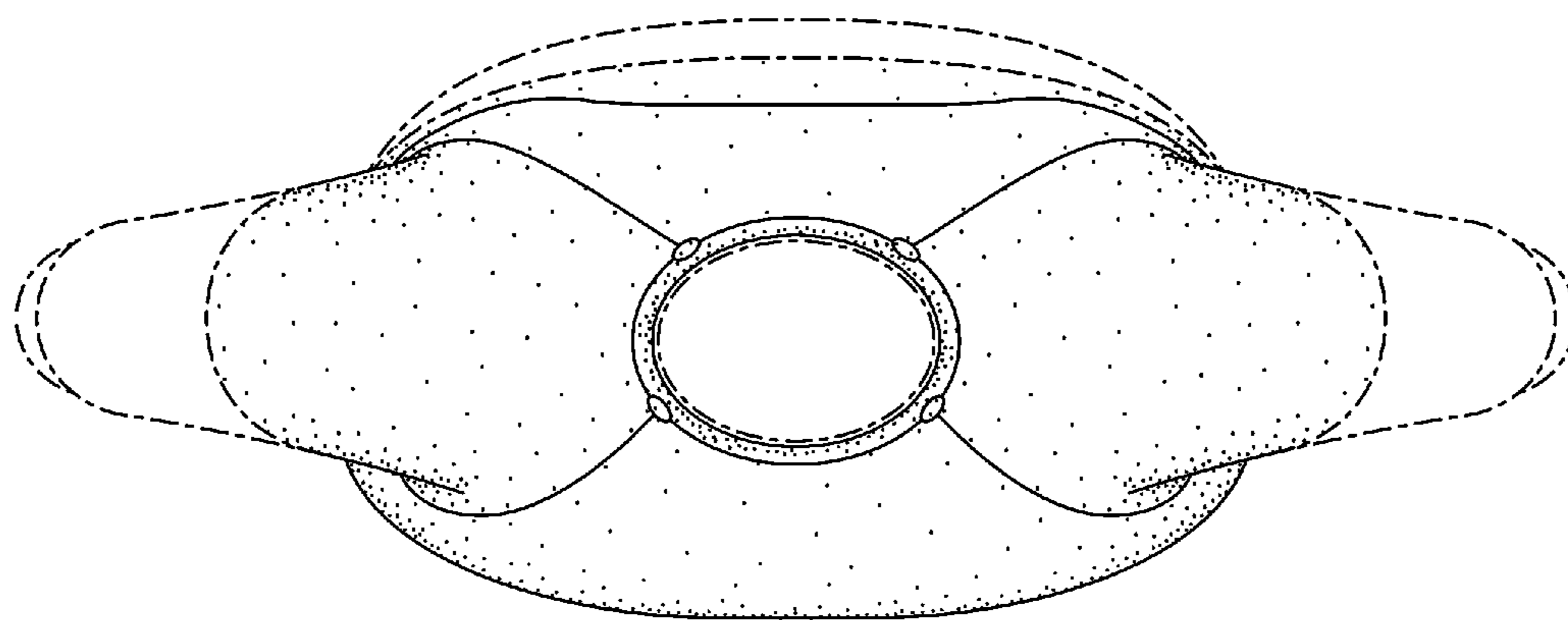


FIG. 7