



US00D744203S

(12) **United States Design Patent**  
**Murphy**

(10) **Patent No.:** **US D744,203 S**  
(45) **Date of Patent:** **\*\* Dec. 1, 2015**

- (54) **SHIRT**
- (71) Applicant: **NIKE, Inc.**, Beaverton, OR (US)
- (72) Inventor: **Lee Murphy**, Amsterdam (NL)
- (73) Assignee: **NIKE, Inc.**, Beaverton, OR (US)
- (\*\*) Term: **14 Years**
- (21) Appl. No.: **29/500,972**
- (22) Filed: **Aug. 29, 2014**
- (51) **LOC (10) Cl.** ..... **02-01**
- (52) **U.S. Cl.**  
USPC ..... **D2/840**
- (58) **Field of Classification Search**  
USPC ..... D2/717, 750, 840-850; 2/106, 113, 115  
CPC ..... A41B 9/06; A41B 1/00; A41B 1/08;  
A41D 13/0015; A41D 1/04; A41D 1/06;  
A41D 27/08; A41D 13/1245  
See application file for complete search history.

D584,881	S	*	1/2009	Curran	.....	D2/717
D604,191	S	*	11/2009	Ohara et al.	.....	D11/3
D631,230	S	*	1/2011	Ruffini	.....	D2/828
D654,659	S		2/2012	Scott-Curran		
D675,400	S	*	2/2013	Mertes	.....	D2/839
D693,095	S	*	11/2013	Grant	.....	D2/834
8,601,613	B2		12/2013	Melhart et al.		
D698,526	S		2/2014	Roberts et al.		
D703,922	S	*	5/2014	Roberts et al.	.....	D2/829
D713,621	S	*	9/2014	Pezzimenti et al.	.....	D2/828
D720,119	S	*	12/2014	Pankhurst et al.	.....	D2/717
D731,746	S	*	6/2015	Pankhurst et al.	.....	D2/717
2004/0107479	A1	*	6/2004	Dicker et al.	.....	2/227
2013/0298306	A1	*	11/2013	Turner	.....	2/115
2014/0082815	A1		3/2014	Harber et al.		

\* cited by examiner

*Primary Examiner* — George D Kirschbaum

*Assistant Examiner* — Jennifer Watkins

(74) *Attorney, Agent, or Firm* — Banner & Witcoff, Ltd.

(57) **CLAIM**

The ornamental design for a shirt, as shown and described.

**DESCRIPTION**

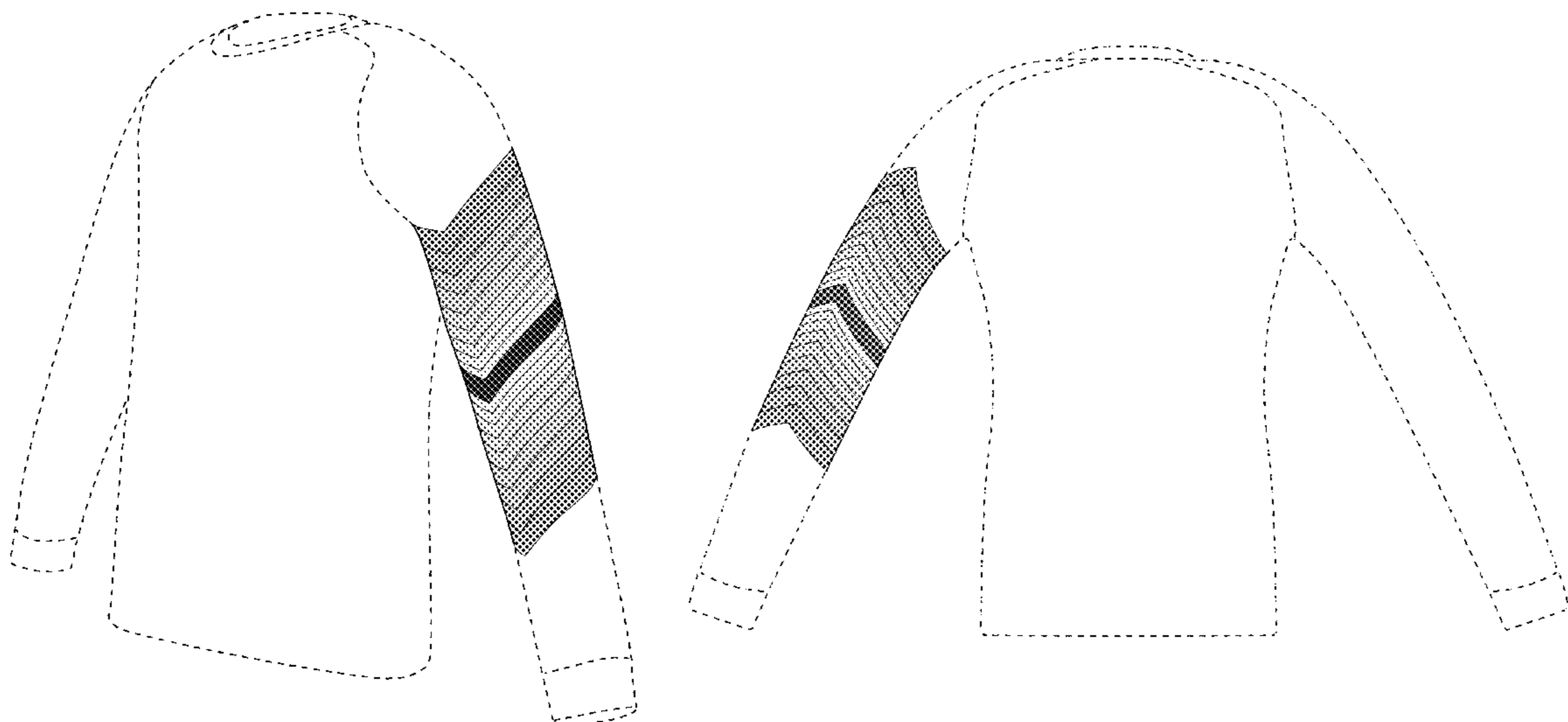
FIG. 1 is a perspective view of a shirt showing my new design; FIG. 2 is a front view thereof; FIG. 3 is a rear view thereof; FIG. 4 is a side view thereof; and, FIG. 5 is a top view thereof.

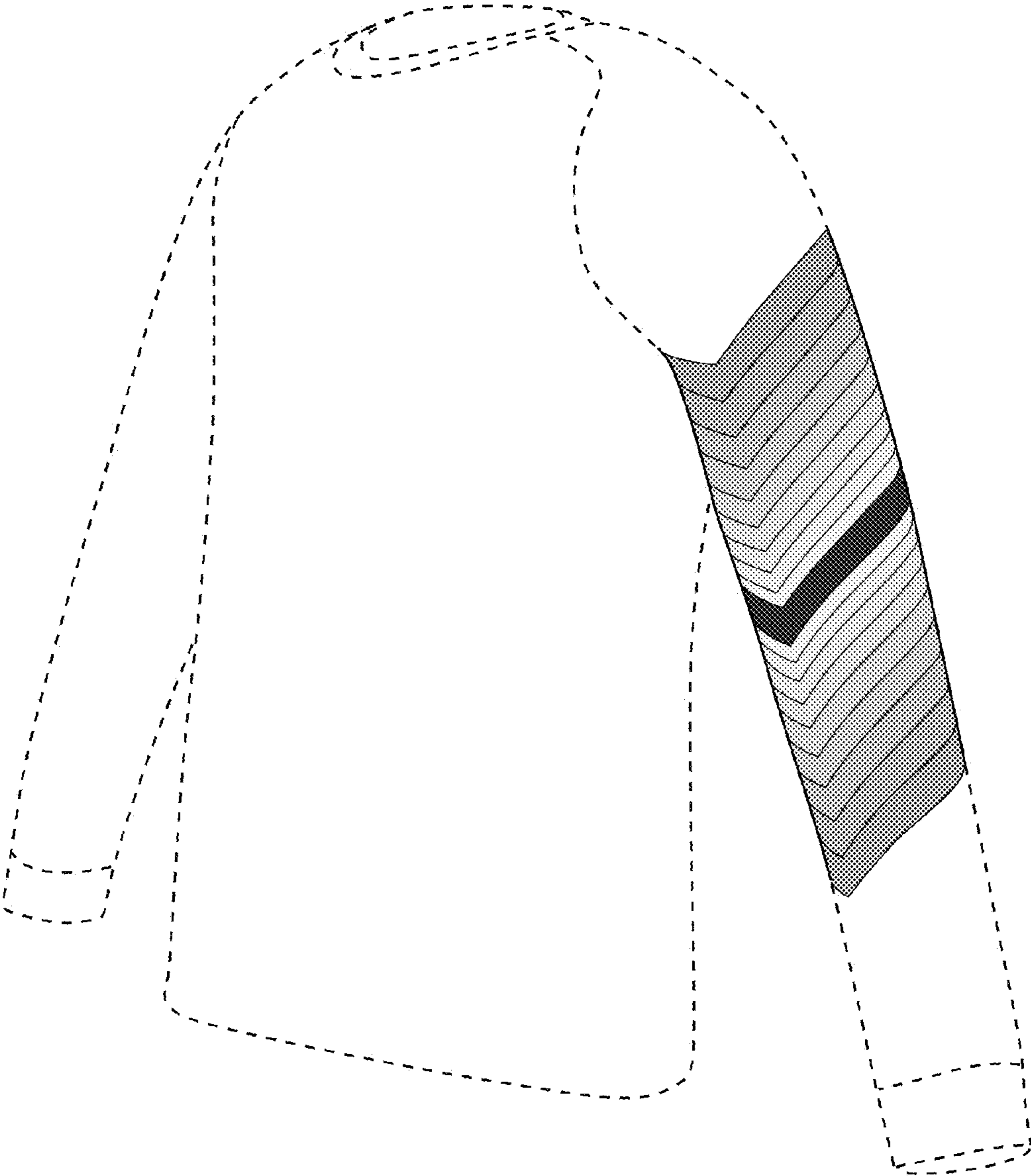
The greyscale shading depicts a contrast of appearance only and does not represent any particular color, material, texture or finish. The broken lines showing the remainder of the shirt are for environmental purposes only and form no part of the claimed design.

**1 Claim, 5 Drawing Sheets**

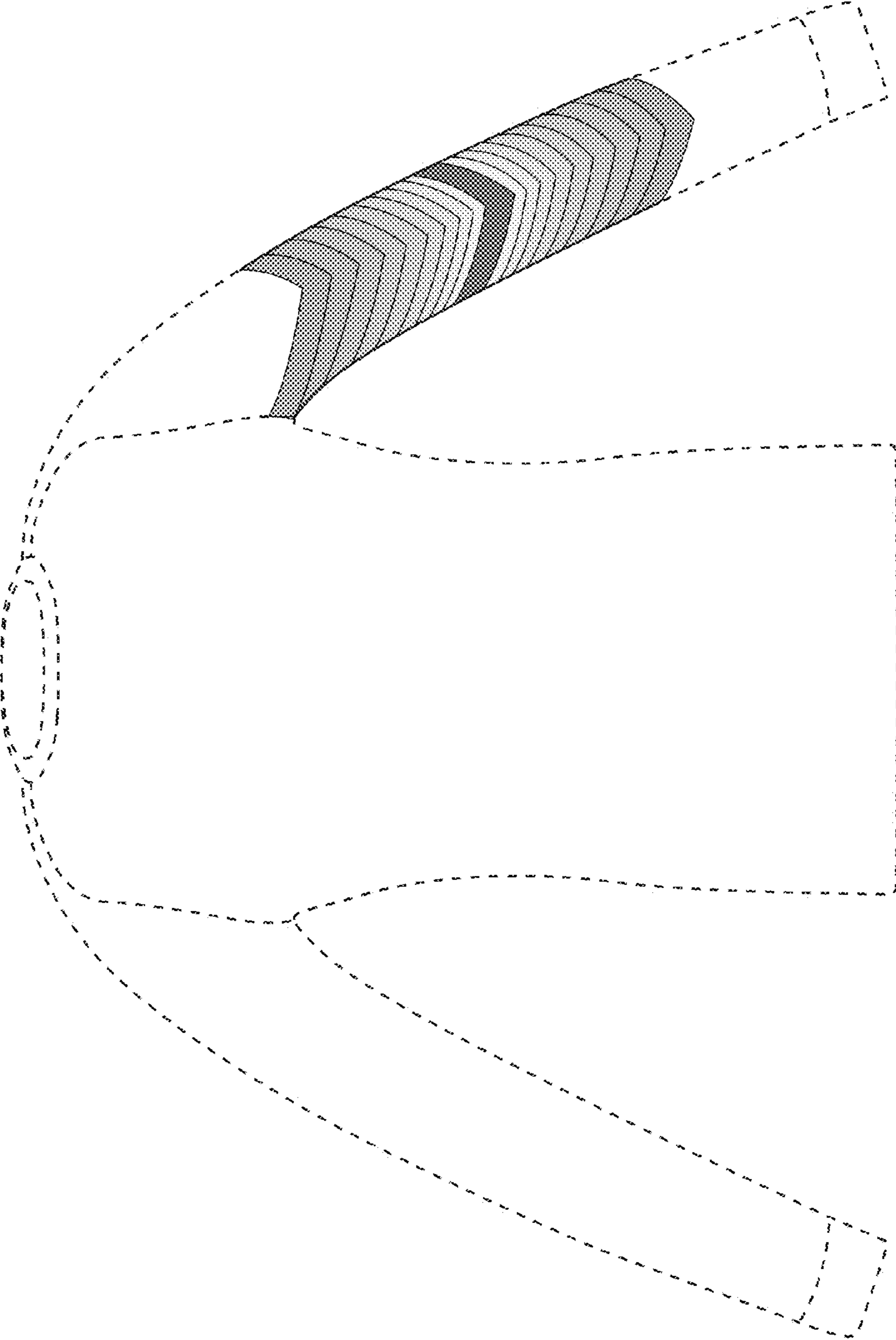
(56) **References Cited**  
U.S. PATENT DOCUMENTS

D89,318	S	*	2/1933	Sheindelman	.....	D2/750
D114,422	S		4/1939	Coleman		
D121,932	S		8/1940	Schaeffer		
D135,036	S		2/1943	Kitties		
D136,806	S		12/1943	Richman		
D136,808	S		12/1943	Richman		
2,490,701	A	*	12/1949	Nagel	.....	2/115
D314,856	S		2/1991	Heffe-Sander et al.		
5,210,877	A	*	5/1993	Newman	.....	2/456
D422,776	S		4/2000	Jackson		
D485,047	S	*	1/2004	Oya et al.	.....	D2/702
D496,522	S	*	9/2004	Oya et al.	.....	D2/702

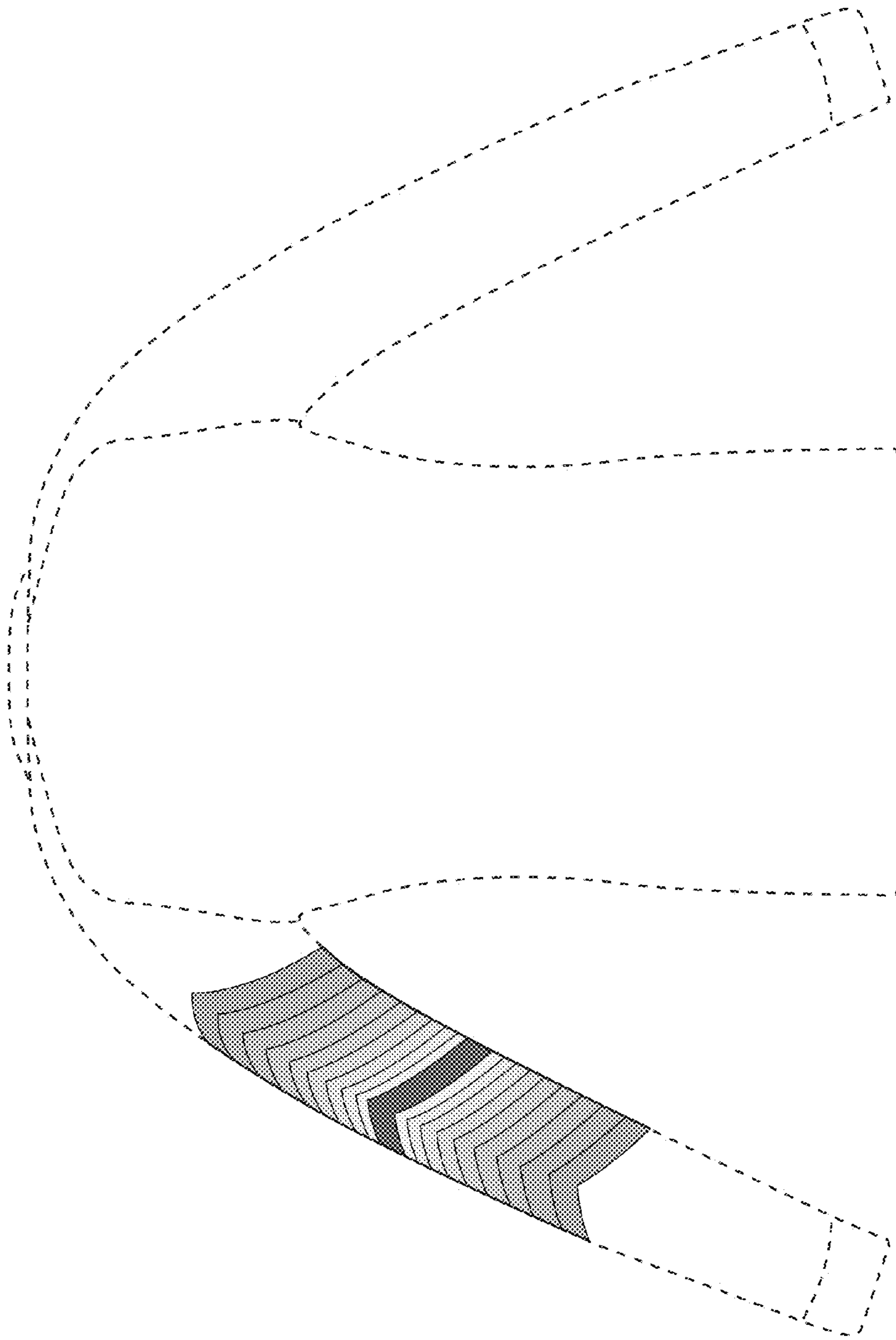




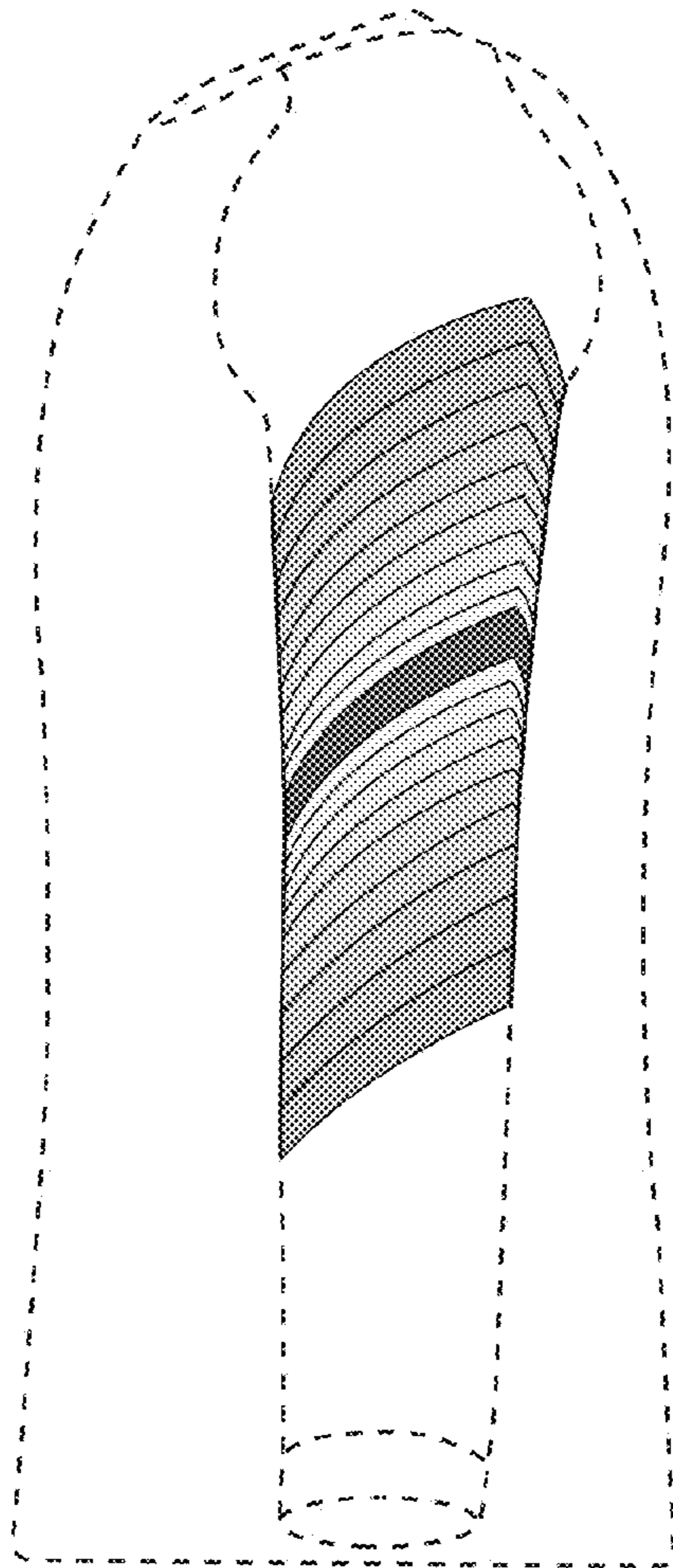
**FIG. 1**



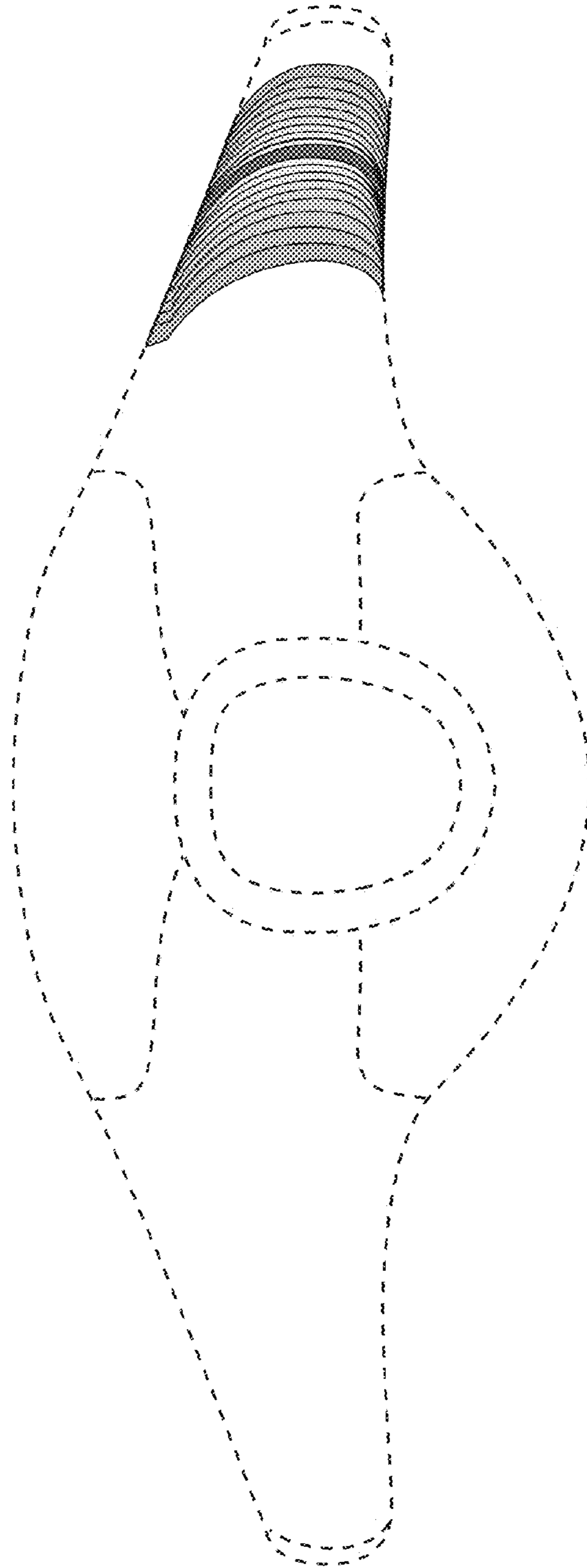
**FIG. 2**



**FIG. 3**



**FIG. 4**



**FIG. 5**