



US00D744199S

(12) **United States Design Patent**
Roscoe

(10) **Patent No.:** **US D744,199 S**
(45) **Date of Patent:** **** Dec. 1, 2015**

(54) **UPPER BODY GARMENT**

(71) Applicant: **NIKE, Inc.**, Beaverton, OR (US)

(72) Inventor: **Justin Roscoe**, Portland, OR (US)

(73) Assignee: **NIKE, Inc.**, Beaverton, OR (US)

(**) Term: **14 Years**

(21) Appl. No.: **29/517,702**

(22) Filed: **Feb. 16, 2015**

(51) **LOC (10) Cl.** **02-02**

(52) **U.S. Cl.**

USPC **D2/750**

(58) **Field of Classification Search**

USPC D2/717, 731, 749, 750, 755, 828-831,
D2/833, 834, 836, 839, 840, 841

See application file for complete search history.

(56) **References Cited**

U.S. PATENT DOCUMENTS

641,090	A *	1/1900	Elbaum	A41B 1/00	2/122
D59,959	S	12/1921	Homel et al.			
2,666,314	A *	1/1954	Capper	A41D 1/04	66/176
D271,154	S *	11/1983	Dowling	D2/847	
D306,511	S	3/1990	Jones			
D510,794	S *	10/2005	Rice	D2/840	
D514,776	S *	2/2006	Green, Jr.	D2/840	
D517,282	S	3/2006	Tanner et al.			
D526,763	S	8/2006	Tanner et al.			
D527,868	S *	9/2006	Wager	D2/828	
D531,783	S	11/2006	Collier			
D539,508	S	4/2007	Rogers et al.			
D564,182	S *	3/2008	Wiens	D2/840	
D618,443	S	6/2010	Hall et al.			
D632,059	S	2/2011	Abrams et al.			
D641,138	S	7/2011	Santo et al.			
D654,664	S	2/2012	Evans et al.			
D694,993	S	12/2013	Tanaka et al.			

D698,123	S *	1/2014	Yu	D2/840	
D698,124	S *	1/2014	Yu	D2/840	
D698,524	S	2/2014	Roberts et al.			

(Continued)

FOREIGN PATENT DOCUMENTS

DE	2929418	A1 *	2/1981	A41D 1/04	
FR	EP 2526789	A1 *	11/2012	A41D 1/04	

OTHER PUBLICATIONS

Nike Apparel Catalog, 2010 Fall Apparel p. 25, published date unknown, but prior to the filing date of the present application, NIKE, Inc., USA.

(Continued)

Primary Examiner — Rashida Johnson

(74) *Attorney, Agent, or Firm* — Banner & Witcoff, Ltd.

(57) **CLAIM**

The ornamental design for a upper body garment, as shown and described.

DESCRIPTION

FIG. 1 is a rear right perspective view of a upper body garment showing my new design in an in-use configuration;

FIG. 2 is a rear left perspective view thereof;

FIG. 3 is a rear view thereof;

FIG. 4 is a front view thereof;

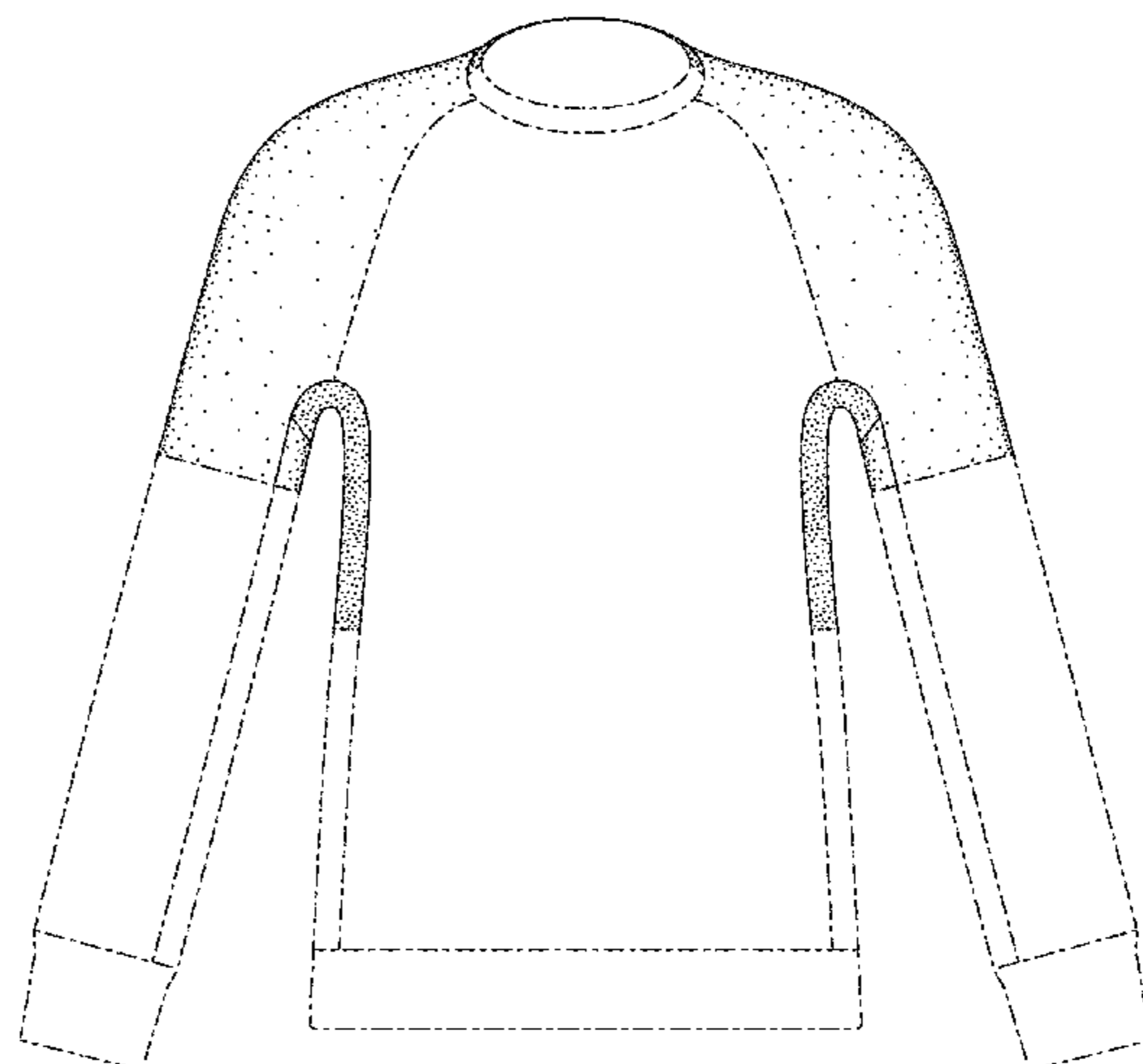
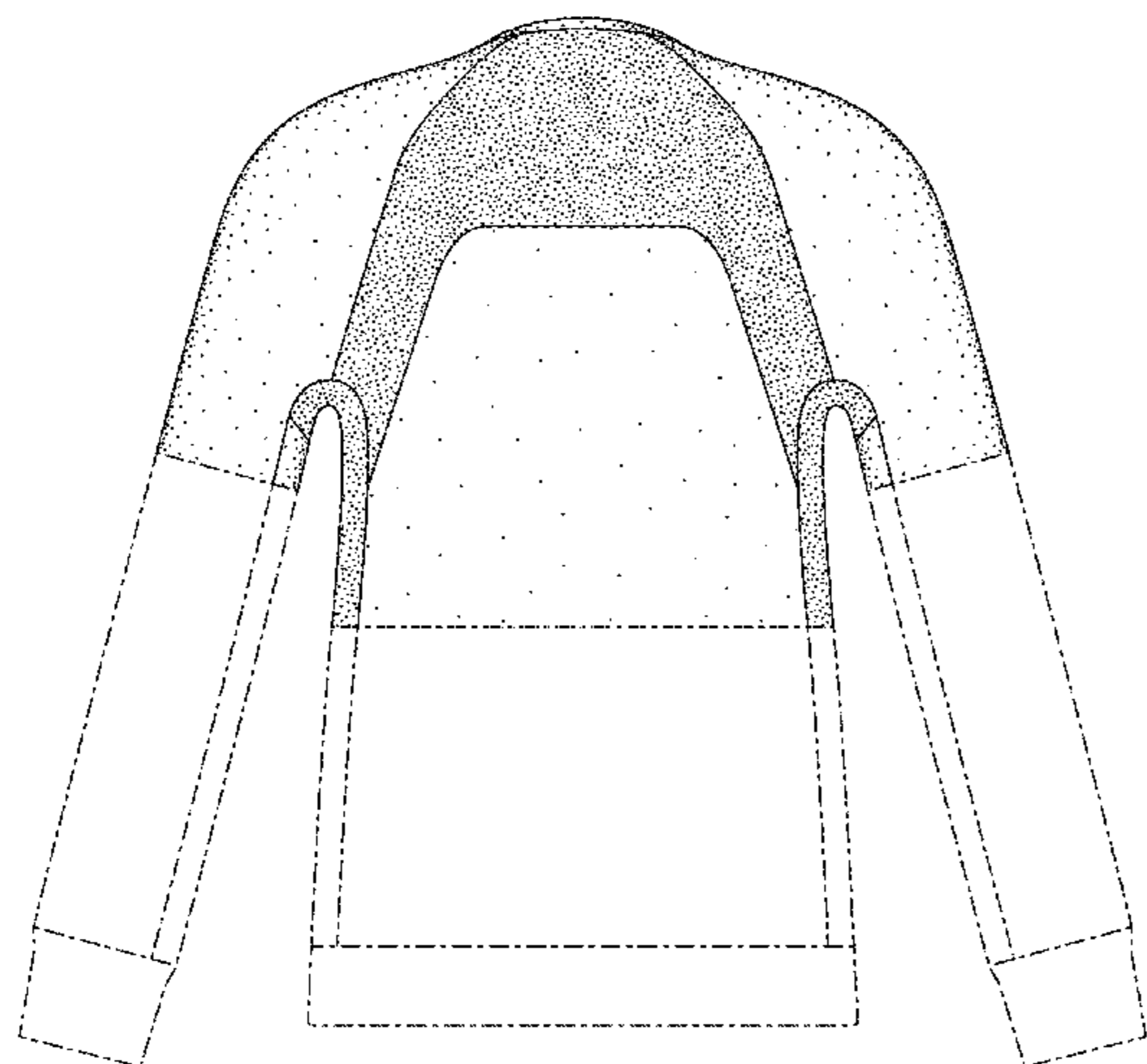
FIG. 5 is a left side view thereof;

FIG. 6 is a right side view thereof; and,

FIG. 7 is a top view thereof.

The broken lines immediately adjacent to the shaded area represent unclaimed boundaries of the design. The unshaded regions, demarcated by broken lines, represent unclaimed portions of the upper body garment and form no part of the claimed design. The contrast in shading represents a contrast in appearance only and does not represent any particular color, material, texture or finish. The broken lines showing the remainder of the upper body garment are for environmental purposes only and form no part of the claimed design.

1 Claim, 7 Drawing Sheets



(56)

References Cited

U.S. PATENT DOCUMENTS

D698,525 S 2/2014 Roberts et al.
2014/0000004 A1* 1/2014 Baron A41B 1/00
2/69

OTHER PUBLICATIONS

Nike Apparel Catalog, 2010 Fall Performance Apparel p. 12, published date unknown, but prior to the filing date of the present application, NIKE, Inc., USA.

Nike Apparel Catalog, 2010 Fall Performance Apparel p. 15, published date unknown, but prior to the filing date of the present application, NIKE, Inc., USA.

Nike Apparel Catalog, 2010 Fall Performance Apparel p. 84, published date unknown, but prior to the filing date of the present application, NIKE, Inc., USA.

Nike Apparel Catalog, 2011 Fall Men's Performance Catalog p. 1, published date unknown, but prior to the filing date of the present application, NIKE, Inc., USA.

Nike Apparel Catalog, 2011 Spring Men's Performance Apparel p. 64, published date unknown, but prior to the filing date of the present application, NIKE, Inc., USA.

Nike Apparel Catalog, 2011 Spring Men's Performance Apparel p. 66, published date unknown, but prior to the filing date of the present application, NIKE, Inc., USA.

* cited by examiner

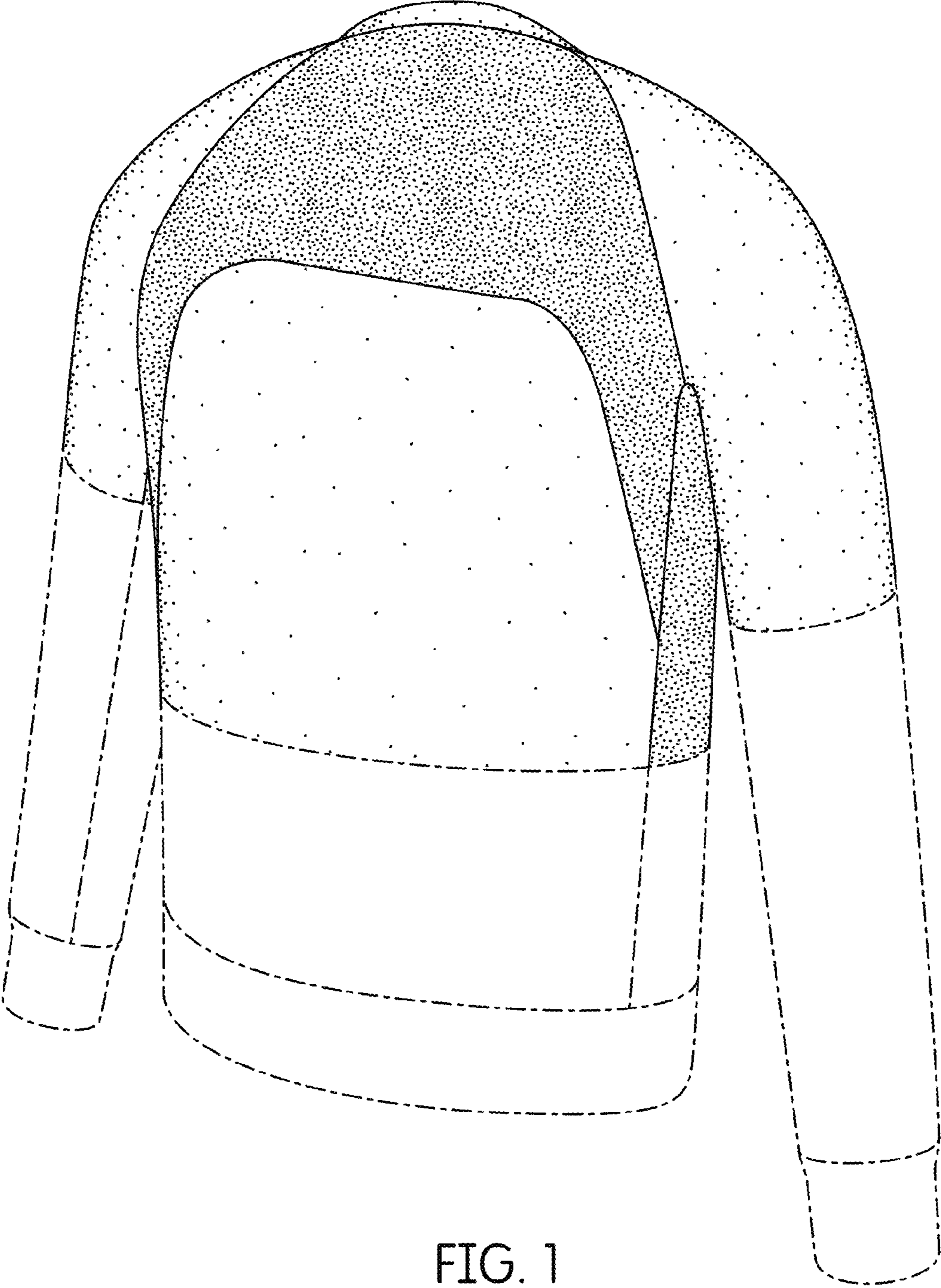
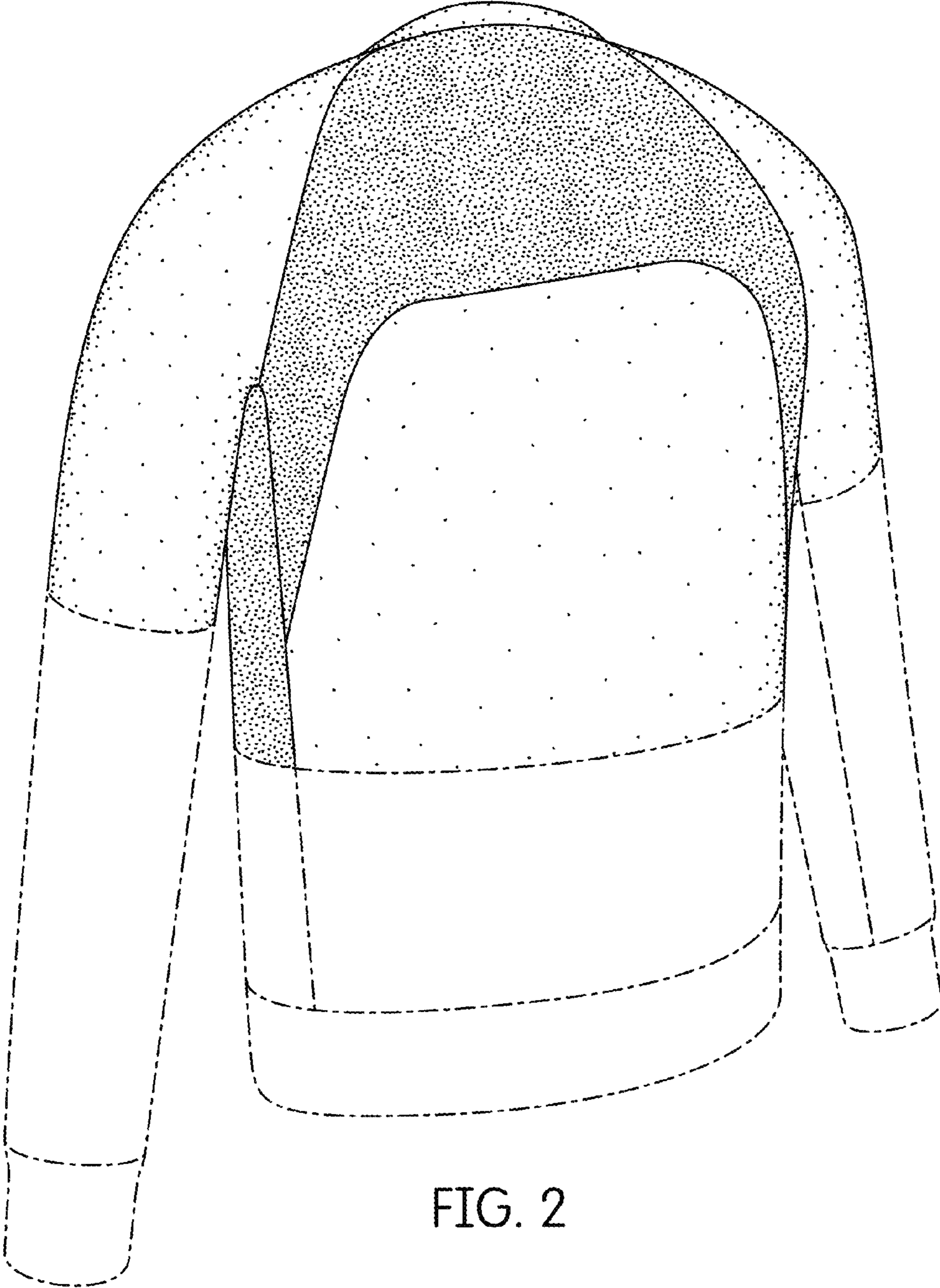


FIG. 1



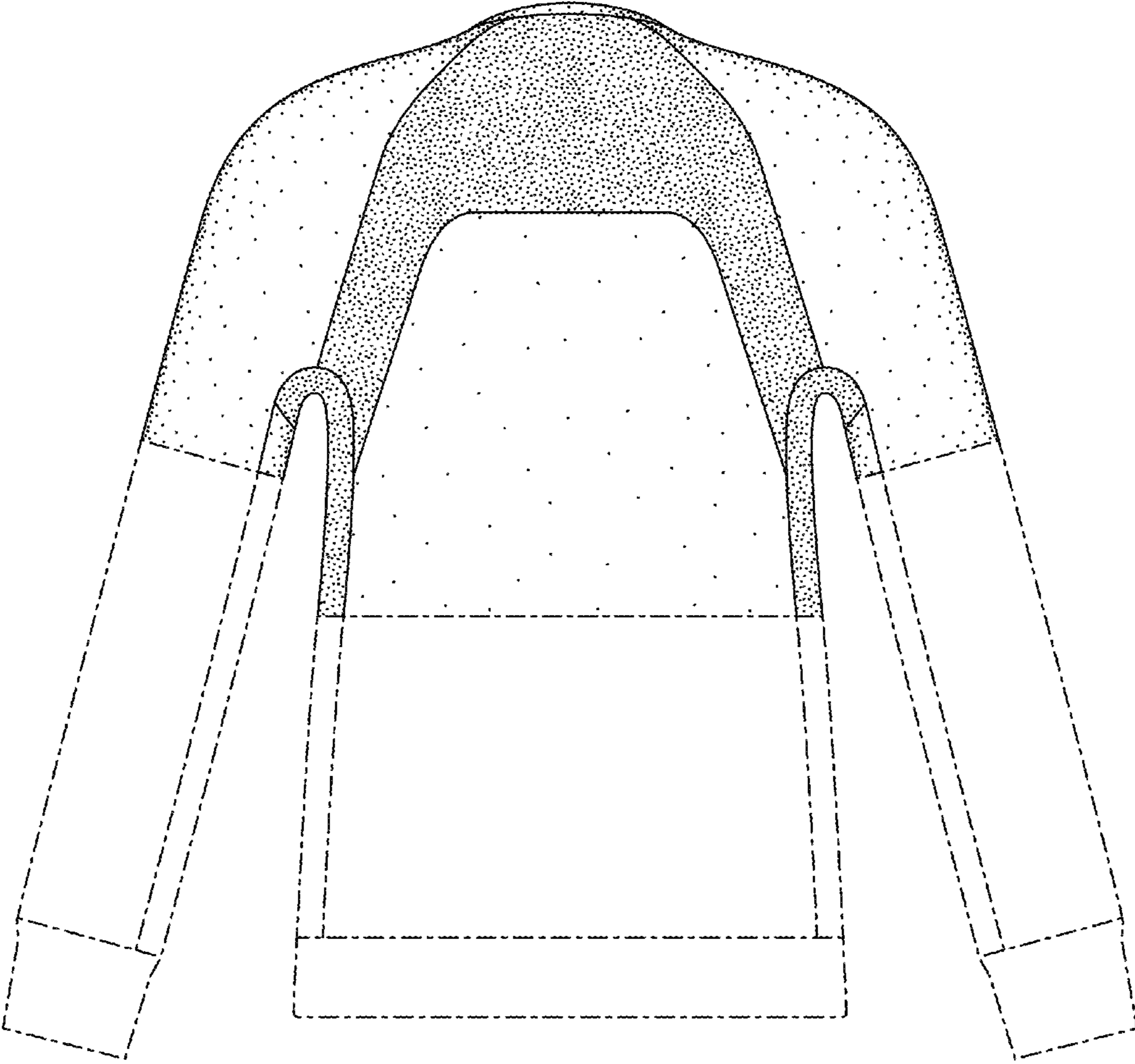


FIG. 3

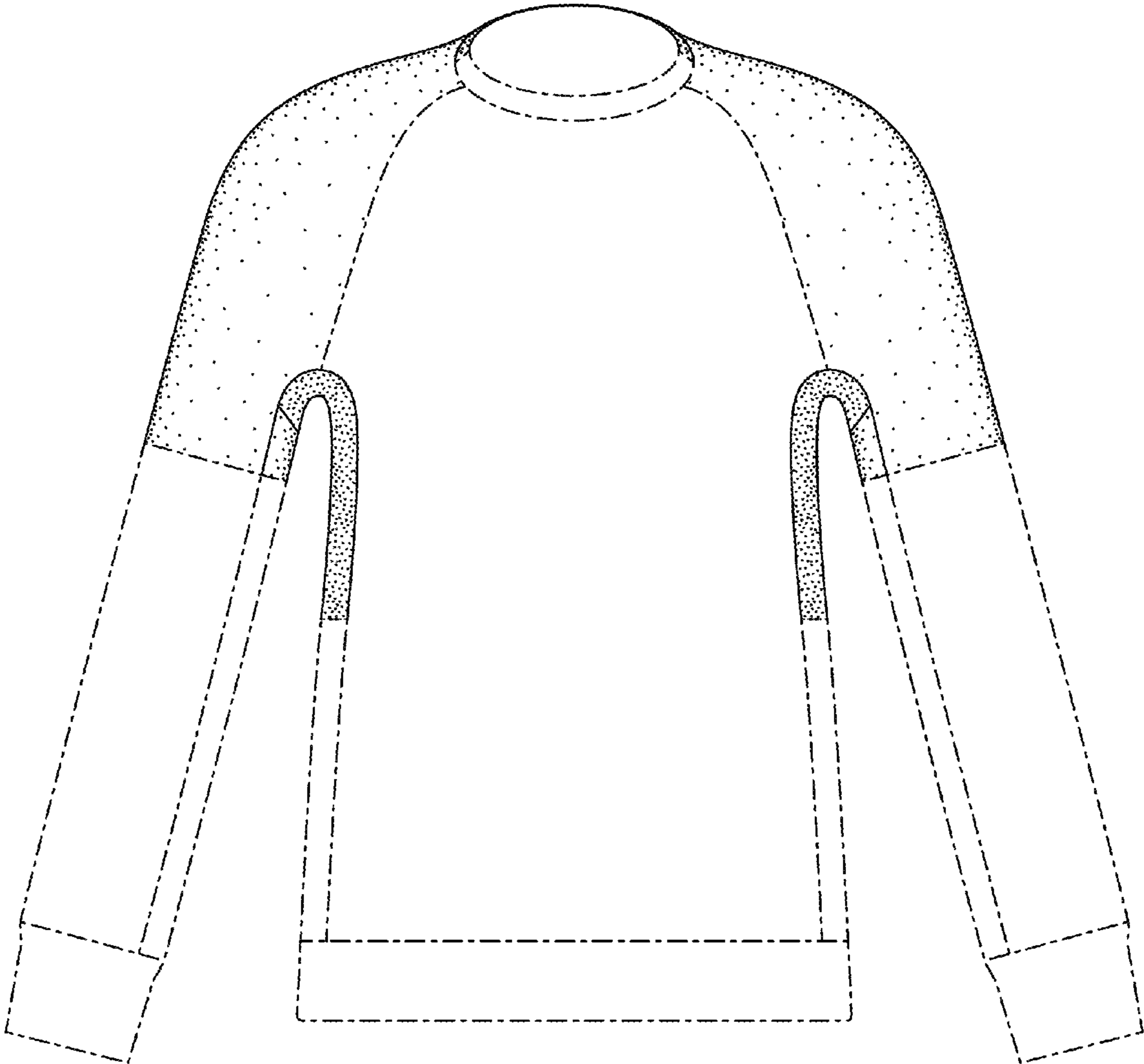


FIG. 4

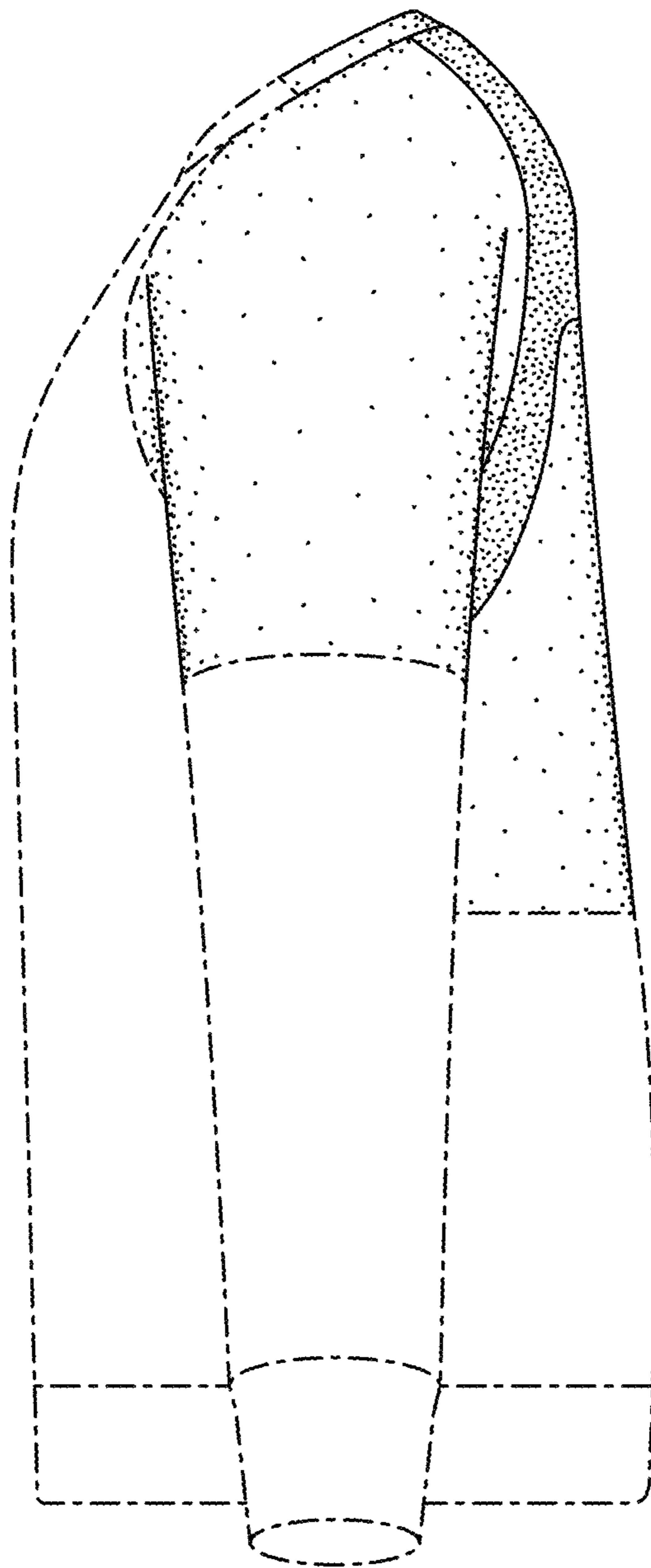


FIG. 5

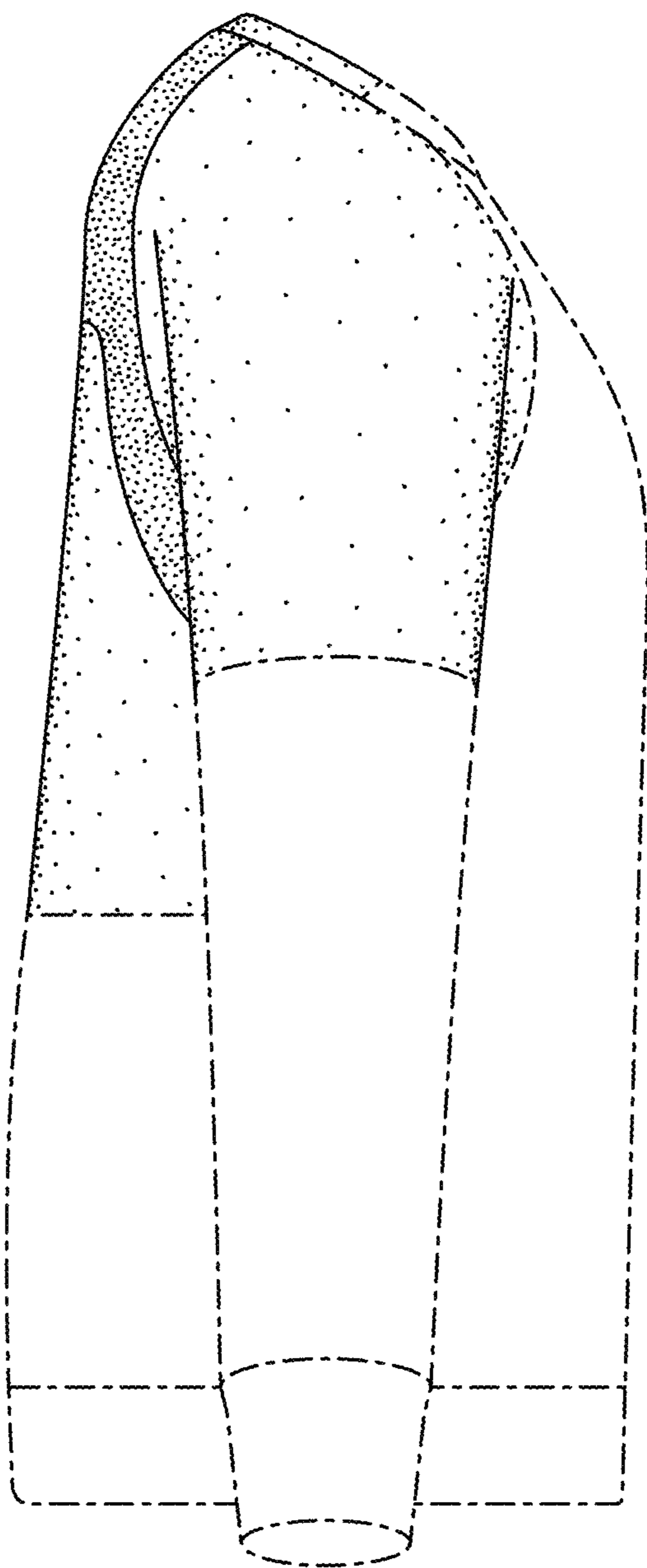


FIG. 6

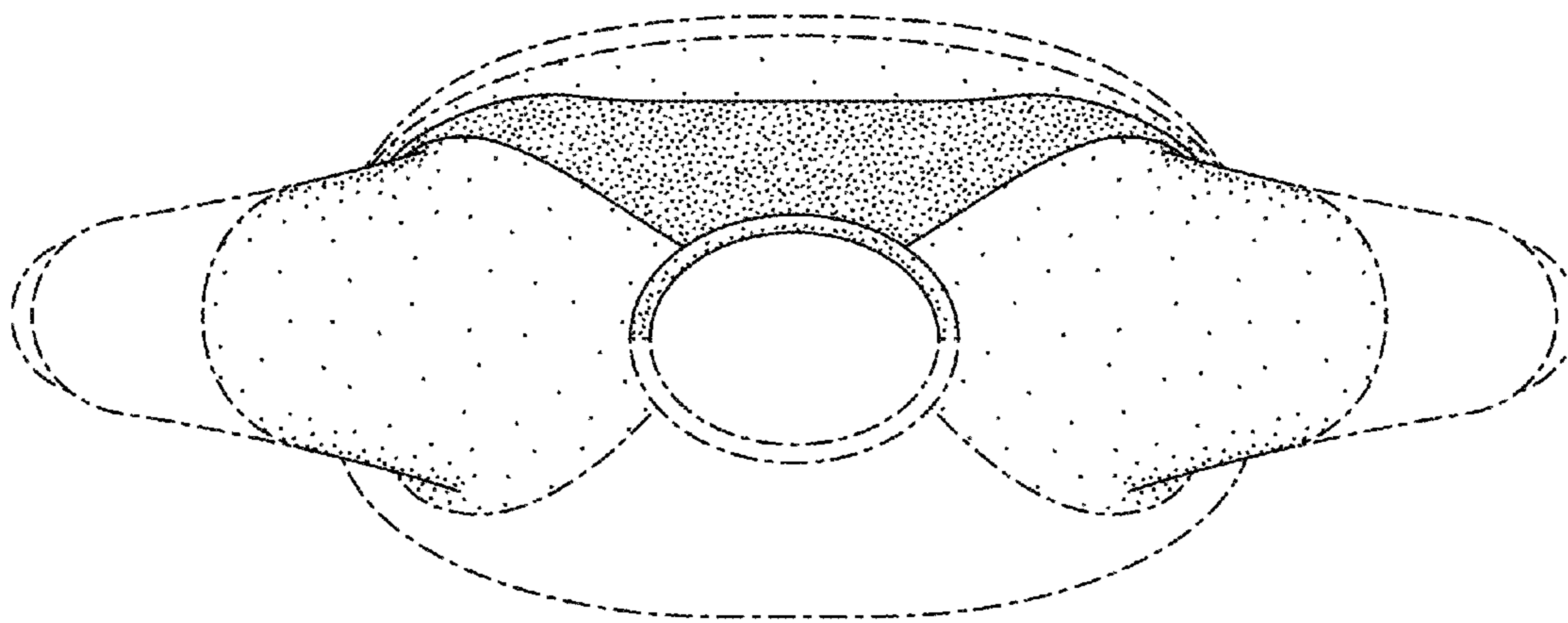


FIG. 7