

US00D744197S

(12) **United States Design Patent**  
**Orehek et al.**

(10) **Patent No.:** **US D744,197 S**  
(45) **Date of Patent:** **\*\* Dec. 1, 2015**

- (54) **PACKAGED SET OF MEDICAL SCRUBS**
- (71) Applicants: **Errol M. Orehek**, Commack, NY (US);  
**Robert J. Goldsher**, Patchogue, NY (US); **Jeffrey A. Feuer**, Longwood, FL (US)
- (72) Inventors: **Errol M. Orehek**, Commack, NY (US);  
**Robert J. Goldsher**, Patchogue, NY (US); **Jeffrey A. Feuer**, Longwood, FL (US)
- (73) Assignee: **Prescient Logistics, LLC**, Sanford, FL (US)
- (\*\*) Term: **14 Years**
- (21) Appl. No.: **29/475,857**
- (22) Filed: **Dec. 6, 2013**

**Related U.S. Application Data**

- (63) Continuation-in-part of application No. 29/440,974, filed on Dec. 28, 2012.
- (51) **LOC (10) Cl.** ..... **02-02**
- (52) **U.S. Cl.**  
USPC ..... **D2/739**
- (58) **Field of Classification Search**  
USPC ..... D19/3; D2/712, 715, 717, 718, 720, D2/731, 738, 739, 742, 743, 744, 747, 748, D2/776, 841, 847, 848, 857, 862, 867, 881, D2/885, 901, 999; 2/22, 23, 71, 72, 79, 87, 2/90, 94, 95, 106, 108, 113, 114, 115, 2/121, 227, 228, 238, 242, 247, 900, 912, 2/911; D3/205, 243, 303, 203.1, 203.6, D3/203.7, 203.8; D9/702, 703, 705, 707, D9/709, 710, 720, 721, 414, 420, 422, 423, D9/433  
CPC ..... A41D 13/12; A41D 13/1236; A41D 13/1245; A41D 13/1218; A41D 13/1254; A41D 13/1263

See application file for complete search history.

(56) **References Cited**

U.S. PATENT DOCUMENTS

3,310,225	A *	3/1967	Hoblit et al. ....	383/86
3,429,433	A *	2/1969	Holt .....	206/216
3,648,109	A *	3/1972	Tims et al. ....	361/223
5,097,534	A *	3/1992	Viemeister et al. ....	2/69
5,265,278	A *	11/1993	Watanabe .....	2/174
D364,493	S *	11/1995	Williams .....	D2/714
5,639,523	A *	6/1997	Ellis .....	428/34.2
6,059,100	A *	5/2000	Jones .....	206/210
D448,917	S *	10/2001	Grant .....	D2/867
D456,112	S *	4/2002	Dilworth et al. ....	D2/743
D457,290	S *	5/2002	Thompson .....	D2/743
D474,680	S *	5/2003	Ling et al. ....	D9/705
D476,137	S *	6/2003	McFarlane .....	D2/728
7,219,443	B2 *	5/2007	Czaplewski et al. ....	36/7.3
D564,730	S *	3/2008	Farrell .....	D2/720
D606,855	S *	12/2009	Jo et al. ....	D9/423
D621,587	S *	8/2010	Tatroe et al. ....	D2/743
D627,137	S *	11/2010	Keavey et al. ....	D2/743
D632,460	S *	2/2011	Kinder .....	D2/717
D638,610	S *	5/2011	Tatroe et al. ....	D2/743
D639,020	S *	6/2011	Tatroe et al. ....	D2/743
D639,021	S *	6/2011	Tatroe et al. ....	D2/743
D639,022	S *	6/2011	Tatroe et al. ....	D2/743
D666,777	S *	9/2012	Dhillon .....	D29/122
D668,949	S *	10/2012	Hipperson et al. ....	D9/423
D687,295	S *	8/2013	Park .....	D9/420

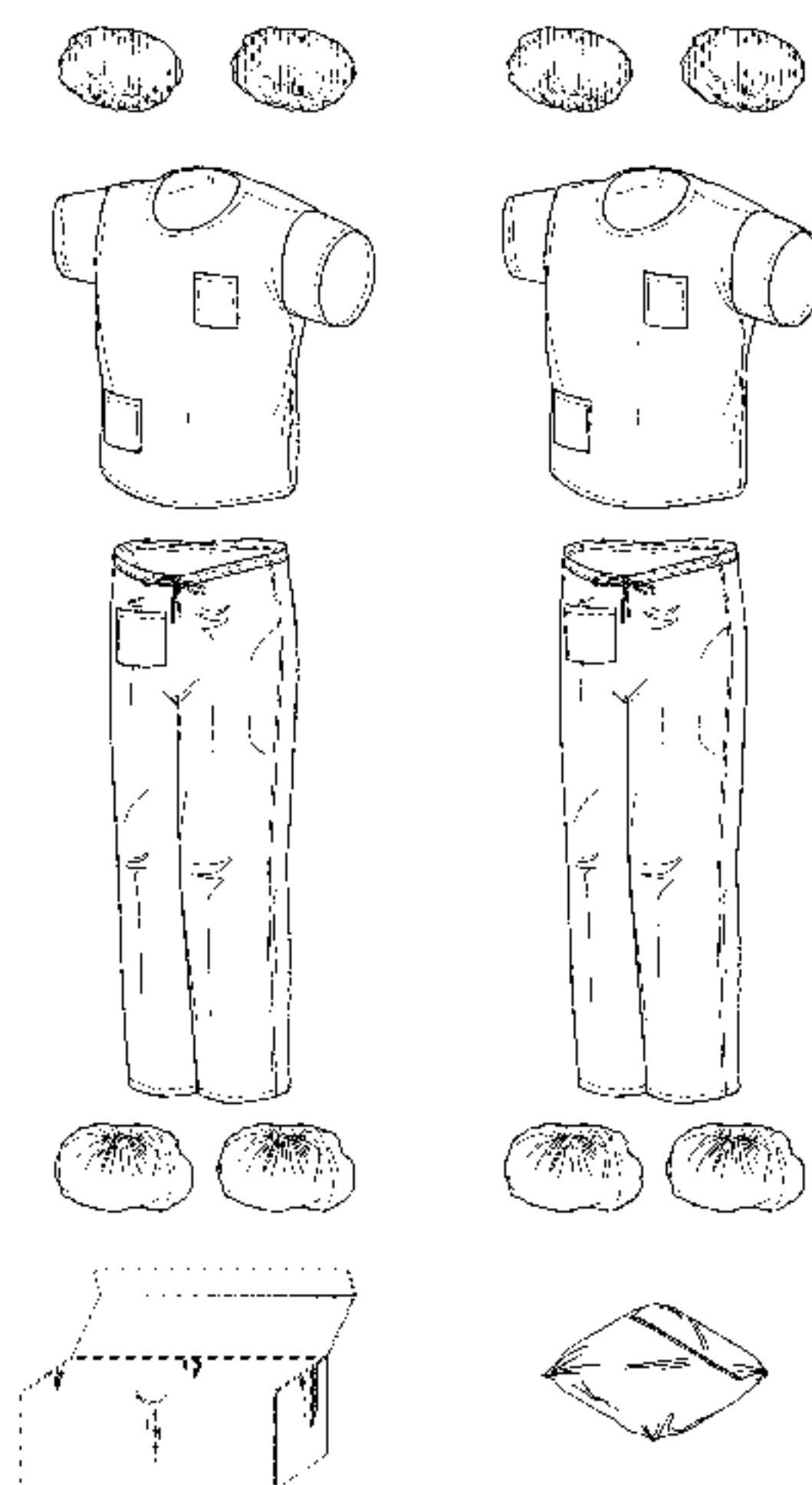
OTHER PUBLICATIONS

Overstock. <URL: <http://www.overstock.com/Health-Beauty/Medline-Round-Neck-Scrub-Shirt-SMS-Blue-XL-Pack-of-30/1930862/product.html?refccid=ZVI2JIEKMZDLOSKEWRPY4KWKZY&searchidx=6>>. Visited Dec. 19, 2014. Disposable 1-pocket scrub shirt shown with 1-pocket pant and shoe cover.\*

Saraglove. <URL: [http://www.saraglove.com/Blue-Disposable-Bouffant-Hair-Net-Caps-p/13-230bl.htm?sku=13+230BL19+C2&Click=6866&vfsku=13.230BL19.C2&gpla=pla&glid=Cj0KEQiAts-kBRcBgrXc1rnXw7MBEiQAnFqTdvM3XdJmd-30j\\_AFllovZSA75KxpgQQgB8DclkeP\\_jlAaAtsx8P8HAQ](http://www.saraglove.com/Blue-Disposable-Bouffant-Hair-Net-Caps-p/13-230bl.htm?sku=13+230BL19+C2&Click=6866&vfsku=13.230BL19.C2&gpla=pla&glid=Cj0KEQiAts-kBRcBgrXc1rnXw7MBEiQAnFqTdvM3XdJmd-30j_AFllovZSA75KxpgQQgB8DclkeP_jlAaAtsx8P8HAQ)>. Visited Dec. 19, 2014. Disposable scrub hair net.\*

Scrubs & Beyond. <URL: <http://www.scrubsandbeyond.com/Jockey-mens-7-pocket-top-and-7-pocket-pant-262520.html>>. Visited Dec. 19, 2014. Scrub top with multiple pockets, and pants with front pocket.\*

\* cited by examiner



*Primary Examiner* — Bridget L Eland  
*Assistant Examiner* — Lauren McVey  
(74) *Attorney, Agent, or Firm* — QuickPatents; Kevin Prince

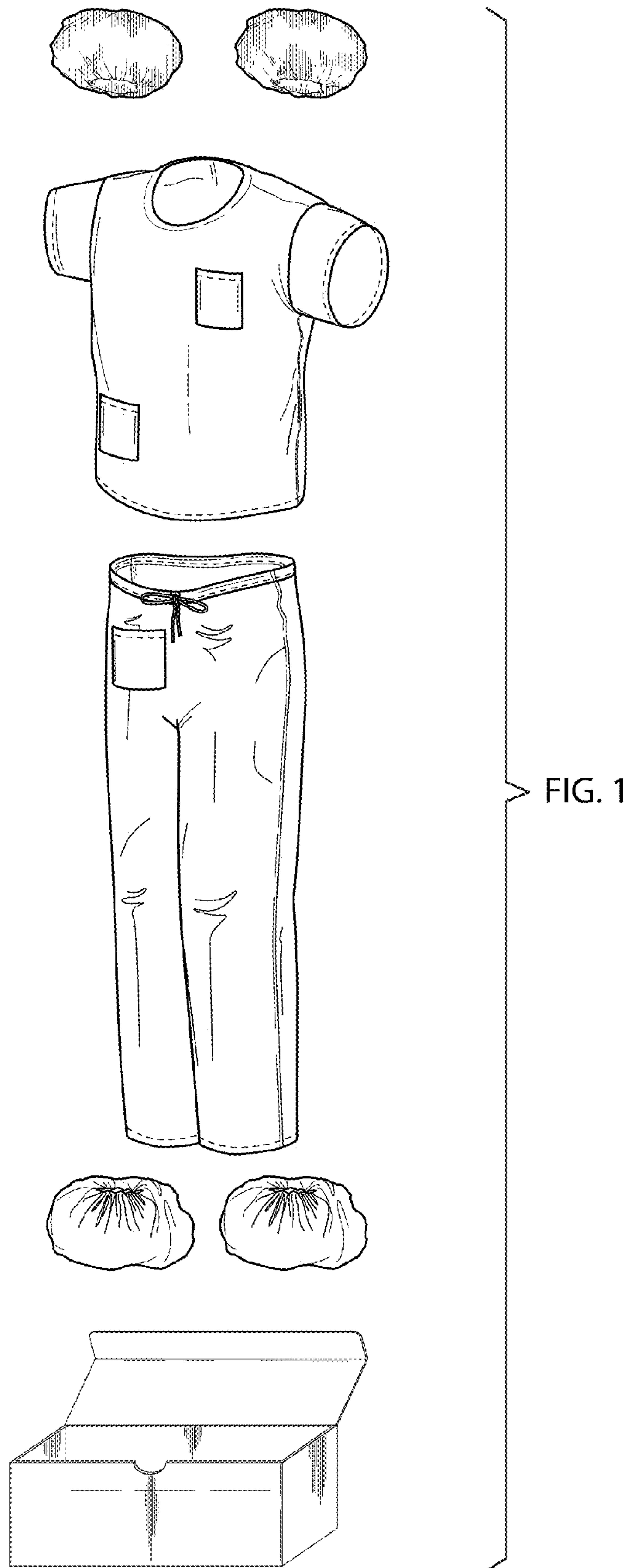
(57) **CLAIM**  
We claim the ornamental design for a packaged set of medical scrubs, as shown and described.

**DESCRIPTION**

FIG. 1 is an exploded perspective view of a first embodiment of a packaged set of medical scrubs, showing our new design; FIG. 2 is an exploded front elevational view thereof, illustrated with the box container omitted for clarity of illustration; FIG. 3 is an exploded rear elevational view of FIG. 2; FIG. 4 is an exploded right-side elevational view of FIG. 2; FIG. 5 is an exploded left-side elevational view of FIG. 2; FIG. 6 is an exploded top plan view of each component in FIG. 2; FIG. 7 is an exploded bottom plan view of each component in FIG. 2; FIG. 8 is an enlarged perspective view of the box container, wherein the scrub garments of FIG. 1 are contained within; FIG. 9 is a front elevational view of FIG. 8; FIG. 10 is a rear elevational view of FIG. 8;

FIG. 11 is a left-side elevational view of FIG. 8, the right side elevational view being a mirror image thereof; FIG. 12 is a top plan view of FIG. 8; FIG. 13 is a bottom plan view of FIG. 8; FIG. 14 is an exploded front perspective view of a second embodiment of a packaged set of medical scrubs showing of our new design; FIG. 15 is an exploded front elevational view thereof; FIG. 16 is an exploded rear elevational view thereof; FIG. 17 is an exploded right-side elevational view thereof; FIG. 18 is an exploded left-side elevational view thereof; FIG. 19 is an exploded top plan view thereof; FIG. 20 is an exploded bottom plan view of thereof; FIG. 21 is an enlarged perspective view of the bag container wherein the scrub garments of FIG. 14 are contained within; FIG. 22 is a front elevational view of FIG. 21; FIG. 23 is a rear elevational view of FIG. 21; FIG. 24 is a left-side elevational view of FIG. 21; FIG. 25 is a right-side elevational view of FIG. 21; FIG. 26 is a top plan view of FIG. 21; and, FIG. 27 is a bottom plan view of FIG. 21. The broken lines in the figures represent stitching, and are part of the claimed design. The surface treatment consisting of straight parallel lines on the scrub caps throughout the views is understood to extend uniformly across the surfaces to which it is applied for the color red.

**1 Claim, 12 Drawing Sheets**





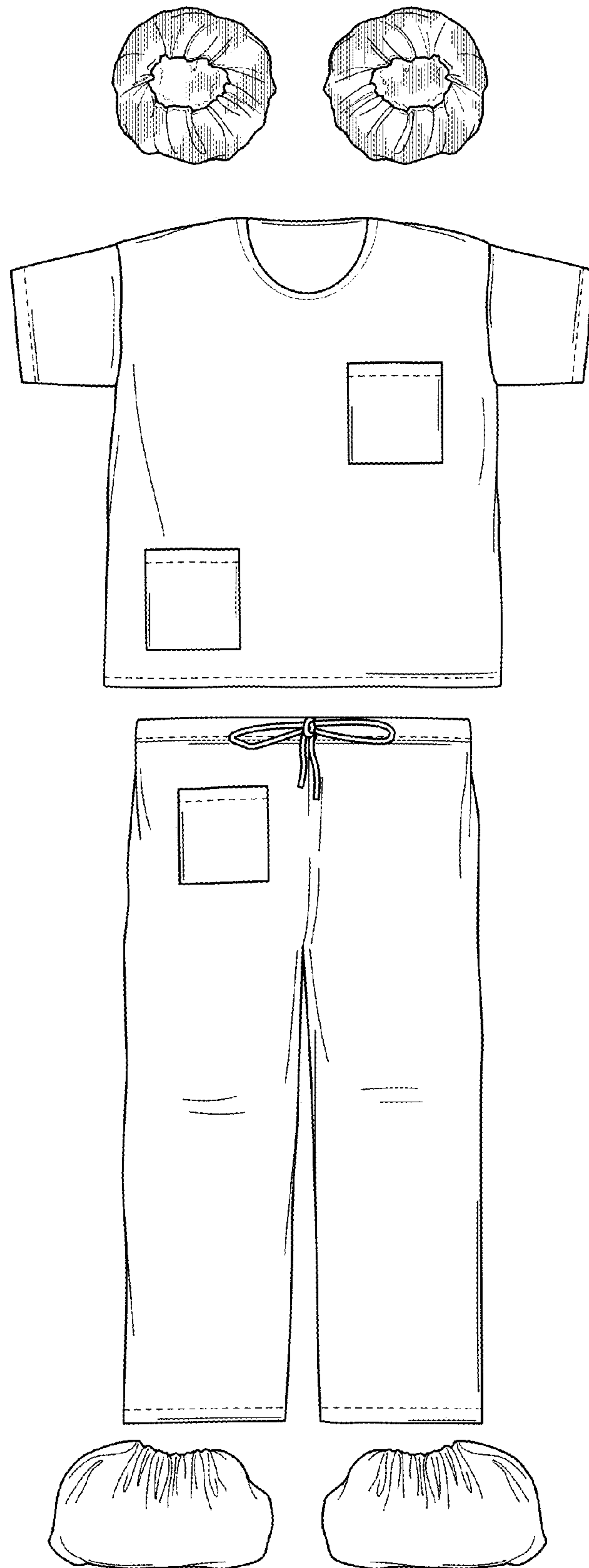


FIG. 2

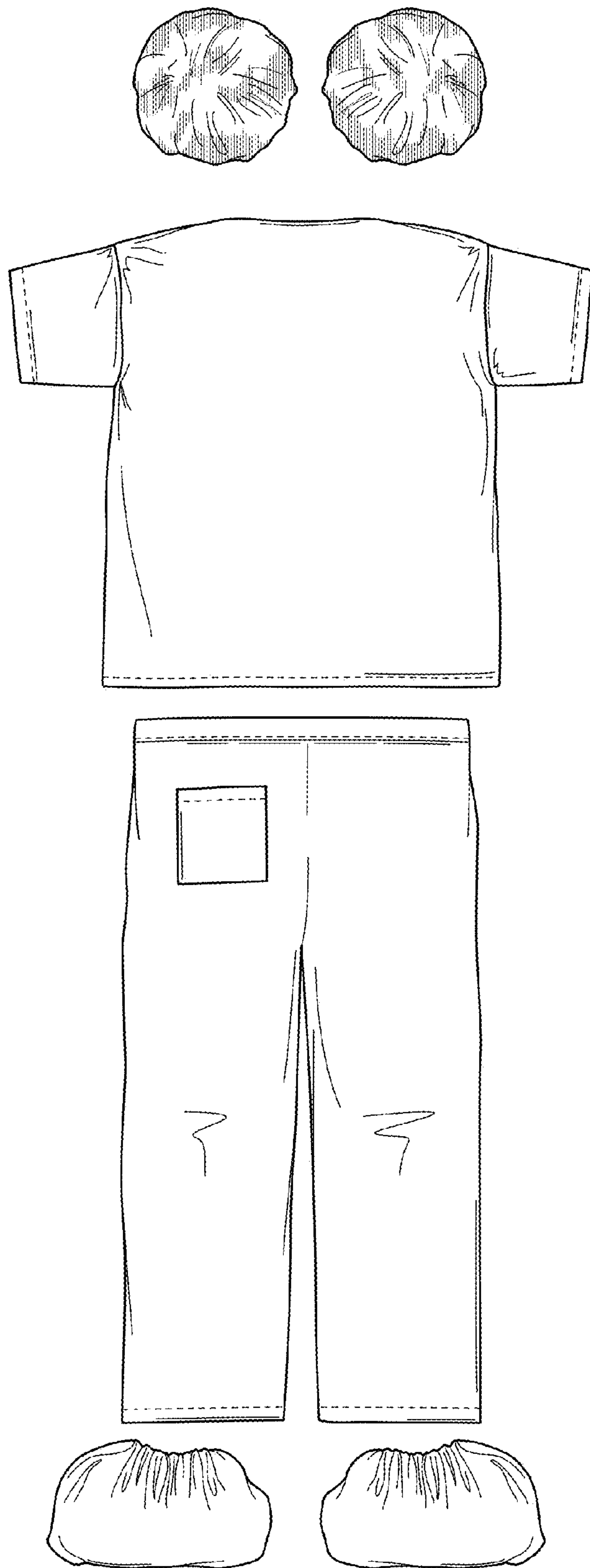


FIG. 3

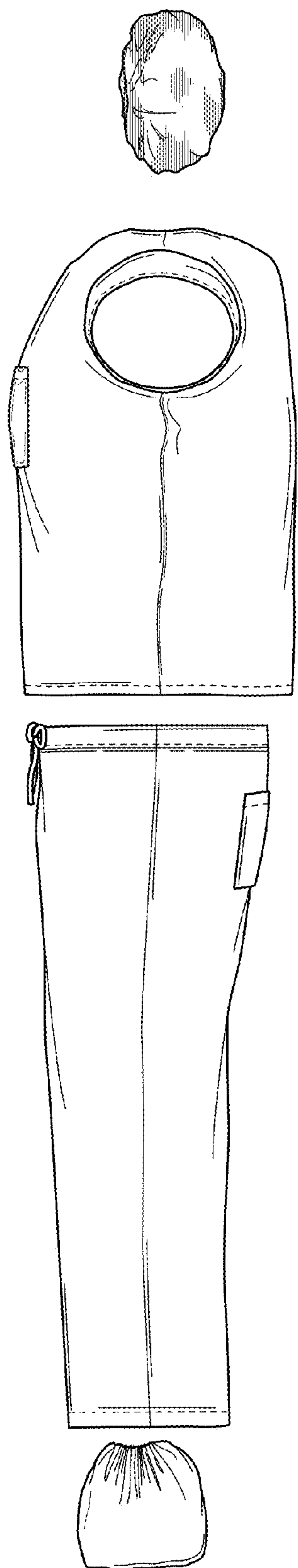


FIG. 4

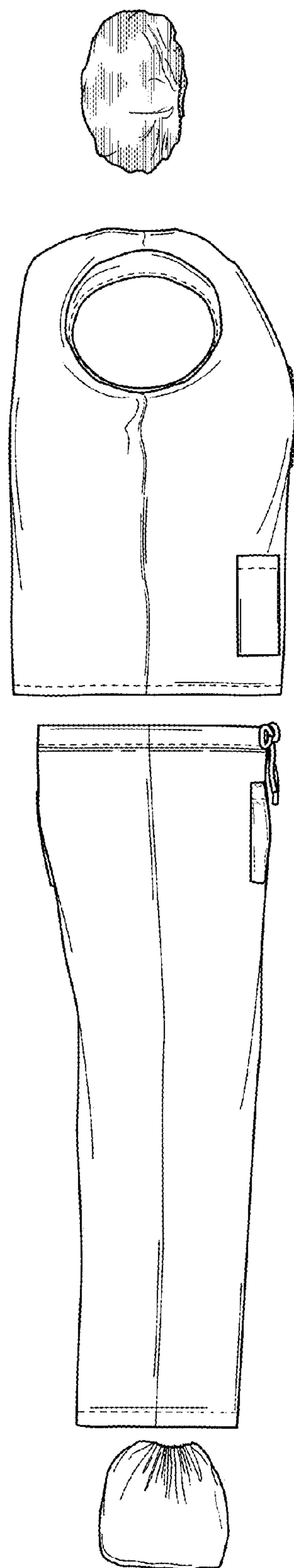


FIG. 5

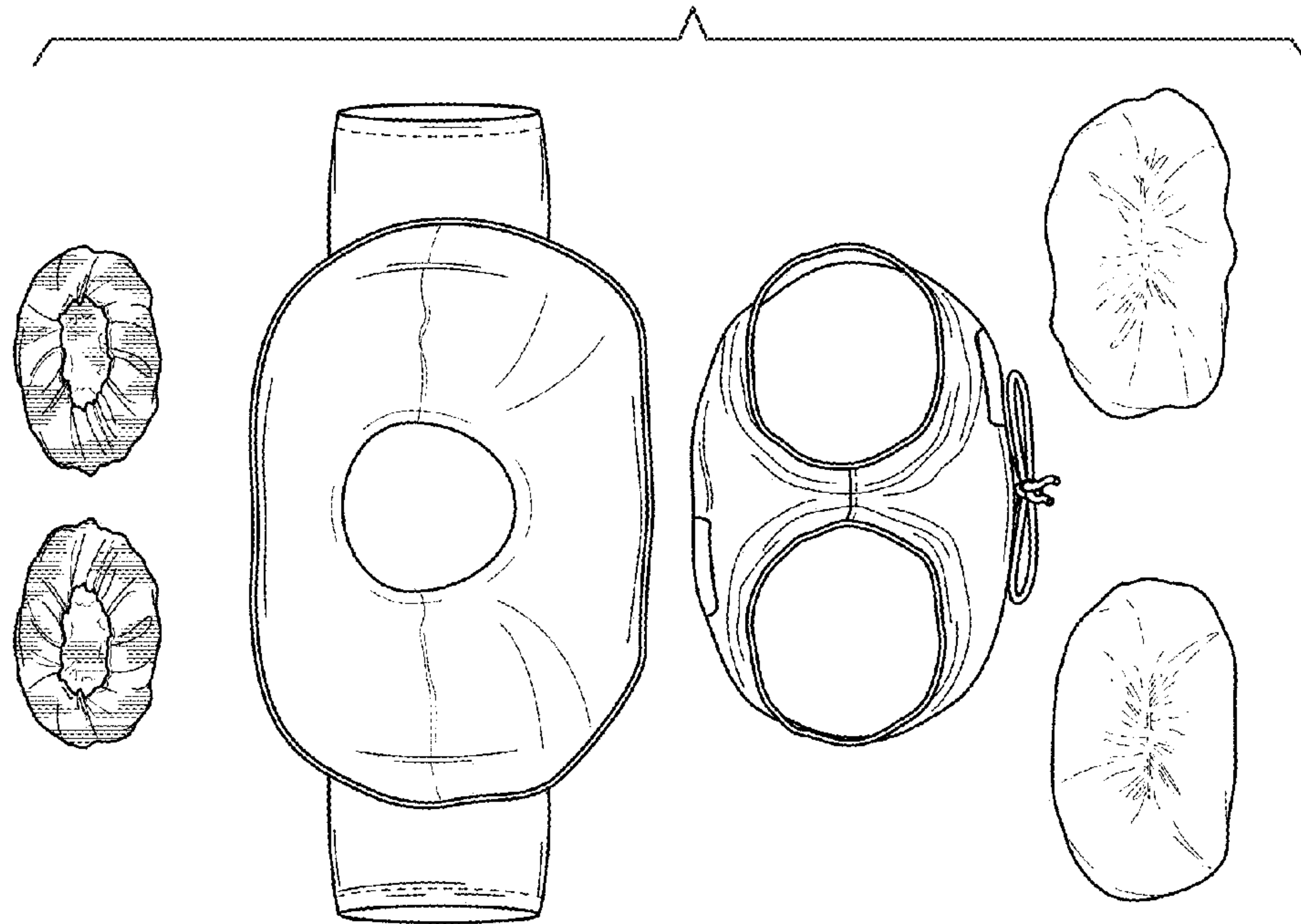


FIG. 7

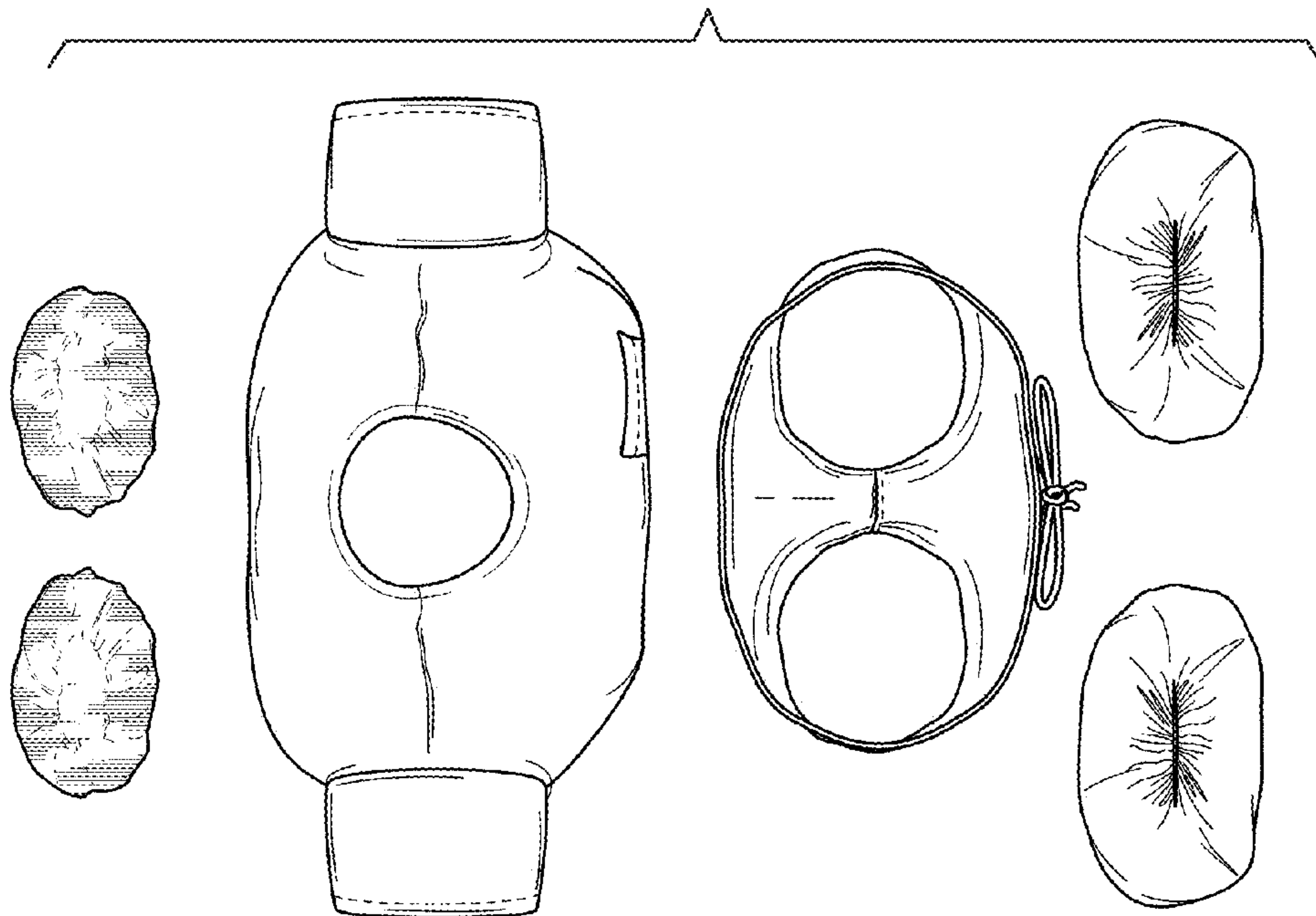


FIG. 6

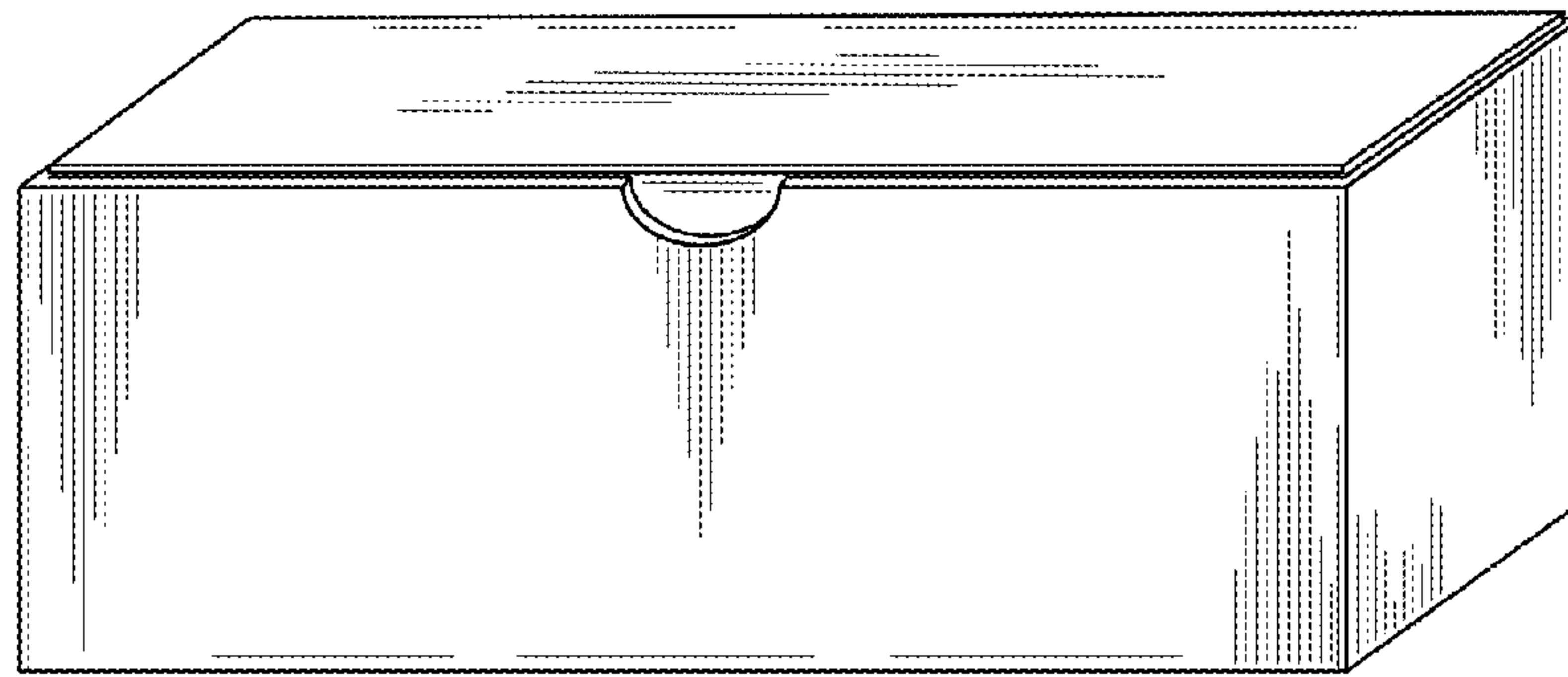


FIG. 8

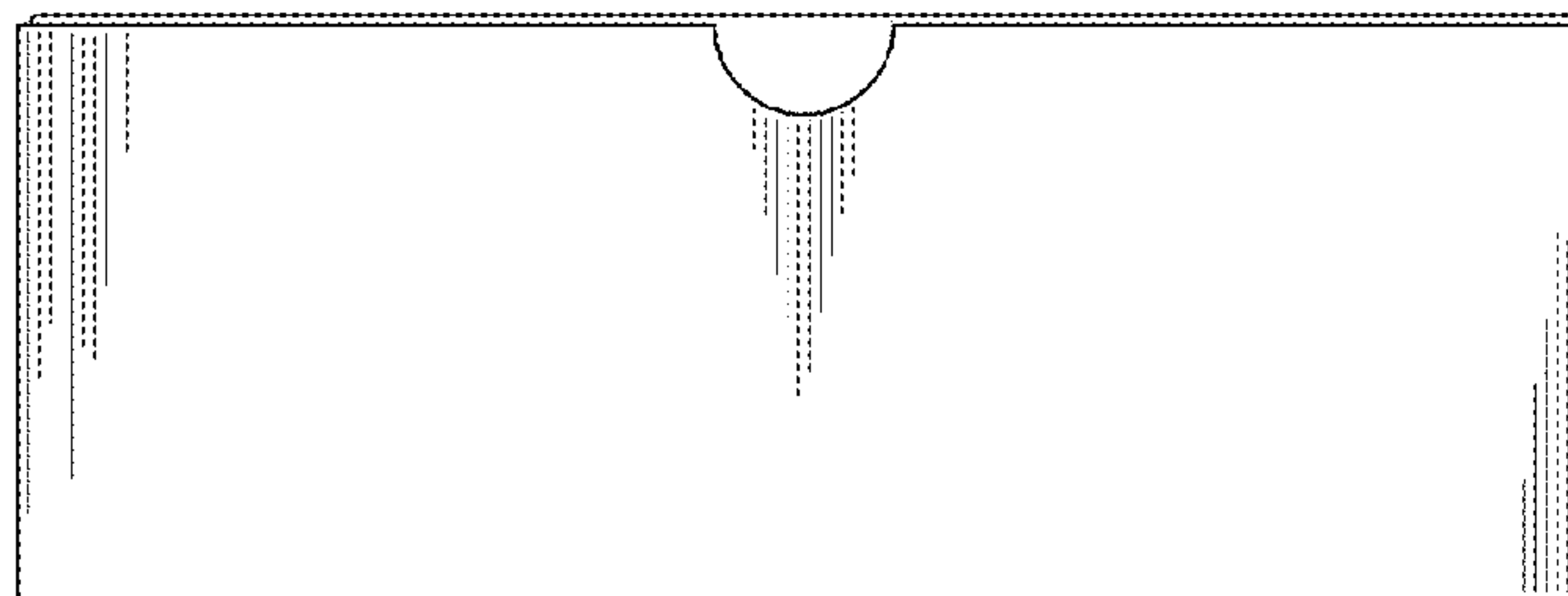


FIG. 9

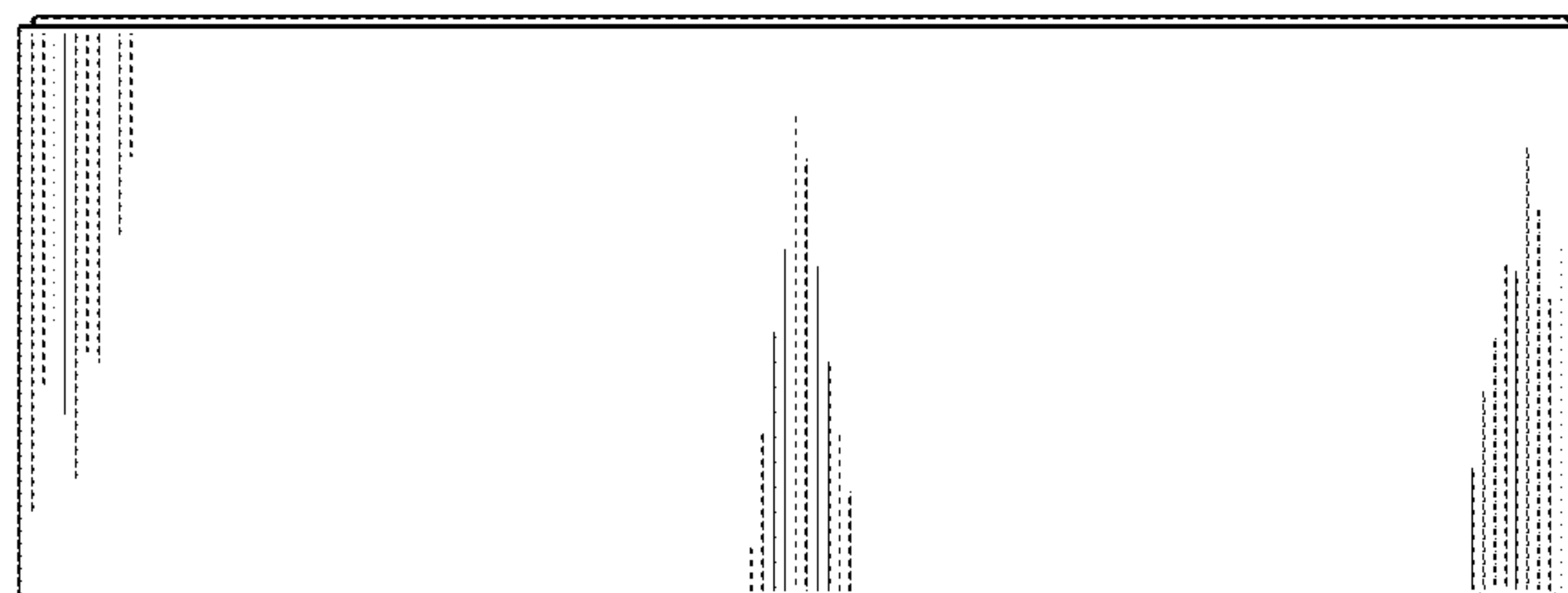


FIG. 10

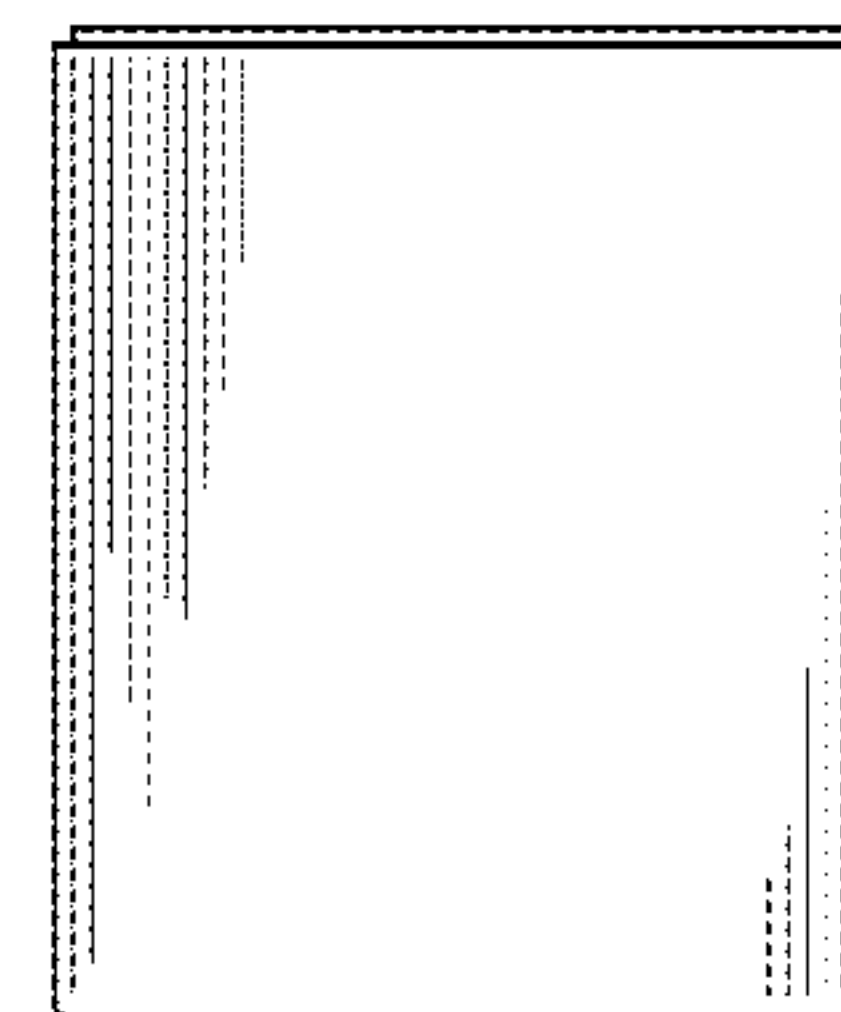


FIG. 11



FIG. 12

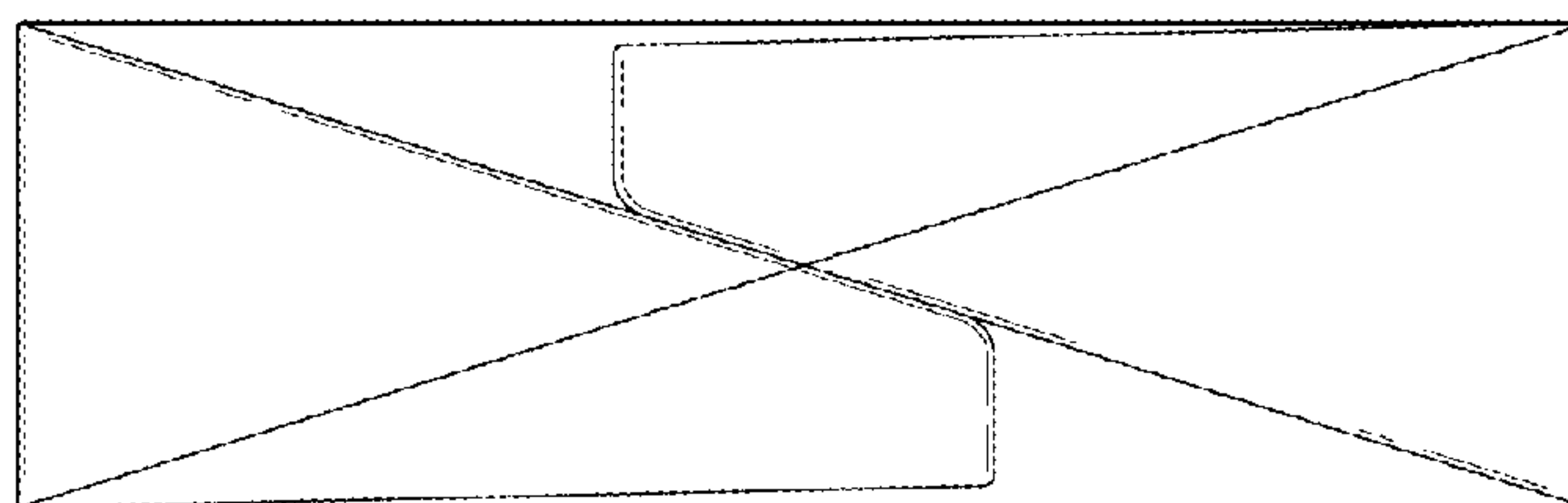


FIG. 13



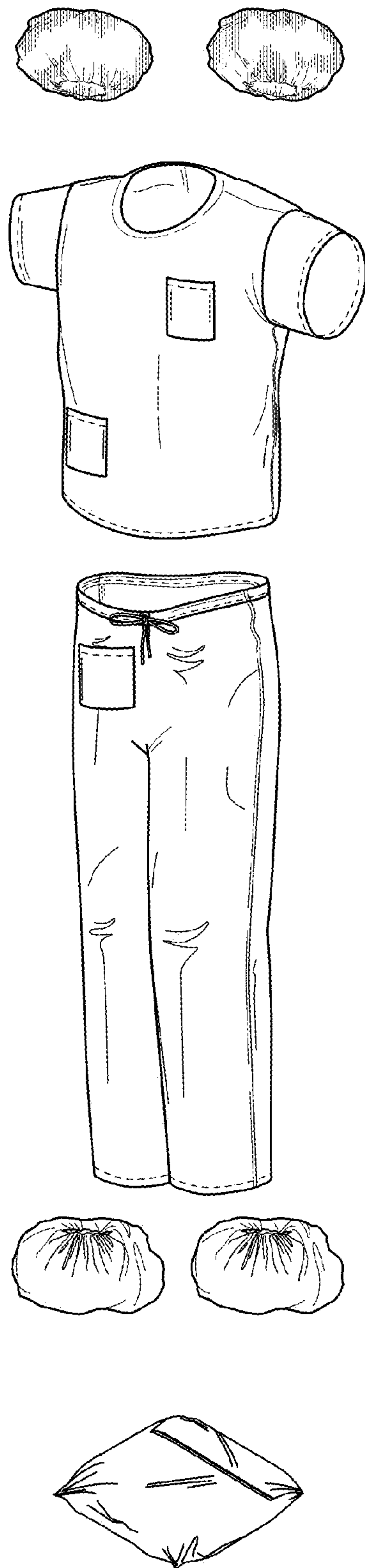
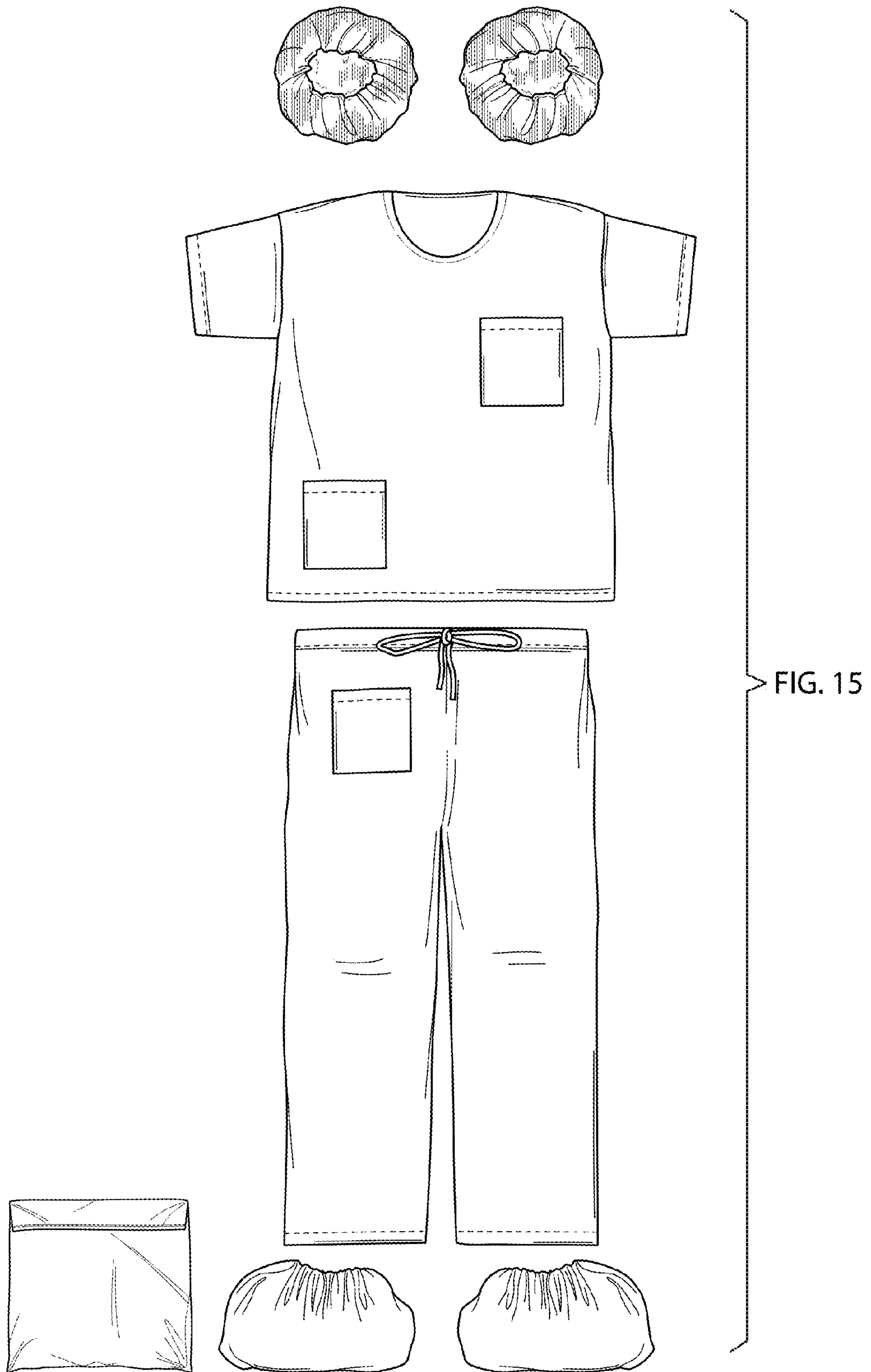


FIG. 14



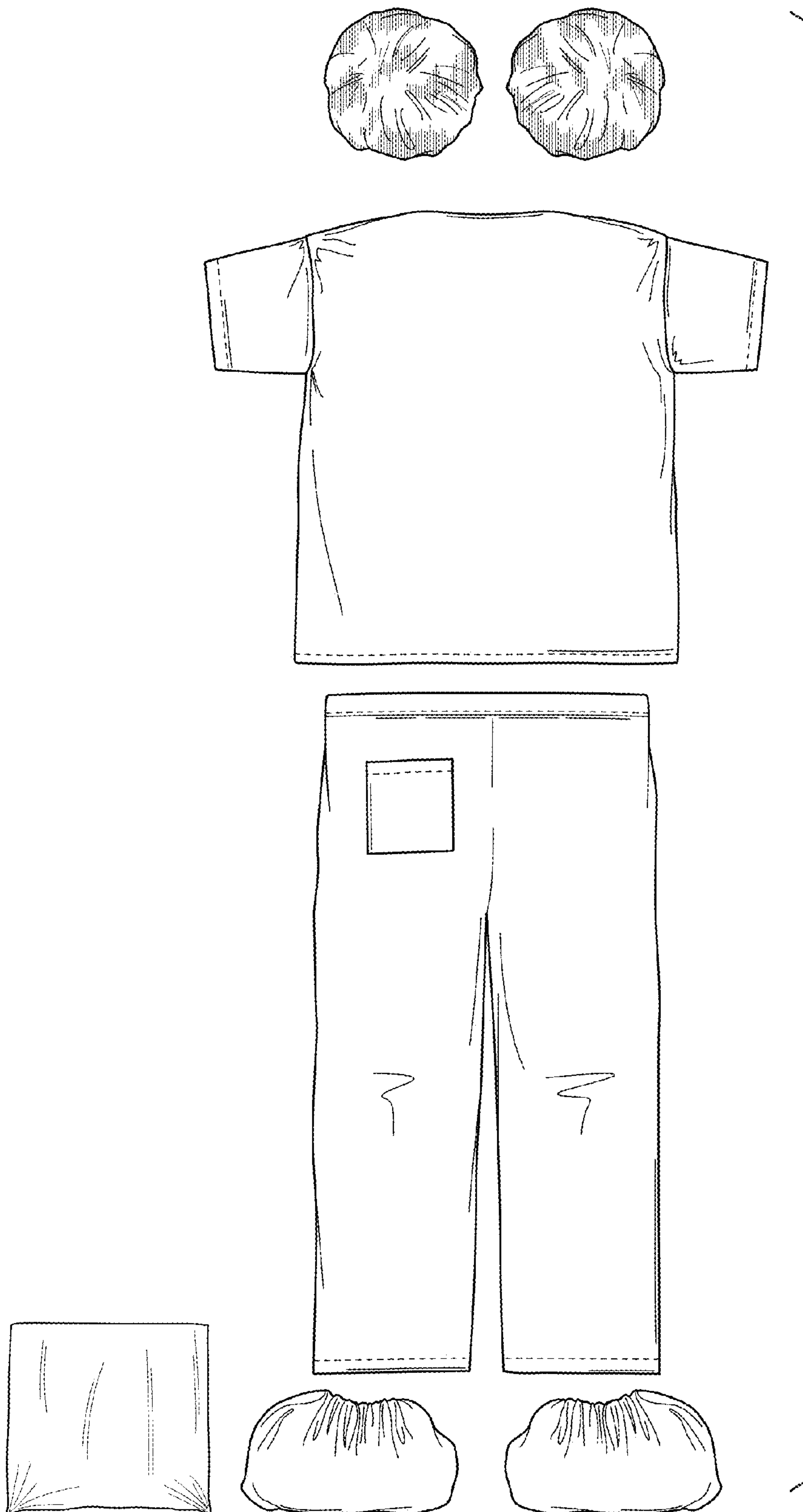


FIG. 16

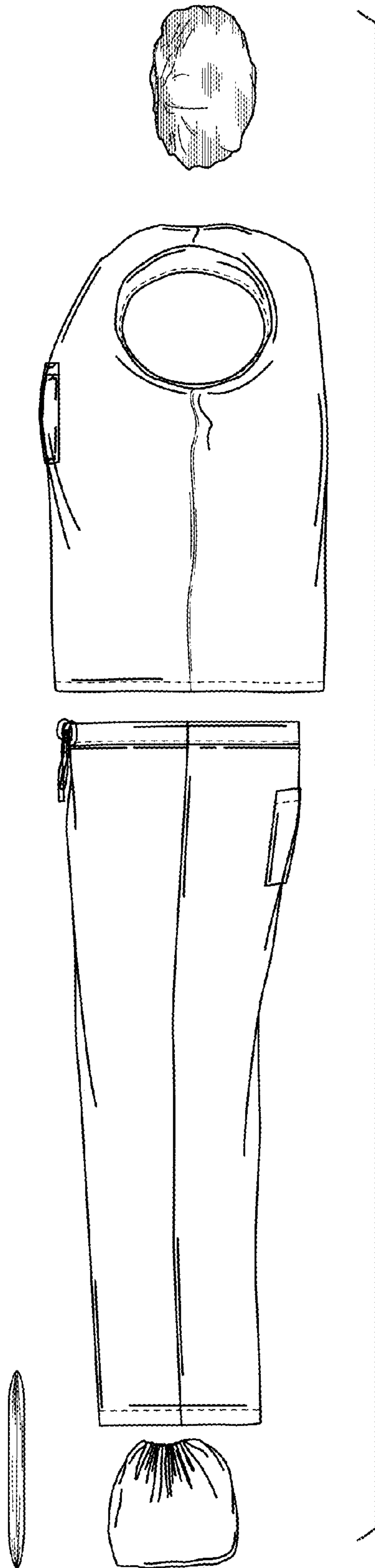


FIG. 17

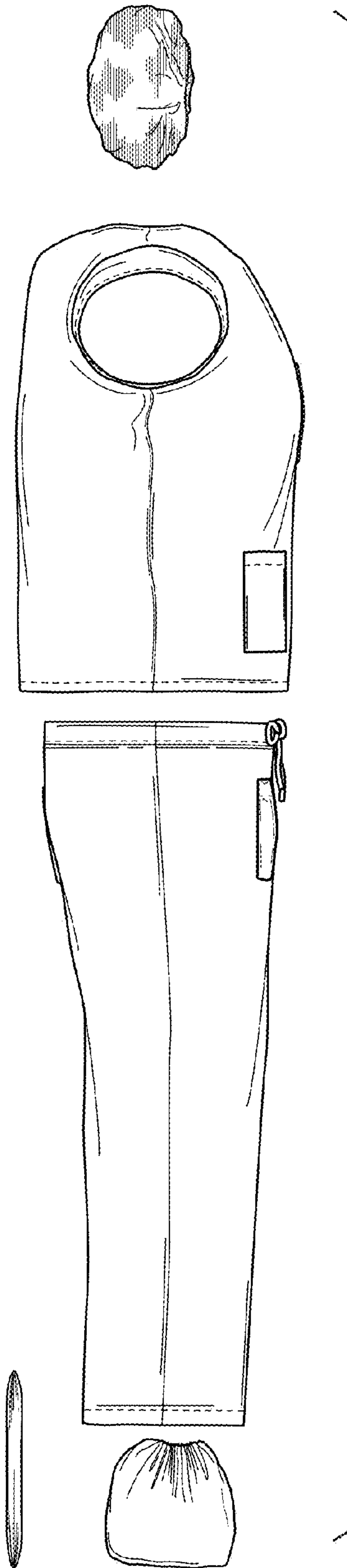


FIG. 18



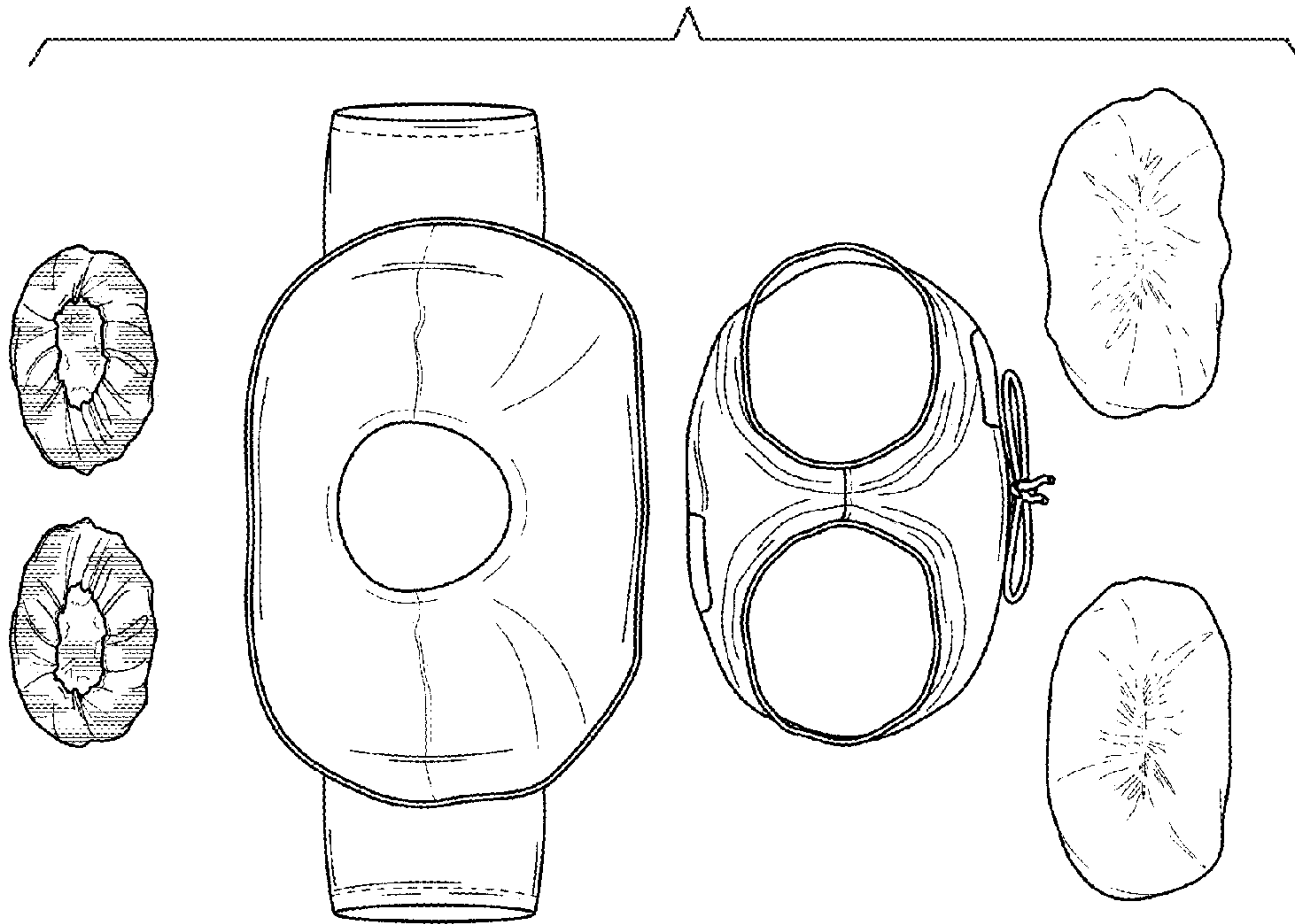


FIG. 20

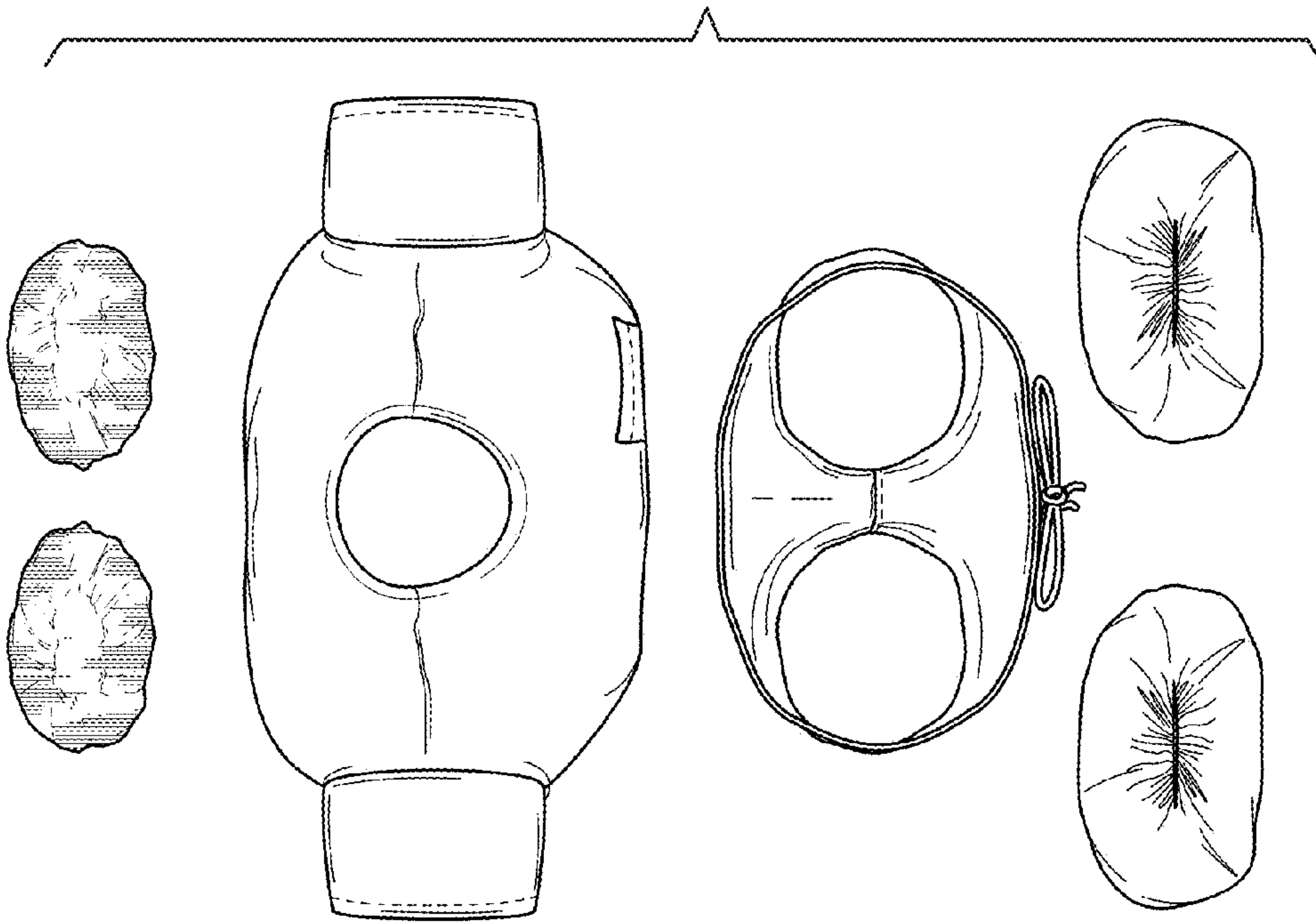


FIG. 19

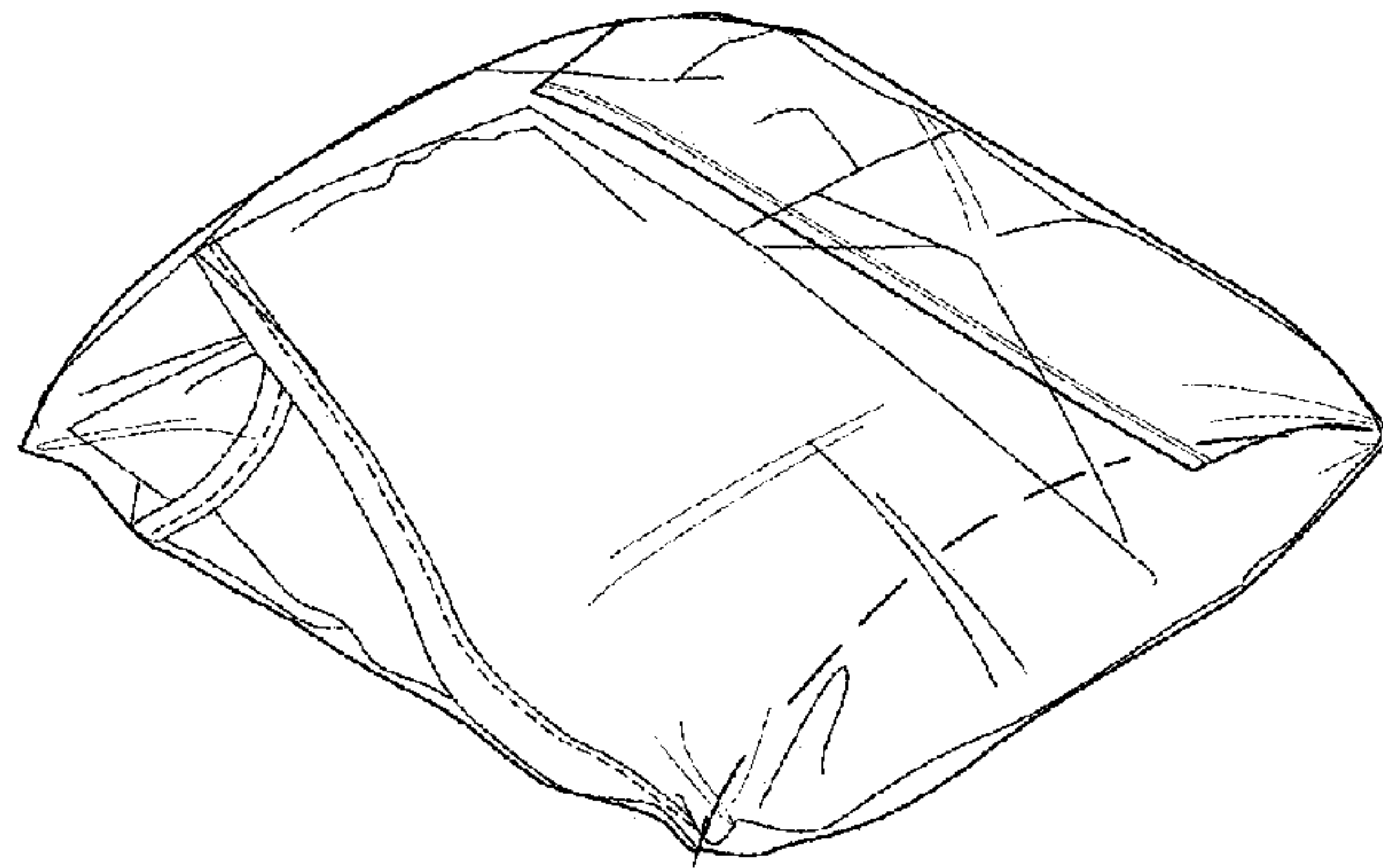


FIG. 21

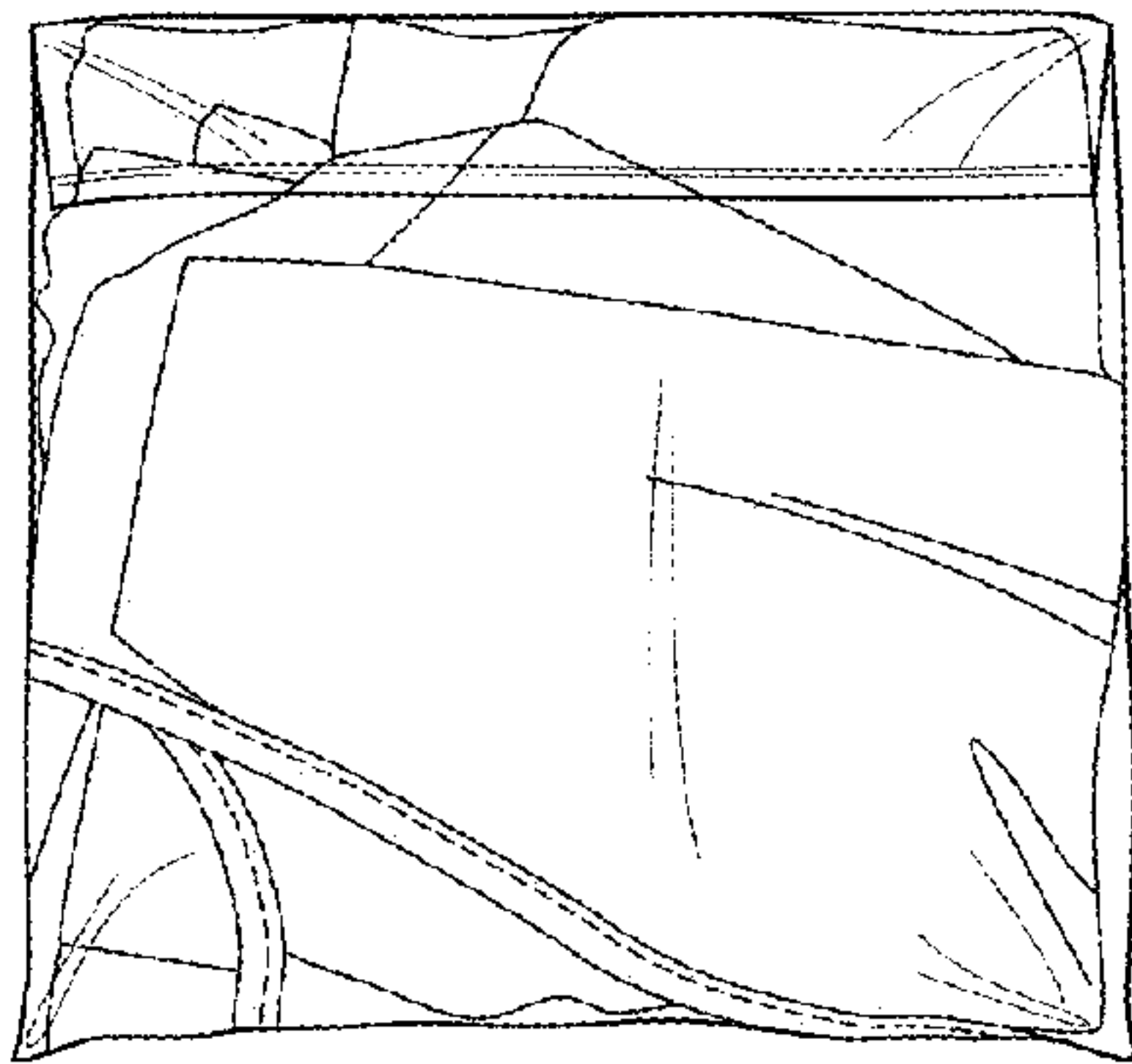


FIG. 22

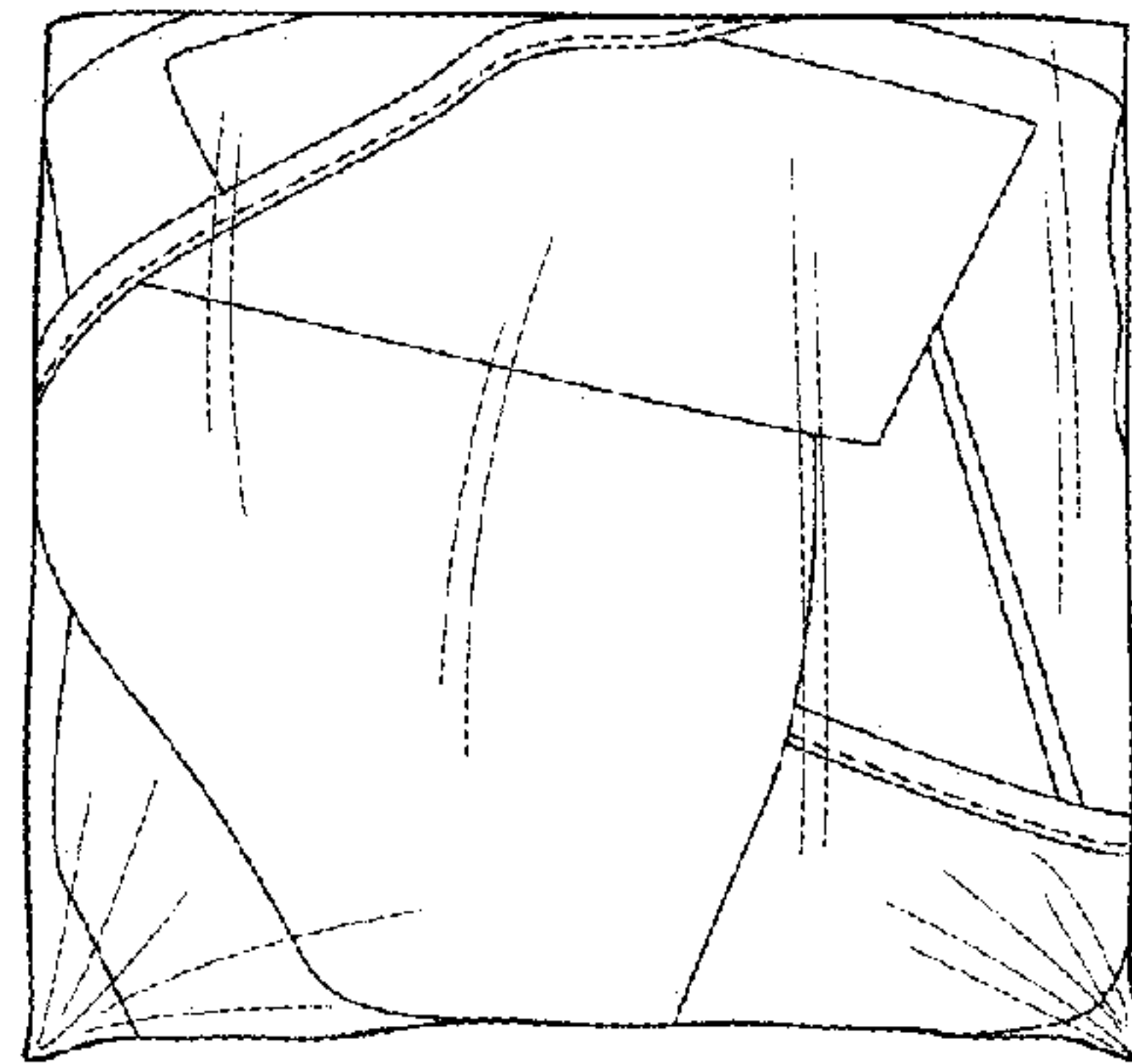


FIG. 23

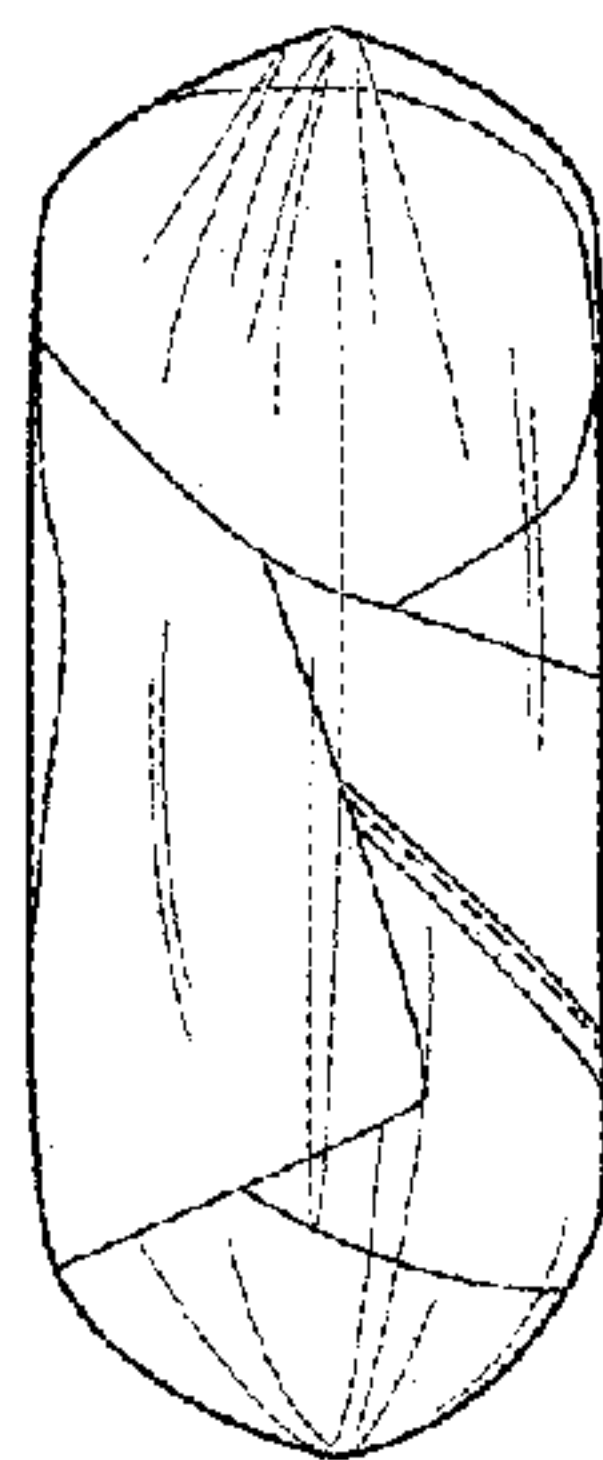


FIG. 24

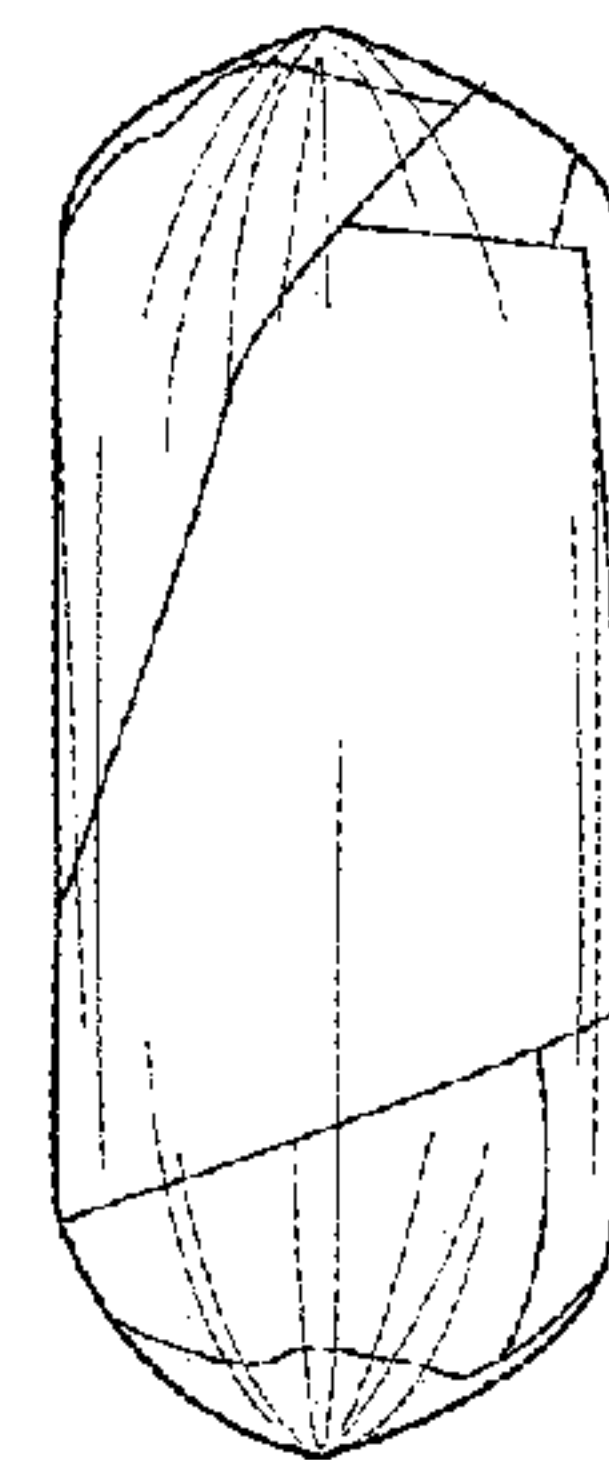


FIG. 25

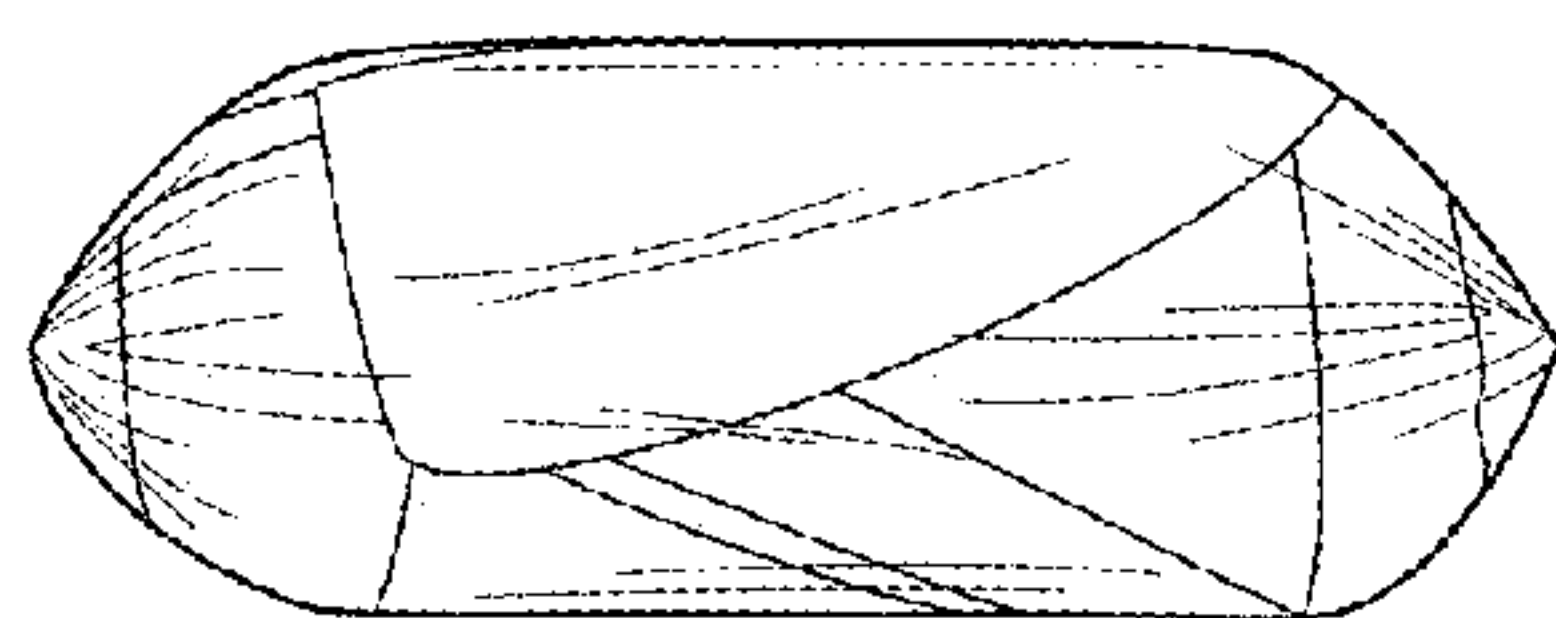


FIG. 26

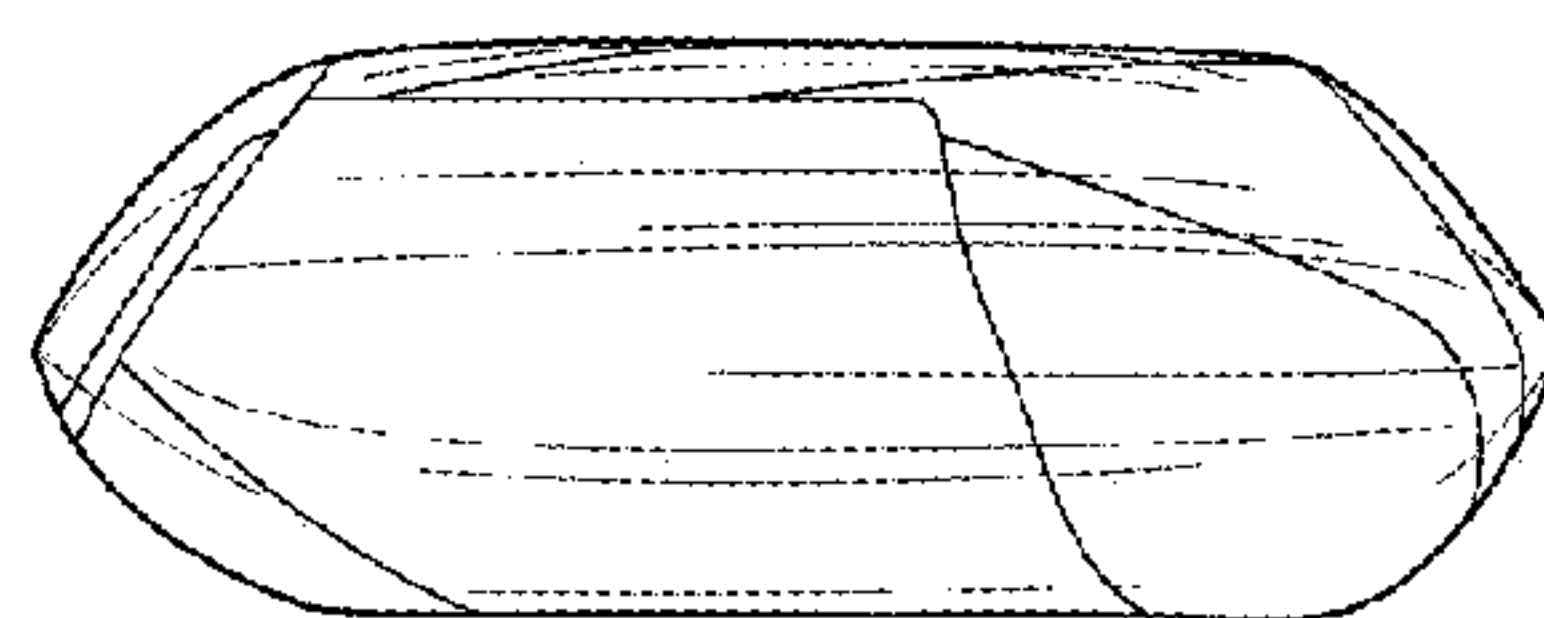


FIG. 27