



US00D744194S

(12) **United States Design Patent**  
**Speer**

(10) **Patent No.:** **US D744,194 S**

(45) **Date of Patent:** **\*\* Dec. 1, 2015**

(54) **NECKTIE KNOT DEVICE**

(71) Applicant: **David Alan, LLC**, Pittsburgh, PA (US)

(72) Inventor: **David A. Speer**, Pittsburgh, PA (US)

(73) Assignee: **DAVID ALAN, LLC**, Pittsburgh, PA (US)

(\*\*) Term: **14 Years**

(21) Appl. No.: **29/509,432**

(22) Filed: **Nov. 18, 2014**

(51) **LOC (10) Cl.** ..... **02-05**

(52) **U.S. Cl.**  
USPC ..... **D2/609**

(58) **Field of Classification Search**  
USPC ..... D2/600, 601, 602, 603, 604, 605, 606,  
D2/607, 608, 609  
CPC ... A41D 25/00; A41D 25/001; A41D 25/006;  
A41D 25/008; A41D 25/02; A41D 25/025;  
A41D 25/027; A41D 25/10; A41D 25/12;  
A41F 1/00; A41F 1/008; A41F 3/04  
See application file for complete search history.

(56) **References Cited**

**U.S. PATENT DOCUMENTS**

828,967	A *	8/1906	Reichblum	2/91
1,603,885	A *	10/1926	Van Dyk	2/153
2,094,487	A *	9/1937	Gernert	2/153
2,142,322	A *	1/1939	Martin	2/153
2,316,002	A	4/1943	Koivisto	
2,602,164	A	7/1952	Venuti	
2,702,905	A *	3/1955	Peake	2/153
2,774,971	A *	12/1956	Schrade	2/153
2,896,217	A	7/1959	Cedarstaff	
2,898,600	A	8/1959	Lipes et al.	
2,972,749	A *	2/1961	Gruber	2/153
3,964,105	A *	6/1976	Gideon	24/49.1
3,999,222	A *	12/1976	Walborn	2/150

D260,946	S *	9/1981	Leonardi	D2/605
D280,572	S *	9/1985	Koppelmans	D11/204
4,573,219	A *	3/1986	Hooten	24/66.3
D301,521	S	6/1989	Safford	
4,875,239	A *	10/1989	Patterson, Jr.	2/153
5,010,593	A	4/1991	Stevens, Jr.	
5,035,002	A	7/1991	Knight, Jr.	
5,048,127	A *	9/1991	Yang	2/149
D411,575	S	6/1999	LaBorde et al.	
D420,201	S	2/2000	Azhar et al.	
6,363,533	B1	4/2002	DeLuca	
6,427,245	B1 *	8/2002	Alcala	2/152.1

(Continued)

**OTHER PUBLICATIONS**

“The Proper Knot—How to Wear it,” video posted on-line to Youtube on Jan. 29, 2015. Retrieved from the internet on Jul. 16, 2015. URL: <https://www.youtube.com/watch?v=SV70xSpEDo>. (1 page).\*

*Primary Examiner* — Karen E. Eldridge Powers  
*Assistant Examiner* — Jasmine Mlinarcik  
(74) *Attorney, Agent, or Firm* — The Webb Law Firm

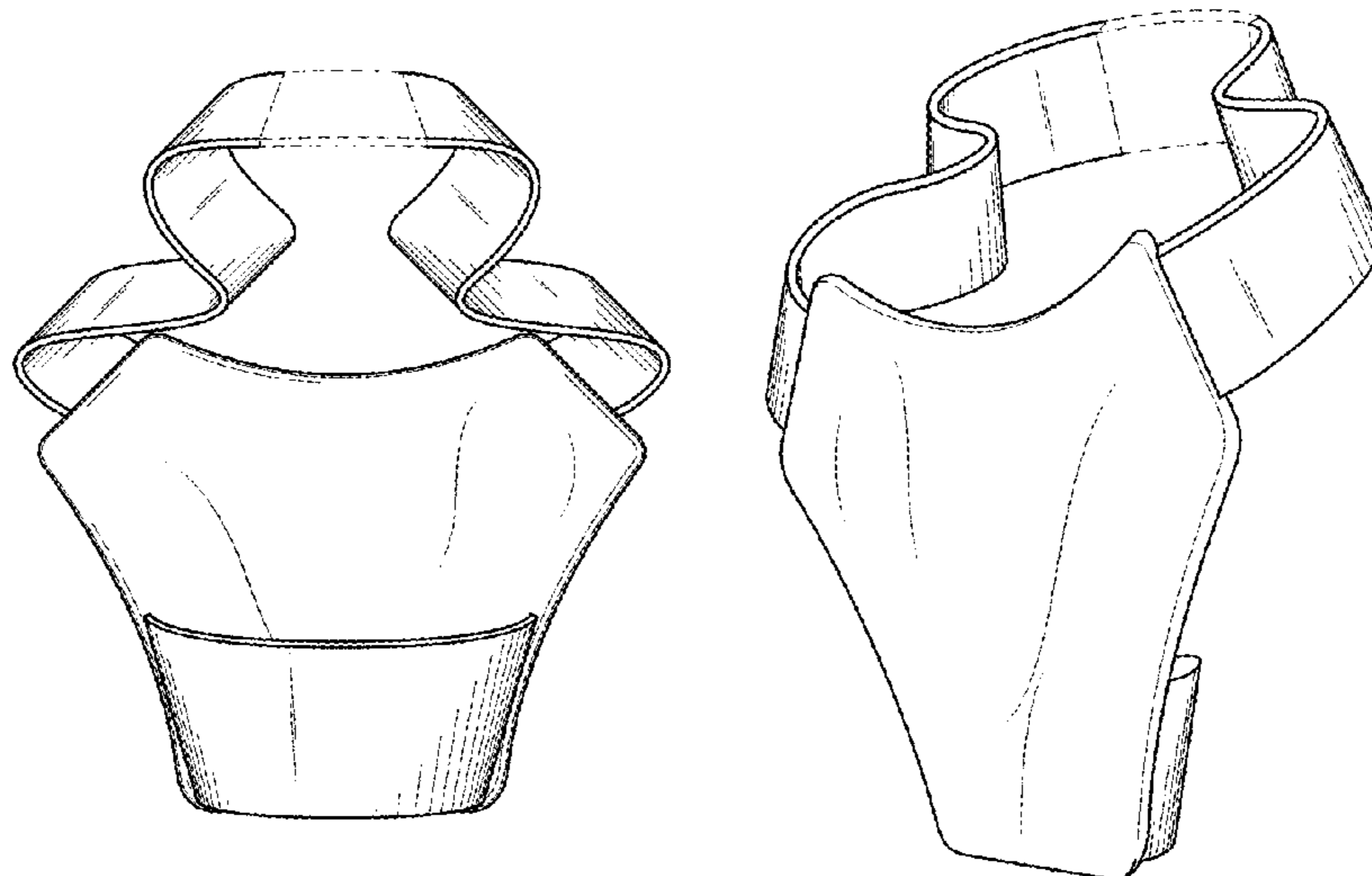
(57) **CLAIM**

The ornamental design for a necktie knot device, as shown and described.

**DESCRIPTION**

FIG. 1 is a front elevation view of a necktie knot device showing my new design;  
FIG. 2 is a left side elevation view thereof, the unshown right side being a mirror image thereof;  
FIG. 3 is a rear elevation view thereof;  
FIG. 4 is a top plan view thereof;  
FIG. 5 is a bottom plan view thereof;  
FIG. 6 is a front right side perspective view thereof; and,  
FIG. 7 is a rear left side perspective view thereof.  
The broken lines illustrated represent environmental subject matter that forms no part of the claimed design.

**1 Claim, 4 Drawing Sheets**



(56)

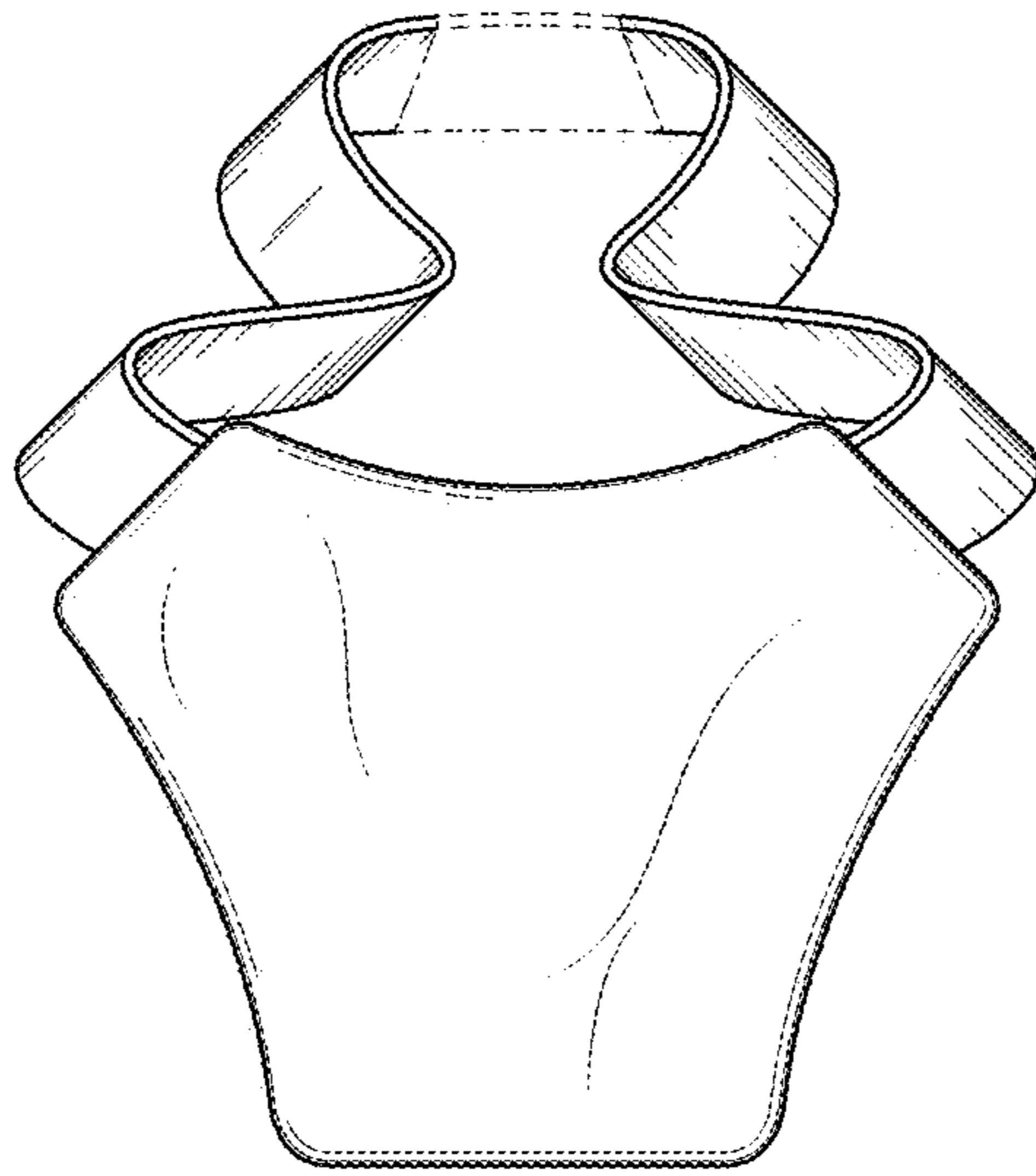
**References Cited**

U.S. PATENT DOCUMENTS

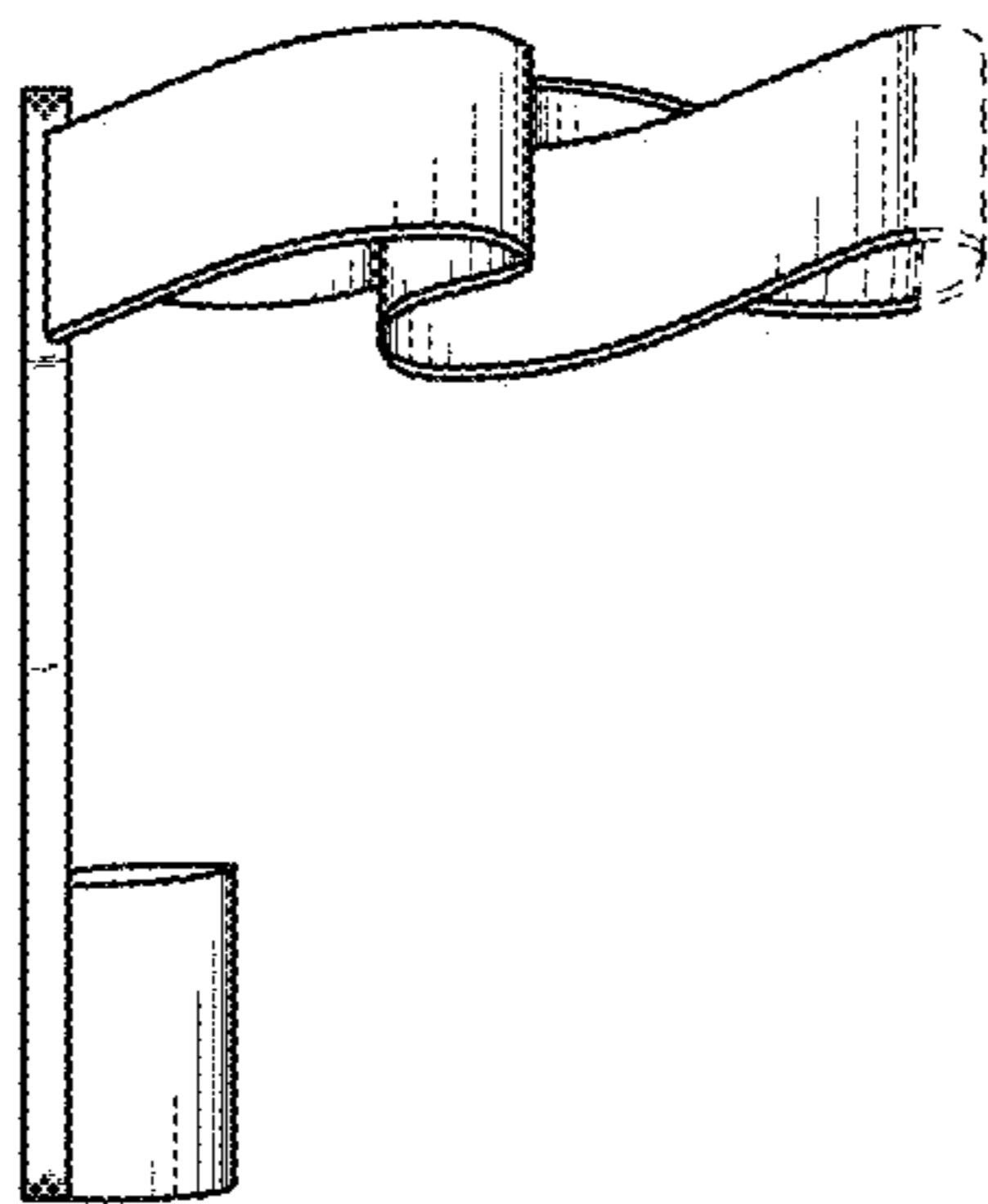
6,691,319 B1 2/2004 Simon  
6,920,642 B2 \* 7/2005 Dickens ..... 2/152.1  
7,162,747 B2 \* 1/2007 Sampy ..... 2/152.1  
7,458,105 B2 12/2008 Tao  
7,530,119 B1 5/2009 Jackson-Miller et al.

7,770,238 B2 8/2010 Dayan  
D623,827 S \* 9/2010 Pauling ..... D2/605  
D633,693 S \* 3/2011 Boccardi ..... D2/854  
8,047,580 B2 \* 11/2011 Fay ..... 289/17  
2004/0017085 A1 1/2004 Daniels  
2009/0260128 A1 10/2009 Marzano  
2011/0219516 A1 9/2011 Pionessa  
2014/0283278 A1 9/2014 Jordan

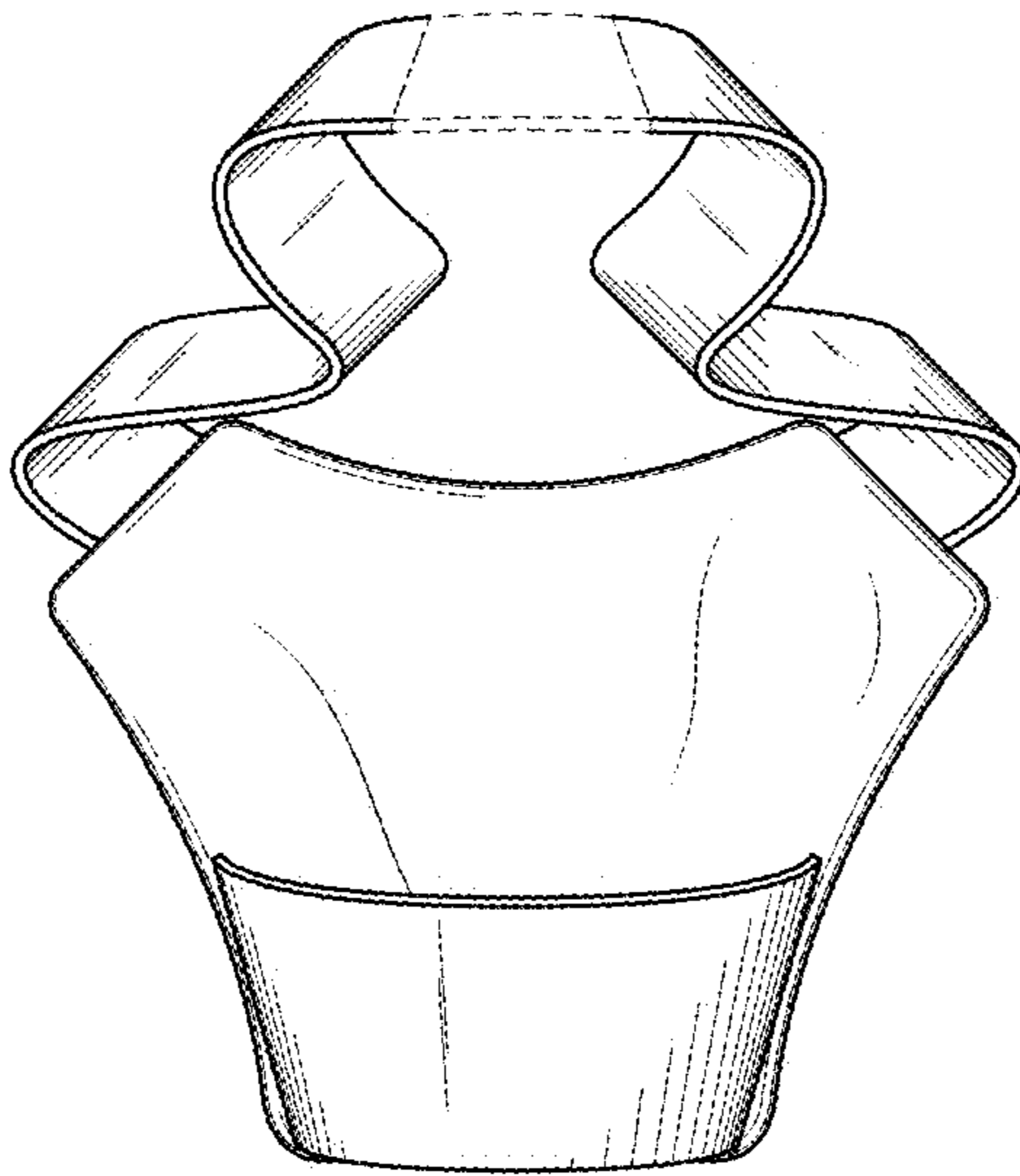
\* cited by examiner



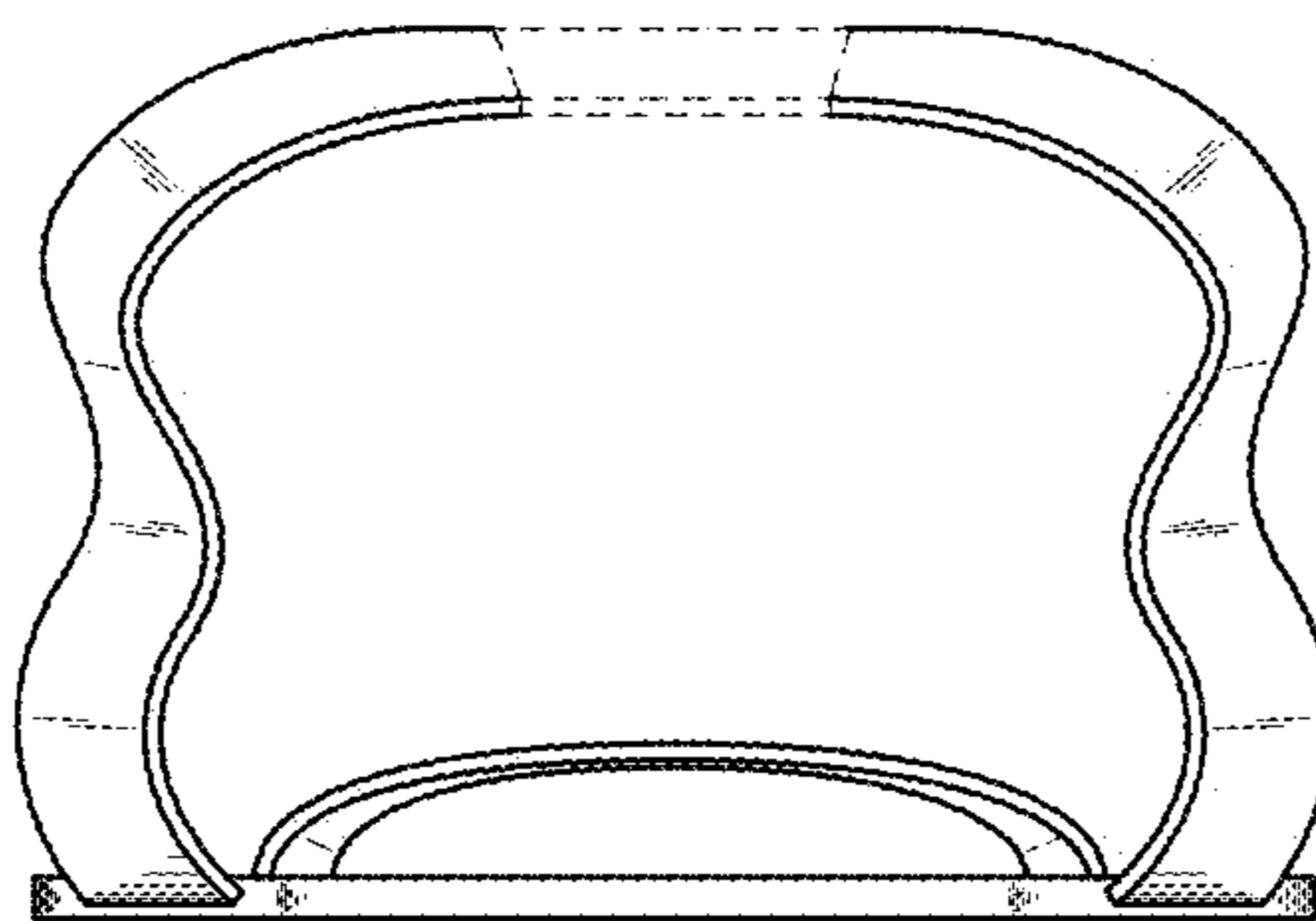
**FIG. 1**



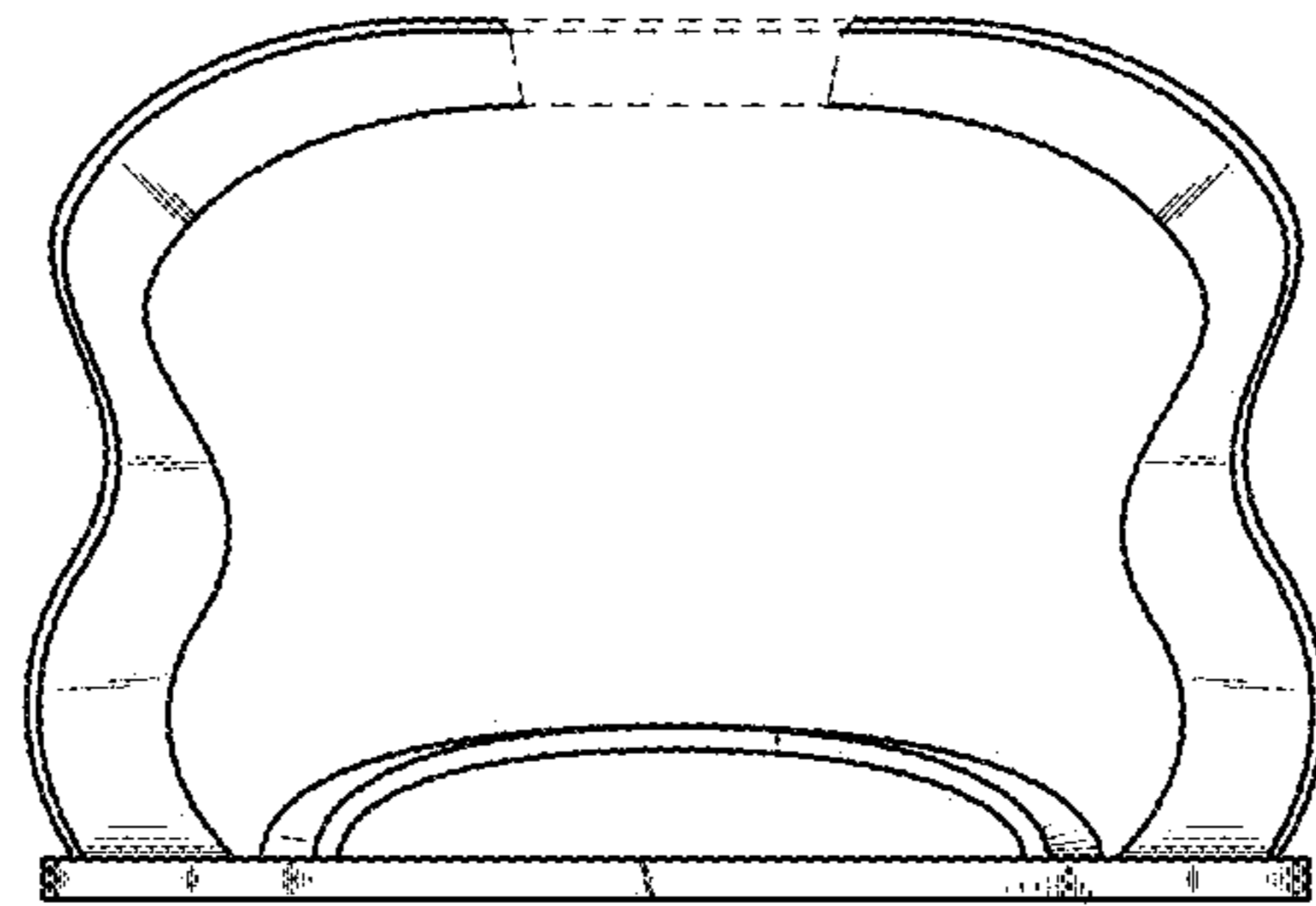
**FIG. 2**



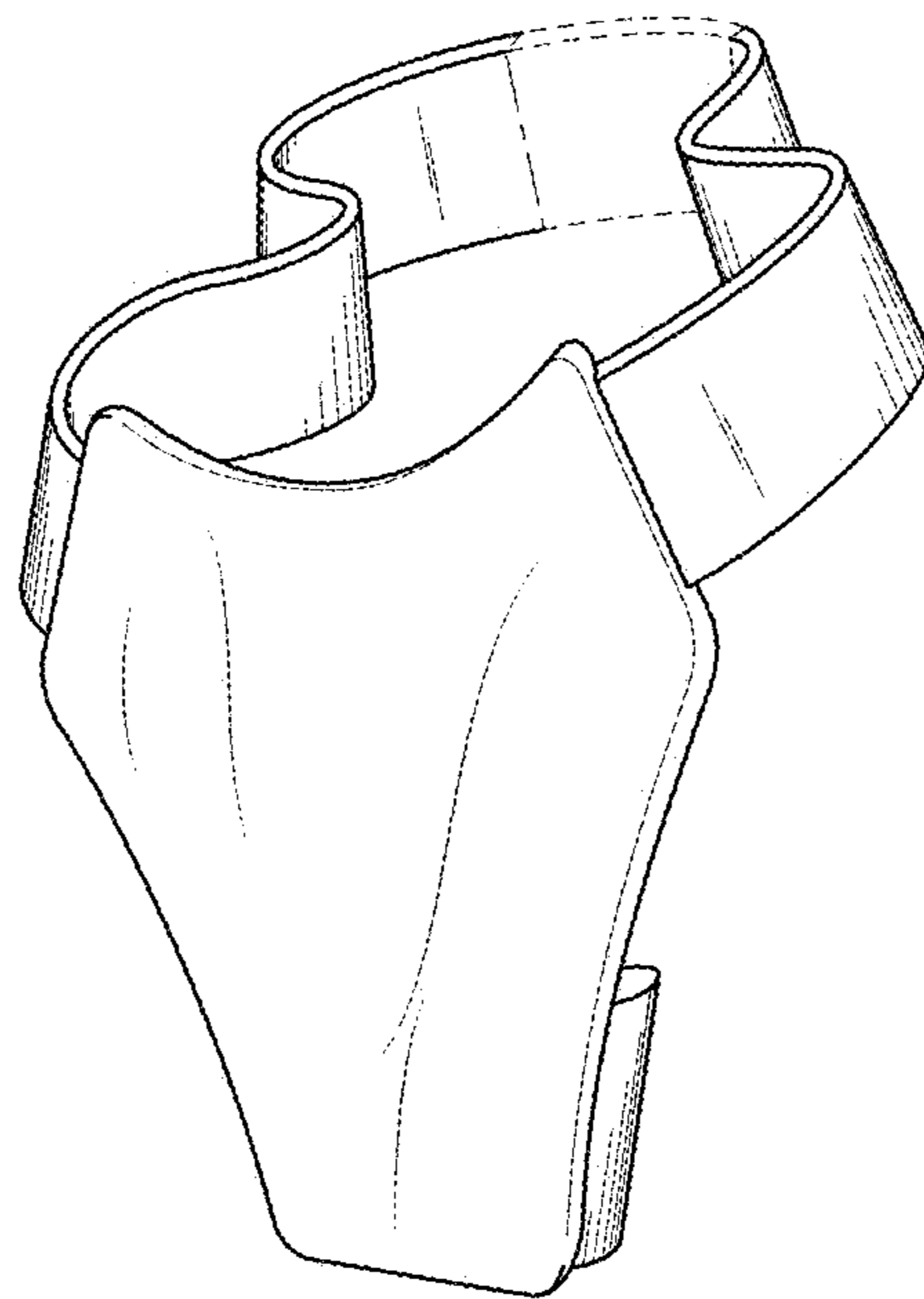
**FIG. 3**



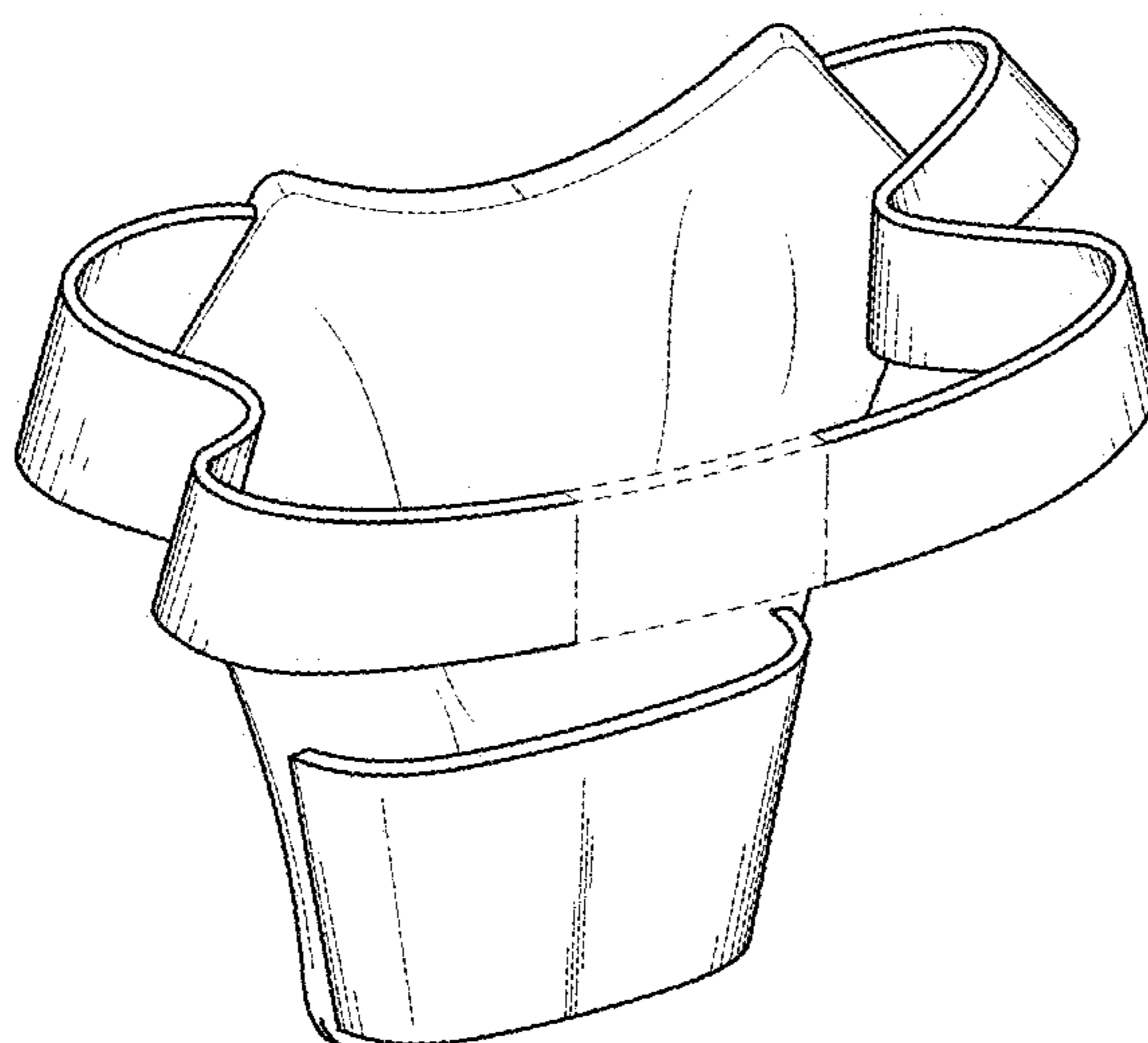
**FIG. 4**



**FIG. 5**



**FIG. 6**



**FIG. 7**