



US00D744189S

(12) **United States Design Patent**
Fretz

(10) **Patent No.:** **US D744,189 S**

(45) **Date of Patent:** **** Nov. 24, 2015**

(54) **WINCH**

(71) Applicant: **Warn Industries, Inc.**, Clackamas, OR
(US)

(72) Inventor: **Darren G. Fretz**, Oregon City, OR (US)

(73) Assignee: **Warn Industries, Inc.**, Clackamas, OR
(US)

(**) Term: **14 Years**

(21) Appl. No.: **29/500,012**

(22) Filed: **Aug. 20, 2014**

(51) **LOC (10) Cl.** **12-05**

(52) **U.S. Cl.**
USPC **D34/33**

(58) **Field of Classification Search**
USPC D34/28, 33; 254/362, 356, 372, 380,
254/901, 382, 374, 316; D15/7-9;
417/415-416, 410.1, 321, 265, 405
CPC B66D 1/12; B66D 1/14; B66D 1/00;
B66D 1/38; B66D 1/30; B66D 1/34
See application file for complete search history.

6,604,731 B2	8/2003	Hodge	
D489,157 S	4/2004	Lawson	
6,864,650 B2	3/2005	Heravi et al.	
D532,577 S *	11/2006	Elliott et al.	D34/33
D550,720 S *	9/2007	Geisler et al.	D34/33
D550,924 S	9/2007	Huang	
D555,874 S *	11/2007	Elliott et al.	D34/33
D597,105 S	7/2009	Geisler et al.	
D599,524 S	9/2009	Averill et al.	
7,891,641 B1	2/2011	Miller	
D703,414 S	4/2014	Fretz et al.	
9,014,913 B2 *	4/2015	Heravi et al.	701/36
2008/0116431 A1 *	5/2008	Elliott et al.	254/355
2009/0134372 A1	5/2009	Giacomini et al.	
2013/0334479 A1 *	12/2013	Yoder	254/266
2014/0001427 A1 *	1/2014	Fretz et al.	254/342
2014/0252286 A1 *	9/2014	Averill et al.	254/344
2014/0257631 A1 *	9/2014	Heravi et al.	701/36

* cited by examiner

Primary Examiner — Cynthia Ramirez

Assistant Examiner — Gino Colan

(74) *Attorney, Agent, or Firm* — Alleman Hall McCoy
Russell & Tuttle LLP

(57) **CLAIM**

The ornamental design for a winch, as shown and described.

DESCRIPTION

FIG. 1 is a front view of a winch according to the present disclosure.

FIG. 2 is a back view of the winch of FIG. 1.

FIG. 3 is a top view of the winch of FIG. 1.

FIG. 4 is a bottom view of the winch of FIG. 1.

FIG. 5 is a right view of the winch of FIG. 1.

FIG. 6 is a left view of the winch of FIG. 1; and,

FIG. 7 is a front perspective view of a winch of FIG. 1.

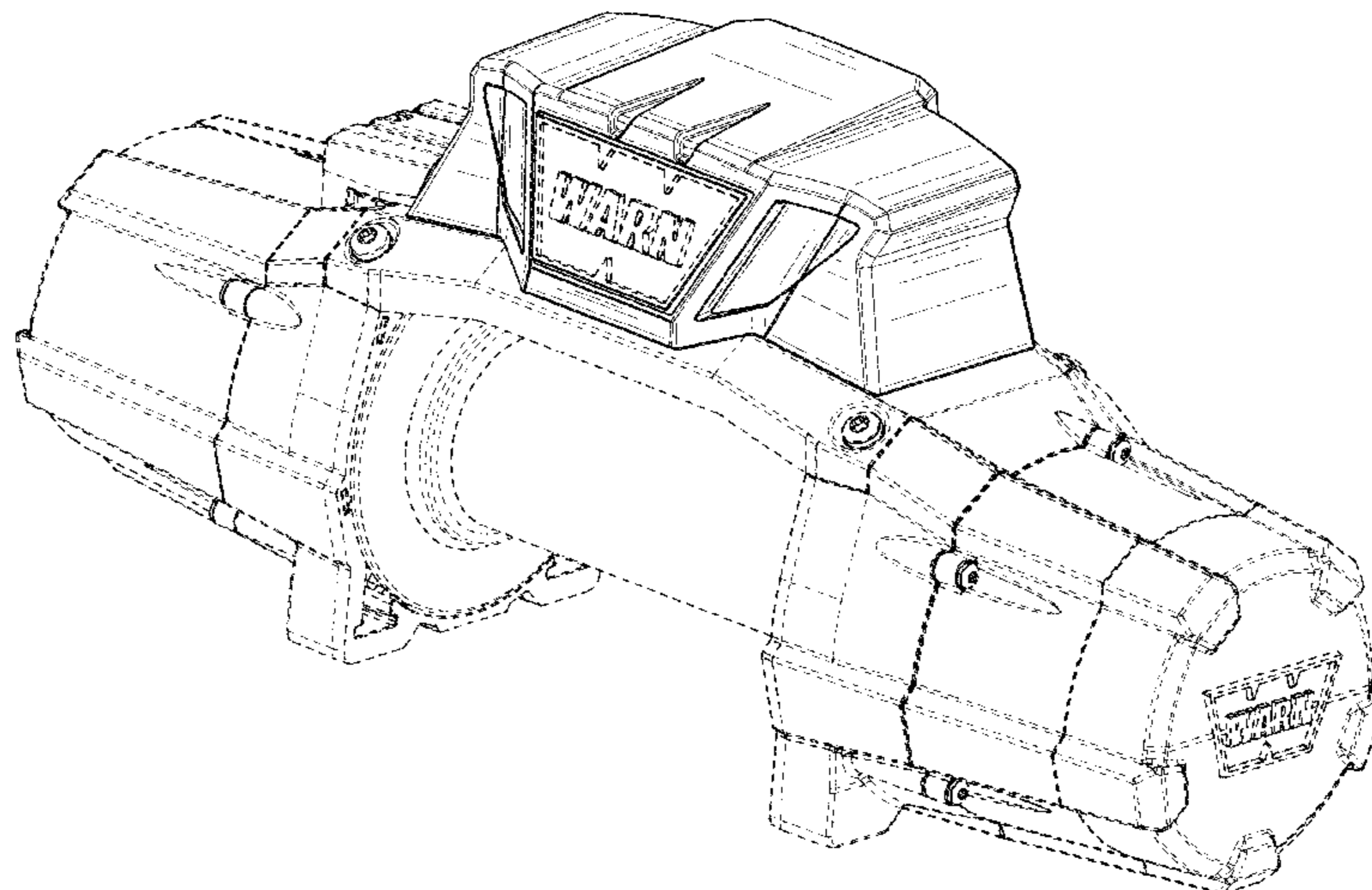
The broken line showing in the figures is for the purpose of illustrating portions of the winch and forms no part of the claimed design.

1 Claim, 6 Drawing Sheets

(56) **References Cited**

U.S. PATENT DOCUMENTS

1,550,114 A	8/1925	Simpson	
2,360,713 A	10/1944	Parker	
2,365,141 A	12/1944	Sully	
3,190,617 A	6/1965	Burrows	
4,103,872 A	8/1978	Hirasuka	
5,098,068 A	3/1992	Jussila	
5,170,885 A	12/1992	Guenther et al.	
5,482,255 A	1/1996	Daschel et al.	
6,073,917 A	6/2000	Plummer	
D471,338 S *	3/2003	Hodge	D34/33
D473,992 S	4/2003	Hodge	
6,601,828 B2	8/2003	Strbuncelj et al.	



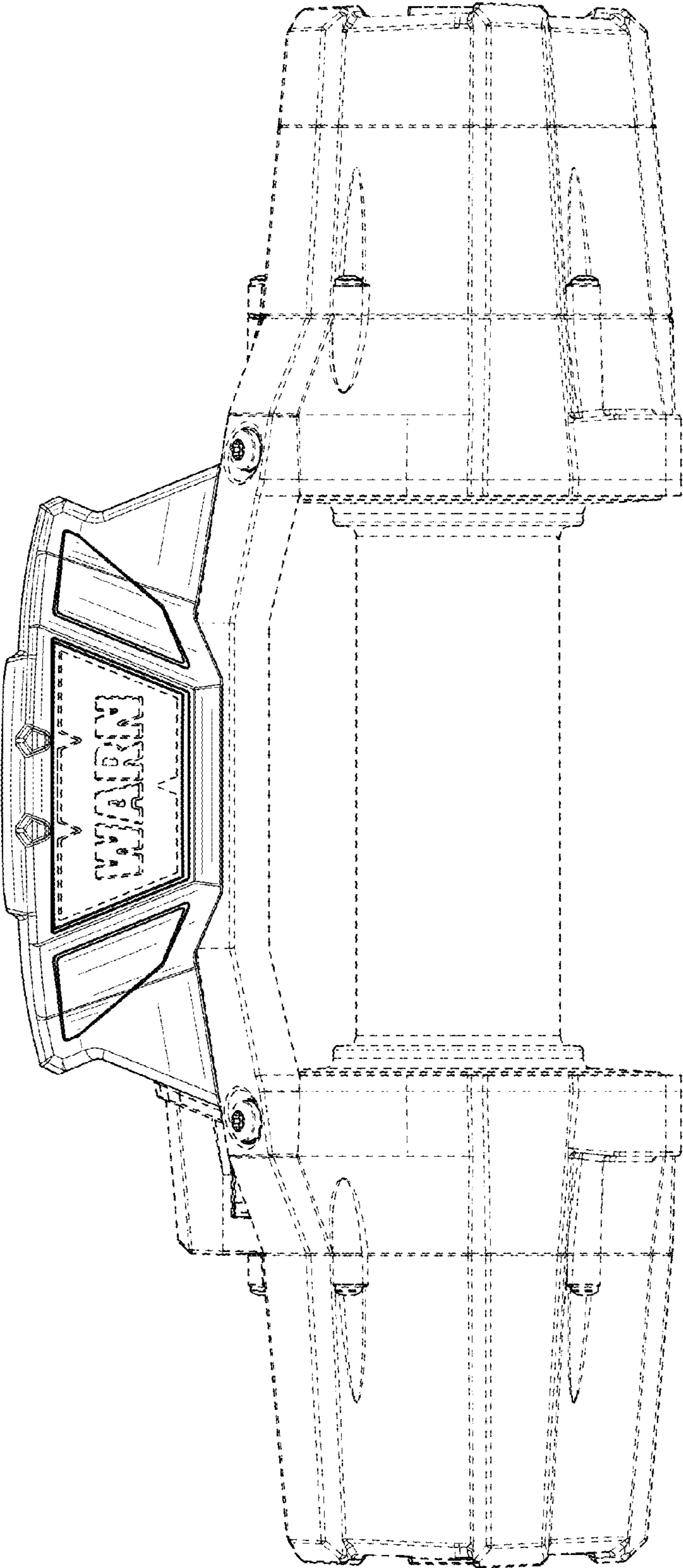


FIG. 1

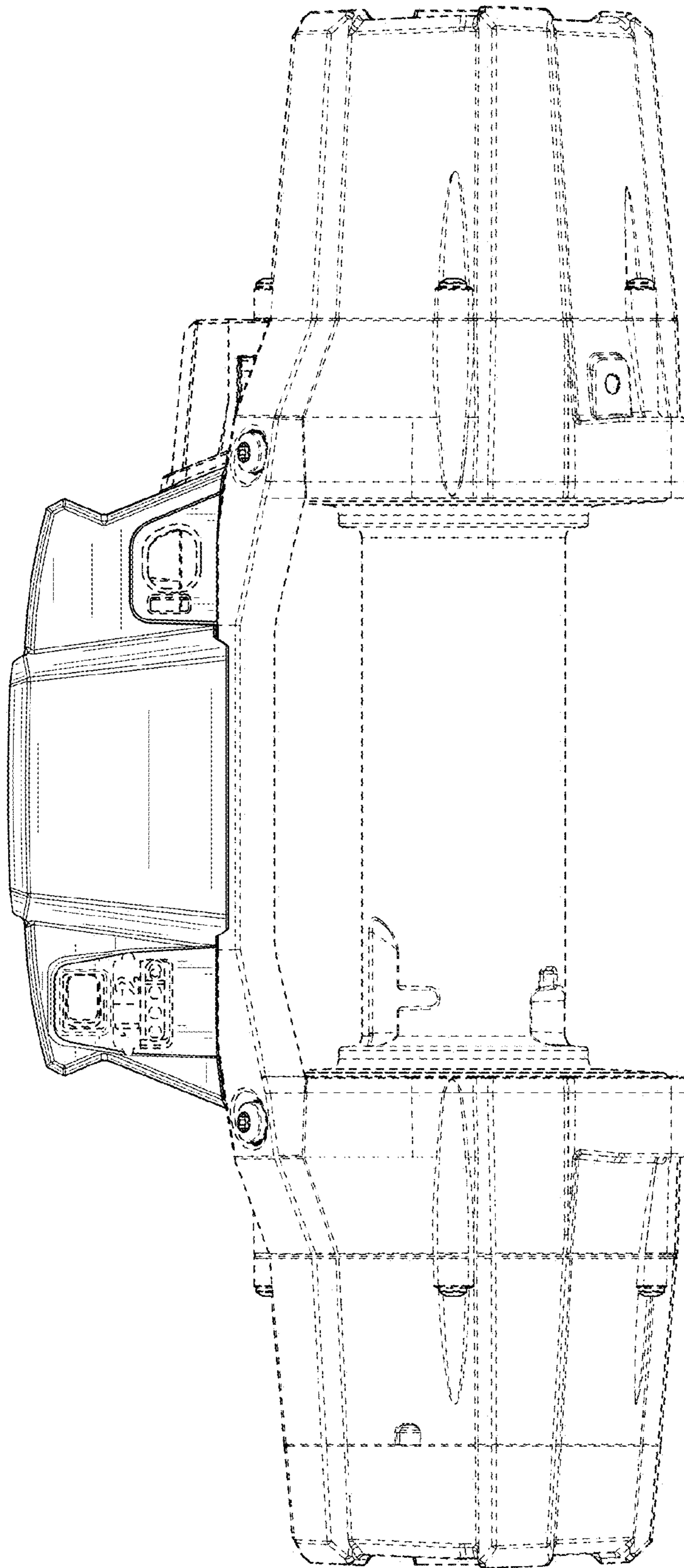


FIG. 2

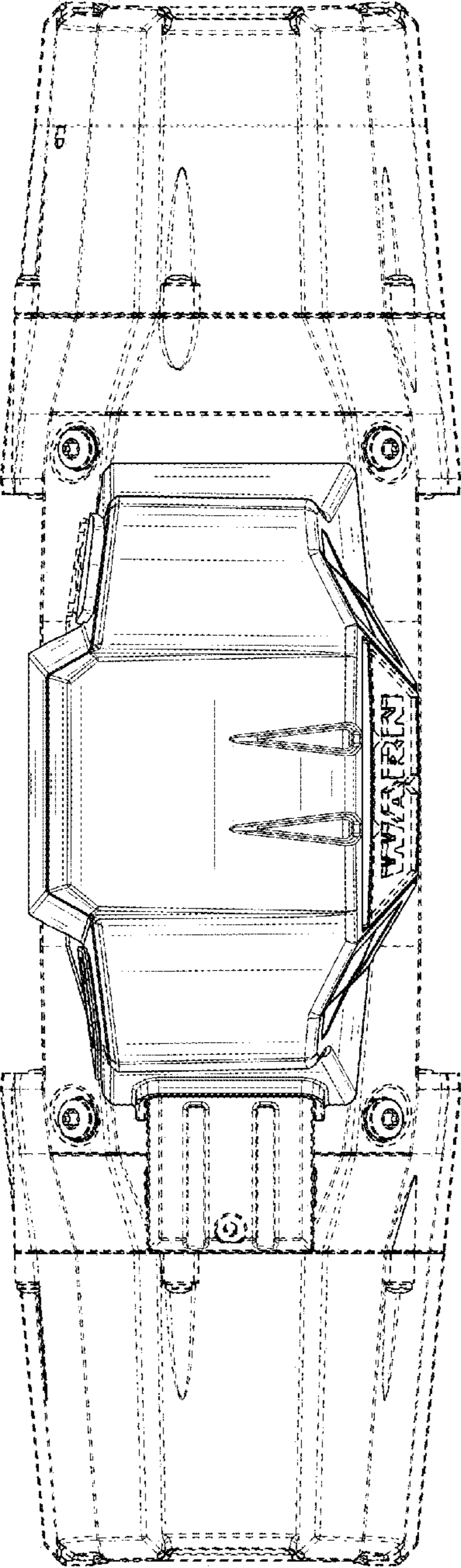


FIG. 3

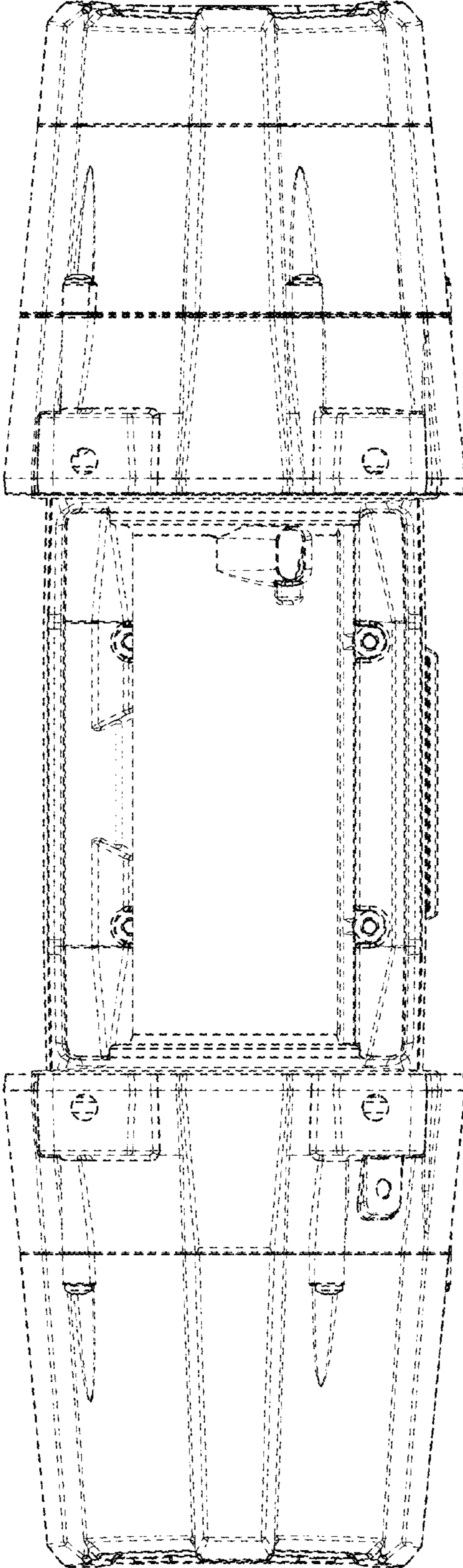


FIG. 4

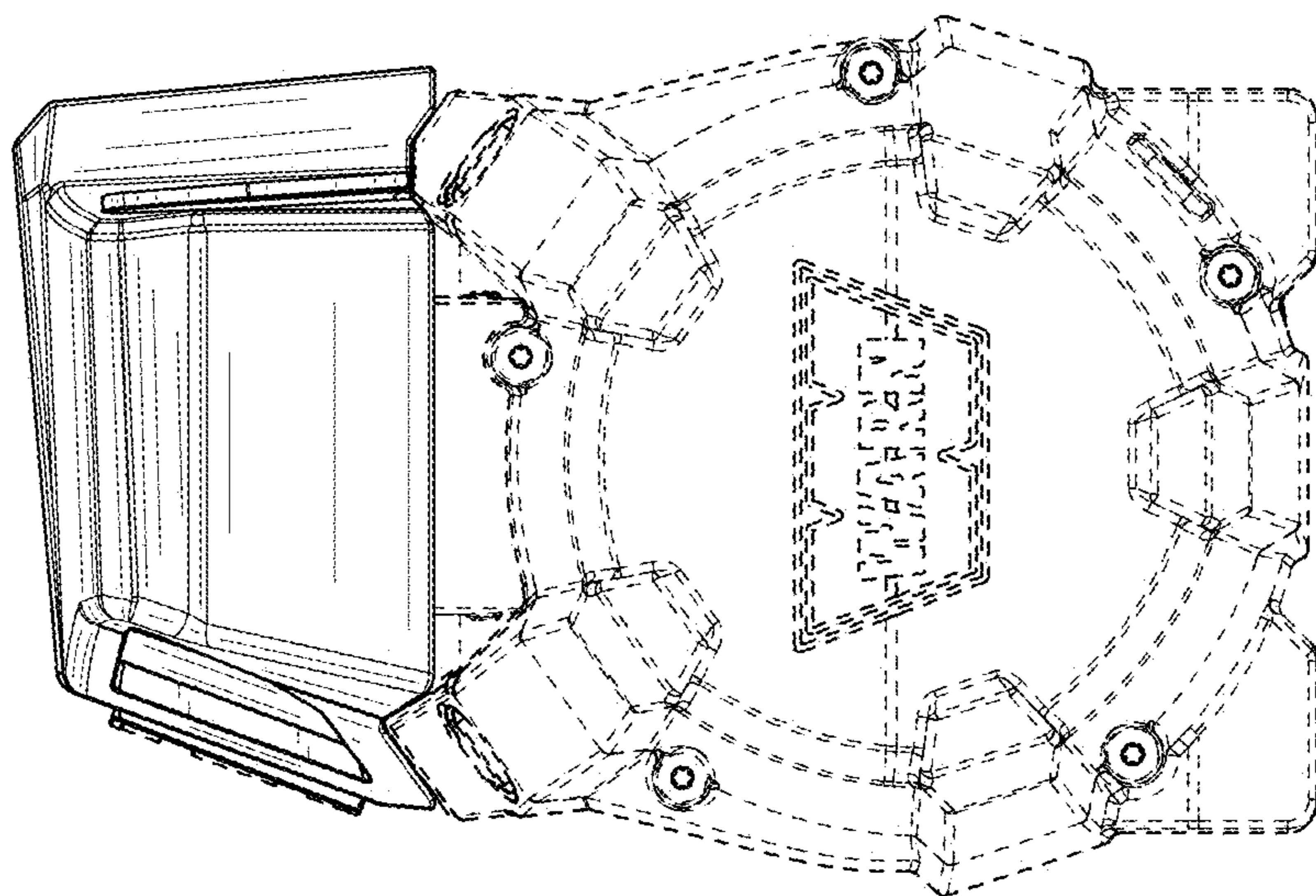


FIG. 6

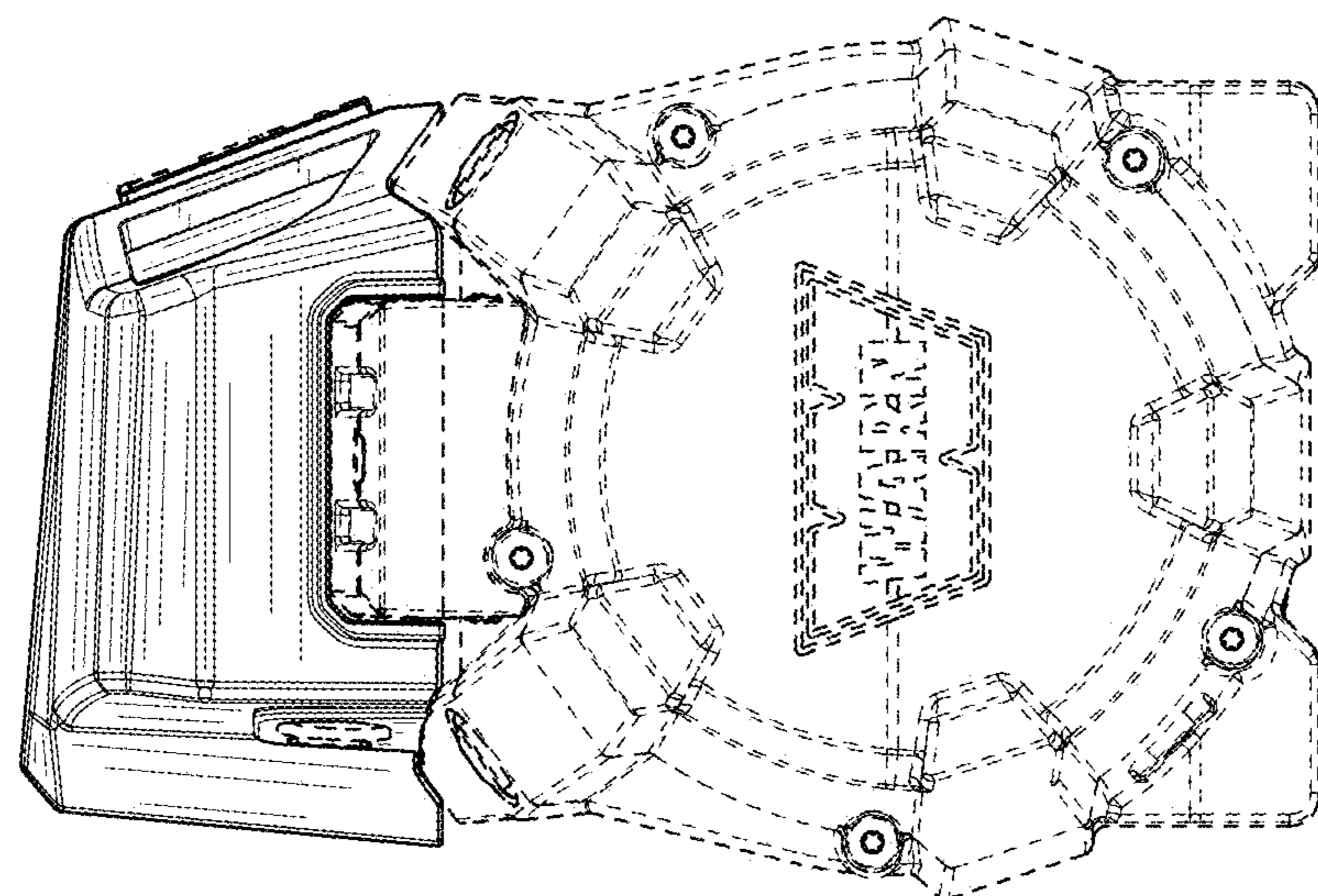


FIG. 5

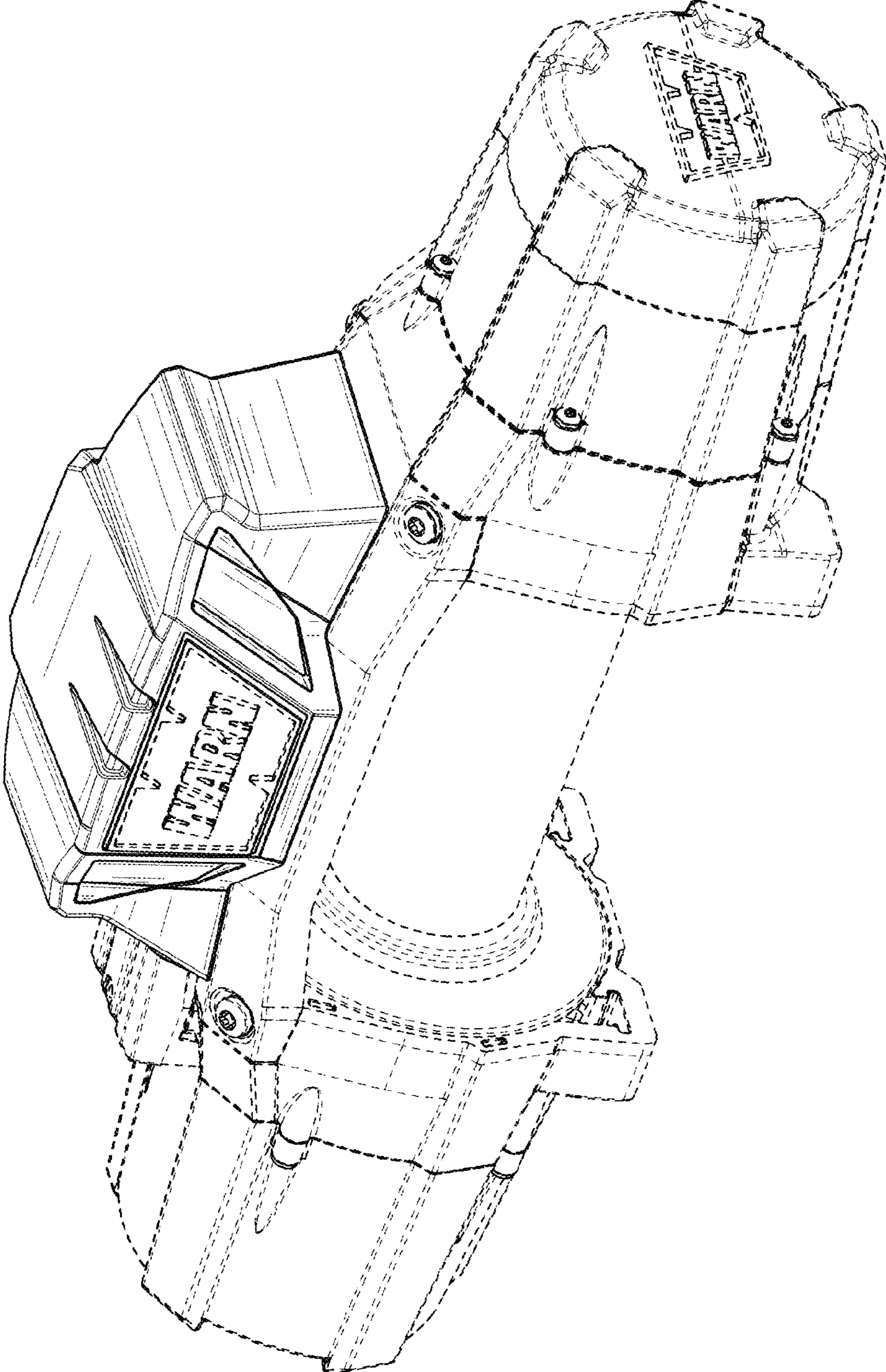


FIG. 7