



US00D744188S

(12) **United States Design Patent**
van der Zijde et al.

(10) **Patent No.:** **US D744,188 S**
(45) **Date of Patent:** **** Nov. 24, 2015**

- (54) **HOIST**
- (71) Applicant: **PROLYTE PRODUCTS B.V.**, Leek (NL)
- (72) Inventors: **Michiel van der Zijde**, Donkerbroek (NL); **Jasper van der Sluis**, Drachten (NL)
- (73) Assignee: **PROLYTE PRODUCTS B.V.**, Leek (NL)
- (**) Term: **14 Years**
- (21) Appl. No.: **29/465,277**
- (22) Filed: **Aug. 26, 2013**

3,960,362	A *	6/1976	Griffiths et al.	254/276
3,971,971	A *	7/1976	Wycoff	318/743
4,462,570	A *	7/1984	Gagnet	254/268
4,635,903	A *	1/1987	Broyden et al.	254/362
D309,969	S *	8/1990	Tamura	D34/33
5,899,441	A *	5/1999	Kuivamaki et al.	254/366
D411,364	S *	6/1999	Sasaki et al.	D34/33
6,105,939	A *	8/2000	Vance et al.	254/405
6,209,852	B1 *	4/2001	George et al.	254/372
D540,003	S *	4/2007	Hagihara et al.	D34/33
7,344,121	B1 *	3/2008	Pan	254/346
D571,973	S *	6/2008	Burns et al.	D34/33
8,096,528	B2 *	1/2012	Weingartner et al.	254/358
D655,883	S *	3/2012	Hiroshima	D34/33
D674,163	S *	1/2013	Tarkiainen et al.	D34/33
D677,853	S *	3/2013	Gans et al.	D34/33
D679,474	S *	4/2013	Beaussart et al.	D34/33
D704,411	S *	5/2014	Ishikawa et al.	D34/33
D704,412	S *	5/2014	Ishikawa et al.	D34/33

(Continued)

(30) **Foreign Application Priority Data**

Mar. 1, 2013 (WO) DM/080 261

(51) **LOC (10) Cl.** **12-05**

(52) **U.S. Cl.**
USPC **D34/33**

(58) **Field of Classification Search**
USPC D34/28-39; 254/372, 270, 346, 350, 254/266, 359, 366, 276, 360, 268, 390, 334, 254/389, 358, 405; 248/339; 318/743, 749; 477/22; 415/150
CPC B66D 1/46; B66D 3/18; B66D 1/36; B66D 1/7489; B66D 3/20; B66D 3/04; B66D 3/16; B66D 5/30; B66D 1/04; B66D 1/12; B66D 1/14; B66D 1/20; B66D 1/225; B66D 1/30; B66D 1/34; B66D 1/485; B66D 3/06

See application file for complete search history.

(56) **References Cited**

U.S. PATENT DOCUMENTS

2,175,037 A * 10/1939 Smith 477/22
3,032,016 A * 5/1962 Smith 415/150

Primary Examiner — Cynthia Ramirez

Assistant Examiner — Gino Colan

(74) *Attorney, Agent, or Firm* — Epstein Drangel LLP; Robert L. Epstein

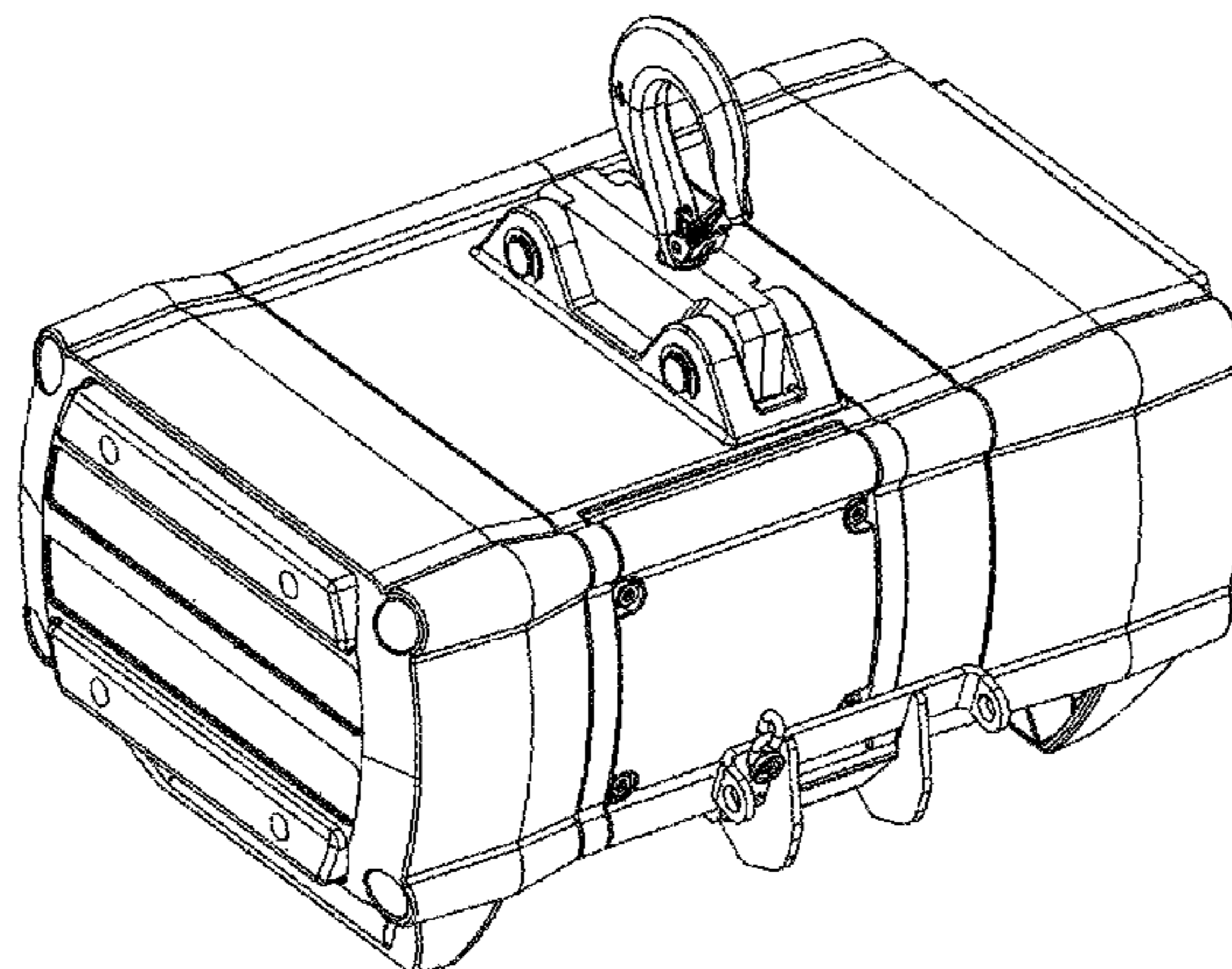
(57) **CLAIM**

The ornamental design for a hoist, as shown and described.

DESCRIPTION

FIG. 1 is a perspective view showing the top, back and left side of the design;
FIG. 2 is a front elevation view of the invention;
FIG. 3 is a back elevation view of the invention;
FIG. 4 is a top elevation view of the invention;
FIG. 5 is a bottom elevation view of the invention;
FIG. 6 is a left-side elevation view of the invention; and,
FIG. 7 is a right-side elevation view of the invention.
The broken lines shown in FIG. 5 are for the purpose of illustrating portions of the hoist and form no part of the claimed design.

1 Claim, 4 Drawing Sheets



(56)

References Cited

U.S. PATENT DOCUMENTS

D704,413 S * 5/2014 Ishikawa et al. D34/33
D704,414 S * 5/2014 Ishikawa et al. D34/33
D704,415 S * 5/2014 Ishikawa et al. D34/33
D705,515 S * 5/2014 Bernard D34/33

D706,514 S * 6/2014 Weingartner D34/33
2008/0265810 A1 * 10/2008 Pan 318/258
2010/0006808 A1 * 1/2010 Weingartner et al. 254/372
2012/0000876 A1 * 1/2012 Bergenstrale et al. 212/336
2012/0187356 A1 * 7/2012 Lawson et al. 254/266
2012/0241699 A1 * 9/2012 Vigneau et al. 254/359
2013/0221809 A1 * 8/2013 Hiroshima 310/60 R

* cited by examiner

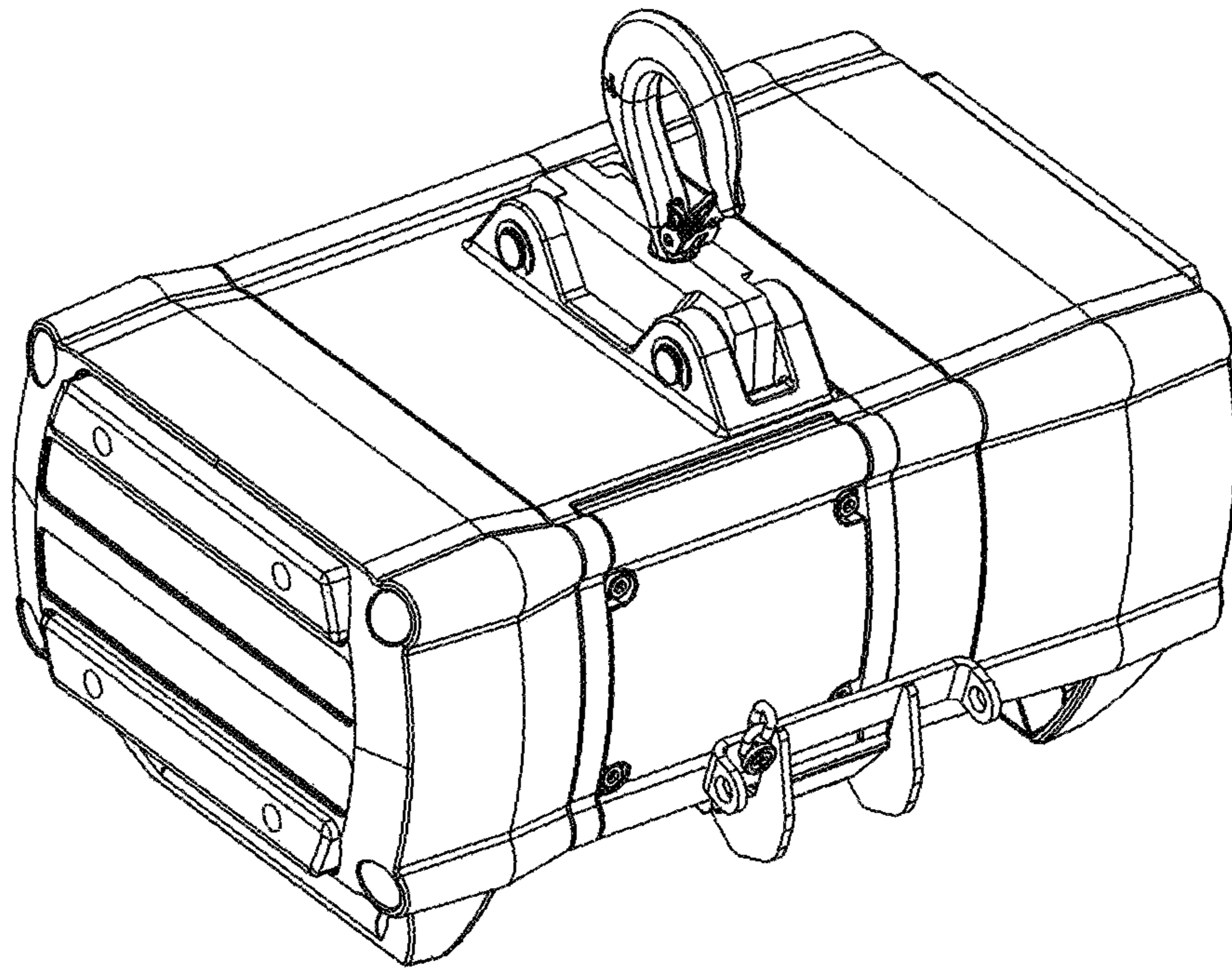


Fig. 1

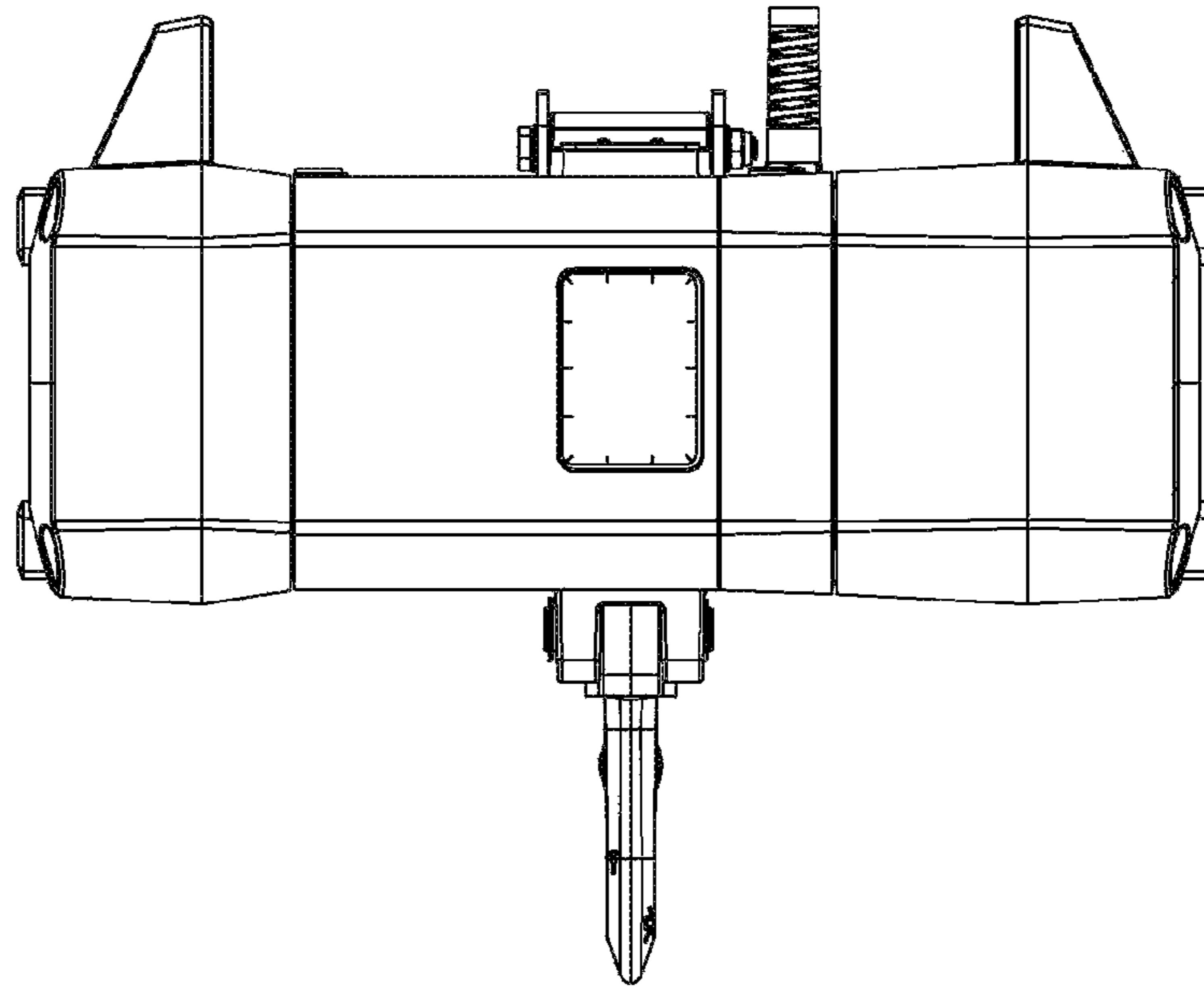


Fig. 2

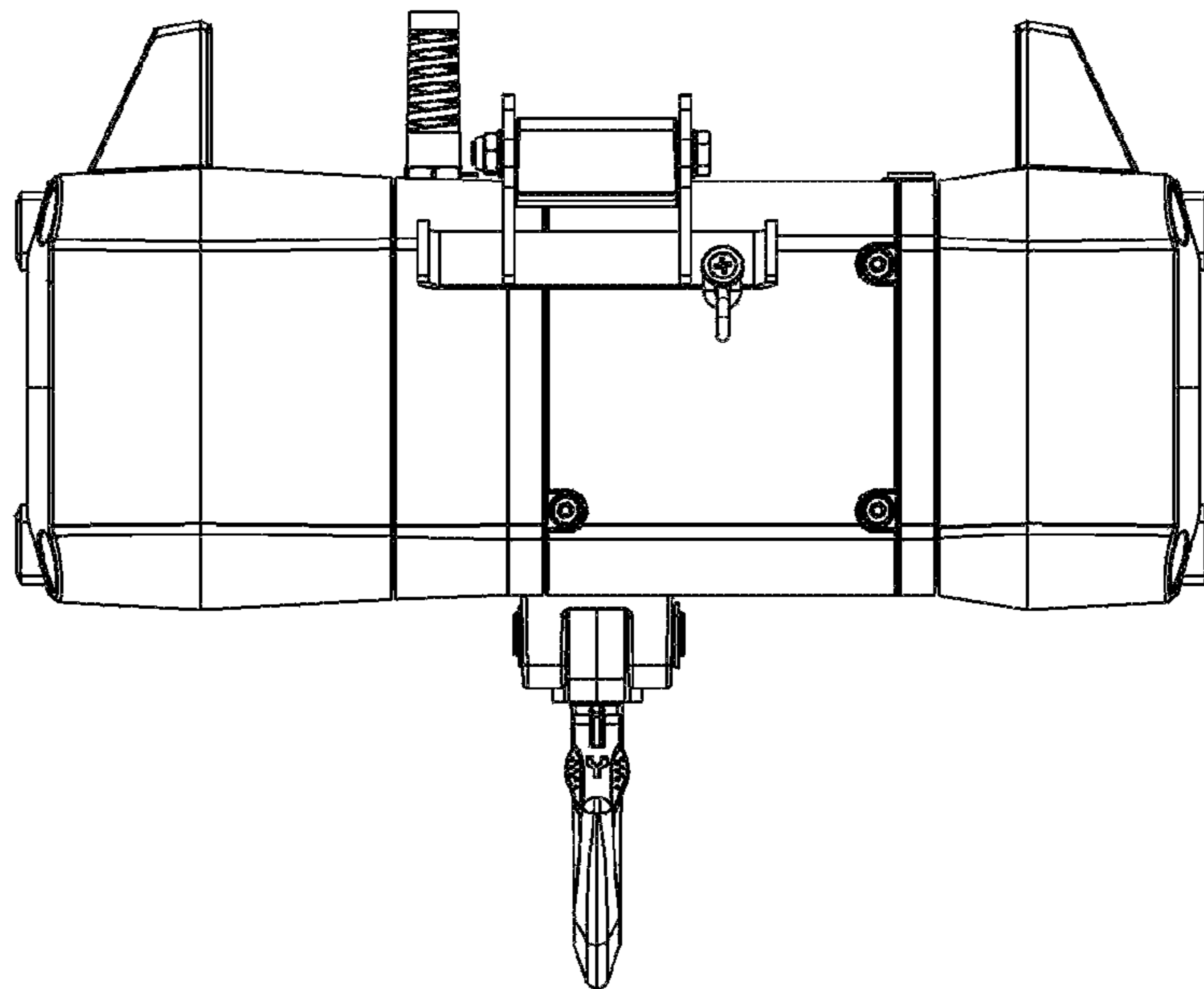


Fig. 3

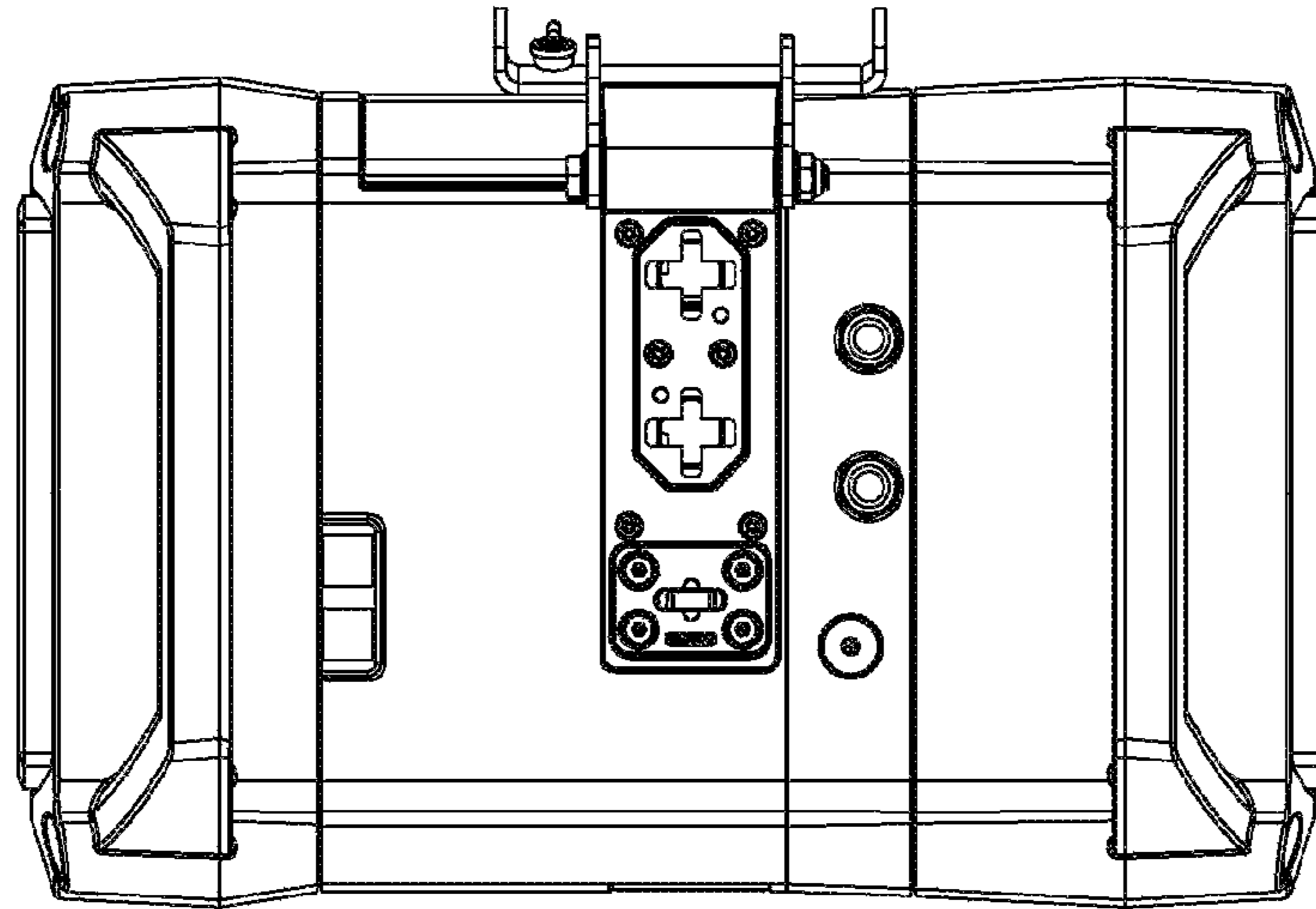


Fig. 4

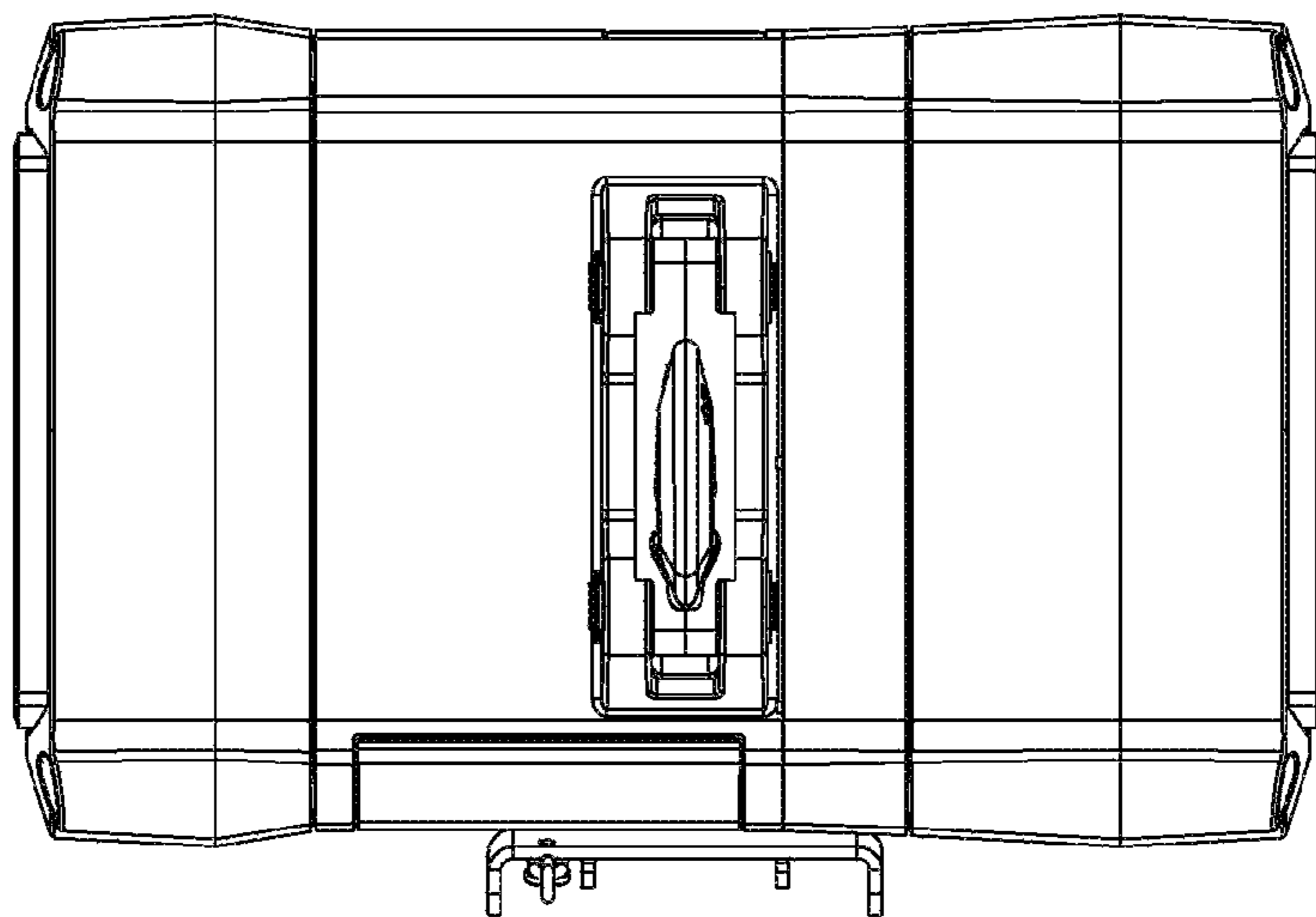


Fig. 5

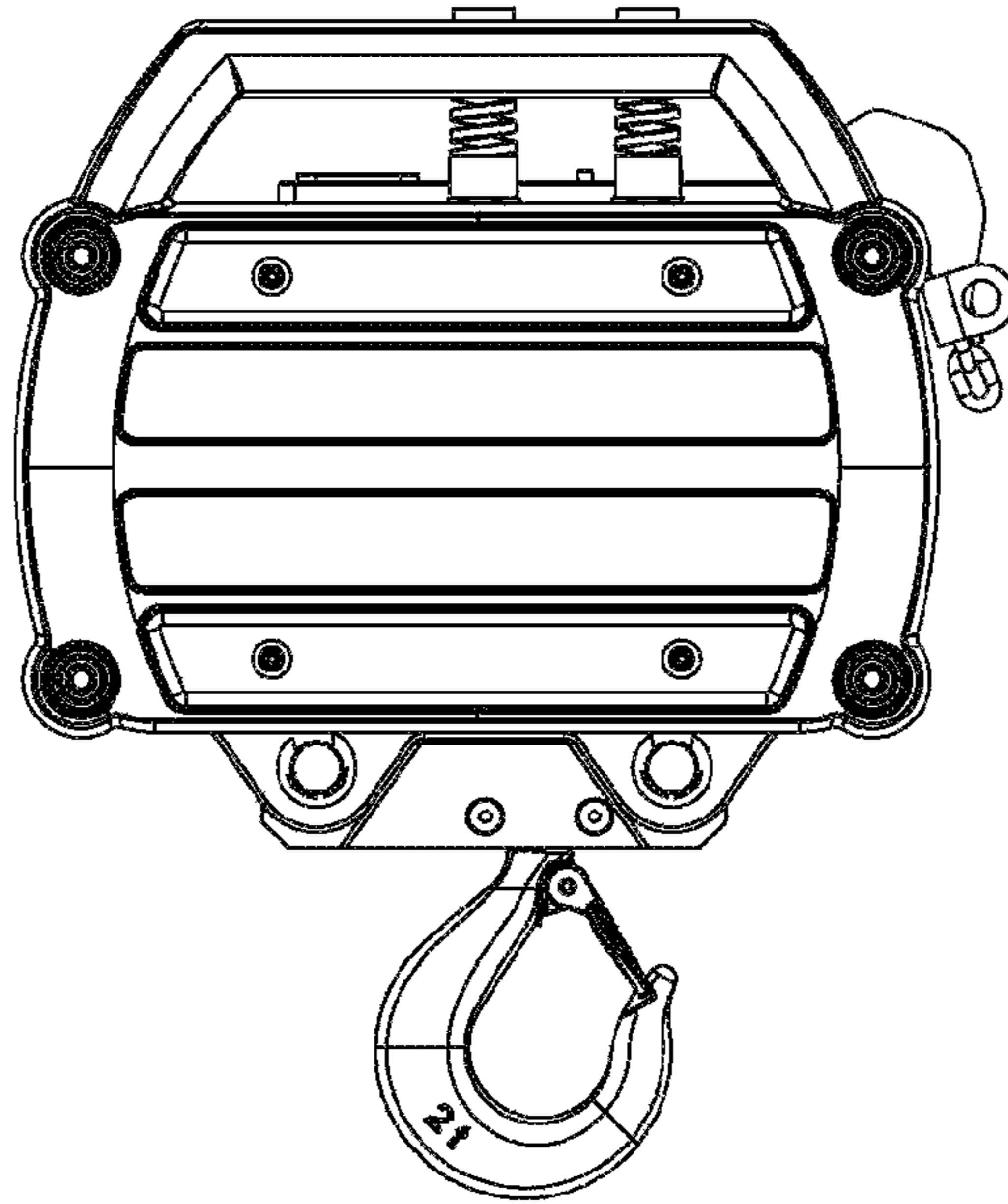


Fig. 6

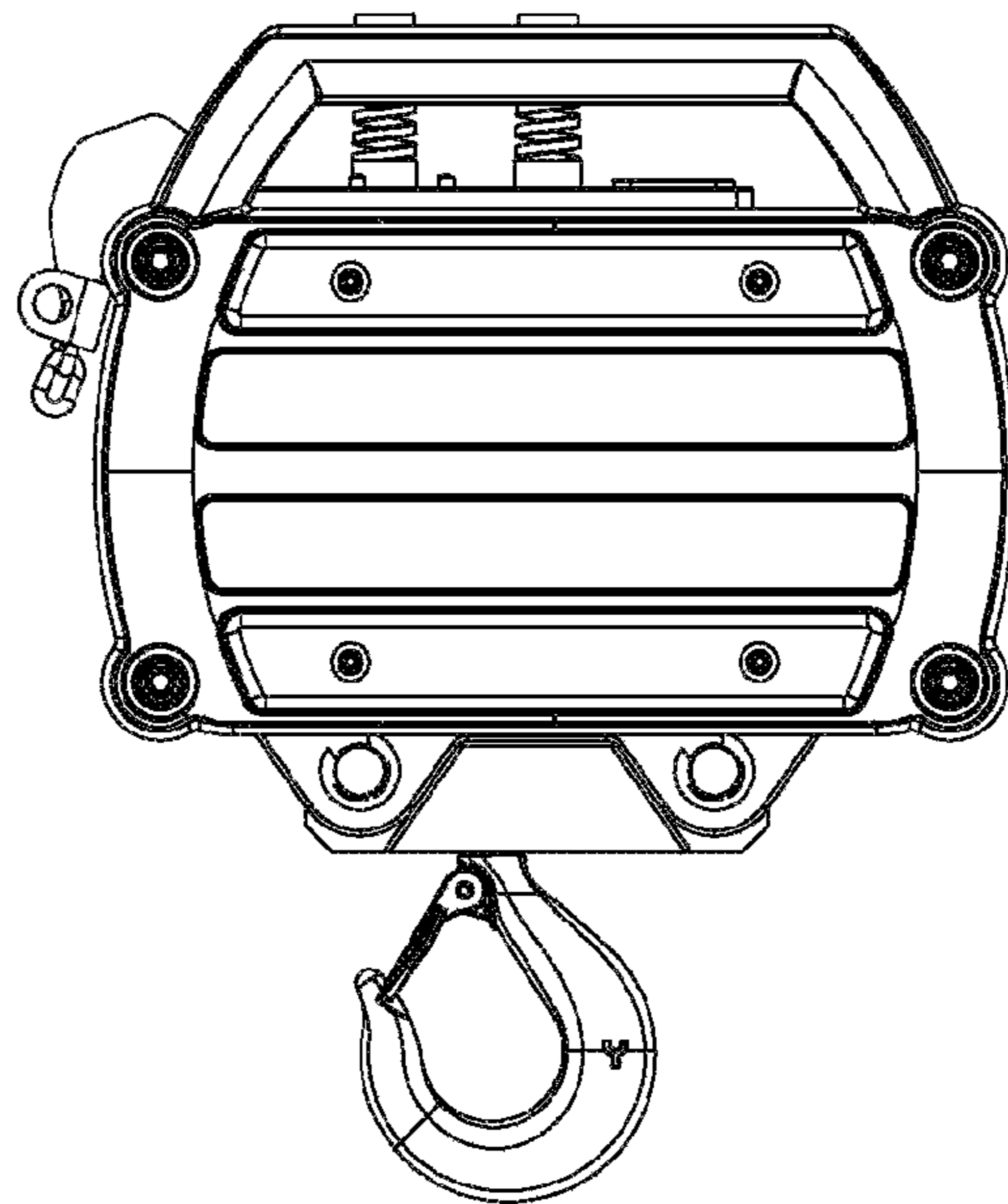


Fig. 7