



US00D744184S

(12) **United States Design Patent**
Yoon

(10) **Patent No.:** **US D744,184 S**
(45) **Date of Patent:** **** Nov. 24, 2015**

(54) **CLEANER**

(71) Applicant: **Samsung Electronics Co., Ltd.**,
Suwon-Si, Gyeonggi-Do (KR)

(72) Inventor: **Ki Hyun Yoon**, Busan (KR)

(73) Assignee: **Samsung Electronics Co., Ltd.**,
Gyeonggi-Do (KR)

(**) Term: **14 Years**

(21) Appl. No.: **29/499,847**

(22) Filed: **Aug. 19, 2014**

(30) **Foreign Application Priority Data**

Feb. 20, 2014 (KR) 30-2014-0008685

(51) **LOC (10) Cl.** **15-05**

(52) **U.S. Cl.**
USPC **D32/31**

(58) **Field of Classification Search**
USPC D32/31, 21, 22, 24, 34; 15/350-353,
15/361-362, 347, 410-411, 414, 320-322,
15/329, 335, 246.2, 1.7, 340.2, DIG. 10
CPC A47L 5/24; A47L 11/34; A47L 5/362;
A47L 19/1666; A47L 9/325; B01D 45/12;
B01D 50/002
See application file for complete search history.

(56) **References Cited**

U.S. PATENT DOCUMENTS

4,447,930 A * 5/1984 Glenn et al. 15/322
5,075,921 A * 12/1991 Gleadall 15/322

5,722,110 A * 3/1998 McIntyre et al. 15/329
5,996,175 A * 12/1999 Fusco 15/410
6,263,539 B1 * 7/2001 Baig 15/322
D653,825 S * 2/2012 Cho et al. D32/22
D682,496 S * 5/2013 Bassett et al. D32/22
8,800,102 B1 * 8/2014 Massey 15/320
2006/0156510 A1 * 7/2006 Park et al. 15/414
2009/0019663 A1 * 1/2009 Rowntree 15/347

* cited by examiner

Primary Examiner — Ruth McInroy

(74) *Attorney, Agent, or Firm* — Harness, Dickey & Pierce,
P.L.C.

(57) **CLAIM**

I claim the ornamental design for a cleaner, as shown and described.

DESCRIPTION

FIG. 1 is the front perspective view of cleaner showing my new design;
FIG. 2 is the front view thereof;
FIG. 3 is the rear view thereof;
FIG. 4 is the left-side view thereof;
FIG. 5 is the right-side view thereof;
FIG. 6 is the top-side plan view thereof;
FIG. 7 is the bottom-side plan view thereof;
FIG. 8 is another right-side view thereof, as shown in an alternate configuration; and,
FIG. 9 is another right-side view thereof, as shown in an alternate configuration.
The broken lines are for environmental purposes only and form no part of the claimed design.

1 Claim, 9 Drawing Sheets

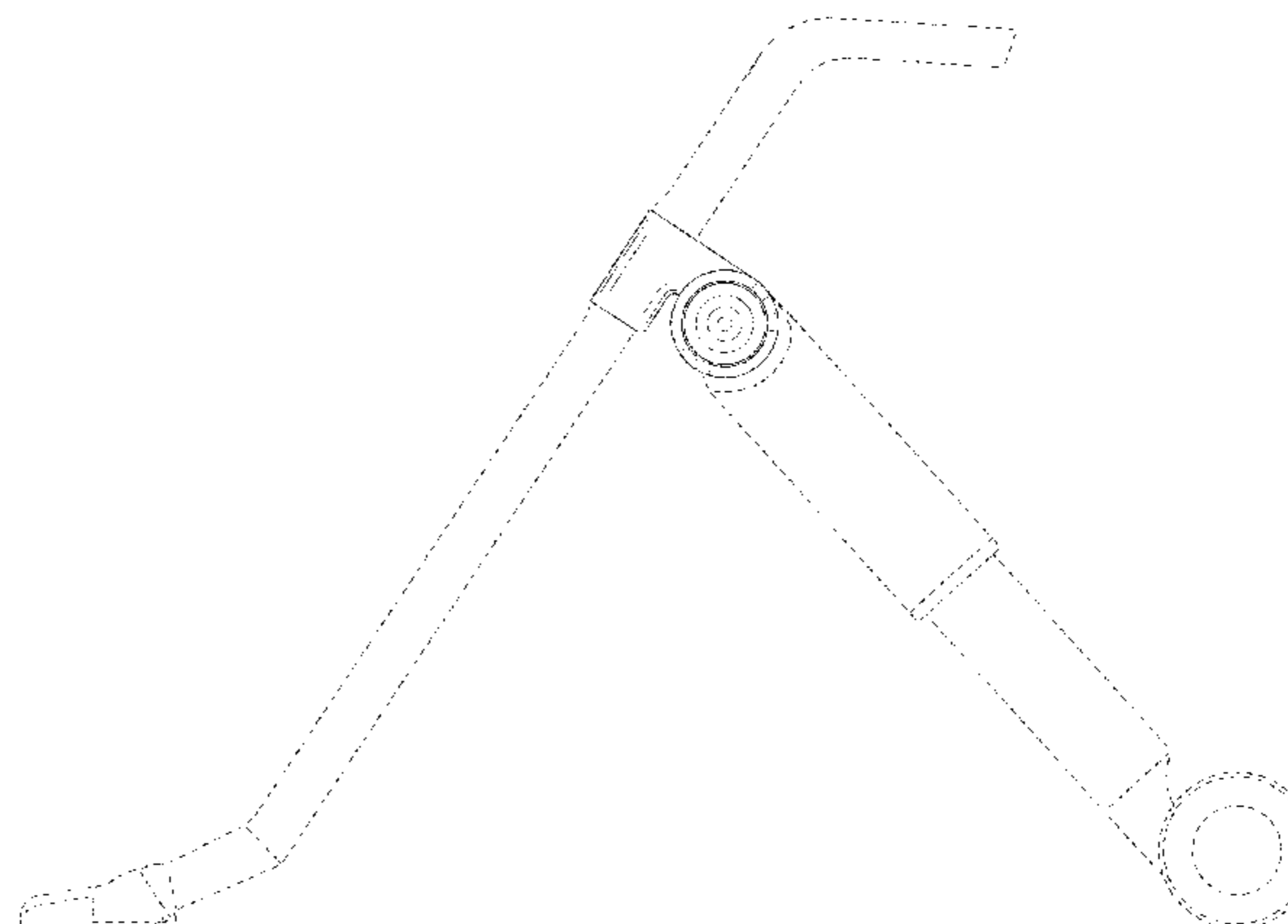
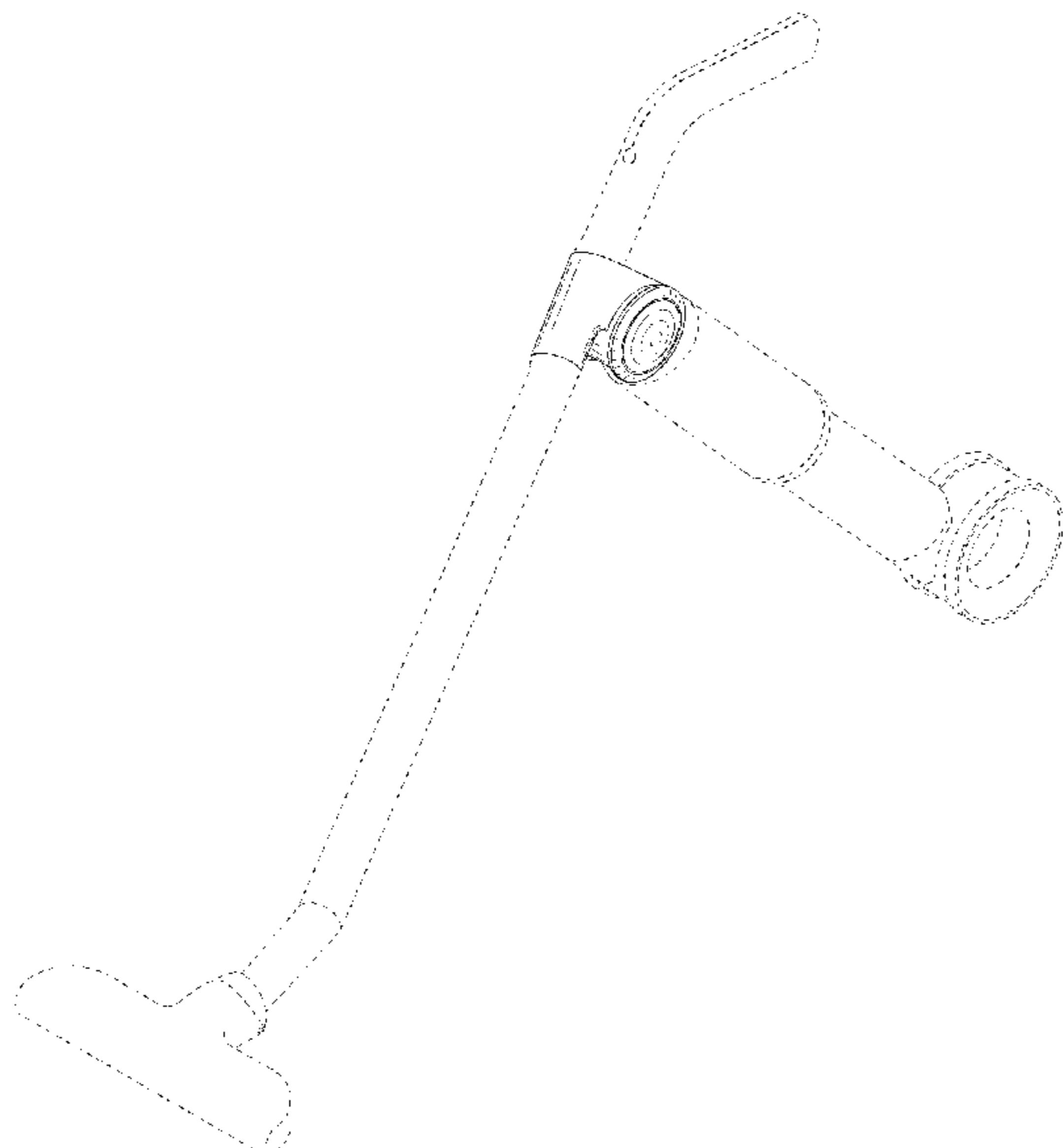


FIG. 1

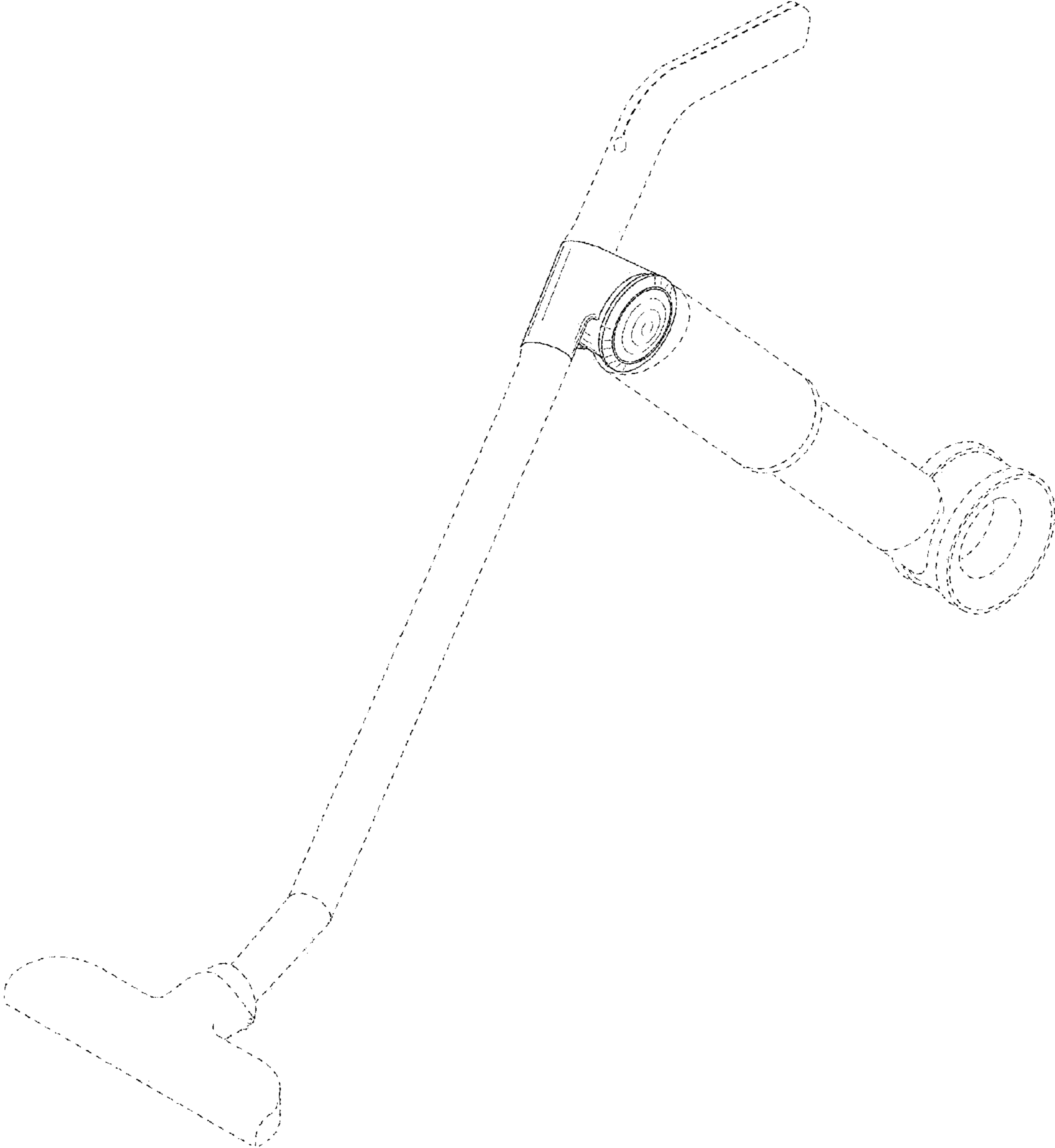


FIG. 2

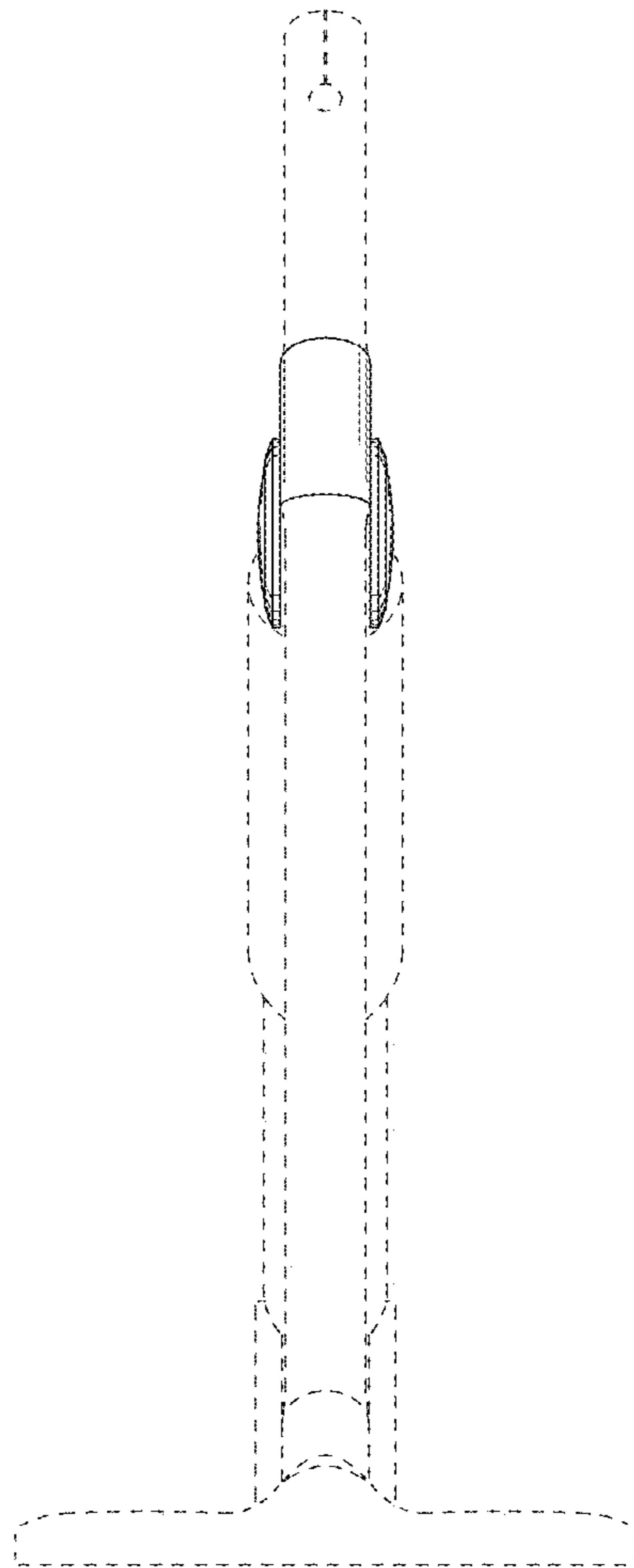


FIG. 3

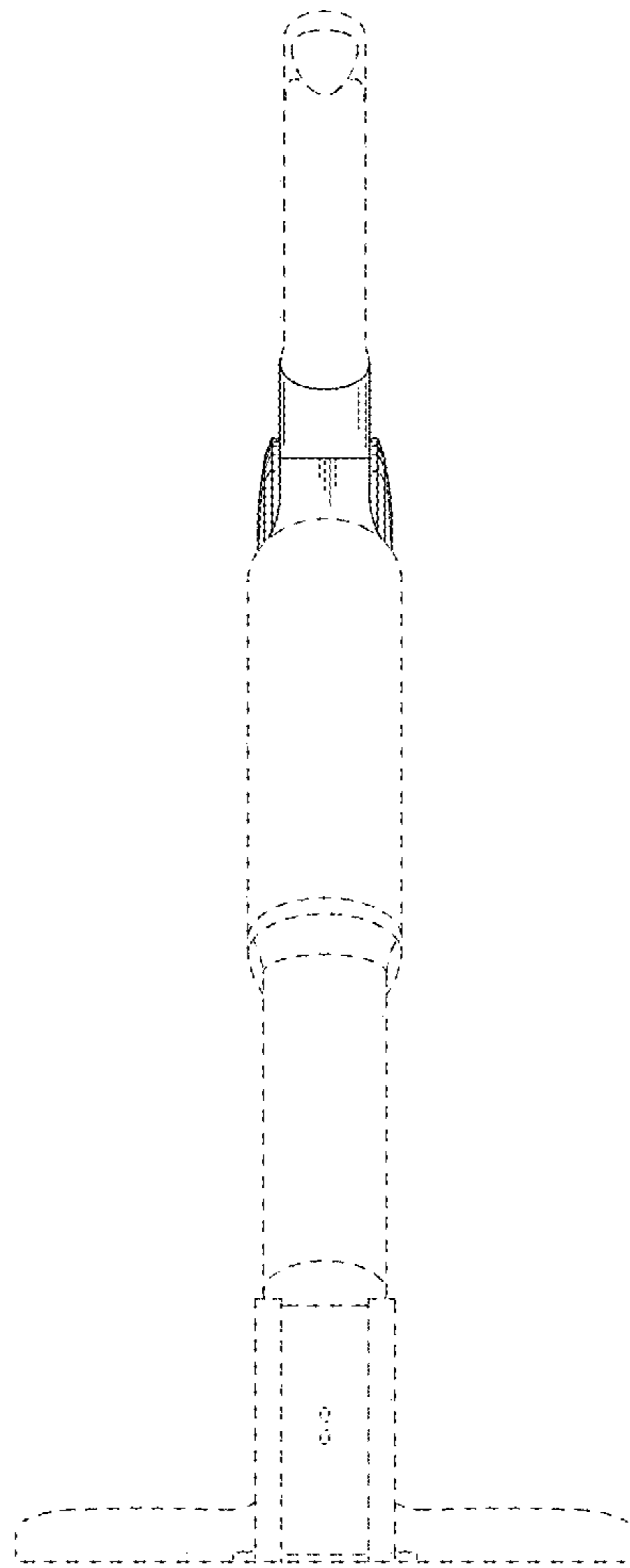


FIG. 4

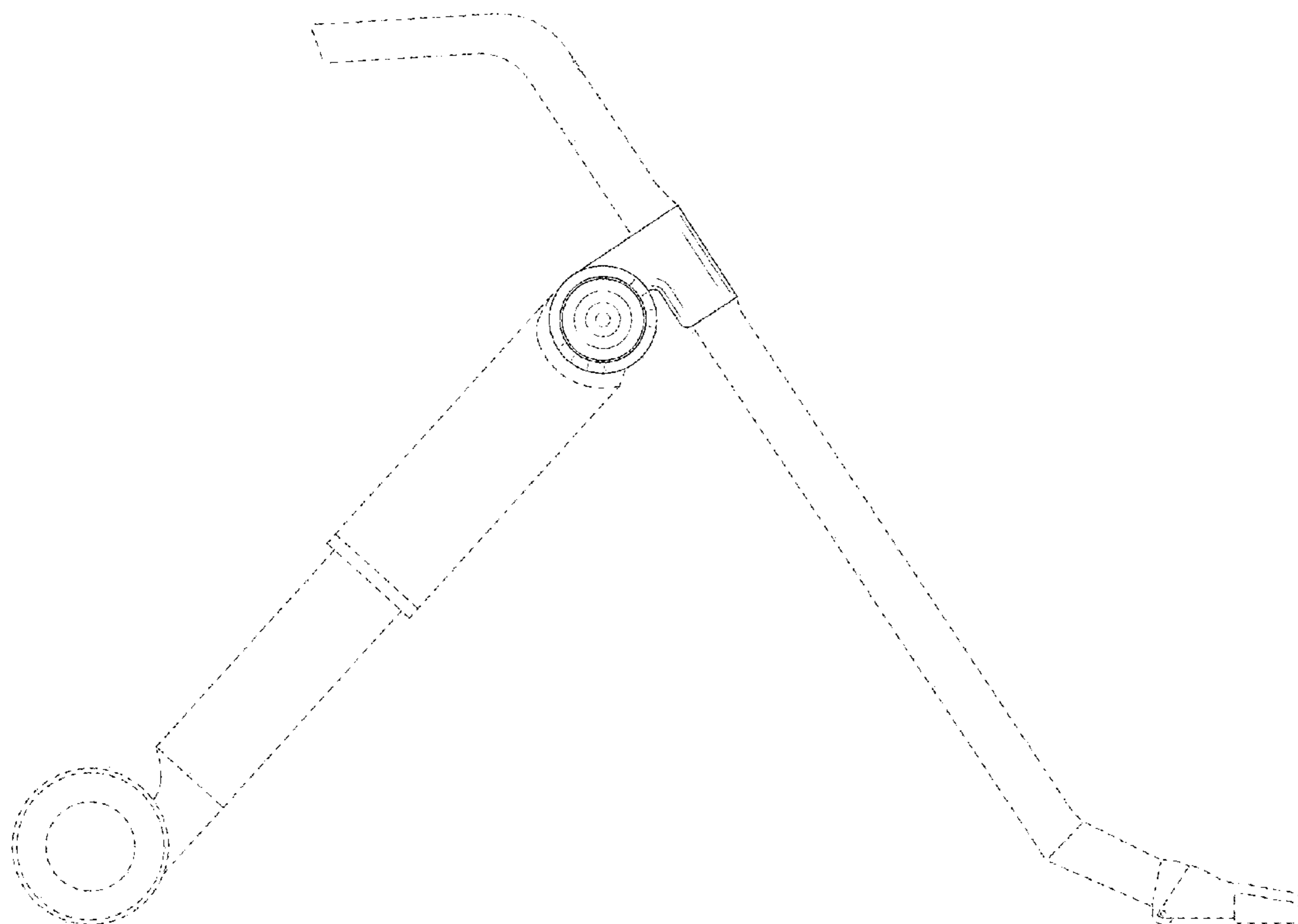


FIG. 5

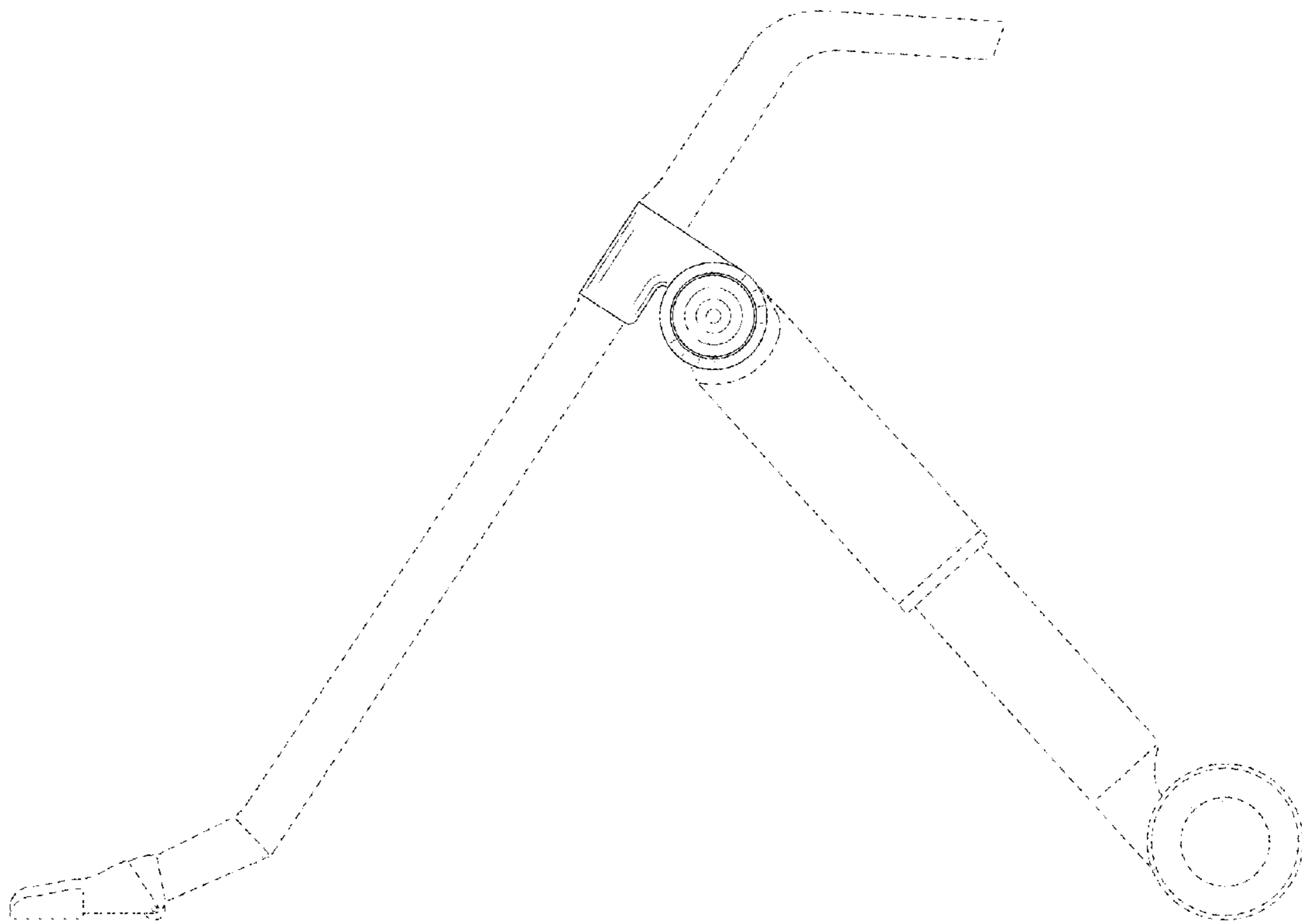


FIG. 6

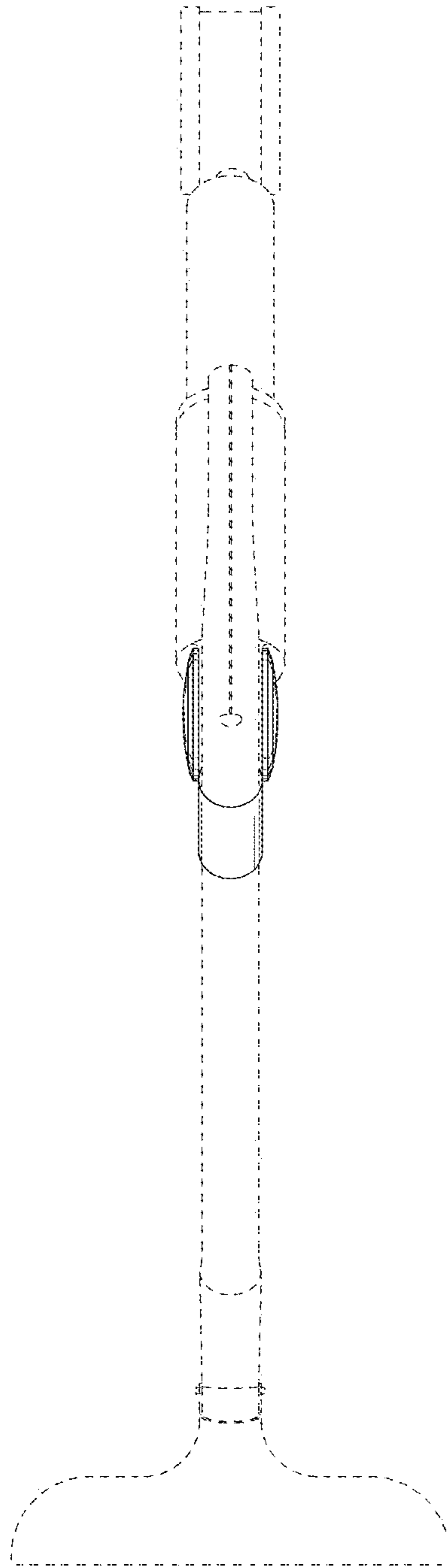


FIG. 7

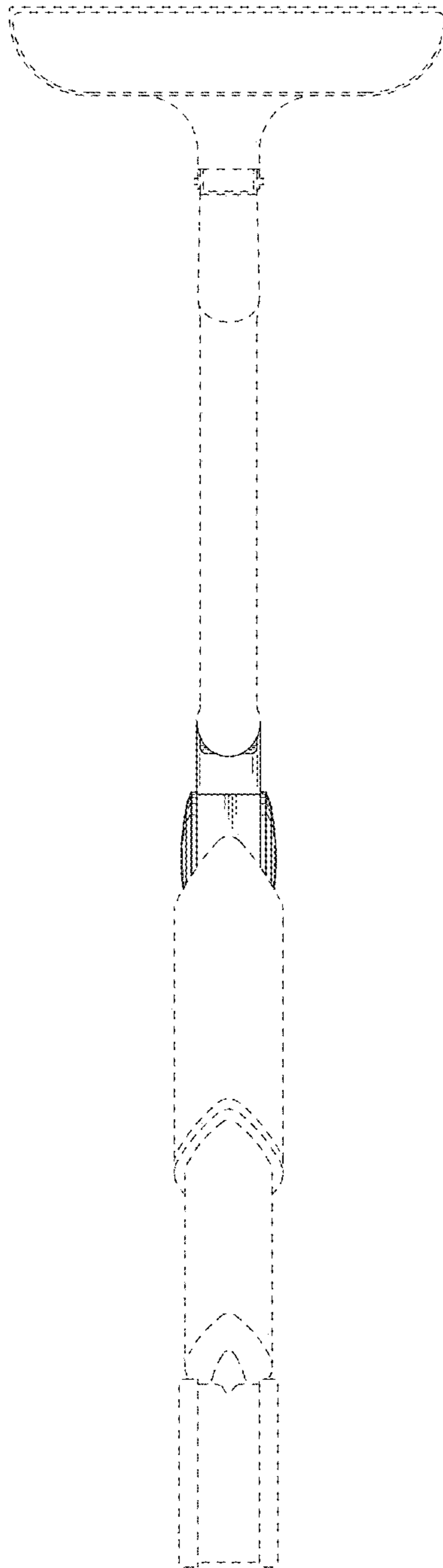


FIG. 8

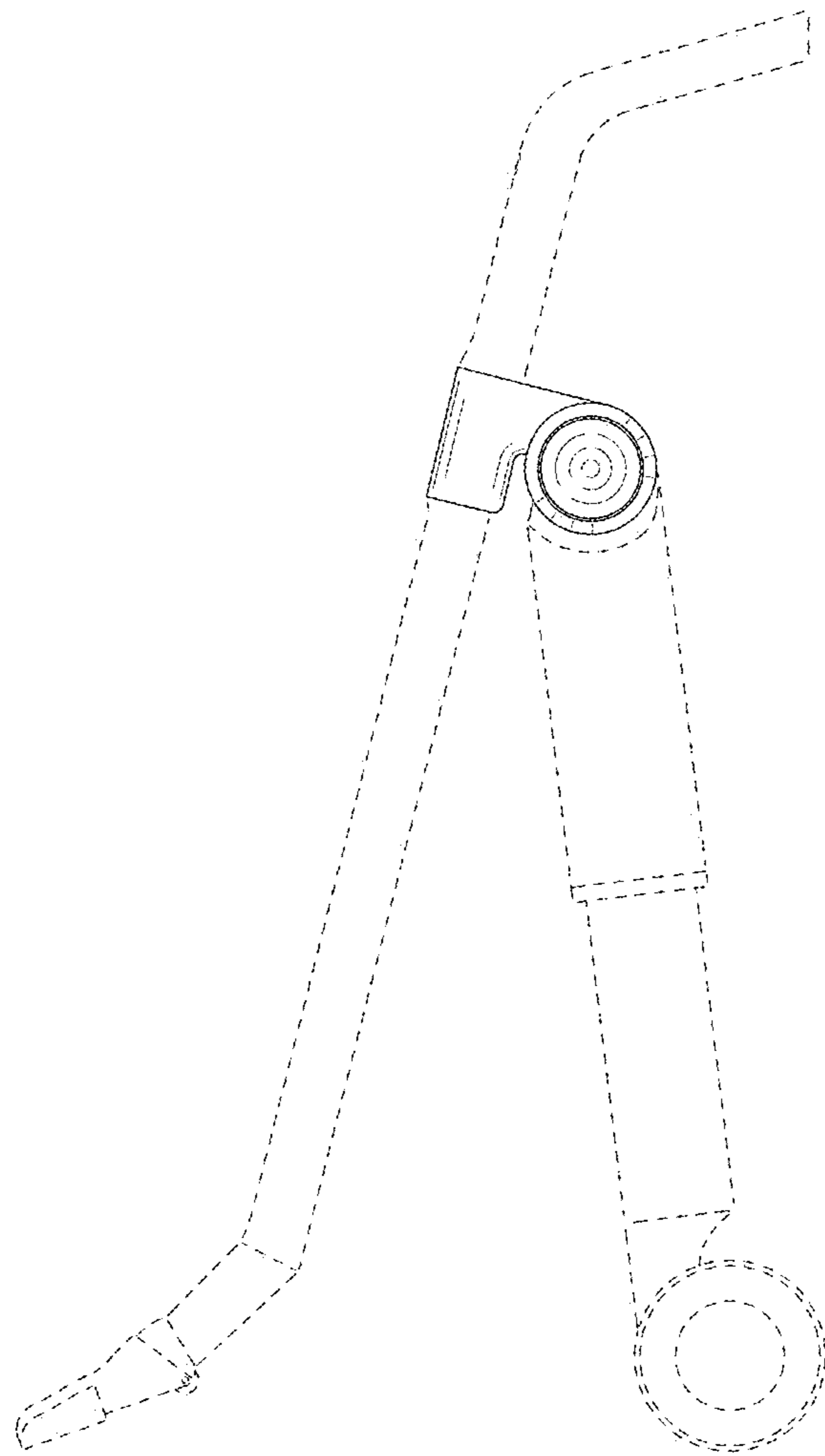


FIG. 9

