



US00D744183S

(12) **United States Design Patent**
Cheon et al.

(10) **Patent No.:** **US D744,183 S**
(45) **Date of Patent:** **** Nov. 24, 2015**

(54) **ROBOT CLEANER**

(71) Applicant: **Samsung Electronics Co., Ltd.**,
Suwon-si (KR)

(72) Inventors: **Dongwon Cheon**, Seoul (KR);
Kyoungmin Lee, Seoul (KR)

(73) Assignee: **Samsung Electronics Co., Ltd.**,
Suwon-si (KR)

(**) Term: **14 Years**

(21) Appl. No.: **29/485,505**

(22) Filed: **Mar. 19, 2014**

(30) **Foreign Application Priority Data**

Sep. 26, 2013 (KR) 30-2013-0049111

(51) **LOC (10) Cl.** **15-05**

(52) **U.S. Cl.**
USPC **D32/31**

(58) **Field of Classification Search**

USPC D32/19-21, 25, 31-33; D4/102, 127,
D4/128, 133, 136

CPC A47J 37/0713; A47L 9/2842; A47L
2201/00; A47L 5/30; A47L 5/28; A47L
5/362; A47L 9/04; A47L 11/24; A46B
13/005; A46B 13/001; A61C 17/26; G06N
3/008; B25J 9/1697; G01S 13/931; B62D
58/032; B62D 57/032; E01H 1/053; E01H
1/02

See application file for complete search history.

(56) **References Cited**

U.S. PATENT DOCUMENTS

D548,411	S	*	8/2007	Schroter	D32/21
D551,815	S	*	9/2007	Schroeter	D32/21
D593,265	S	*	5/2009	Carr et al.	D32/21
D659,920	S	*	5/2012	Lee et al.	D32/21
D661,032	S	*	5/2012	Lee et al.	D32/21
D665,547	S	*	8/2012	Nam et al.	D32/21
D669,235	S	*	10/2012	Bassett et al.	D32/21
D691,337	S	*	10/2013	Kim et al.	D32/21
D703,397	S	*	4/2014	Sungkyung et al.	D32/21
D704,400	S	*	5/2014	Shin et al.	D32/21
D714,002	S	*	9/2014	Casini	D32/21
D715,504	S	*	10/2014	Deoksang et al.	D32/21
D720,103	S	*	12/2014	Haug et al.	D32/21
2004/0204792	A1	*	10/2004	Taylor et al.	700/245
2014/0130290	A1	*	5/2014	Jang et al.	15/319
2014/0166047	A1	*	6/2014	Hillen et al.	134/6
2014/0259475	A1	*	9/2014	Doughty	15/52.1

* cited by examiner

Primary Examiner — Ruth McInroy
(74) *Attorney, Agent, or Firm* — NSIP Law

(57) **CLAIM**

We claim the ornamental design for a robot cleaner, as shown and described.

DESCRIPTION

FIG. 1 is a front perspective view of a robot cleaner showing our new design;

FIG. 2 is a front view thereof;

FIG. 3 is a rear view thereof;

FIG. 4 is a left-side view thereof;

FIG. 5 is a right-side view thereof;

FIG. 6 is a top view thereof; and,

FIG. 7 is a bottom view thereof.

The broken lines in the figures show portions of the robot cleaner which form no part of the claimed design.

1 Claim, 7 Drawing Sheets

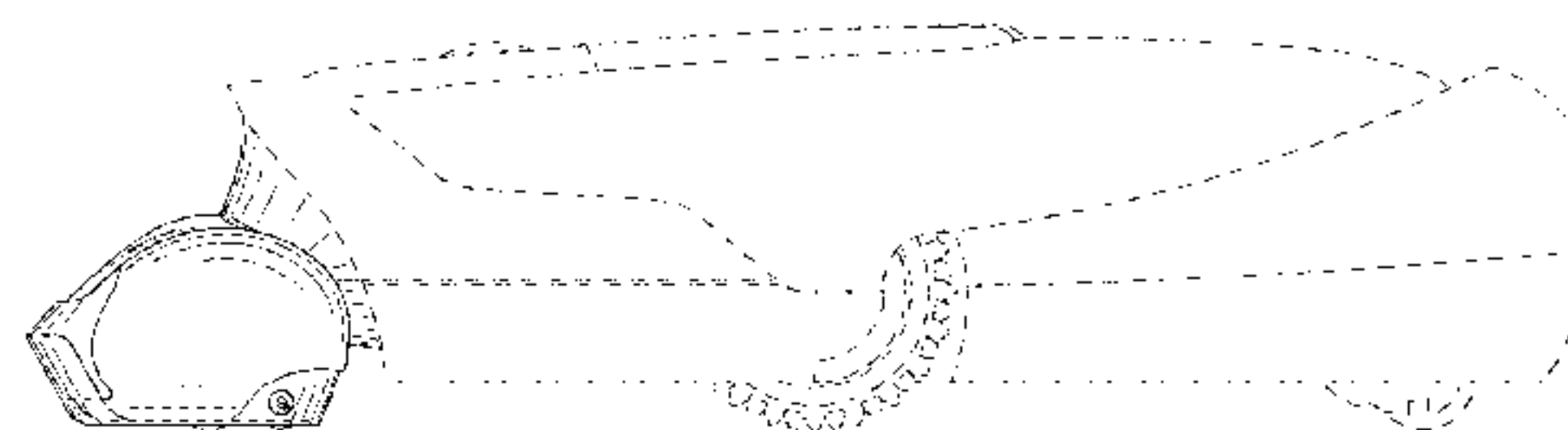
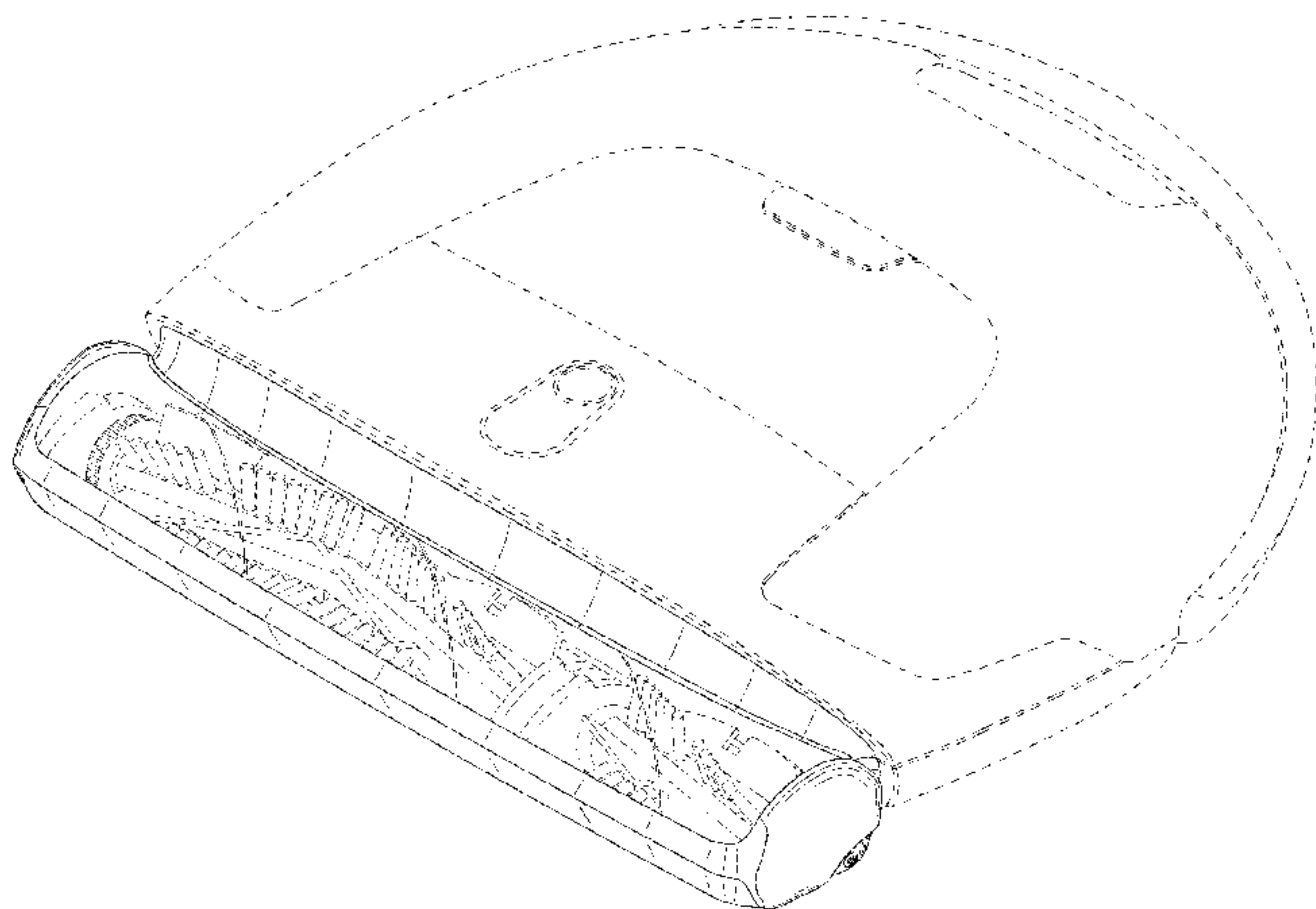


FIG. 1

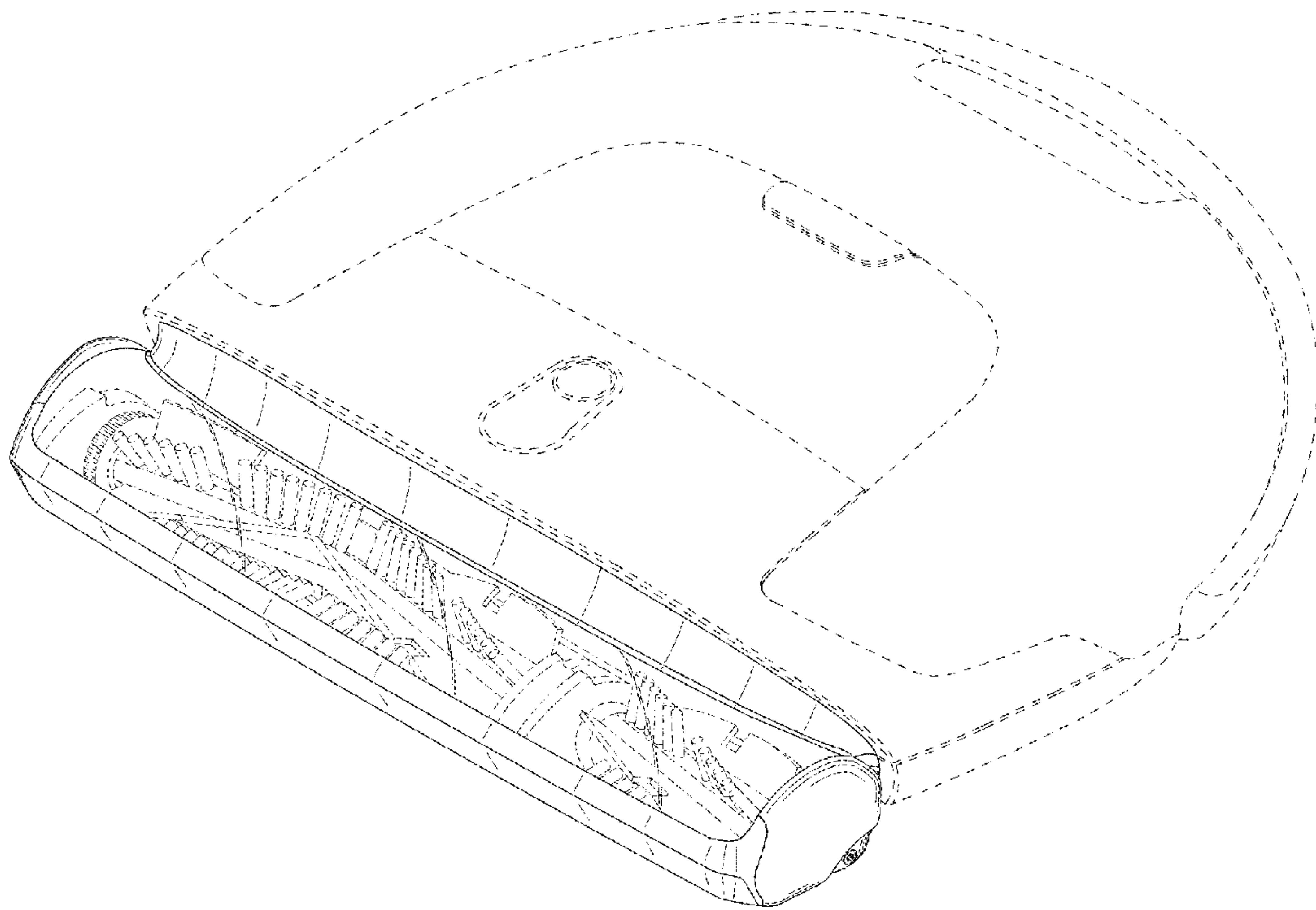


FIG. 2

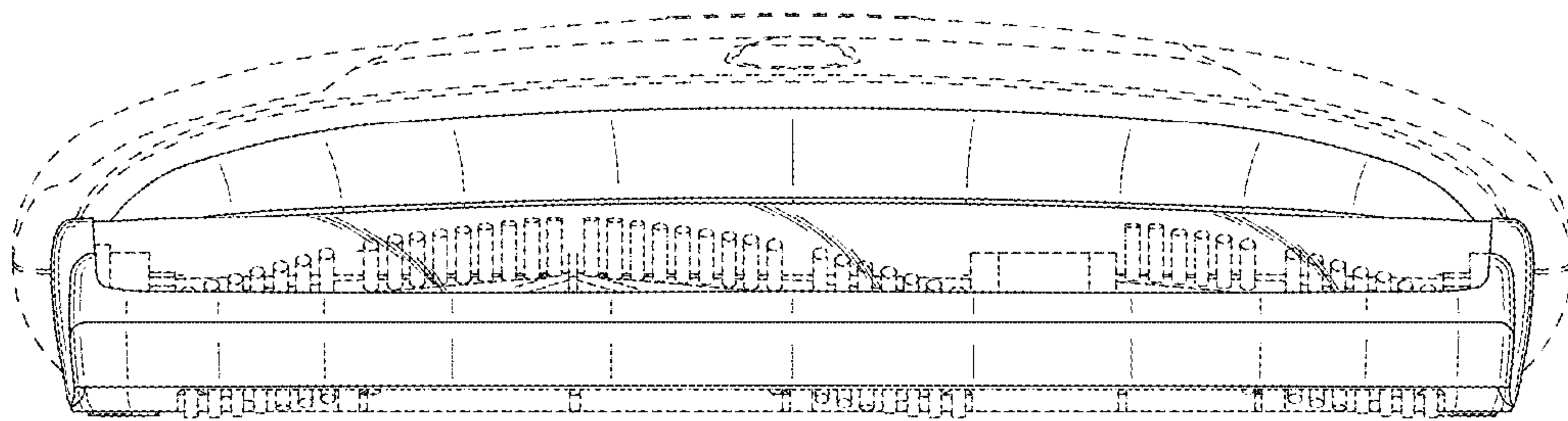


FIG. 3

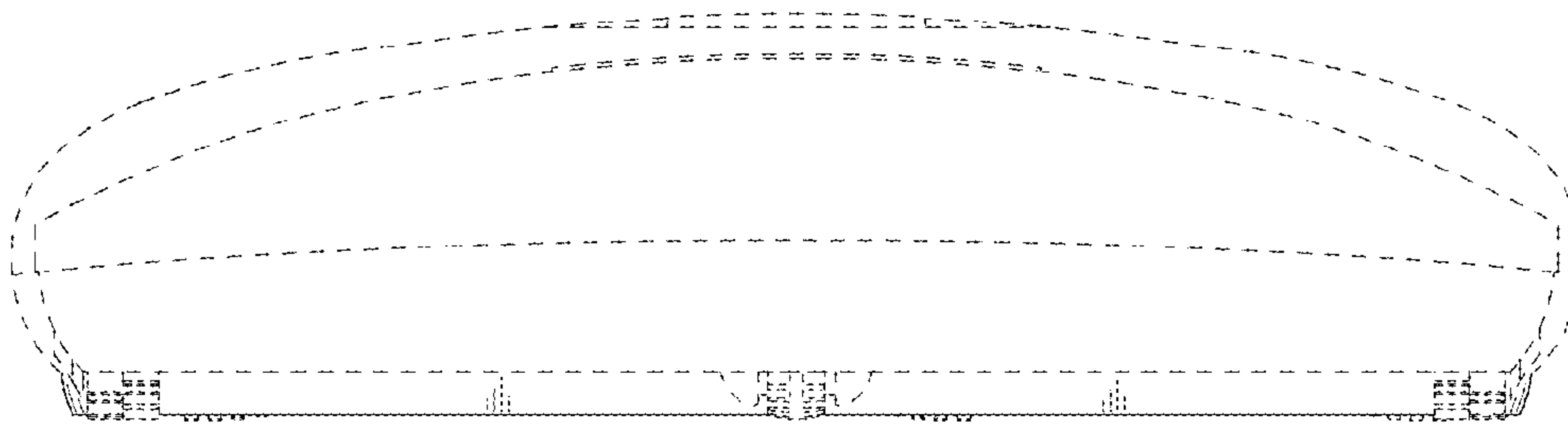


FIG. 4

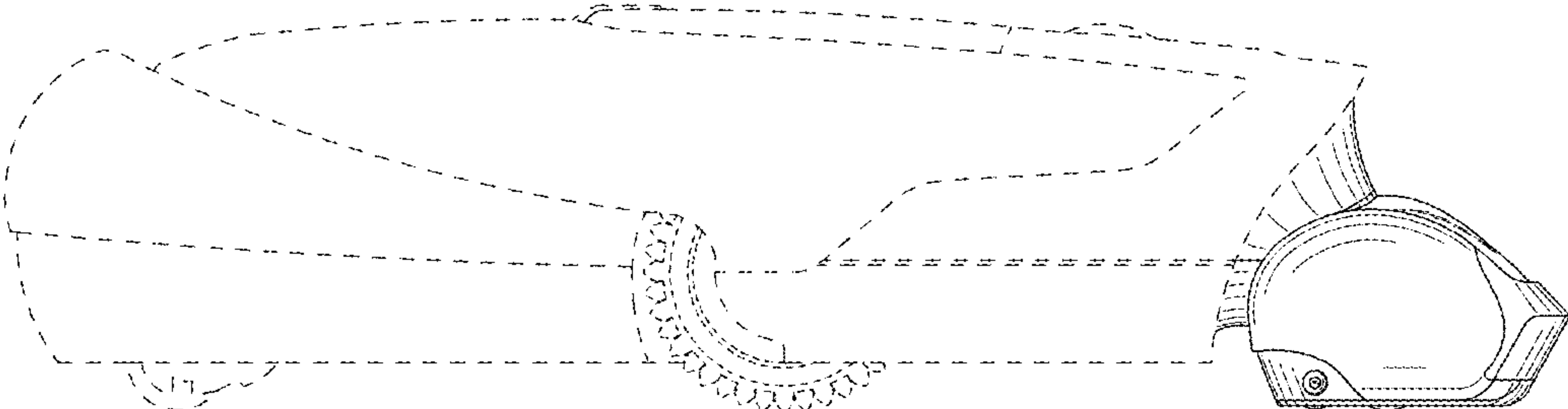


FIG. 5

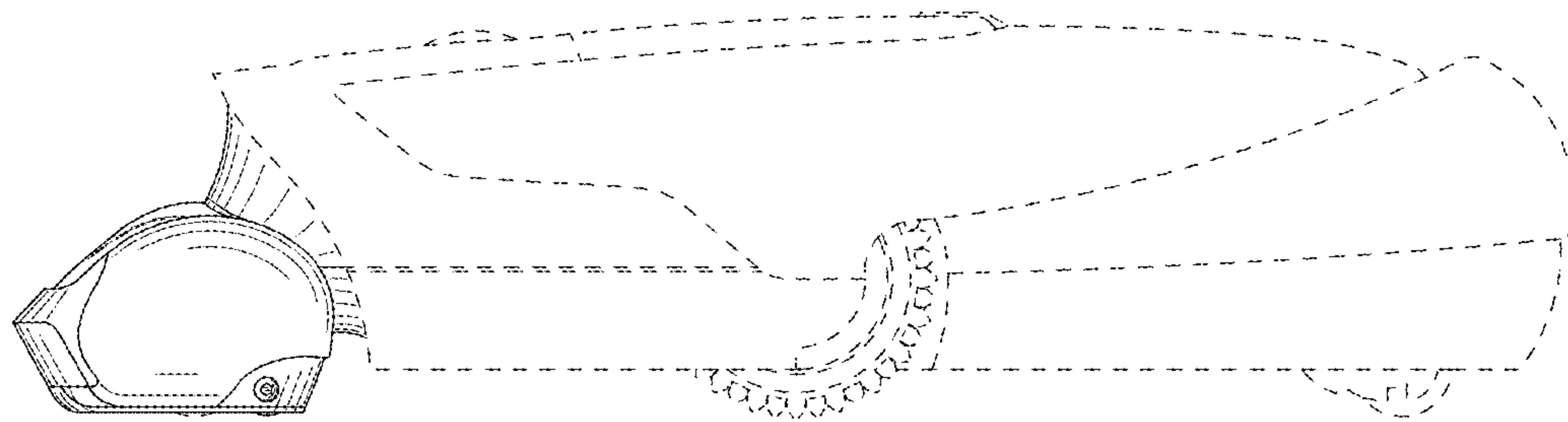


FIG. 6

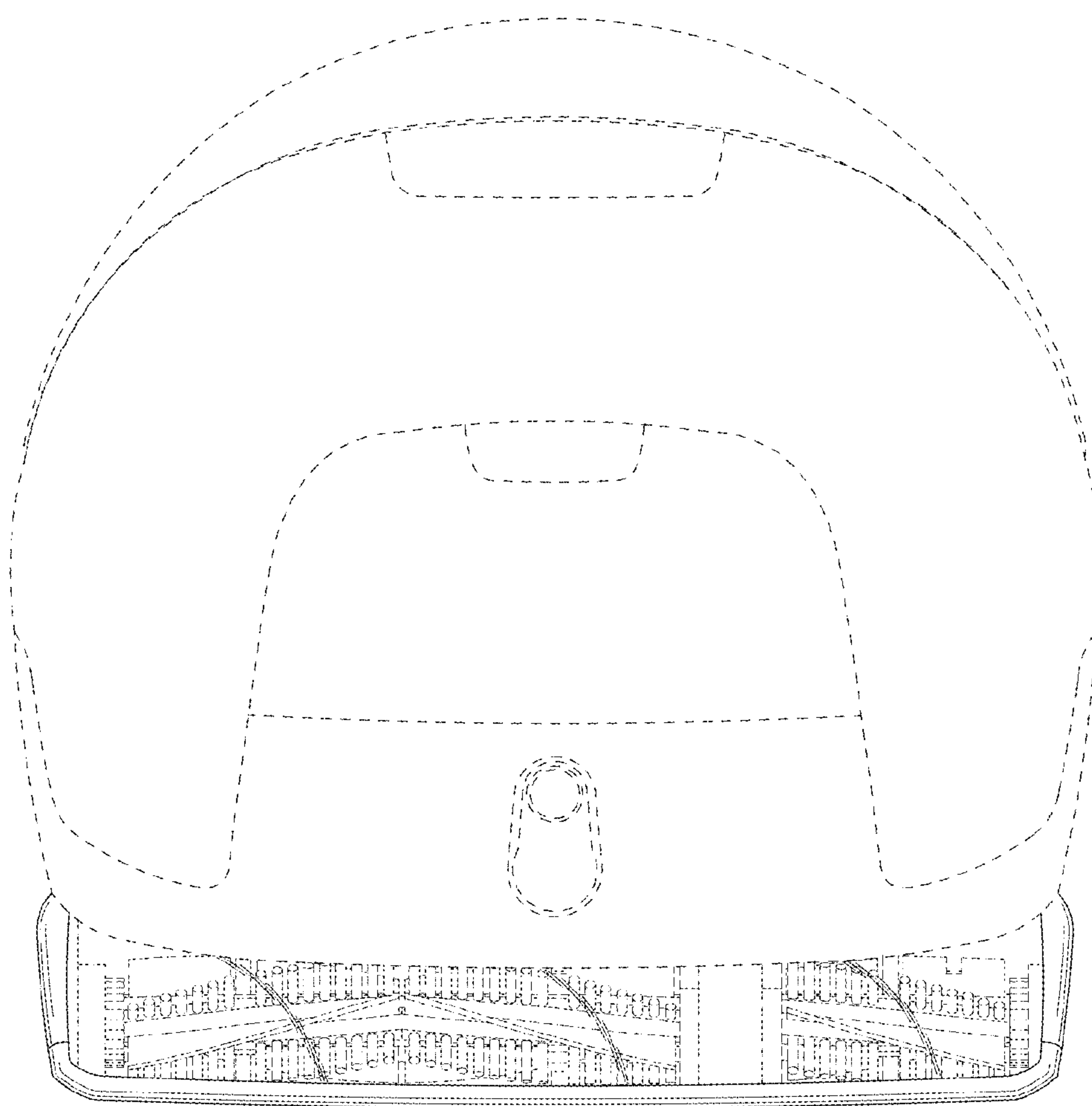


FIG. 7

