



US00D744182S

(12) **United States Design Patent**
Cheon et al.

(10) **Patent No.:** **US D744,182 S**
(45) **Date of Patent:** **** Nov. 24, 2015**

(54) **CLEANER DUST CANISTER**

(71) Applicant: **Samsung Electronics Co., Ltd.**,
Suwon-si (KR)

(72) Inventors: **Dongwon Cheon**, Seoul (KR); **Yuna Park**, Seoul (KR)

(73) Assignee: **Samsung Electronics Co., Ltd.**,
Suwon-si (KR)

(**) Term: **14 Years**

(21) Appl. No.: **29/485,493**

(22) Filed: **Mar. 19, 2014**

(30) **Foreign Application Priority Data**

Sep. 26, 2013 (KR) 30-2013-0049118

(51) **LOC (10) Cl.** **15-05**

(52) **U.S. Cl.**
USPC **D32/31**

(58) **Field of Classification Search**
USPC D32/21, 23, 31
CPC A47J 37/0713; A47L 9/2842; A47L
2201/00; A47L 5/30; A47L 5/28; A47L
5/362; A47L 9/04; A47L 11/24; A46B
13/005; A46B 13/001; A61C 17/26; G06N
3/008; B25J 9/1697; G01S 13/931; B62D
58/032; B62D 57/032; E01H 1/053; E01H
1/02

See application file for complete search history.

(56) **References Cited**

U.S. PATENT DOCUMENTS

D548,411 S * 8/2007 Schroter D32/21
D551,815 S * 9/2007 Schroeter D32/21
D593,265 S * 5/2009 Carr et al. D32/21
D658,341 S * 4/2012 Nam et al. D32/21
D659,920 S * 5/2012 Lee et al. D32/21
D661,032 S * 5/2012 Lee et al. D32/21
D661,439 S * 6/2012 Lee et al. D32/21

D661,440 S * 6/2012 Lee et al. D32/21
D665,547 S * 8/2012 Nam et al. D32/21
D669,235 S * 10/2012 Bassett et al. D32/21
D690,478 S * 9/2013 Li et al. D32/21
D691,337 S * 10/2013 Kim et al. D32/21
D704,400 S * 5/2014 Shin et al. D32/21
D715,504 S * 10/2014 Deoksang et al. D32/21
D718,008 S * 11/2014 Hwan-Woong et al. D32/31
D720,103 S * 12/2014 Haug et al. D32/21
2004/0204792 A1 * 10/2004 Taylor et al. 700/245
2008/0236628 A1 * 10/2008 Horvath et al. 134/21
2009/0094765 A1 * 4/2009 Osaka et al. 15/1.7
2011/0088203 A1 * 4/2011 Song et al. 15/339
2013/0152332 A1 * 6/2013 Jang 15/319
2013/0340201 A1 * 12/2013 Jang et al. 15/319
2014/0283326 A1 * 9/2014 Song et al. 15/319
2015/0150428 A1 * 6/2015 Park et al.
2015/0173578 A1 * 6/2015 Kim et al.

* cited by examiner

Primary Examiner — Ruth McInroy

(74) *Attorney, Agent, or Firm* — NSIP Law

(57) **CLAIM**

The ornamental design for a cleaner dust canister, as shown and described.

DESCRIPTION

FIG. 1 is a front perspective view of a cleaner dust canister showing our new design;
FIG. 2 is a front view thereof;
FIG. 3 is a rear view thereof;
FIG. 4 is a left-side view thereof;
FIG. 5 is a right-side view thereof;
FIG. 6 is a top view thereof;
FIG. 7 is a bottom view thereof; and,
FIG. 8 is another front perspective view, in which a robot cleaner is provided in broken lines to illustrate an example environment.

The broken lines illustrating portions of the cleaner dust canister are for environmental purposes only and form no part of the claimed design.

1 Claim, 8 Drawing Sheets

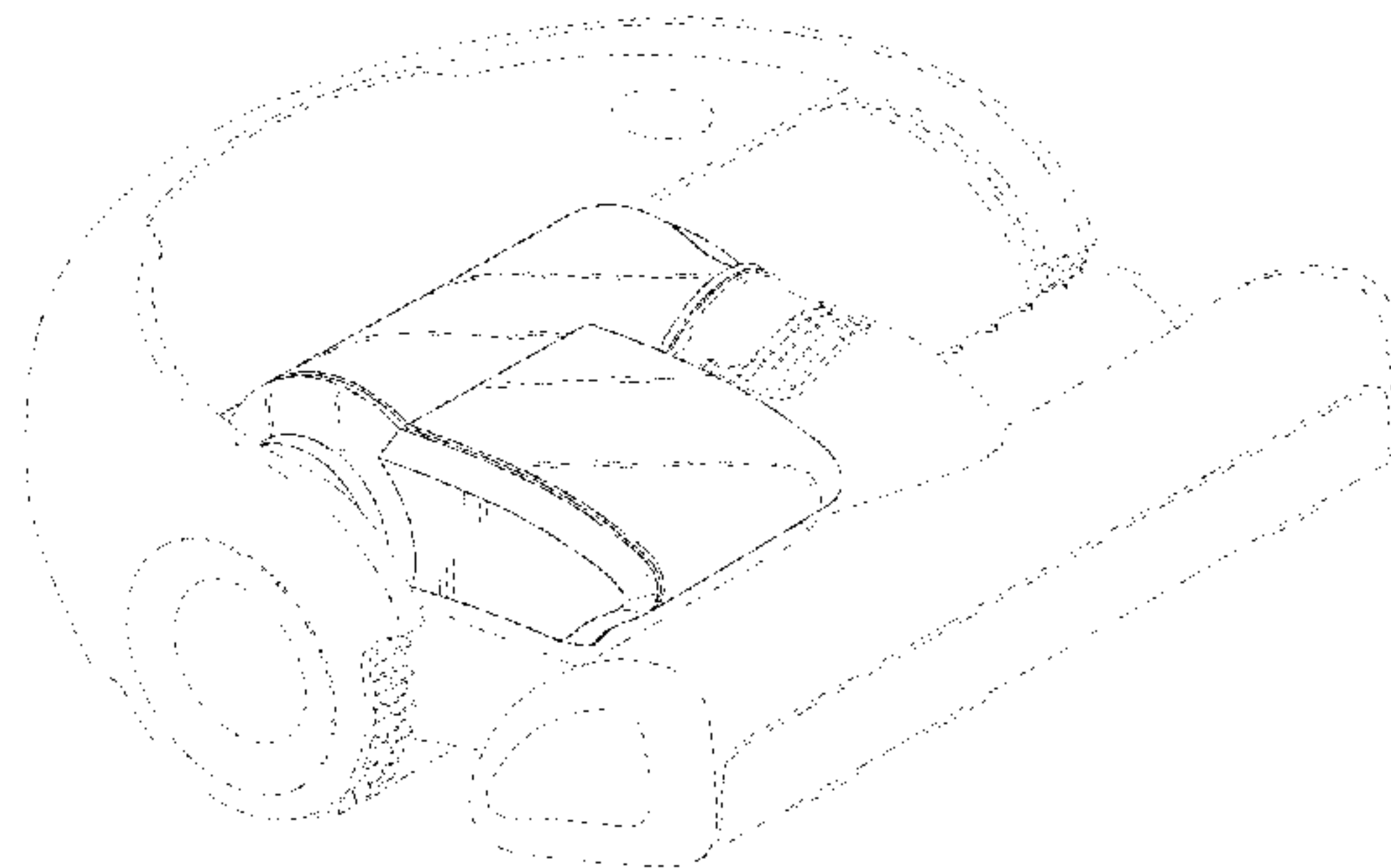
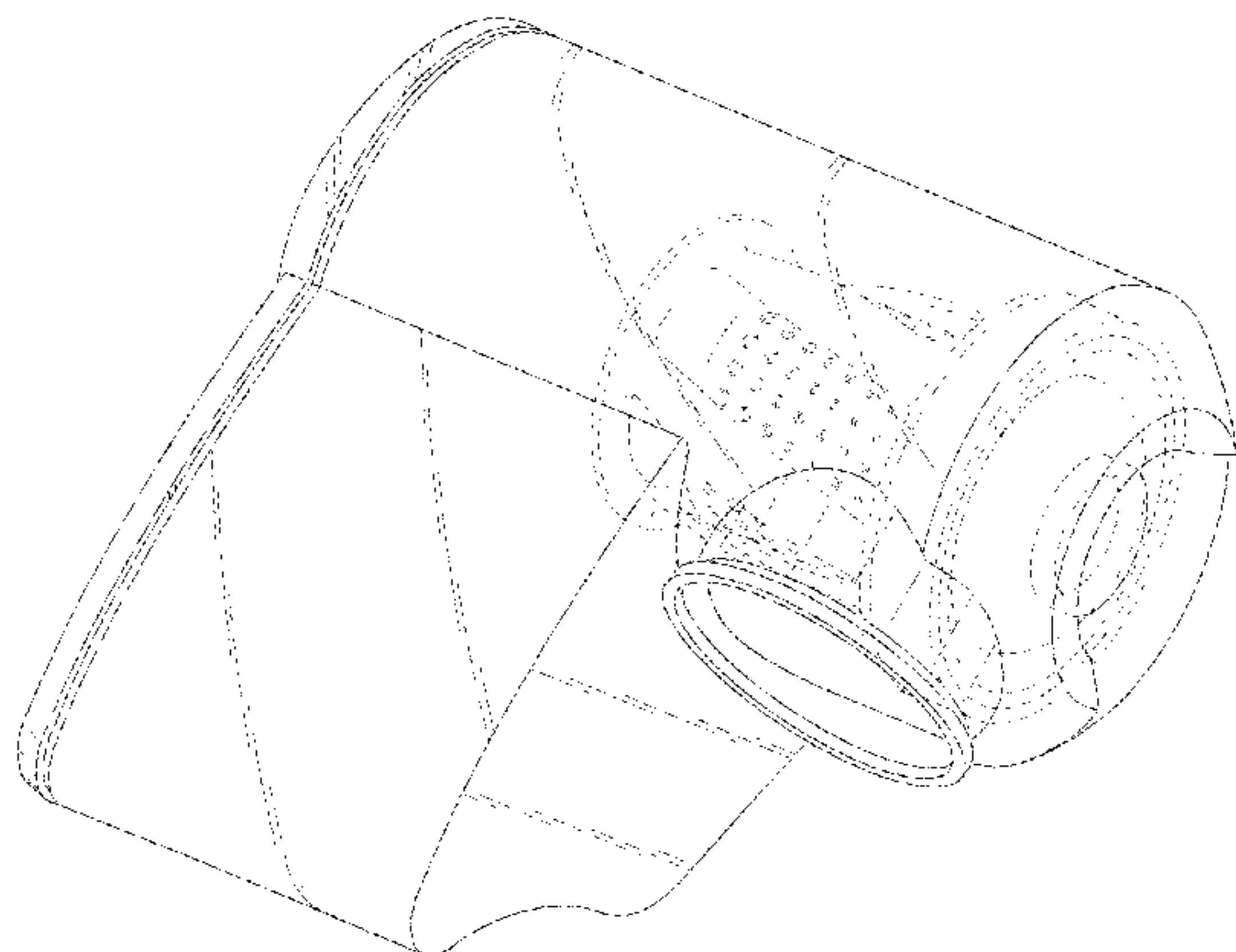


FIG. 1

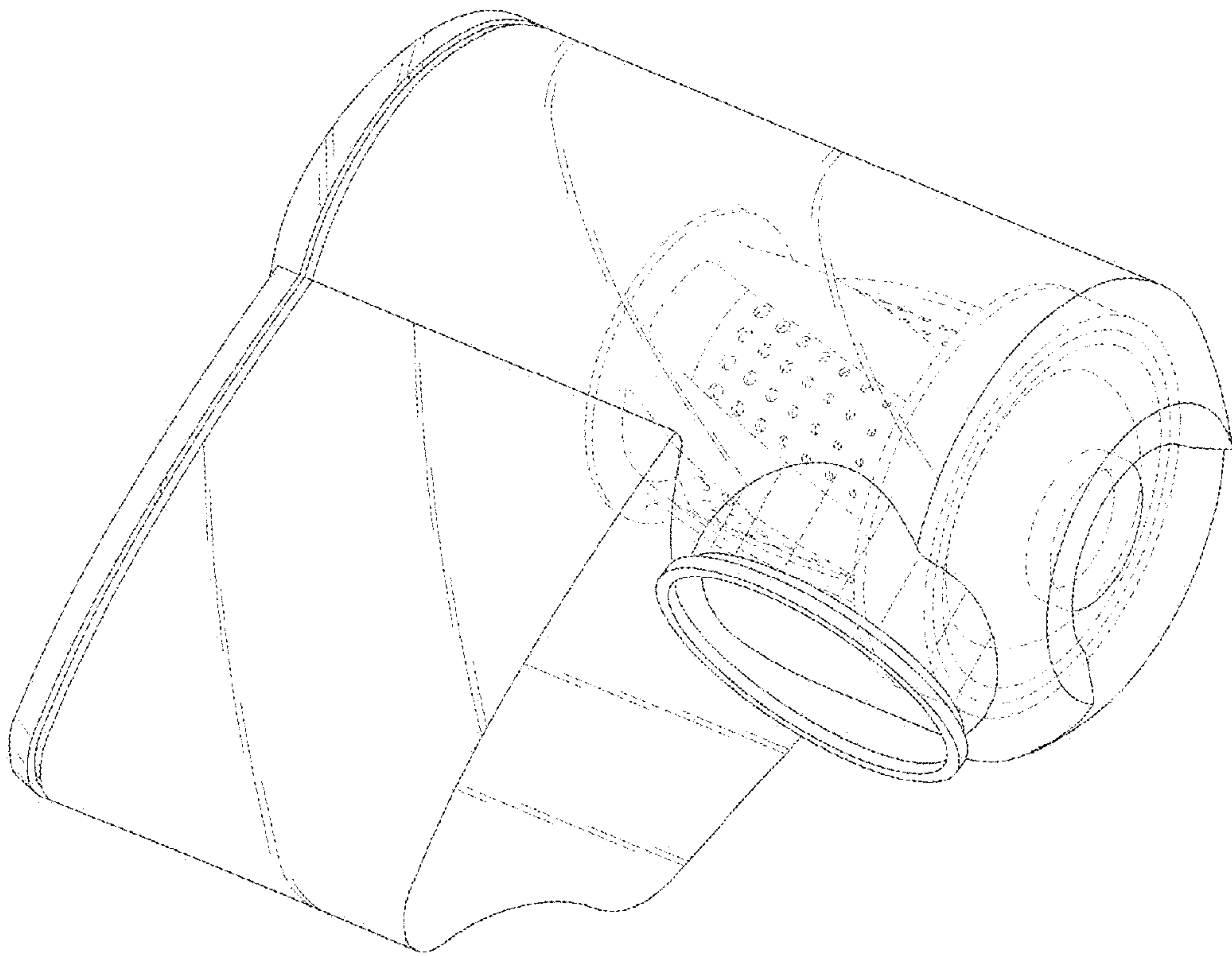


FIG. 2

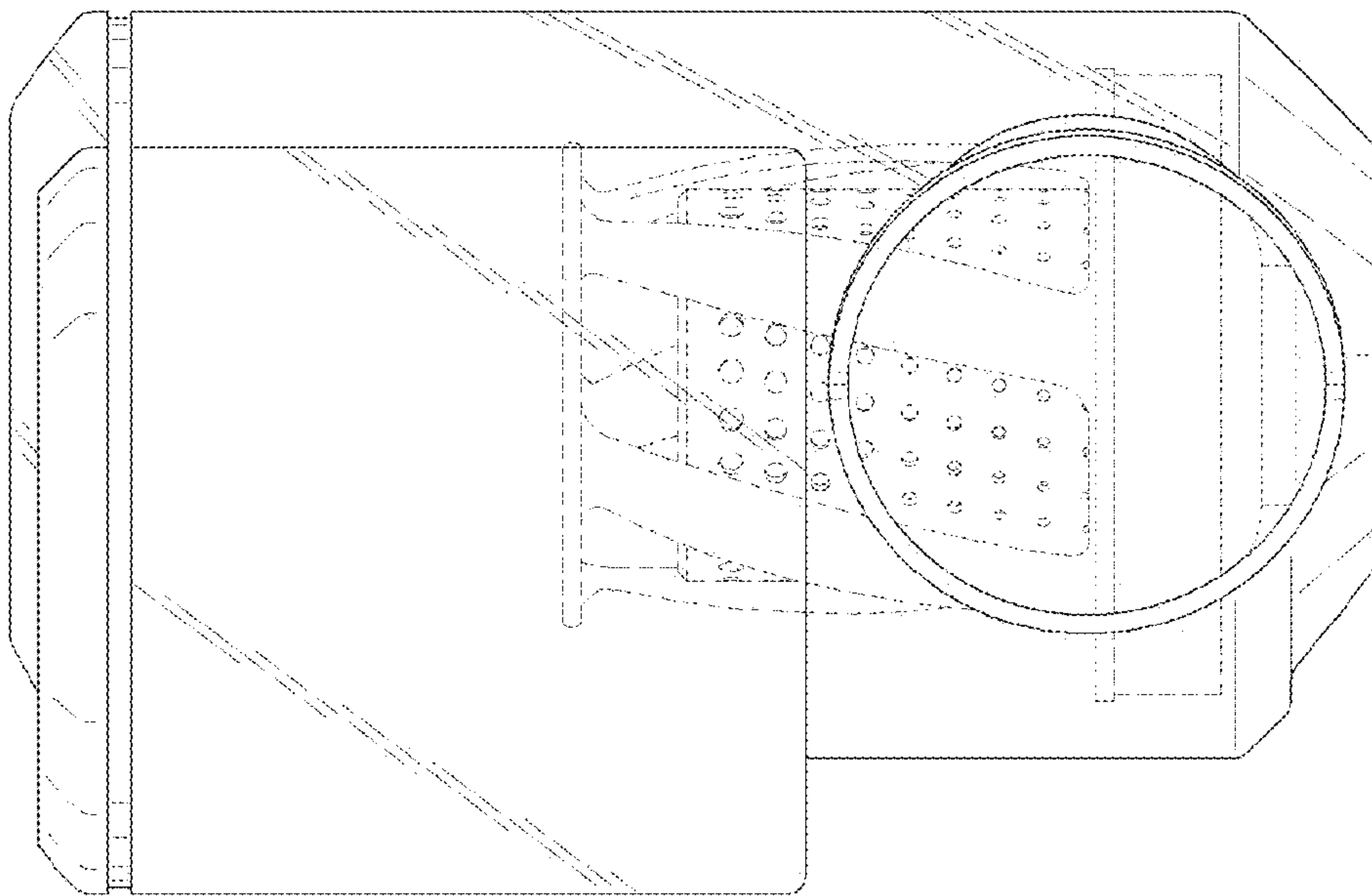


FIG. 3

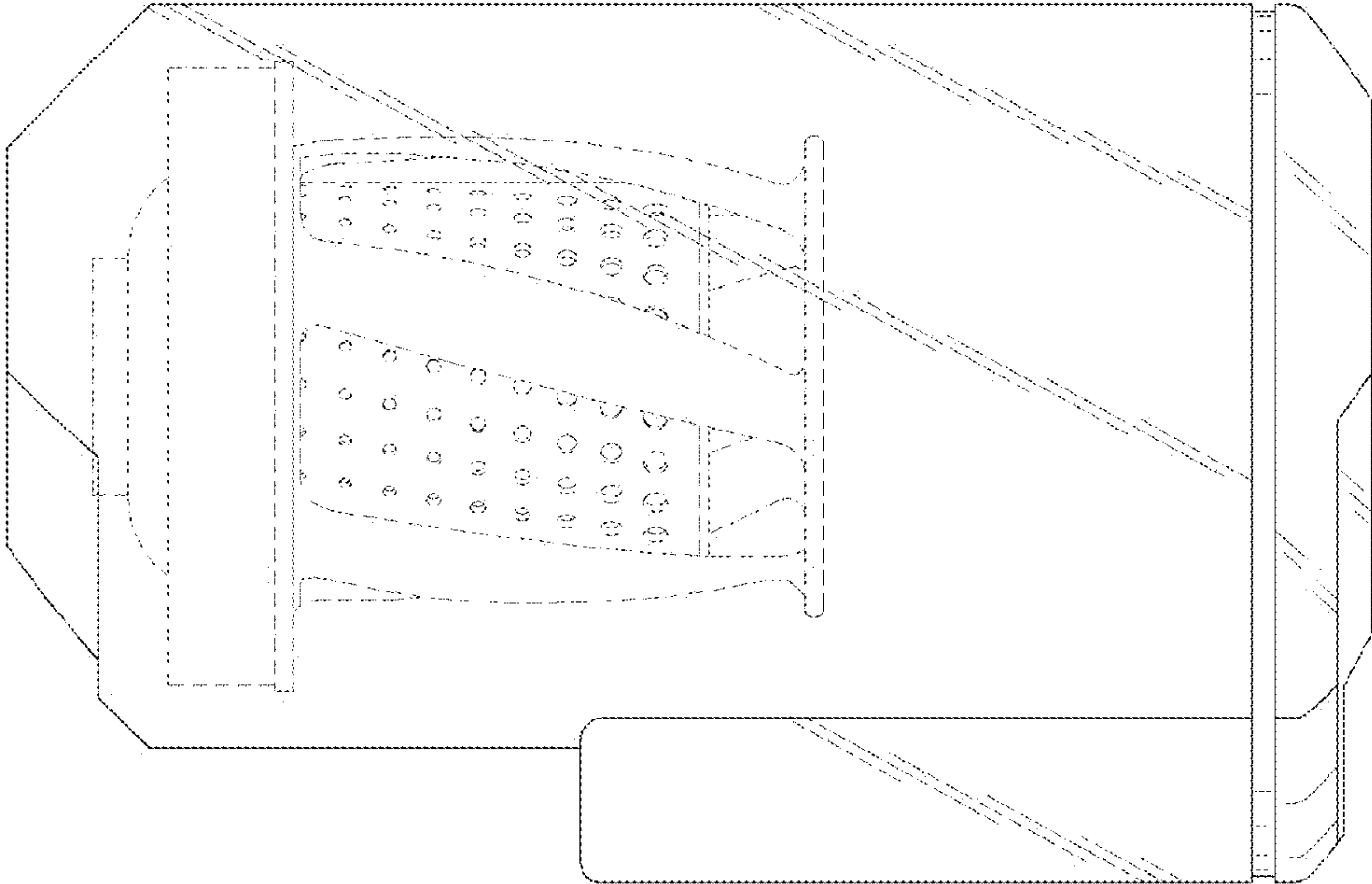


FIG. 4

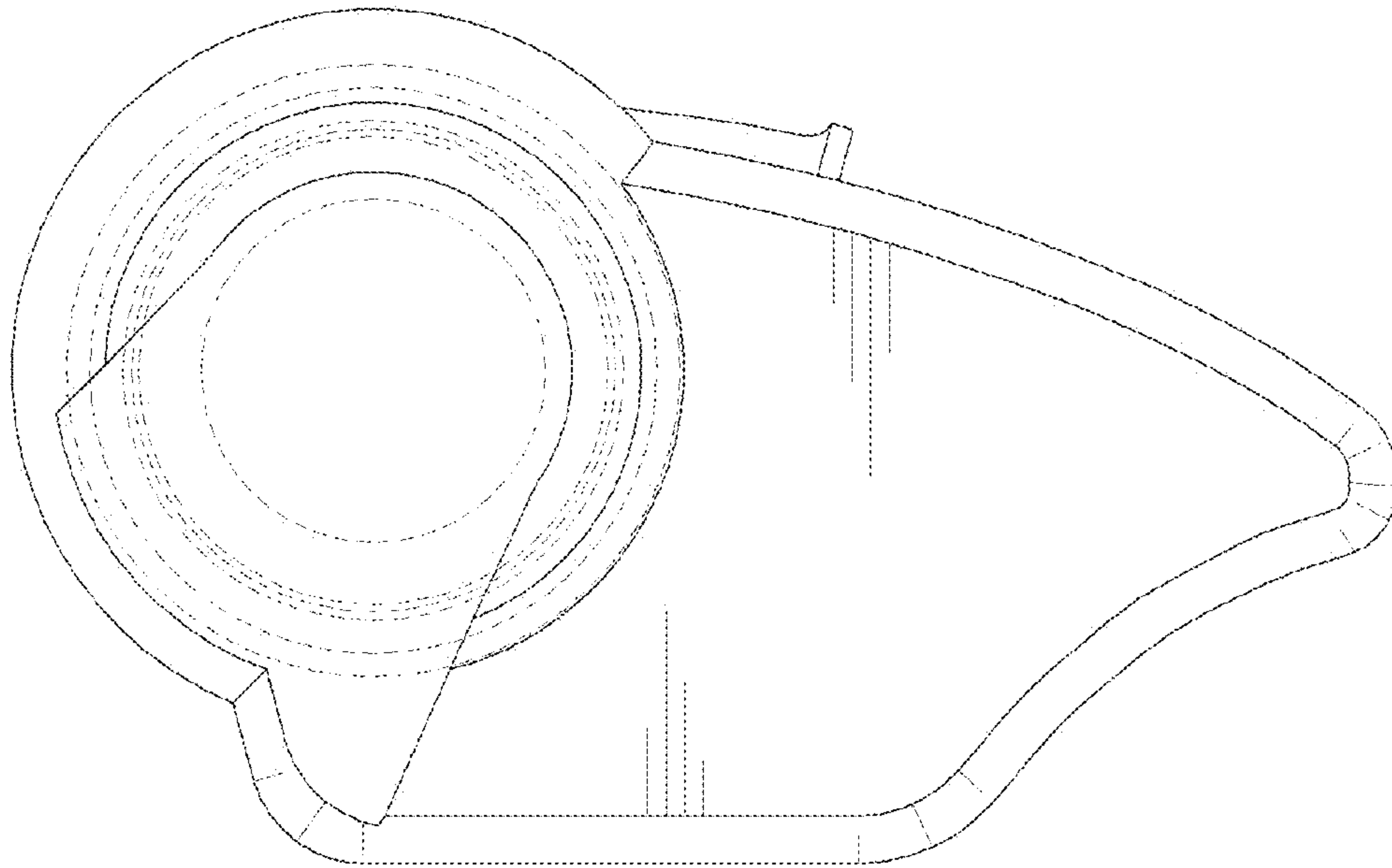


FIG. 5

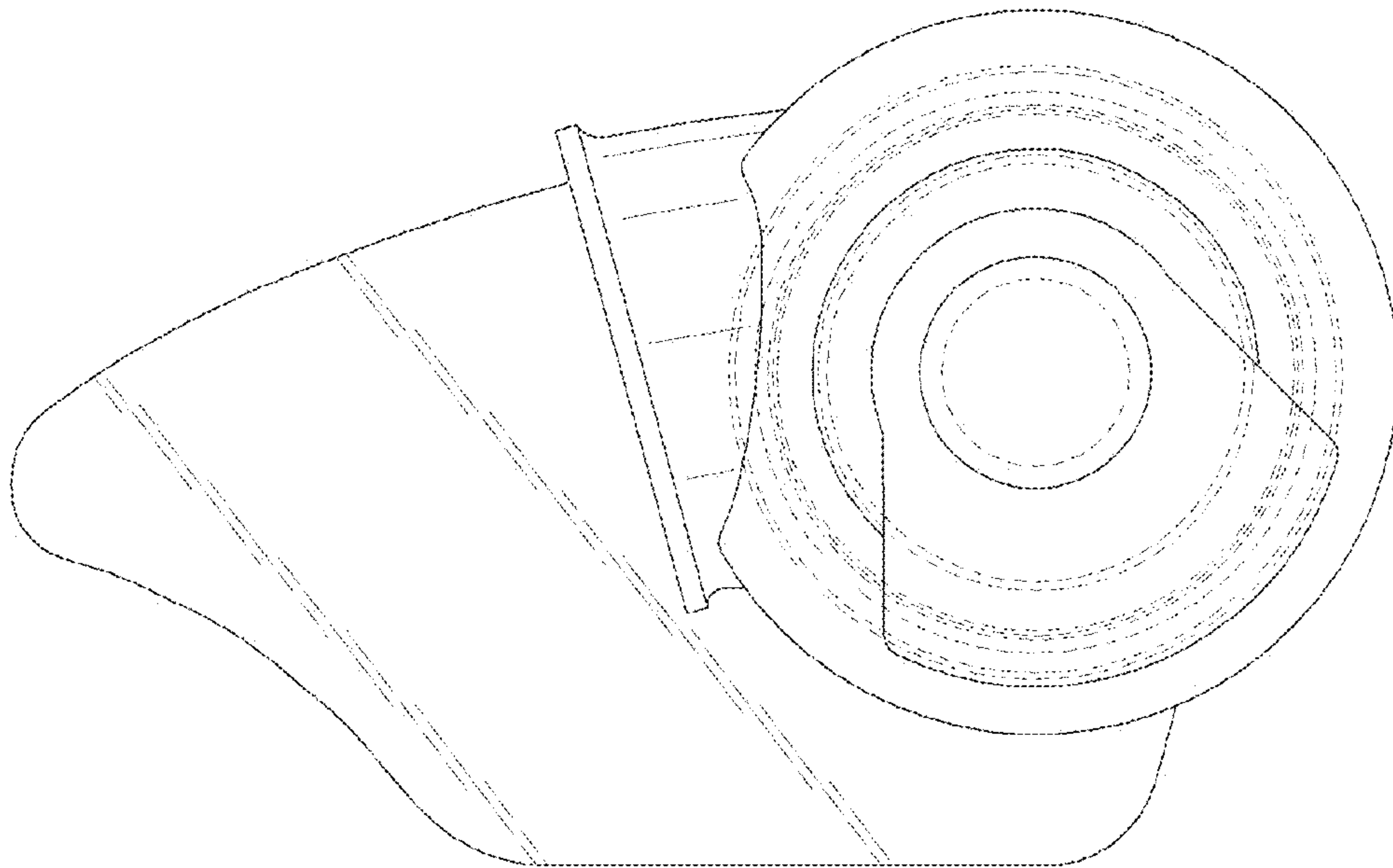


FIG. 6

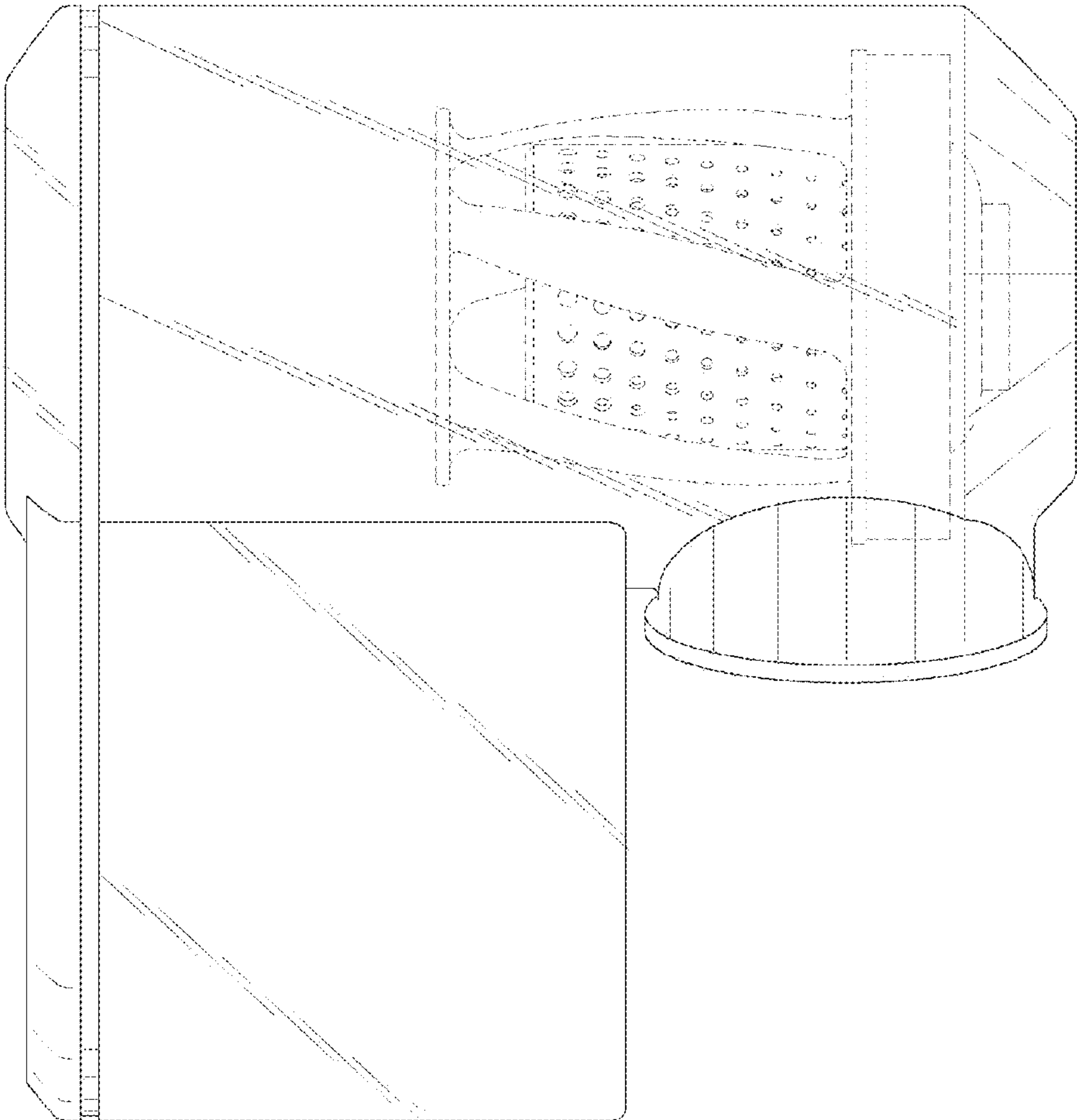


FIG. 7

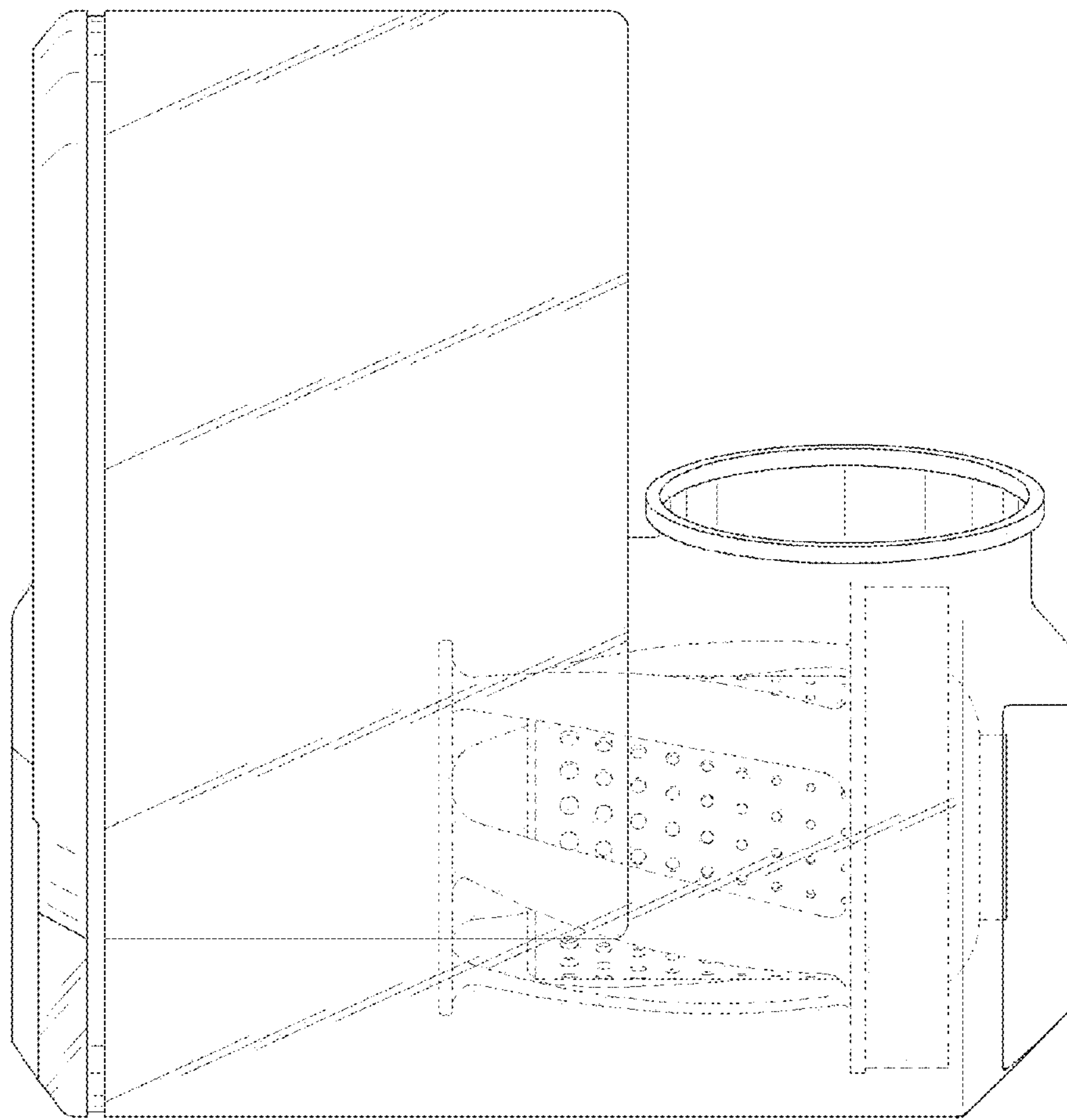


FIG. 8

