



US00D744180S

(12) **United States Design Patent**
Yun et al.

(10) **Patent No.:** **US D744,180 S**

(45) **Date of Patent:** **** Nov. 24, 2015**

(54) **VACUUM CLEANER**

(71) Applicant: **Samsung Electronics Co., Ltd.**,
Suwon-si (KR)

(72) Inventors: **Deoksang Yun**, Ansan-si (KR);
YeonYoung Nam, Goyang-si (KR)

(73) Assignee: **Samsung Electronics Co., Ltd.**,
Suwon-si (KR)

(**) Term: **14 Years**

(21) Appl. No.: **29/483,025**

(22) Filed: **Feb. 25, 2014**

(30) **Foreign Application Priority Data**

Sep. 2, 2013 (KR) 30-2013-0045139

(51) **LOC (10) Cl.** **15-05**

(52) **U.S. Cl.**
USPC **D32/31**

(58) **Field of Classification Search**
USPC D32/15-16, 18-21, 22, 30-34; D15/18;
D12/111, 114; 15/410-412, 246.2,
15/320, 329, 344, 350, 347, DIG. 10, 349,
15/351-353, 340.2, 361, 362; 55/DIG. 3,
55/323, 337, 429; D8/68-69

See application file for complete search history.

(56) **References Cited**

U.S. PATENT DOCUMENTS

D353,917	S	*	12/1994	Hoekstra et al.	D32/34
D477,445	S	*	7/2003	Schroter	D32/31
D480,848	S	*	10/2003	Smith et al.	D32/31
D502,578	S	*	3/2005	Roschi	D32/31
D561,415	S	*	2/2008	Tavano	D32/34
D642,754	S	*	8/2011	Fjellman	D32/31
D644,384	S	*	8/2011	Santiago et al.	D32/34
D674,158	S	*	1/2013	Kim et al.	D32/31
2013/0081225	A1	*	4/2013	McLuckie et al.	15/410

* cited by examiner

Primary Examiner — Ruth McInroy

(74) *Attorney, Agent, or Firm* — NSIP Law

(57) **CLAIM**

We claim the ornamental design for a vacuum cleaner, as shown and described.

DESCRIPTION

FIG. 1 is a front perspective view of a vacuum cleaner showing our new design;
FIG. 2 is a rear view thereof;
FIG. 3 is a left-side view thereof;
FIG. 4 is a right-side view thereof;
FIG. 5 is a top view thereof;
FIG. 6 is a bottom view thereof;
FIG. 7 is a right-side view in an alternate position; and,
FIG. 8 is a front perspective view thereof.
The broken lines in the figures show portions of the vacuum cleaner which form no part of the claimed design.

1 Claim, 7 Drawing Sheets

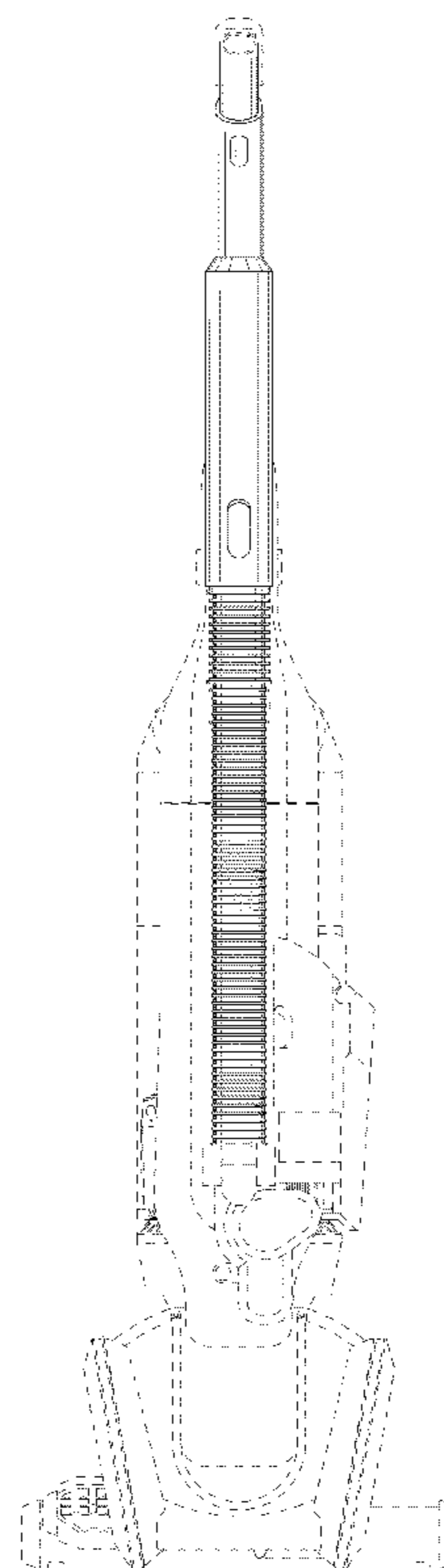
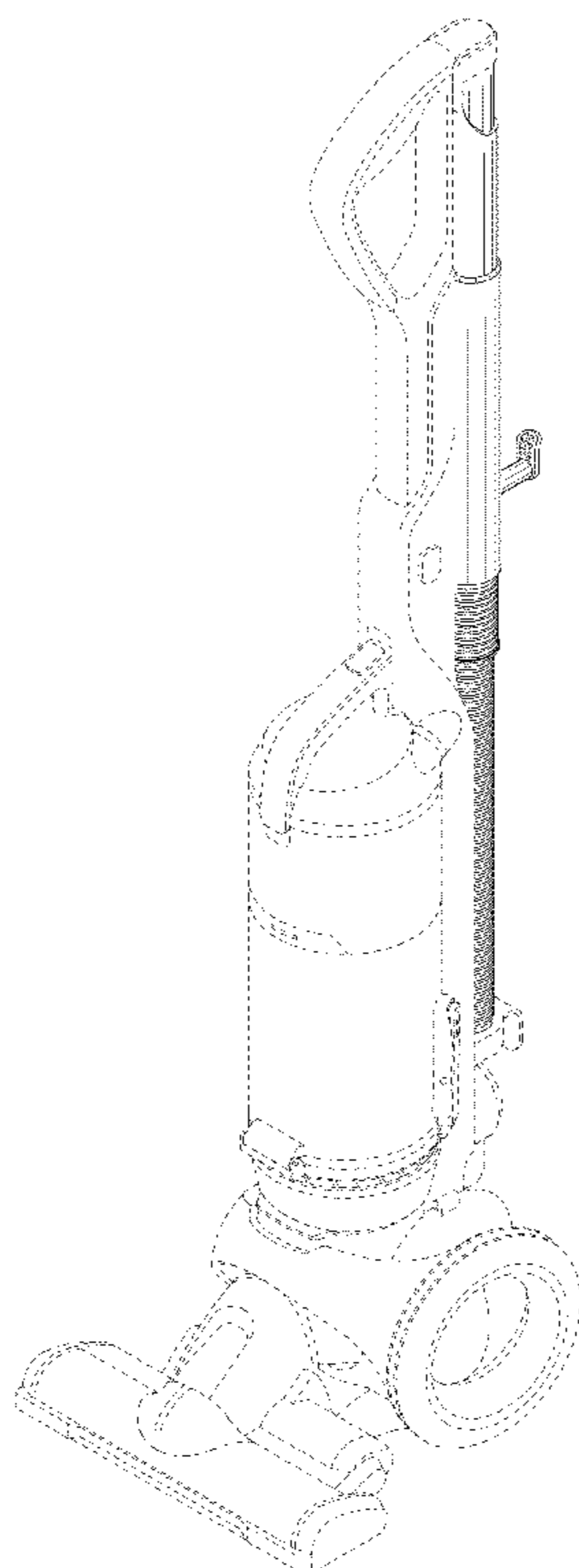


FIG. 1

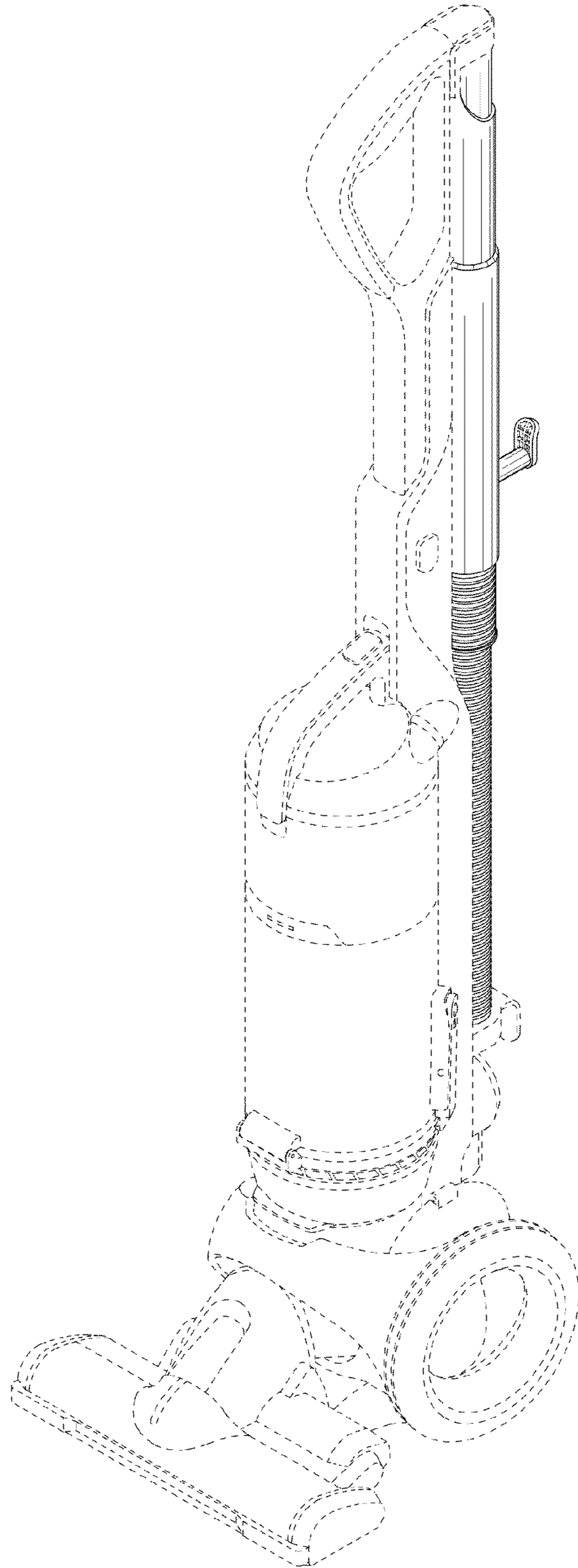


FIG. 2

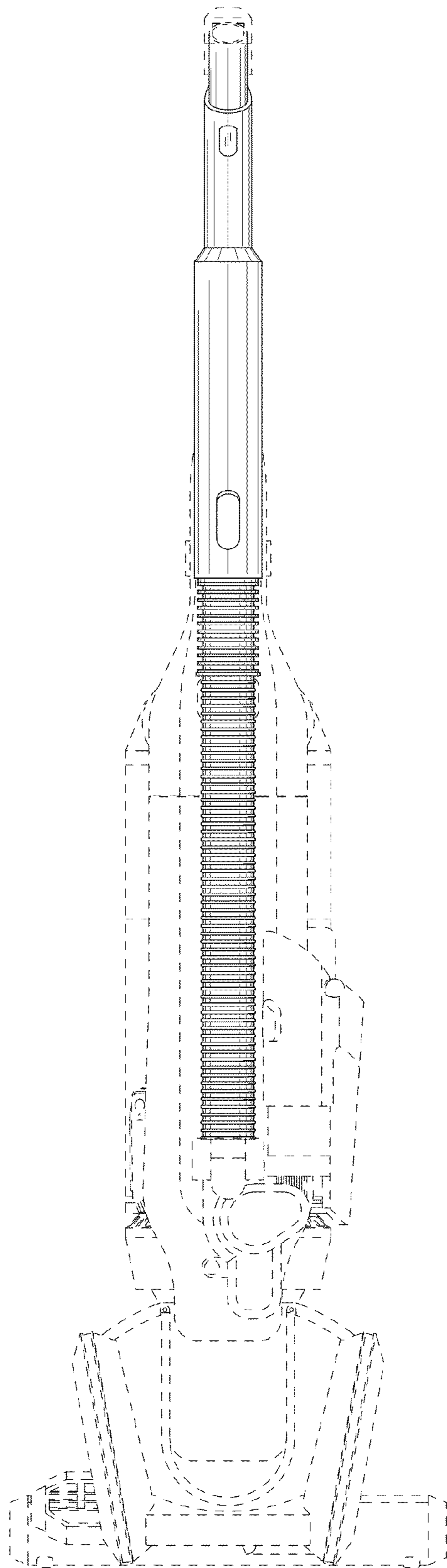


FIG. 3

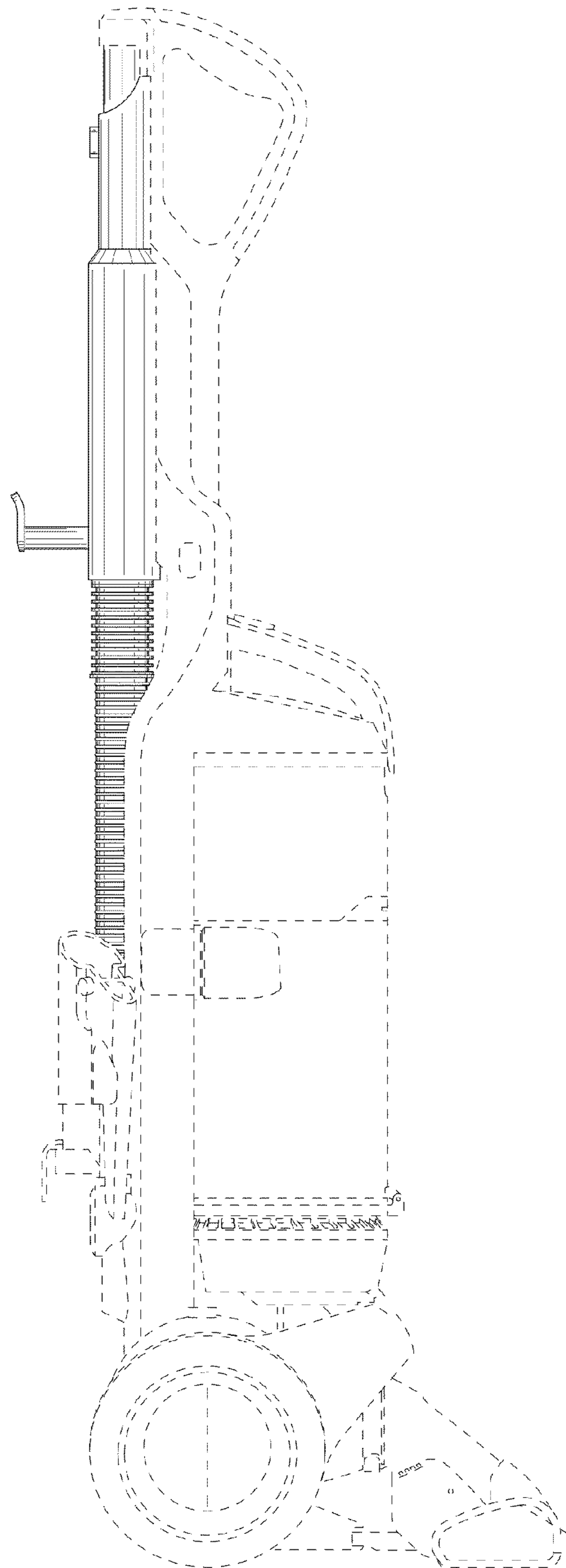


FIG. 4

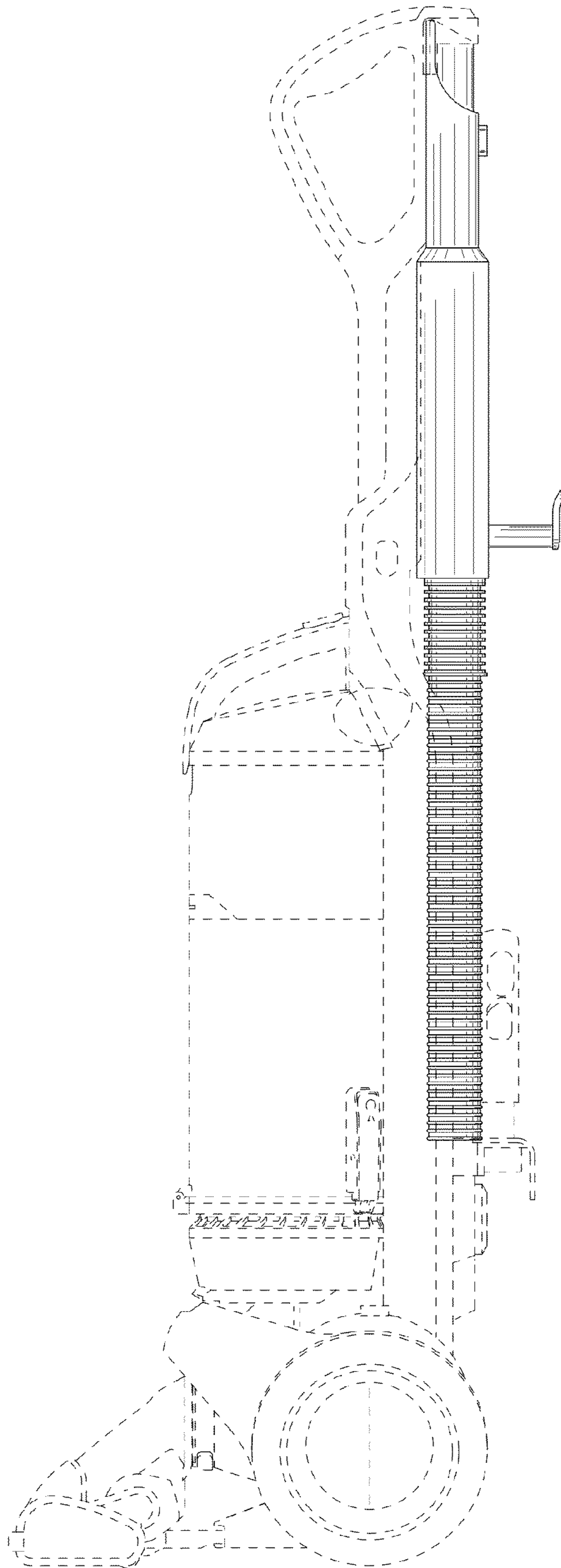


FIG. 5

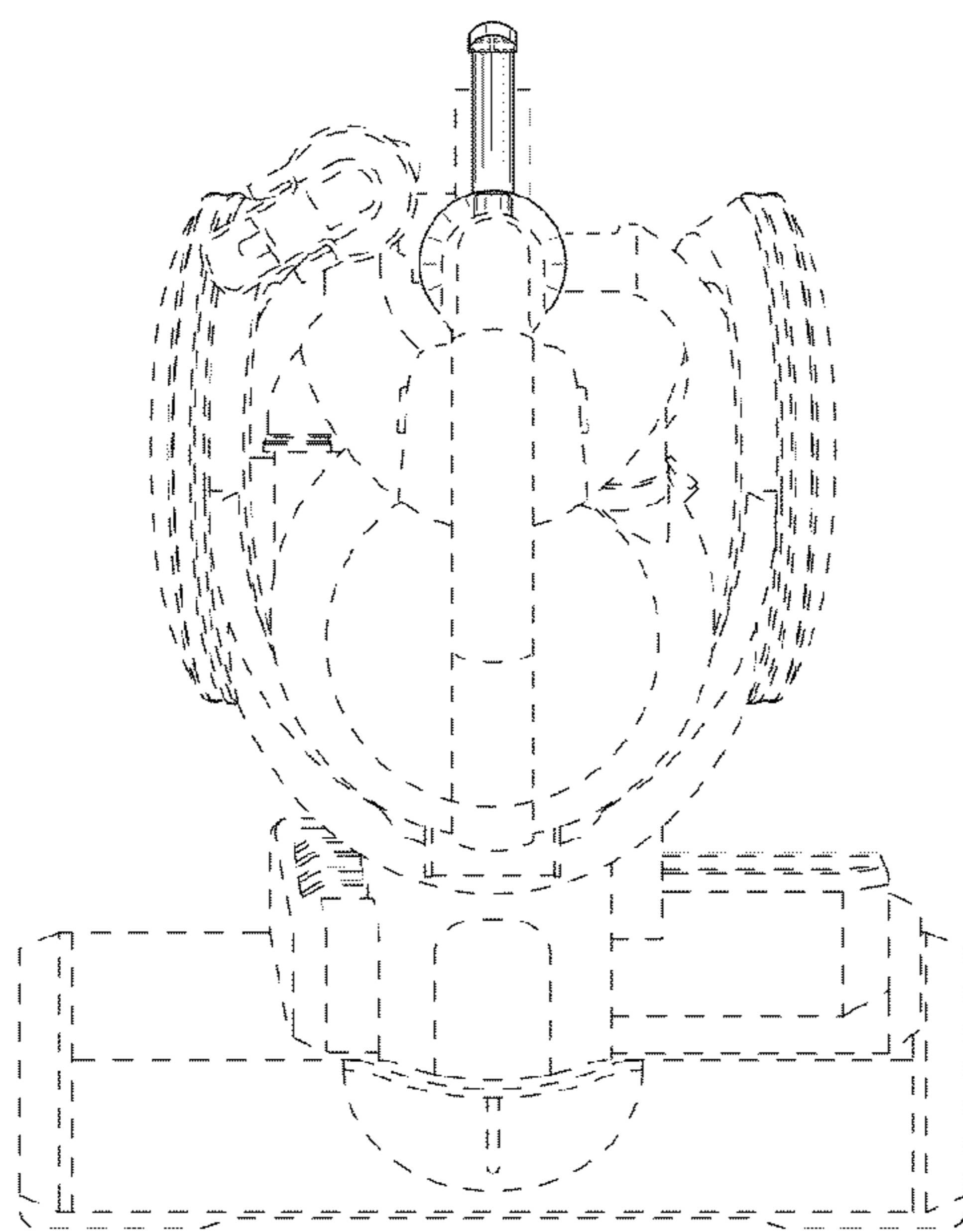


FIG. 6

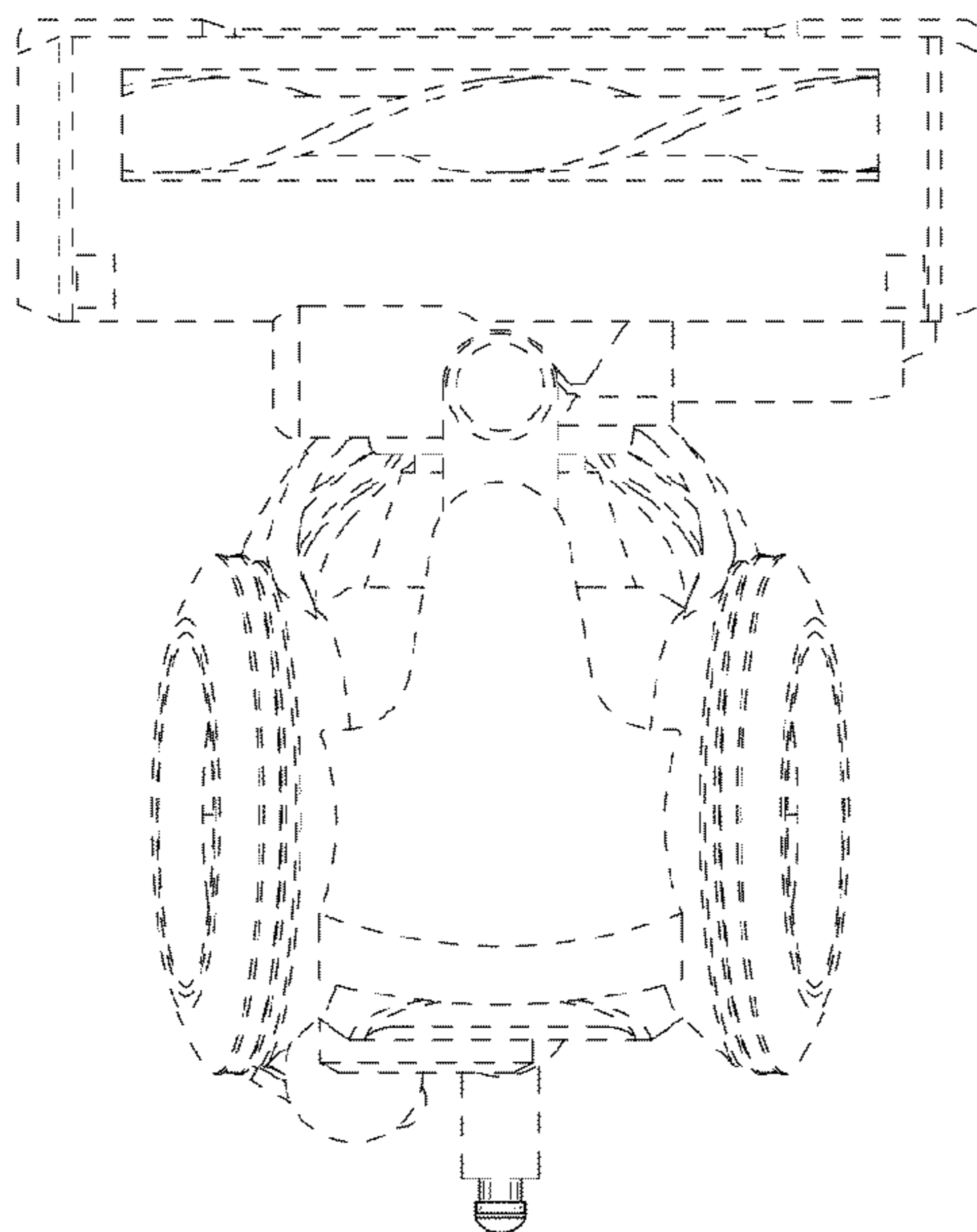


FIG. 7

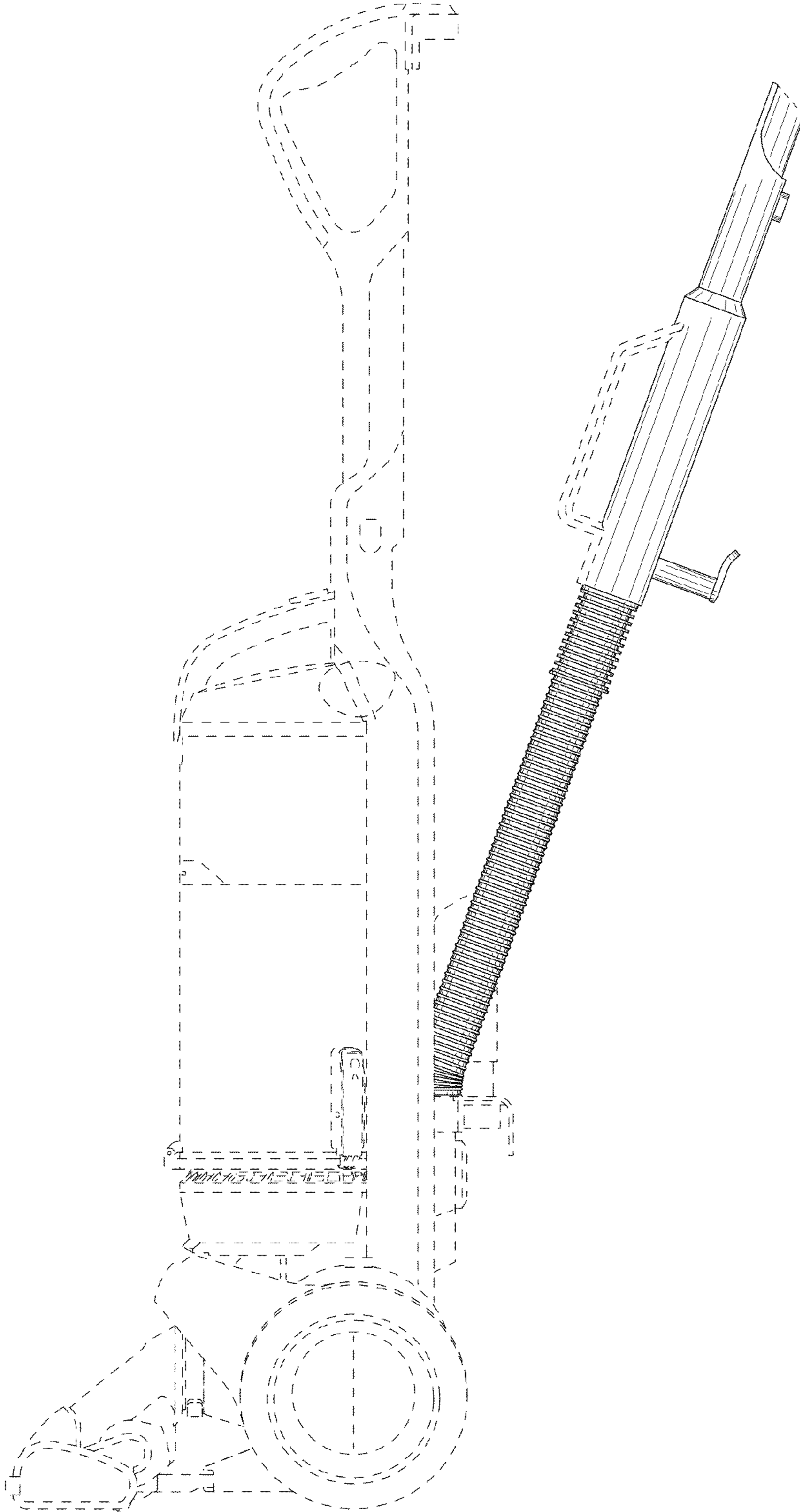


FIG. 8

