



US00D744176S

(12) **United States Design Patent**
Roberson et al.

(10) **Patent No.:** **US D744,176 S**
(45) **Date of Patent:** **** Nov. 24, 2015**

- (54) **DISHWASHER DOOR CONTROL PANEL**
- (71) Applicant: **BSH Home Appliances Corporation**,
Irvine, CA (US)
- (72) Inventors: **Lindsay Roberson**, Durham, NC (US);
Thomas Ott, Neubiberg (DE)
- (73) Assignee: **BSH Home Appliances Corporation**,
Irvine, CA (US)
- (**) Term: **14 Years**

5,365,959 A *	11/1994	Favaro	134/113
D493,582 S *	7/2004	Ott et al.	D32/3
D493,583 S *	7/2004	Kaczmarek	D32/3
D501,963 S *	2/2005	Kaczmarek	D32/3
D519,689 S *	4/2006	Ott et al.	D32/3
D544,657 S *	6/2007	Jung et al.	D32/2
D627,938 S *	11/2010	Kim	D32/2
D658,828 S *	5/2012	Kim et al.	D32/2
D665,956 S *	8/2012	Eng et al.	D32/2
D665,957 S *	8/2012	Eng et al.	D32/2
D668,402 S *	10/2012	Eng et al.	D32/3
D668,403 S *	10/2012	Eng et al.	D32/3
D668,404 S *	10/2012	Eng et al.	D32/3

(Continued)

- (21) Appl. No.: **29/524,470**
- (22) Filed: **Apr. 21, 2015**

Primary Examiner — Robert Delehanty

(74) *Attorney, Agent, or Firm* — James E. Howard; Andre Pallapies

Related U.S. Application Data

- (62) Division of application No. 29/481,557, filed on Feb. 7, 2014, now Pat. No. Des. 732,758, which is a division of application No. 29/469,038, filed on Oct. 7, 2013, now Pat. No. Des. 706,502, which is a division of application No. 29/461,670, filed on Jul. 26, 2013, now Pat. No. Des. 698,507, which is a division of application No. 29/434,110, filed on Oct. 10, 2012, now Pat. No. Des. 693,070, which is a division of application No. 29/425,993, filed on Jun. 29, 2012, now Pat. No. Des. 673,742, which is a division of application No. 29/418,059, filed on Apr. 12, 2012, now Pat. No. Des. 668,404.
- (51) **LOC (10) Cl.** **15-05**
- (52) **U.S. Cl.**
USPC **D32/3**
- (58) **Field of Classification Search**
USPC D32/1-3, 25, 28; D7/340, 348-350,
D7/405; 312/31, 109, 228; 134/56 D, 57 D,
134/58 D, 58 DL, 201
See application file for complete search history.

(57) **CLAIM**

The ornamental design for a dishwasher door control panel, as shown and described.

DESCRIPTION

FIG. 1 is a partial front perspective view thereof taken from the bottom;

FIG. 2 is a front view of a dishwasher door control panel according to our new ornamental design;

FIG. 2A is an enlarged detail view of FIG. 2;

FIG. 3 is a perspective view thereof; and,

FIG. 4 is an enlarged cross section taken along lines 4-4 of FIG. 2.

The broken lines of the dishwasher, dishwasher compartment and/or components thereof show surrounding structure or environment and do not form part of the claimed design. Where included, the dotted lines represent the border between claimed and unclaimed subject matter and do not form a part of the claimed design.

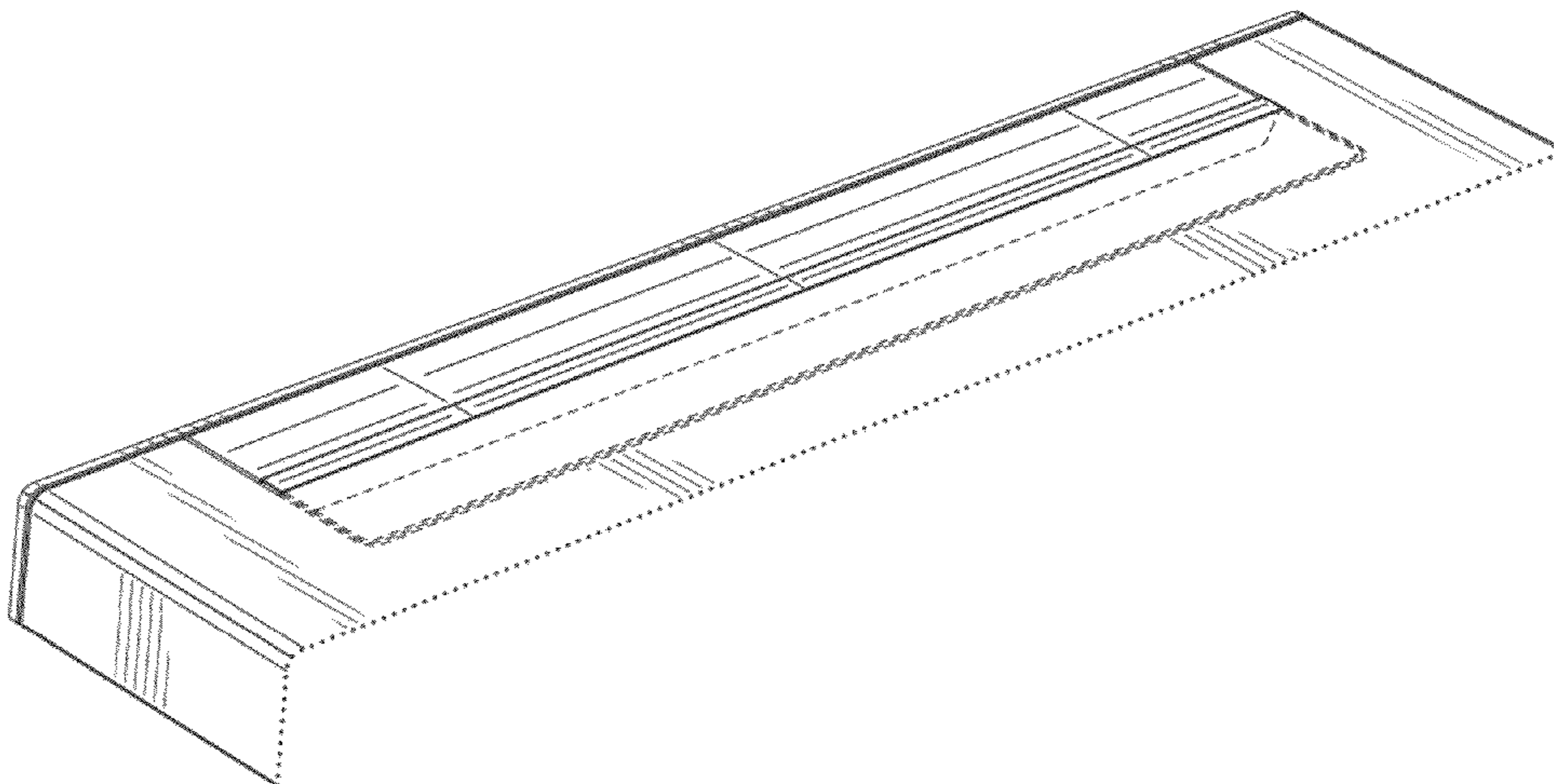
The bottom and rear parts of the dishwasher door, and the bottom, rear and top of the dishwasher compartment are unornamented and form no part of the claimed design.

(56) **References Cited**

U.S. PATENT DOCUMENTS

D191,224 S * 8/1961 Fay D32/2

1 Claim, 2 Drawing Sheets



(56)

References Cited

U.S. PATENT DOCUMENTS

D670,457 S * 11/2012 Eng D32/3
D672,101 S * 12/2012 Eng et al. D32/3
D673,742 S * 1/2013 Eng et al. D32/2
D684,734 S * 6/2013 Eng et al. D32/3
D684,735 S * 6/2013 Eng et al. D32/3

D684,736 S * 6/2013 Eng et al. D32/3
D685,149 S * 6/2013 Eng et al. D32/3
D689,248 S * 9/2013 Eng D32/3
D692,628 S * 10/2013 Eng et al. D32/2
D692,629 S * 10/2013 Eng et al. D32/3
D693,069 S * 11/2013 Groleben et al. D32/3
D693,070 S * 11/2013 Eng et al. D32/3

* cited by examiner

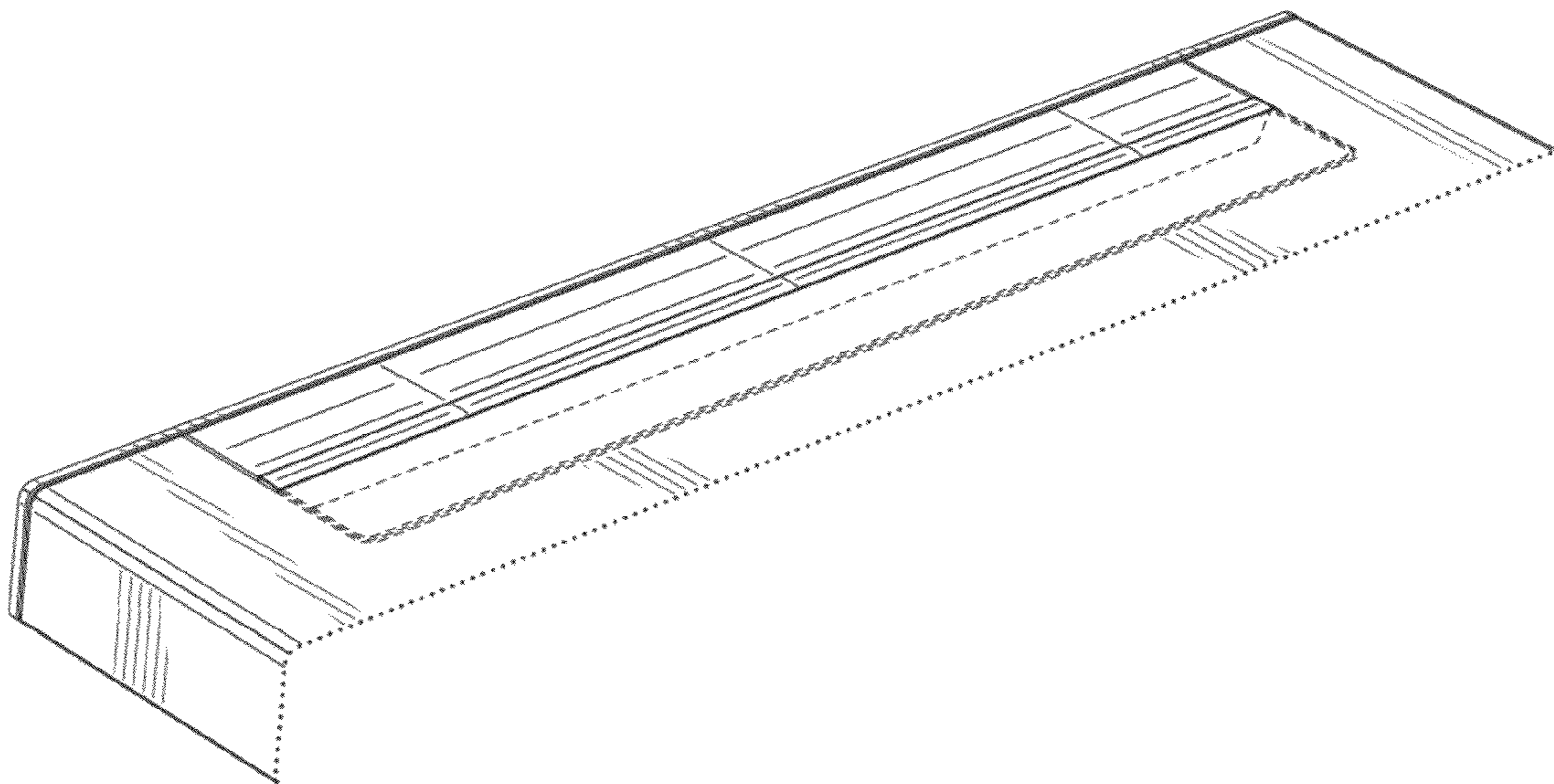


Fig. 1

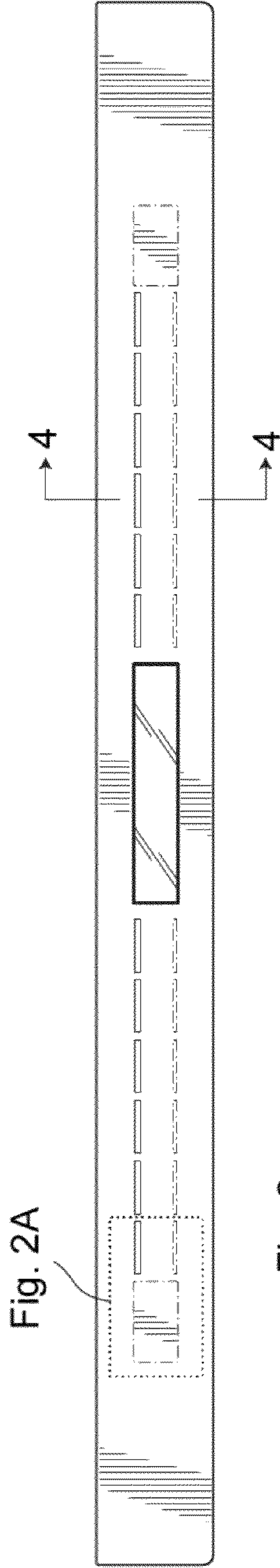


Fig. 2

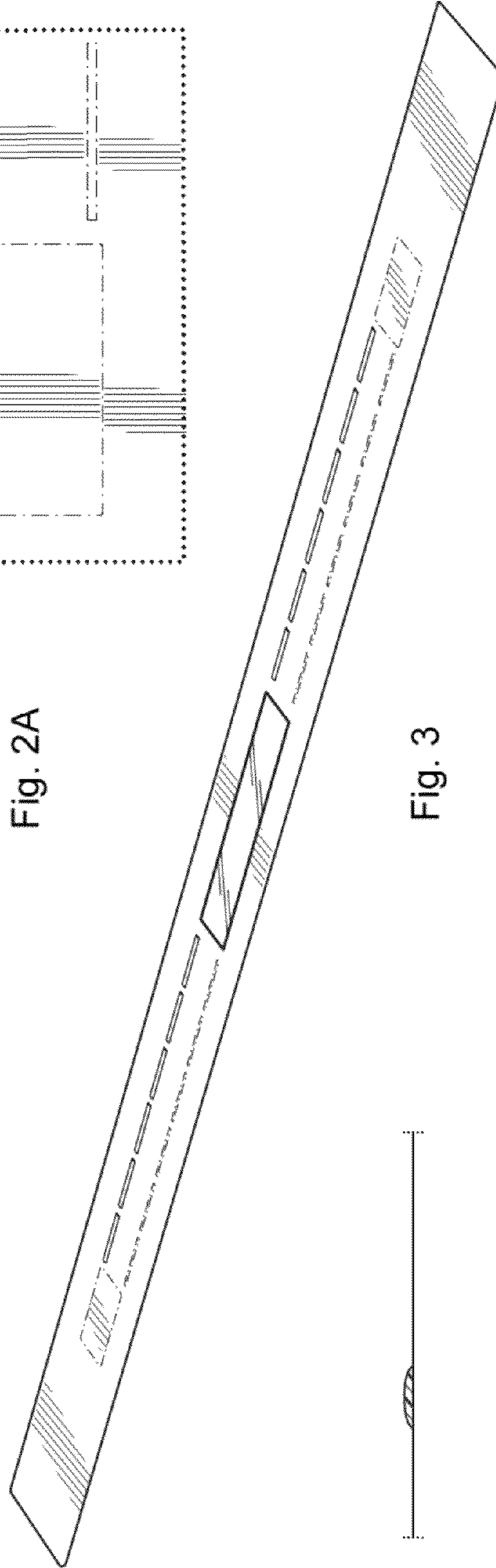
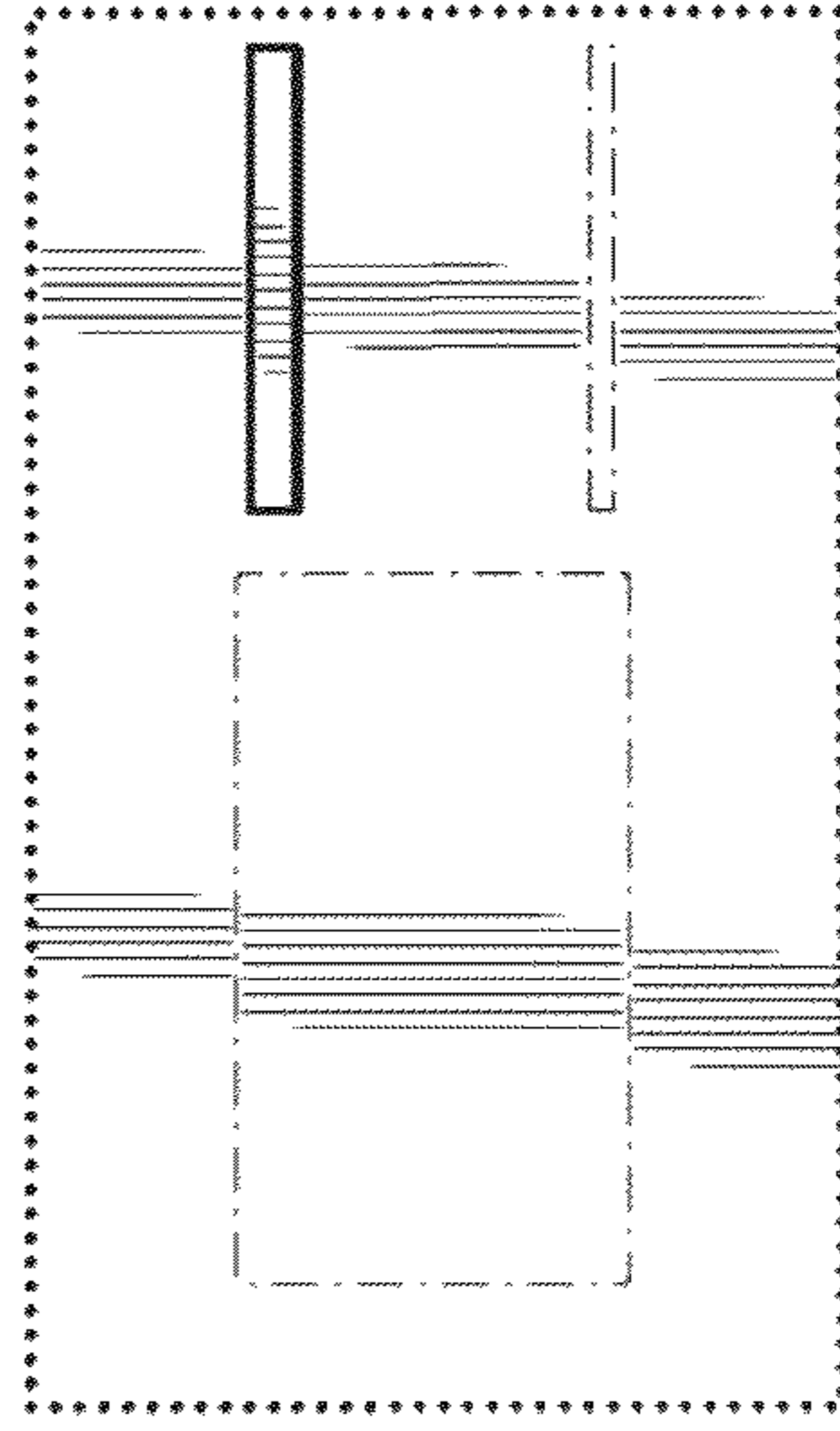


Fig. 4