



US00D744174S

(12) **United States Design Patent**  
**Jones et al.**

(10) **Patent No.:** **US D744,174 S**  
(45) **Date of Patent:** **\*\* Nov. 24, 2015**

(54) **ELEVATED DOG BOWL**

(71) Applicant: **ACT 3 VENTURES INC.**, Atlanta, GA (US)

(72) Inventors: **Patricia M. Jones**, Atlanta, GA (US);  
**Daniel W. Rossborough, Sr.**, Marietta, GA (US); **Daniel W. Rossborough, Jr.**, Marietta, GA (US)

(73) Assignee: **ACT 3 VENTURES INC.**, Atlanta, GA (US)

(\*\*) Term: **14 Years**

(21) Appl. No.: **29/521,229**

(22) Filed: **Mar. 20, 2015**

(51) **LOC (10) Cl.** ..... **30-03**

(52) **U.S. Cl.**  
USPC ..... **D30/133**; D30/129; D30/121; D30/132

(58) **Field of Classification Search**  
USPC ..... D30/133, 121, 128, 130, 132; 119/52.1, 119/55, 61.5, 61.6, 61.57, 61.56; D6/480-485; 248/188; 312/204; 108/153.1-157  
CPC ..... A01K 5/00; A01K 5/01; A01K 5/0107; A01K 5/0114; A01K 5/0121; A01K 5/0128; A01K 5/0135; A01K 7/005

See application file for complete search history.

(56) **References Cited**

**U.S. PATENT DOCUMENTS**

D24,173 S	4/1895	Atkinson et al.	
D25,483 S *	5/1896	Jonson .....	D6/497
766,427 A	8/1904	Crowell	
1,185,440 A	5/1916	Schuetz	
D96,018 S	6/1935	Cannon	
2,239,969 A	4/1941	Morthland	
D172,715 S	7/1954	Hogan	

2,691,362 A	10/1954	Moyer et al.	
2,812,891 A	11/1957	Carlson et al.	
D182,235 S	3/1958	Jaffe	
3,345,670 A	10/1967	Charie	
3,611,998 A	10/1971	Loscalzo	
D230,034 S *	1/1974	Goldman et al. ....	D30/129
D257,494 S *	11/1980	Imhoff .....	D30/129

(Continued)

**FOREIGN PATENT DOCUMENTS**

GB	2373494	9/2002
JP	2010063422	3/2010
WO	03069985	8/2003

**OTHER PUBLICATIONS**

Dylankendall.com Paw Footed Bowls, Sep. 2013, 1 page.\*

(Continued)

*Primary Examiner* — Susan Moon Lee

(74) *Attorney, Agent, or Firm* — Taylor English Duma LLP

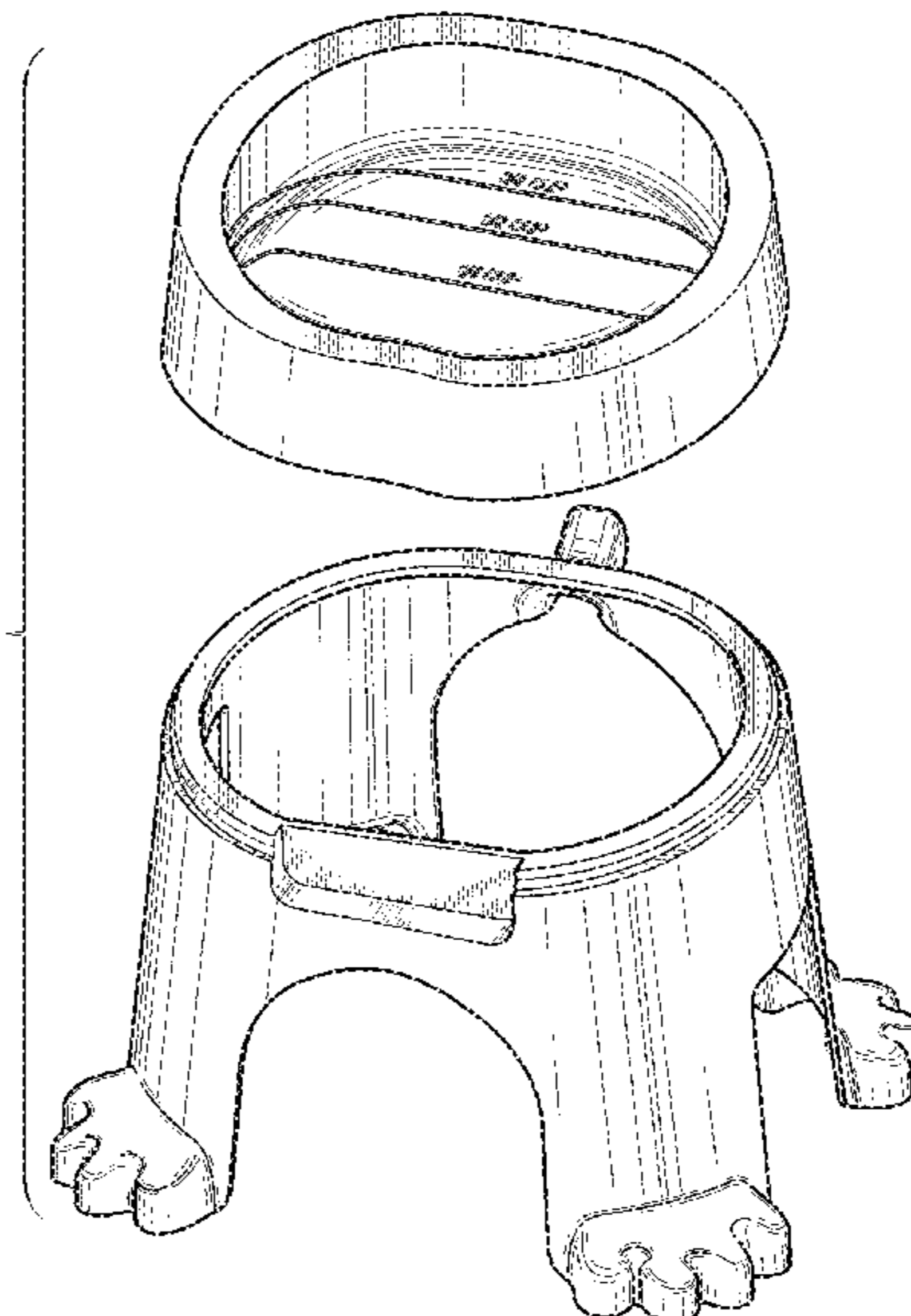
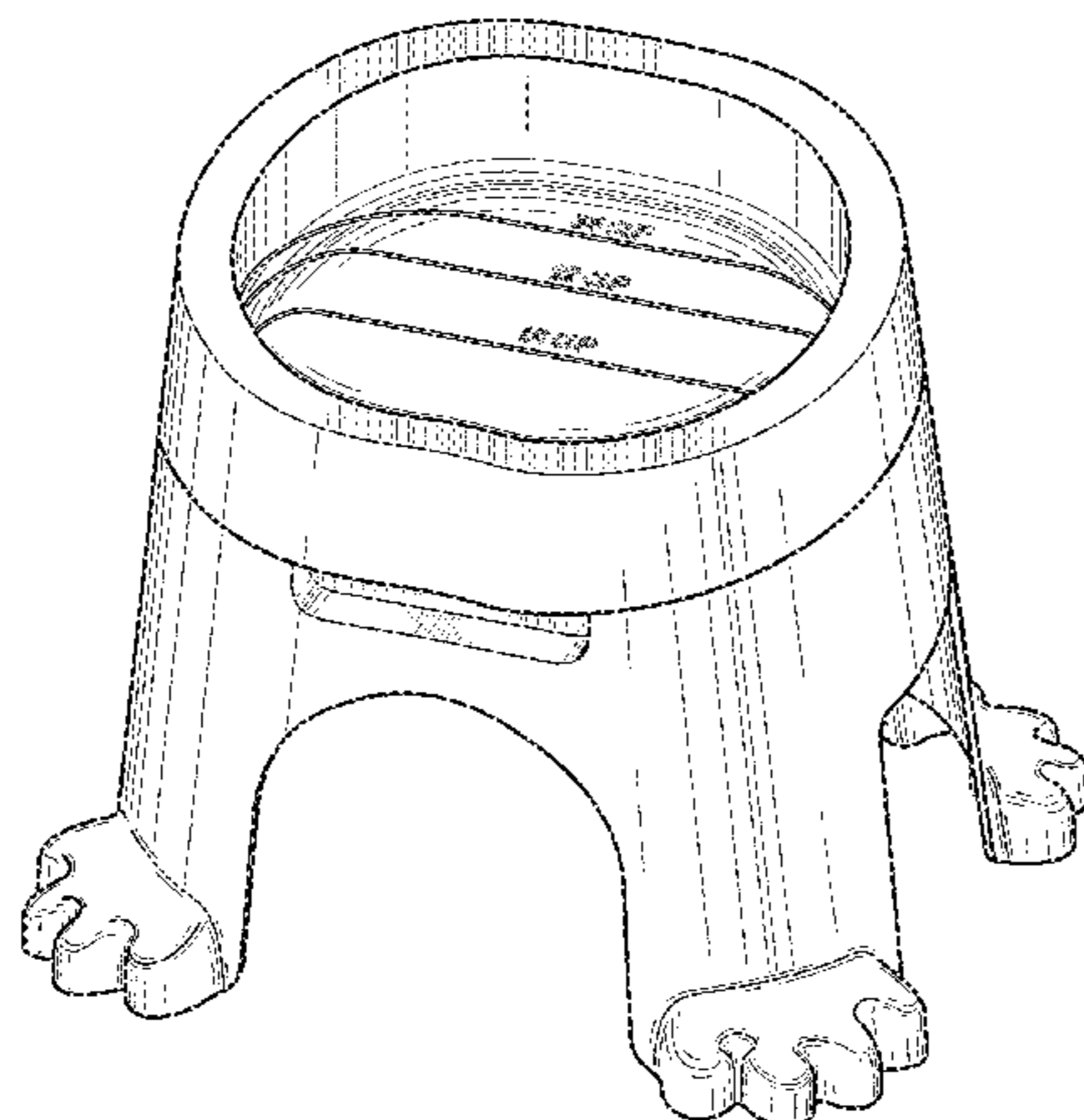
(57) **CLAIM**

We claim the ornamental design for an elevated dog bowl, as shown and described.

**DESCRIPTION**

FIG. 1 is a perspective view of an elevated dog bowl.  
 FIG. 2 is a perspective view of the claimed design from below.  
 FIG. 3 is an exploded view of the claimed design showing a removable bowl of the elevated dog bowl separated from a base of the elevated dog bowl.  
 FIG. 4 is a front elevation view of the claimed design.  
 FIG. 5 is a rear elevation view thereof.  
 FIG. 6 is a left-side elevation view thereof.  
 FIG. 7 is a right-side elevation view thereof.  
 FIG. 8 is a top plan view thereof; and,  
 FIG. 9 is a bottom plan view thereof.  
 The features depicted in broken line are not claimed.

**1 Claim, 6 Drawing Sheets**



(56)

References Cited

U.S. PATENT DOCUMENTS

D270,407 S \* 9/1983 Ochwat ..... D6/528  
 D277,245 S \* 1/1985 Unverzagt ..... D6/351  
 D279,445 S 7/1985 Jagger  
 D287,772 S 1/1987 Stewart  
 D289,807 S \* 5/1987 Russell ..... D30/129  
 4,800,845 A 1/1989 Budd  
 4,925,032 A 5/1990 Liles  
 4,973,018 A 11/1990 Agor  
 D313,487 S 1/1991 Conner  
 5,046,633 A 9/1991 Chung  
 5,062,527 A 11/1991 Westerman  
 5,203,845 A 4/1993 Moore  
 D356,449 S \* 3/1995 Frye ..... D6/359  
 D370,146 S \* 5/1996 Petronio ..... D6/534  
 D377,430 S \* 1/1997 Hopwood ..... D6/709.14  
 5,845,605 A 12/1998 Malamphy  
 D406,925 S \* 3/1999 Sharon ..... D30/129  
 D409,448 S 5/1999 Hudson et al.  
 D412,605 S \* 8/1999 Sharon ..... D30/129  
 D421,697 S 3/2000 Hollinger  
 6,126,240 A \* 10/2000 Tse ..... 297/461  
 D439,707 S 3/2001 Hansen et al.  
 D442,831 S 5/2001 Jacobs  
 D451,709 S \* 12/2001 Heithecker ..... D6/661.3  
 D454,234 S \* 3/2002 Weterrings ..... D30/129  
 D465,884 S 11/2002 Ross  
 D467,044 S 12/2002 Tangolics  
 D467,687 S 12/2002 Tangolics  
 D470,631 S 2/2003 Teufel  
 D471,406 S 3/2003 Wellner  
 D471,677 S 3/2003 Northrop  
 D472,021 S 3/2003 Northrop  
 D473,758 S 4/2003 Wilson  
 D477,691 S \* 7/2003 Crowley ..... D30/131  
 6,588,367 B1 7/2003 MacManus  
 6,647,921 B2 11/2003 Stokes et al.  
 D494,325 S \* 8/2004 Paterson ..... D30/121  
 D501,683 S \* 2/2005 Hernandez et al. .... D25/65  
 D502,294 S 2/2005 Hung  
 6,860,229 B1 3/2005 Craft  
 D504,196 S 4/2005 Huthmaker et al.  
 D506,644 S 6/2005 Poupel et al.  
 D514,750 S 2/2006 Matula  
 D516,025 S 2/2006 Quinn  
 D540,623 S 4/2007 Schreiber-Pethan et al.  
 D547,615 S 7/2007 Wasserman et al.  
 D548,014 S 8/2007 Kell  
 D563,606 S 3/2008 Hood et al.  
 D564,844 S 3/2008 Schreiber-Pethan et al.  
 D584,967 S \* 1/2009 Shamoon ..... D10/46.2  
 D586,611 S 2/2009 Solis et al.  
 D590,109 S 4/2009 Anderson et al.  
 D600,862 S 9/2009 Sin  
 D607,616 S 1/2010 Newsome et al.

D607,648 S \* 1/2010 Nanda ..... D4/113  
 D613,999 S 4/2010 Sierra  
 D621,559 S \* 8/2010 Clark, Jr. .... D30/133  
 D623,359 S 9/2010 Kim  
 7,789,041 B1 9/2010 Taylor  
 D625,885 S \* 10/2010 Bianchi ..... D30/129  
 D630,864 S \* 1/2011 Perelman ..... D6/351  
 D634,167 S \* 3/2011 Foster ..... D7/700  
 D636,945 S 4/2011 Anderson et al.  
 D642,025 S 7/2011 Scheurer  
 D646,442 S \* 10/2011 Chance et al. .... D30/133  
 D646,852 S 10/2011 Chance et al.  
 D647,502 S 10/2011 Holzer  
 8,056,145 B2 11/2011 Shamsnobar et al.  
 D653,000 S 1/2012 Rutherford  
 D653,474 S \* 2/2012 Garcia et al. .... D6/404  
 D659,300 S 5/2012 Lipscomb  
 D662,939 S 7/2012 Akana et al.  
 D665,541 S \* 8/2012 Shamoon ..... D30/133  
 D670,041 S 10/2012 Chance et al.  
 D676,710 S 2/2013 Kwok  
 8,381,684 B2 2/2013 Crawford  
 D701,005 S 3/2014 Gilkey et al.  
 D703,393 S 4/2014 Henley  
 2003/0066937 A1 \* 4/2003 Smith ..... 248/176.1  
 2005/0039689 A1 2/2005 Mossmer  
 2005/0039690 A1 2/2005 Sage, Jr.  
 2006/0005775 A1 1/2006 Ritchey et al.  
 2006/0027178 A1 2/2006 Stephens  
 2007/0089678 A1 \* 4/2007 Greenwood ..... 119/61.5  
 2007/0284423 A1 12/2007 Fioritti  
 2014/0346293 A1 \* 11/2014 Qiu ..... 248/176.1  
 2015/0059652 A1 3/2015 Rabideau

OTHER PUBLICATIONS

Lakeside.com, Paw footed feeder stands, 2015, 1 page.\*  
 Jones, Patricia M.; Non-Final Office Action for U.S. Appl. No. 14/019,960, filed Sep. 6, 2013, mailed May 7, 2015, 21 pgs.  
 Jones, Patricia M.; Restriction Requirement for U.S. Appl. No. 14/019,960, filed Sep. 6, 2013, mailed Mar. 26, 2015, 5 pgs.  
 Jones, Patricia M.; U.S. Patent Application entitled: Elevated Feeding Tray Apparatus having U.S. Appl. No. 14/019,960, filed Sep. 6, 2013, 19 pgs.  
 Jones, Patricia M.; Design Patent Application entitled: Elevated Pet Bowl having U.S. Appl. No. 29/521,231, filed Mar. 20, 2015, 7 pgs.  
 Doca Pet, "Dogleg Diner", located at <http://www.docapet.com/dogleg-diner.html>, accessed on Jul. 22, 2013, 5 pgs.  
 Pets Stop, "Cantilever Double Diners", located at <http://www.petsstop.com/product.php?id=547&paso=1>, accessed on Jul. 22, 2013, 5 pgs.  
 Serafin, Mike; "Bent Soap Dish", located at <http://www.memikeserafin.com/110810/973737/work/bent-soap-dish>, accessed on Jul. 25, 2013, 5 pgs.

\* cited by examiner

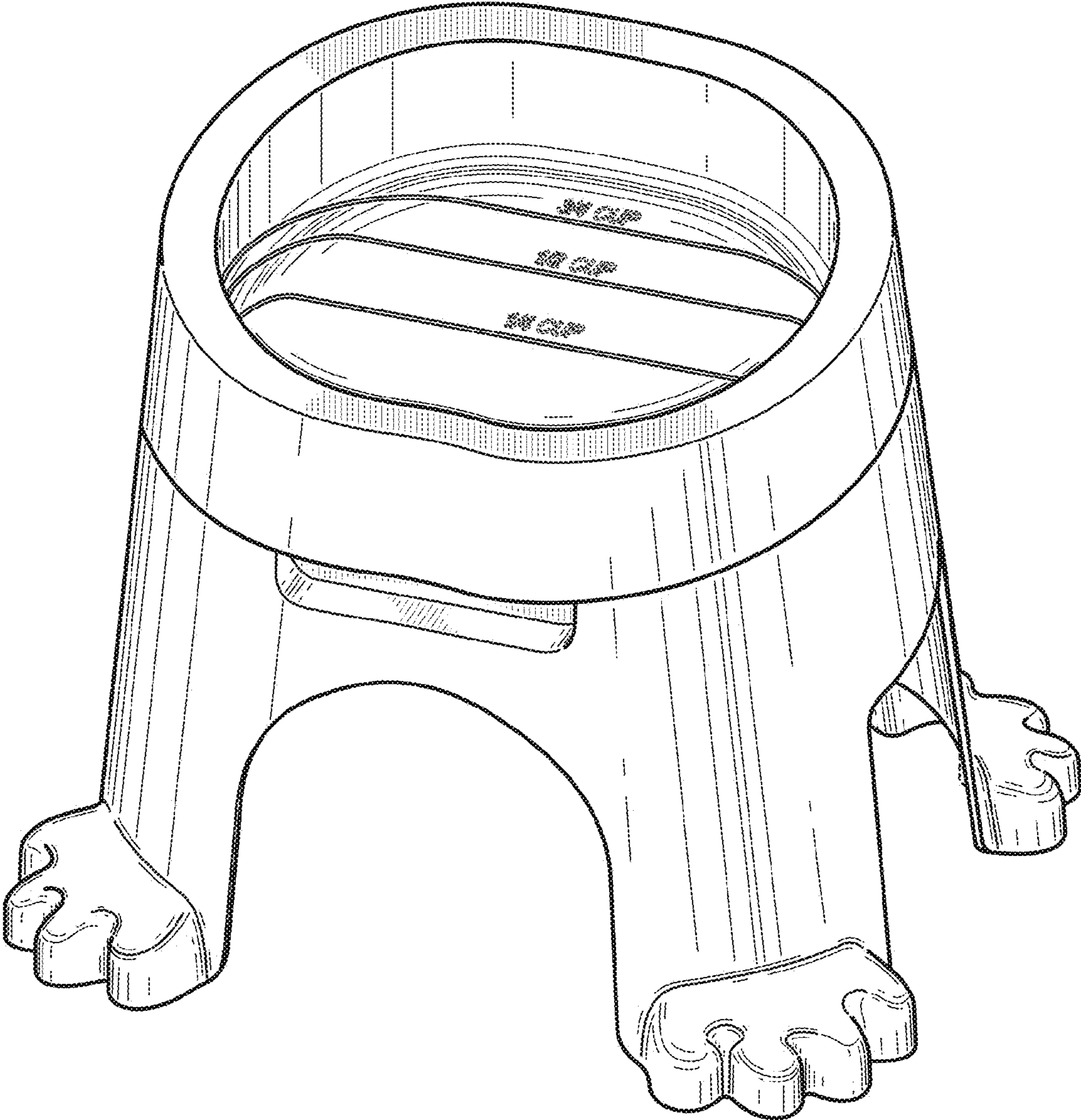


FIG. 1

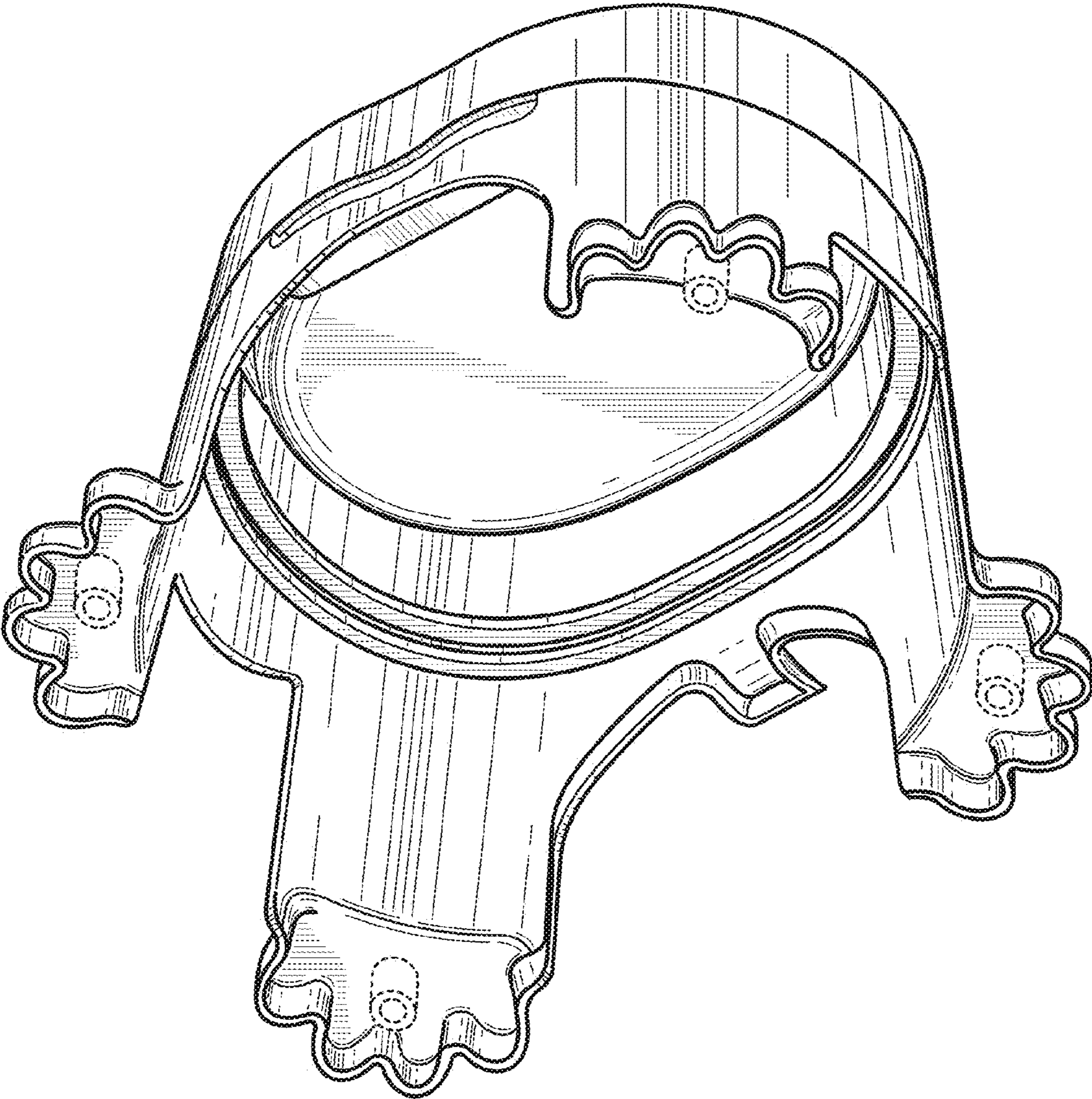


FIG. 2

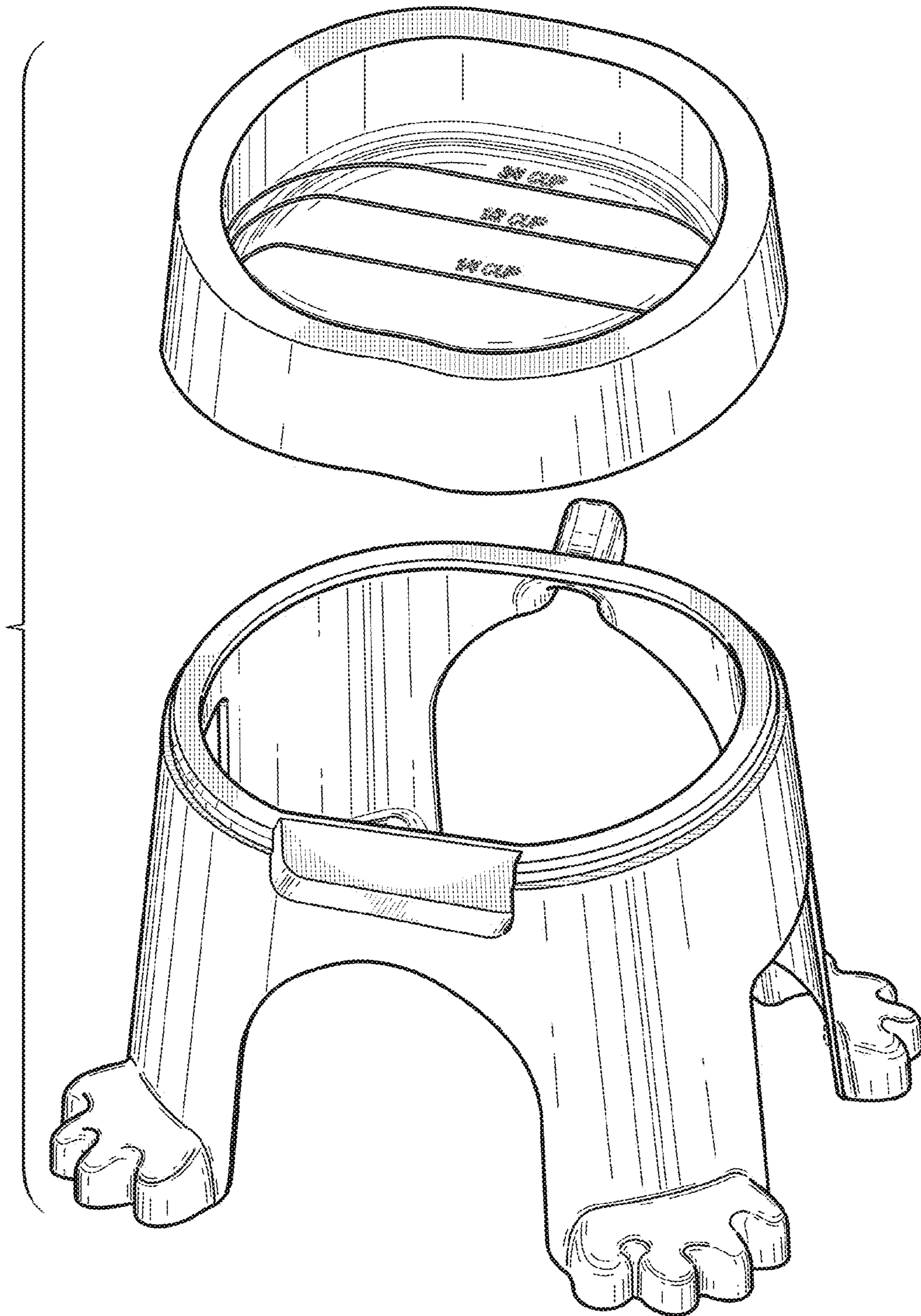
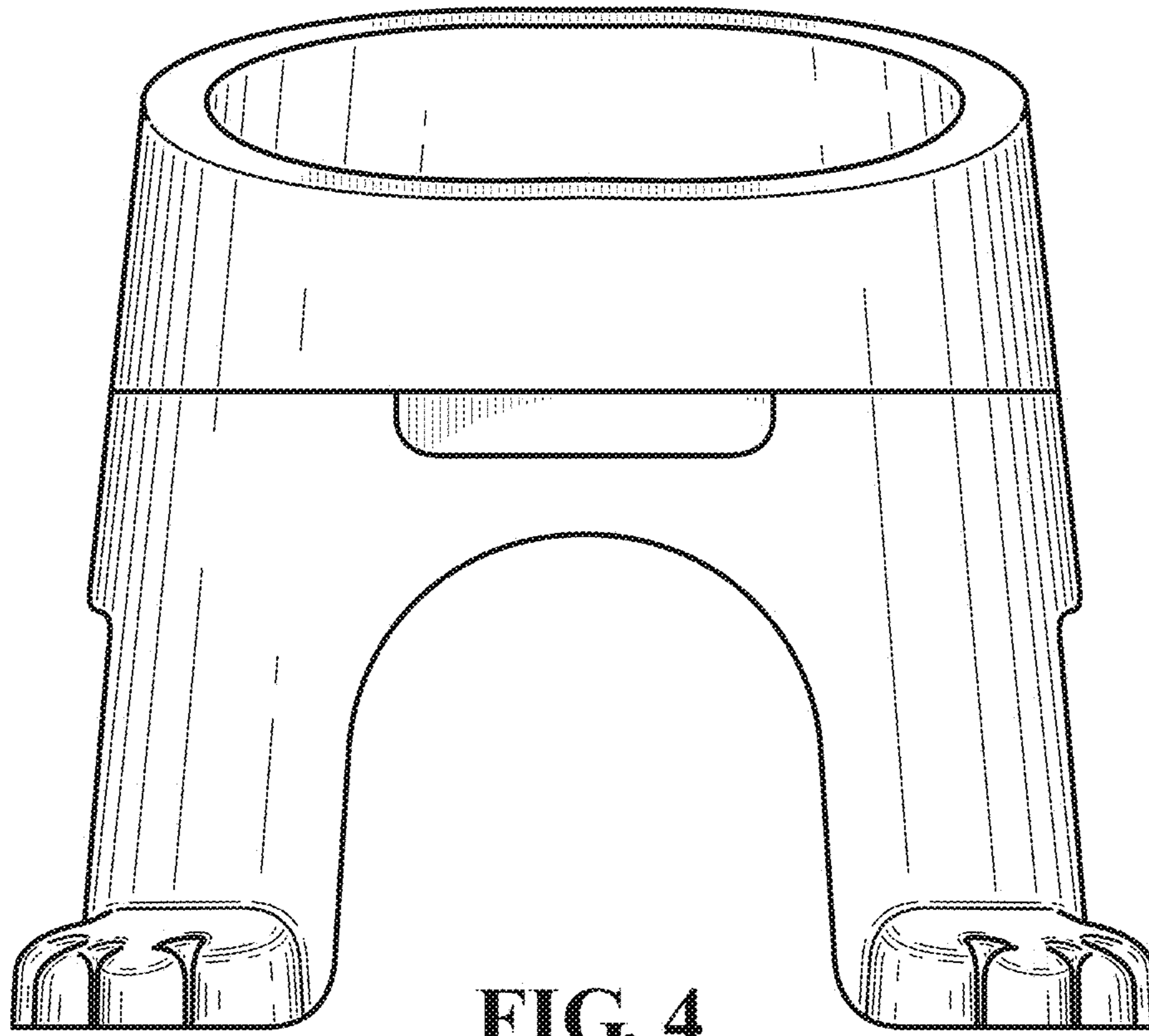
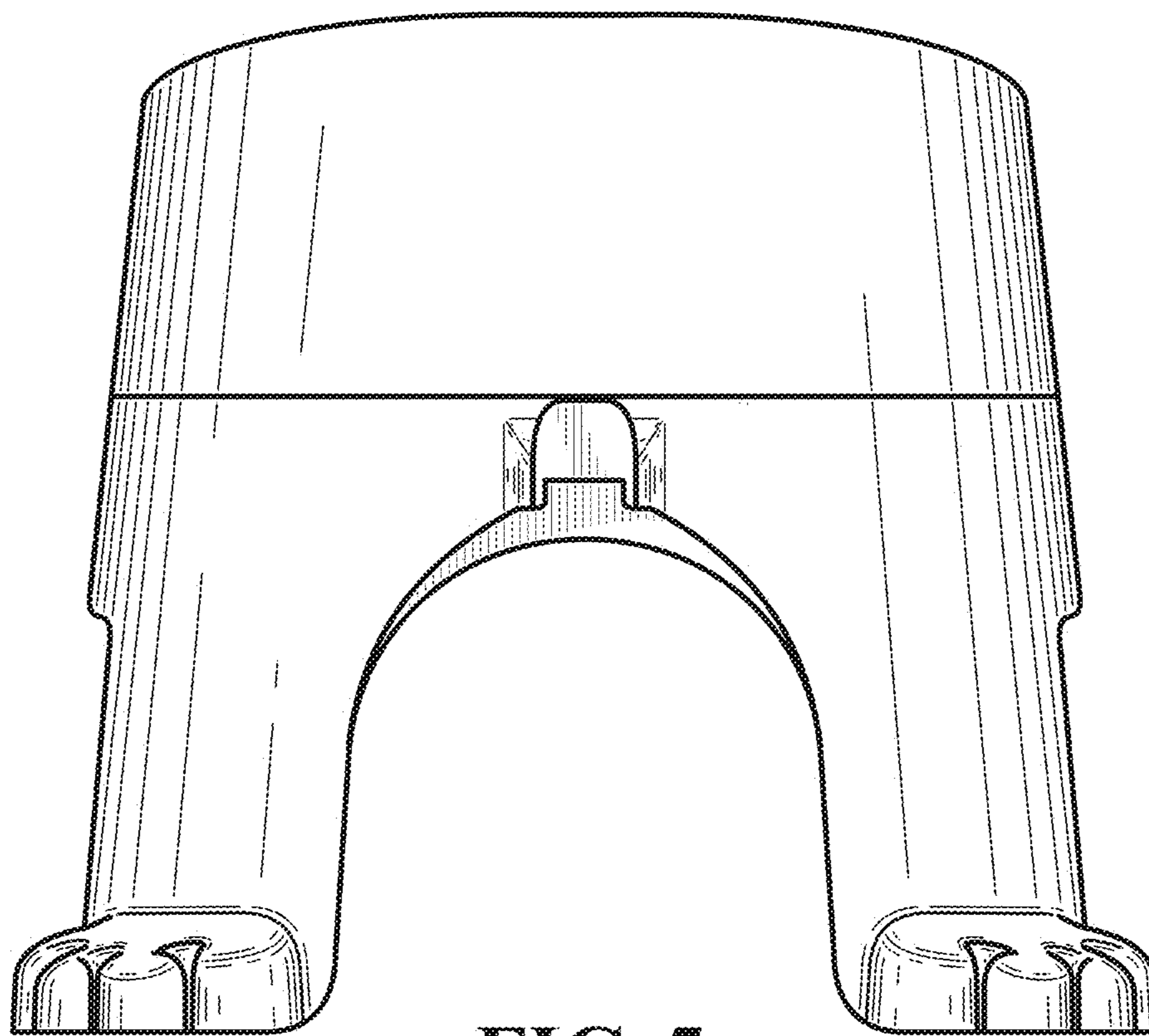


FIG. 3



**FIG. 4**



**FIG. 5**

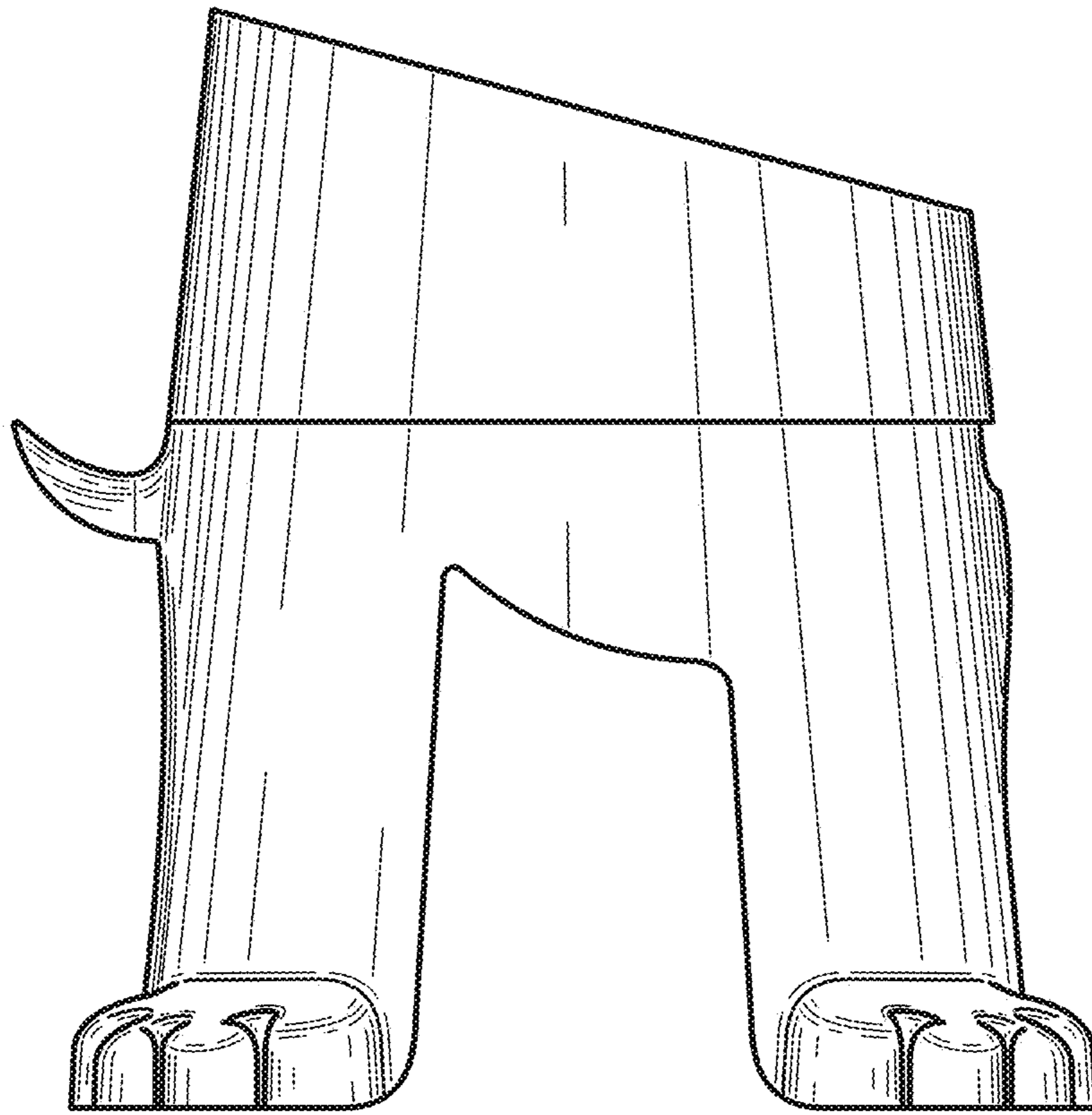


FIG. 6

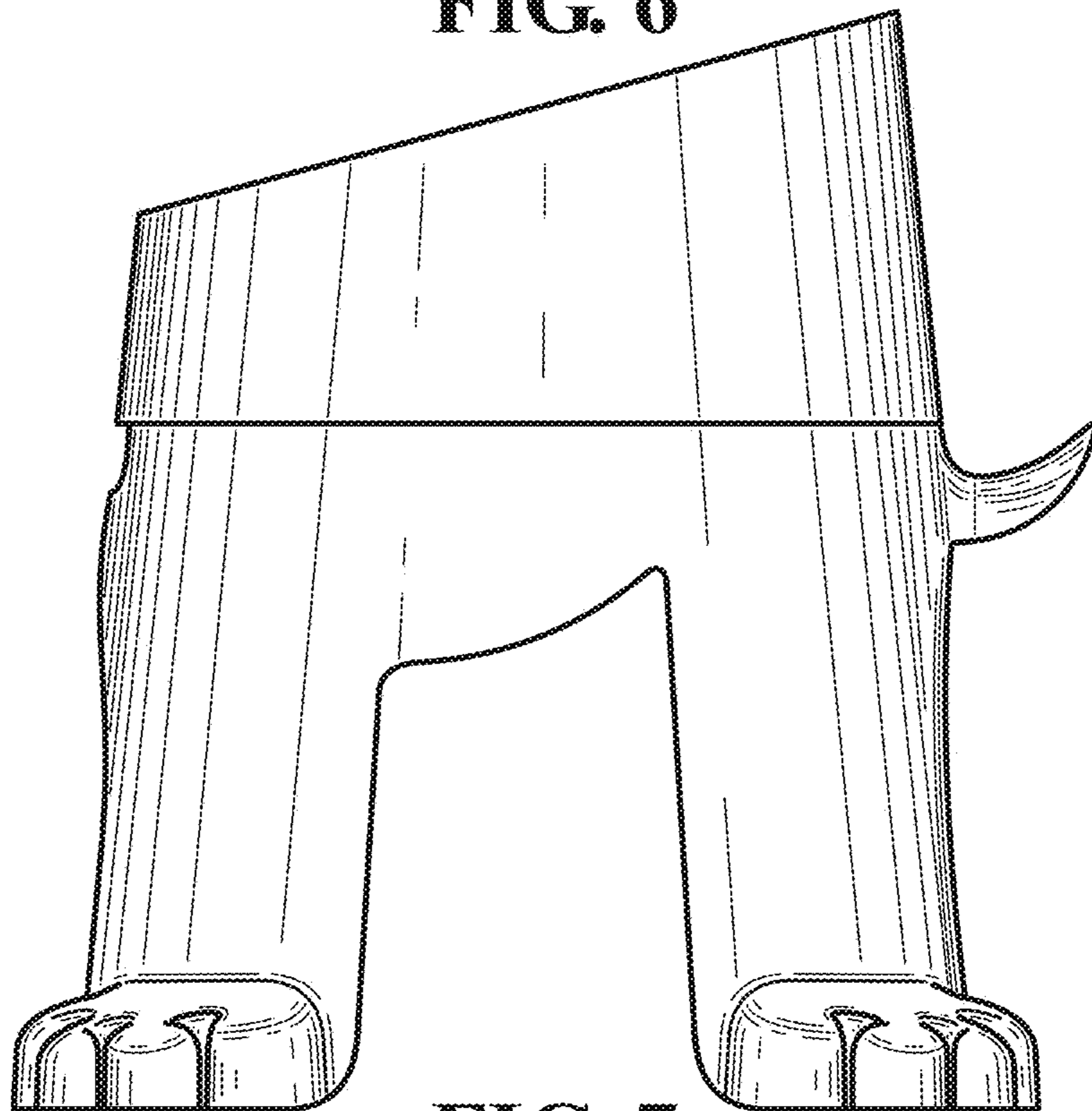


FIG. 7

