



US00D744173S

(12) **United States Design Patent**  
**Jones et al.**

(10) **Patent No.:** **US D744,173 S**  
(45) **Date of Patent:** **\*\* Nov. 24, 2015**

(54) **ELEVATED PET BOWL**

(71) Applicant: **ACT 3 VENTURES INC.**, Atlanta, GA (US)

(72) Inventors: **Patricia M. Jones**, Atlanta, GA (US);  
**Daniel W. Rossborough, Sr.**, Marietta, GA (US); **Daniel W. Rossborough, Jr.**, Marietta, GA (US)

(73) Assignee: **ACT 3 VENTURES INC.**, Atlanta, GA (US)

(\*\*) Term: **14 Years**

(21) Appl. No.: **29/521,231**

(22) Filed: **Mar. 20, 2015**

(51) **LOC (10) Cl.** ..... **30-03**

(52) **U.S. Cl.**  
USPC ..... **D30/129; D30/130**

(58) **Field of Classification Search**  
USPC ..... D30/133, 121, 128, 130, 132; 119/52.1, 119/55, 61.5, 61.6, 61.57, 61.56; D6/480-485; 248/188; 312/204; 108/153.1-157  
CPC ..... A01K 5/00; A01K 5/01; A01K 5/0107; A01K 5/0114; A01K 5/0121; A01K 5/0128; A01K 5/0135; A01K 7/005  
See application file for complete search history.

(56) **References Cited**

**U.S. PATENT DOCUMENTS**

D24,173 S \* 4/1895 Atkinson et al. .... D34/2  
D25,483 S 5/1896 Jonson  
766,427 A \* 8/1904 Crowell ..... 220/575  
1,185,440 A 5/1916 Schuetz  
D96,018 S \* 6/1935 Cannon ..... D14/251  
2,239,969 A 4/1941 Morthland  
D172,715 S \* 7/1954 Hogan ..... D23/362

2,691,362 A 10/1954 Moyer et al.  
2,812,891 A 11/1957 Carlson et al.  
D182,235 S \* 3/1958 Jaffe ..... D9/454

(Continued)

**FOREIGN PATENT DOCUMENTS**

GB 2373494 9/2002  
JP 2010063422 3/2010  
WO 03069985 8/2003

**OTHER PUBLICATIONS**

Jones, Patricia M.; Non-Final Office Action for U.S. Appl. No. 14/019,960, filed Sep. 6, 2013, mailed May 7, 2015, 21 pgs.

(Continued)

*Primary Examiner* — Susan Moon Lee

(74) *Attorney, Agent, or Firm* — Taylor English Duma LLP

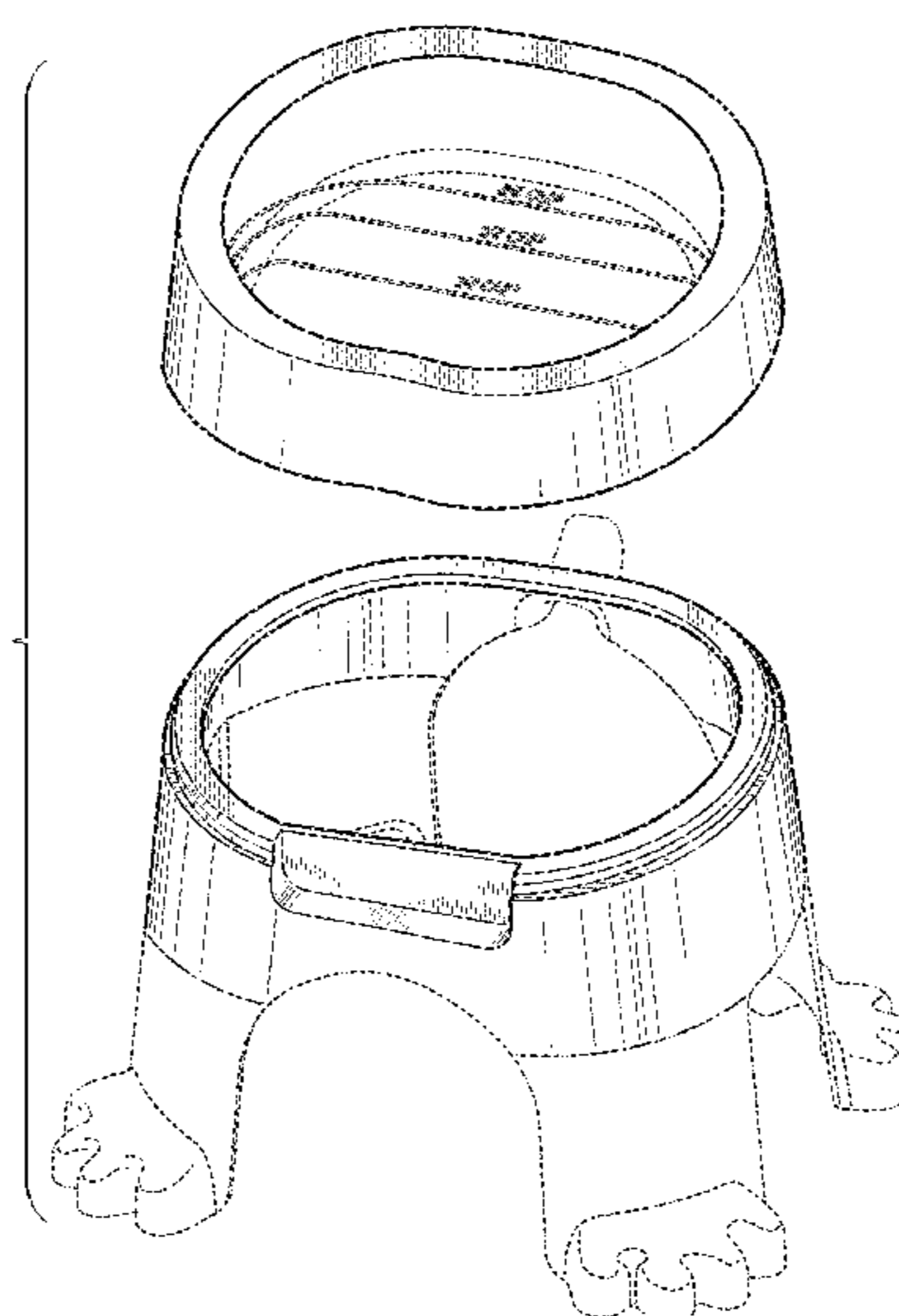
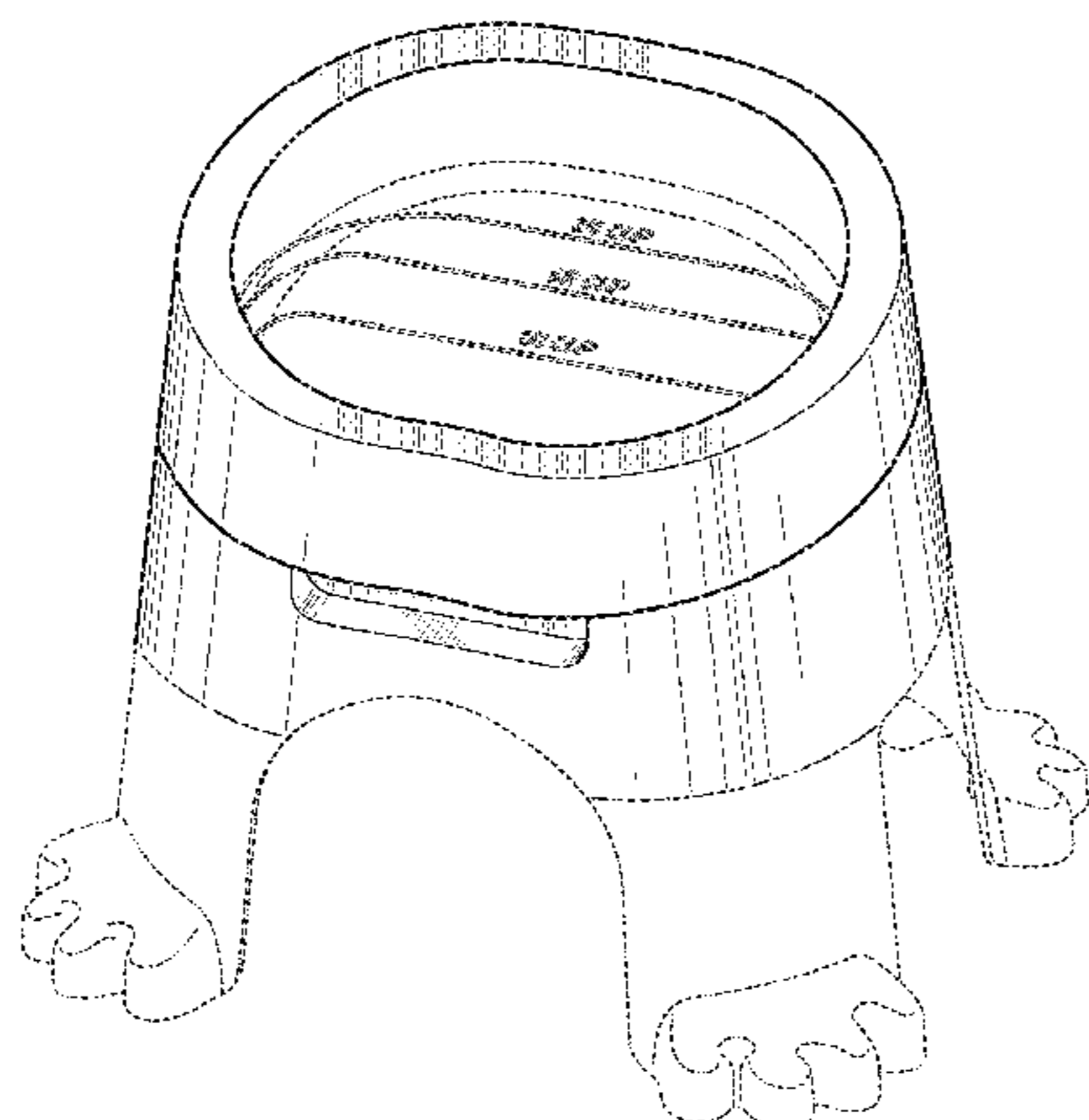
(57) **CLAIM**

We claim the ornamental design for an elevated pet bowl, as shown and described.

**DESCRIPTION**

FIG. 1 is a perspective view of an elevated pet bowl.  
FIG. 2 is a perspective view of the claimed design from below.  
FIG. 3 is an exploded view of the claimed design showing a removable bowl of the elevated pet bowl separated from a base of the elevated pet bowl.  
FIG. 4 is a front elevation view of the claimed design.  
FIG. 5 is a rear elevation view thereof.  
FIG. 6 is a left-side elevation view thereof.  
FIG. 7 is a right-side elevation view thereof.  
FIG. 8 is a top plan view thereof; and,  
FIG. 9 is a bottom plan view thereof.  
The features depicted in broken line are not claimed. Other embodiments not presently claimed include broken lines in place of one or more solid lines; consequently, other embodiments not presently claimed include one or more elements standing on their own merit. The ornamental design is not limited to the scale shown herein.

**1 Claim, 6 Drawing Sheets**



(56)

## References Cited

## U.S. PATENT DOCUMENTS

- 3,345,670 A 10/1967 Charie  
3,611,998 A \* 10/1971 Loscalzo ..... 119/61.54  
D230,034 S \* 1/1974 Goldman ..... D30/129  
D257,494 S \* 11/1980 Imhoff ..... D30/129  
D270,407 S 9/1983 Ochwat  
D277,245 S \* 1/1985 Unverzagt ..... D6/351  
D279,445 S \* 7/1985 Jagger ..... D7/558  
D287,772 S \* 1/1987 Stewart ..... D30/129  
D289,807 S \* 5/1987 Russell ..... D30/129  
4,800,845 A 1/1989 Budd  
4,925,032 A 5/1990 Liles  
4,973,018 A 11/1990 Agor  
D313,487 S \* 1/1991 Conner ..... D30/129  
5,046,633 A \* 9/1991 Chung ..... 220/574.3  
5,062,527 A 11/1991 Westerman  
5,203,845 A \* 4/1993 Moore ..... 248/118  
D356,449 S \* 3/1995 Frye ..... D6/359  
D370,146 S \* 5/1996 Petronio ..... D6/534  
D377,430 S \* 1/1997 Hopwood ..... D6/709.14  
5,845,605 A \* 12/1998 Malamphy ..... 119/69.5  
D406,925 S \* 3/1999 Sharon ..... D30/129  
D409,448 S \* 5/1999 Hudson et al. .... D7/543  
D412,605 S \* 8/1999 Sharon ..... D30/129  
D421,697 S \* 3/2000 Hollinger ..... D7/624.1  
6,126,240 A 10/2000 Tse  
D439,707 S \* 3/2001 Hansen et al. .... D30/129  
D442,831 S \* 5/2001 Jacobs ..... D7/584  
D451,709 S \* 12/2001 Heithecker ..... D6/661.3  
D454,234 S 3/2002 Weterrings  
D465,884 S \* 11/2002 Ross ..... D30/129  
D467,044 S \* 12/2002 Tangolics ..... D30/129  
D467,687 S \* 12/2002 Tangolics ..... D30/129  
D470,631 S \* 2/2003 Teufel ..... D30/132  
D471,406 S \* 3/2003 Wellner ..... D7/584  
D471,677 S \* 3/2003 Northrop ..... D30/129  
D472,021 S \* 3/2003 Northrop ..... D30/129  
D473,758 S \* 4/2003 Wilson ..... D7/587  
D477,691 S 7/2003 Crowley  
6,588,367 B1 7/2003 MacManus  
6,647,921 B2 \* 11/2003 Stokes et al. .... 119/52.3  
D494,325 S \* 8/2004 Paterson ..... D30/121  
D501,683 S 2/2005 Hernandez et al.  
D502,294 S \* 2/2005 Hung ..... D30/129  
6,860,229 B1 \* 3/2005 Craft ..... 119/61.5  
D504,196 S \* 4/2005 Huthmaker et al. .... D30/129  
D506,644 S \* 6/2005 Poupel et al. .... D7/603  
D514,750 S \* 2/2006 Matula ..... D30/129  
D516,025 S \* 2/2006 Quinn ..... D13/108  
D540,623 S \* 4/2007 Schreiber-Pethan et al. .. D7/584  
D547,615 S \* 7/2007 Wasserman et al. .... D7/560  
D548,014 S \* 8/2007 Kell ..... D7/584  
D563,606 S \* 3/2008 Hood et al. .... D30/129  
D564,844 S \* 3/2008 Schreiber-Pethan et al. .. D7/586  
D584,967 S \* 1/2009 Shamoon ..... D10/46.2  
D586,611 S \* 2/2009 Solis et al. .... D7/354  
D590,109 S \* 4/2009 Anderson et al. .... D30/129  
D600,862 S \* 9/2009 Sin ..... D30/129  
D607,616 S \* 1/2010 Newsome et al. .... D30/129  
D607,648 S \* 1/2010 Nanda ..... D4/113  
D613,999 S \* 4/2010 Sierra ..... D7/587  
D621,559 S 8/2010 Clark, Jr.  
D623,359 S \* 9/2010 Kim ..... D30/129  
7,789,041 B1 \* 9/2010 Taylor ..... 119/61.5  
D625,885 S \* 10/2010 Bianchi ..... D30/129  
D630,864 S \* 1/2011 Perelman ..... D6/351  
D634,167 S \* 3/2011 Foster ..... D7/700  
D636,945 S \* 4/2011 Anderson et al. .... D30/129  
D642,025 S \* 7/2011 Scheurer ..... D8/8  
D646,442 S \* 10/2011 Chance et al. .... D30/133  
D646,852 S \* 10/2011 Chance et al. .... D30/129  
D647,502 S \* 10/2011 Holzer ..... D14/171  
8,056,145 B2 11/2011 Shamsnobar et al.  
D653,000 S \* 1/2012 Rutherford ..... D30/130  
D653,474 S \* 2/2012 Garcia et al. .... D6/404  
D659,300 S \* 5/2012 Lipscomb ..... D30/132  
D662,939 S \* 7/2012 Akana et al. .... D14/447  
D665,541 S \* 8/2012 Shamoon ..... D30/133  
D670,041 S \* 10/2012 Chance et al. .... D30/129  
D676,710 S \* 2/2013 Kwok ..... D7/544  
8,381,684 B2 2/2013 Crawford  
D701,005 S \* 3/2014 Gilkey et al. .... D30/133  
D703,393 S \* 4/2014 Henley ..... D30/129  
2003/0066937 A1 \* 4/2003 Smith ..... 248/176.1  
2005/0039689 A1 \* 2/2005 Mossmer ..... 119/61.5  
2005/0039690 A1 2/2005 Sage, Jr.  
2006/0005775 A1 1/2006 Ritchey et al.  
2006/0027178 A1 2/2006 Stephens  
2007/0089678 A1 \* 4/2007 Greenwood ..... 119/61.5  
2007/0284423 A1 12/2007 Fioritti  
2014/0346293 A1 \* 11/2014 Qiu ..... 248/176.1  
2015/0059652 A1 \* 3/2015 Rabideau ..... 119/61.5

## OTHER PUBLICATIONS

- Jones, Patricia M.; Restriction Requirement for U.S. Appl. No. 14/019,960, filed Sep. 6, 2013, mailed Mar. 26 2015, 5 pgs.  
Jones, Patricia M.; U.S. Patent Application entitled: Elevated Feeding Tray Apparatus having U.S. Appl. No. 14/019,960, filed Sep. 6, 2013, 19 pgs.  
Jones, Patricia M.; Design Patent Application entitled: Elevated Dog Bowl having U.S. Appl. No. 29/521,229, filed Mar. 20, 2015, 7 pgs.  
Doga Pet, "Dogleg Diner", located at <http://www.dogapet.com/dogleg-diner.html>, accessed on Jul. 22, 2013, 5 pgs.  
Pets Stop, "Cantilever Double Diners", located at <http://www.petsstop.com/product.php?id=547&paso=1>, accessed on Jul. 22, 2013, 5 pgs.  
Serafin, Mike; "Bent Soap Dish", located at <http://www.memikeserafin.com/110810/973737/work/bent-soap-dish>, accessed on Jul. 25, 2013, 5 pgs.  
Jones, Patricia M.; Notice of Allowance for U.S. Appl. No. 29/521,229, filed Mar. 20, 2015, mailed Jul. 15, 2015, 13 pgs.  
Dylankendall.com Paw Footed Bowls, Sep. 2013, 1 page.  
Lakeside.com, Paw footed feeder stands, 2015, 1 page.

\* cited by examiner

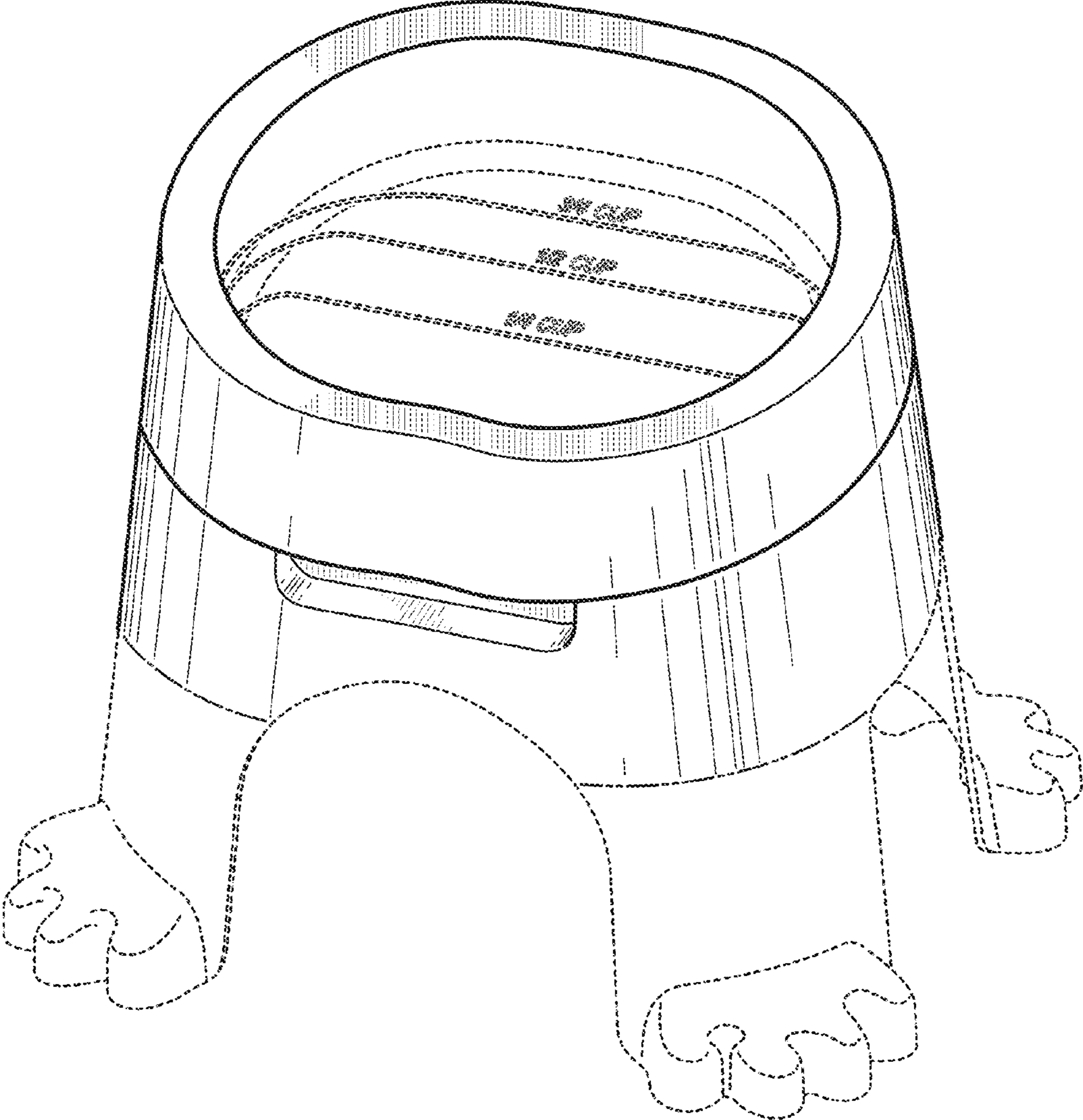


FIG. 1

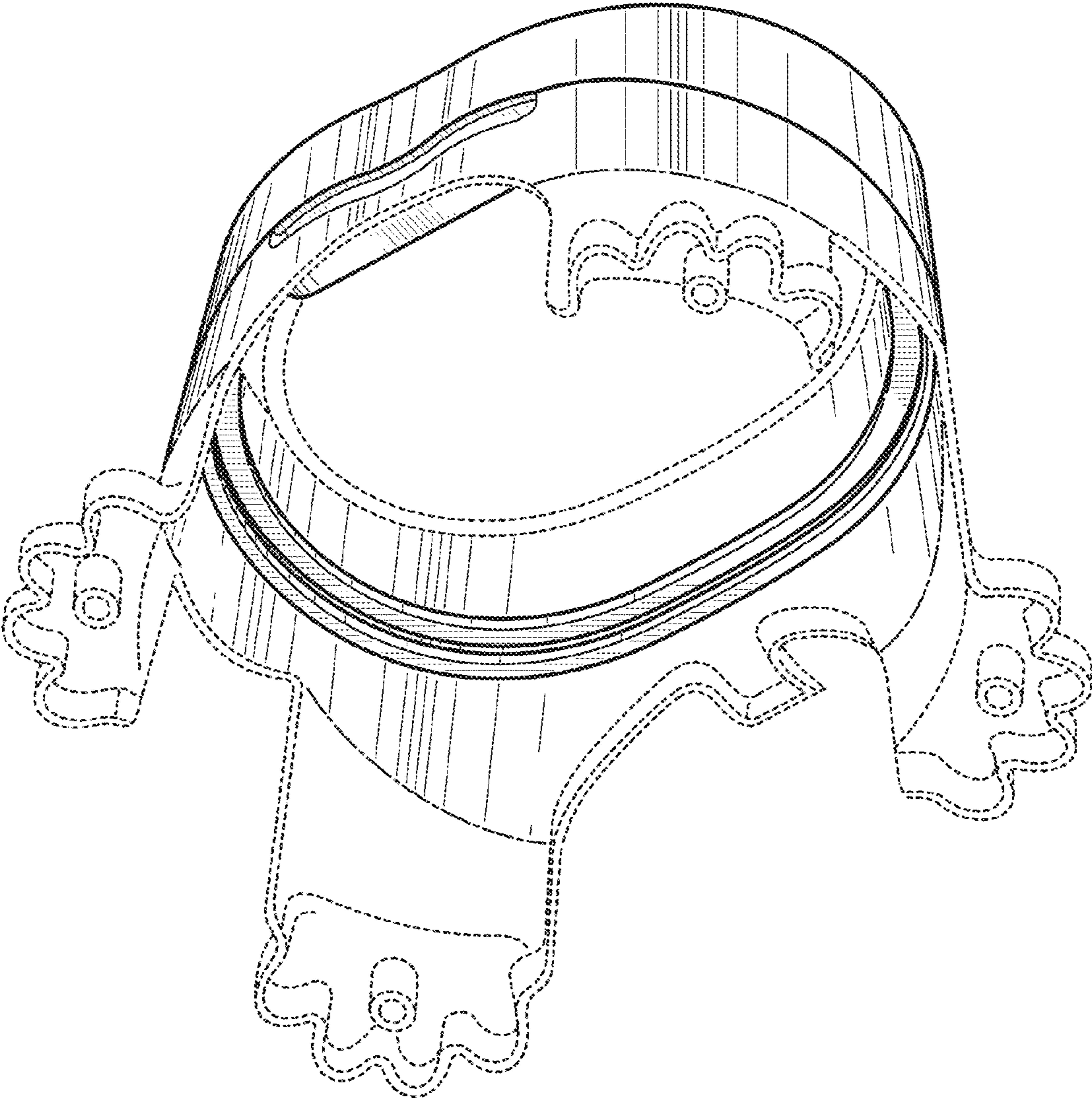


FIG. 2

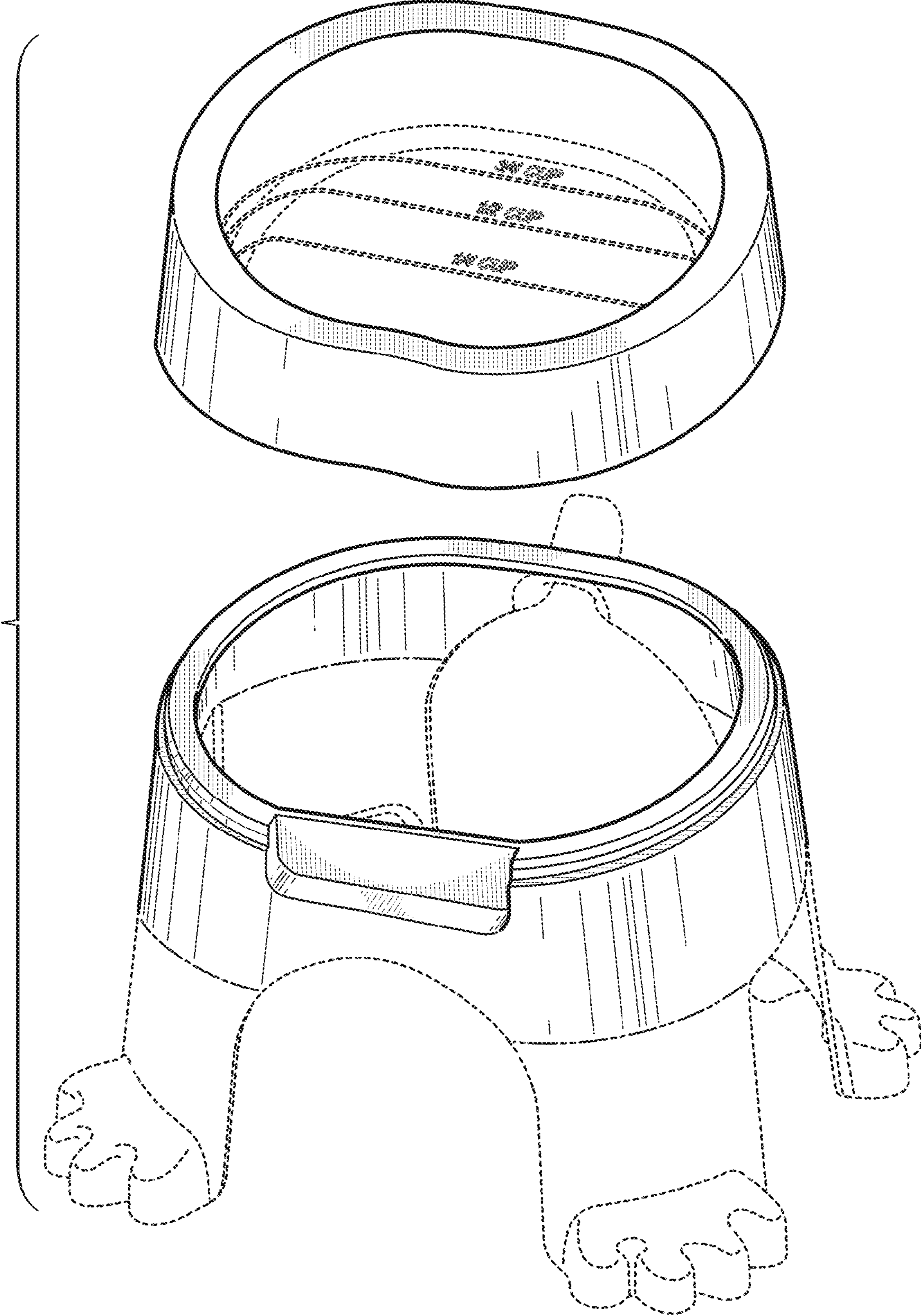
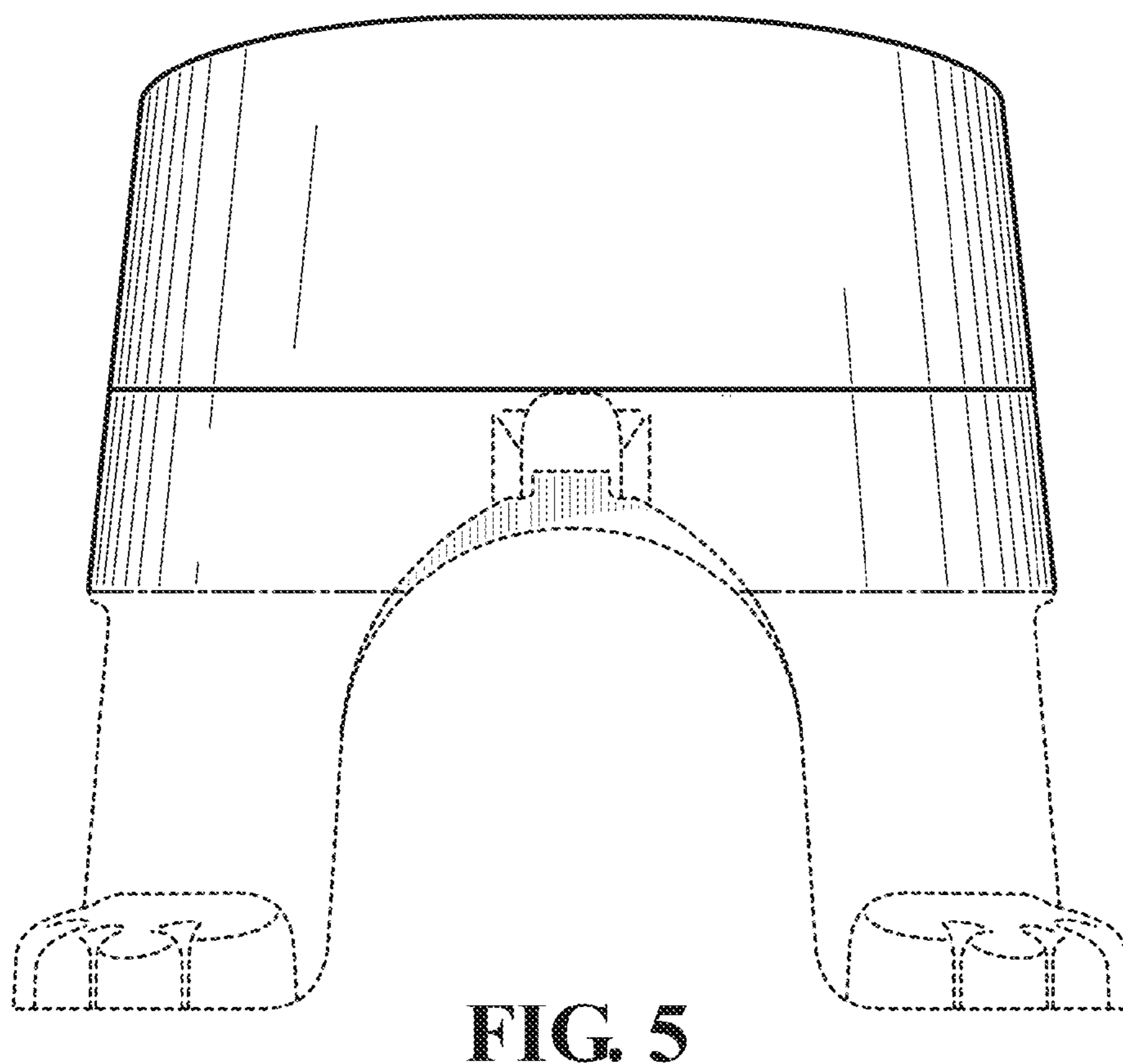
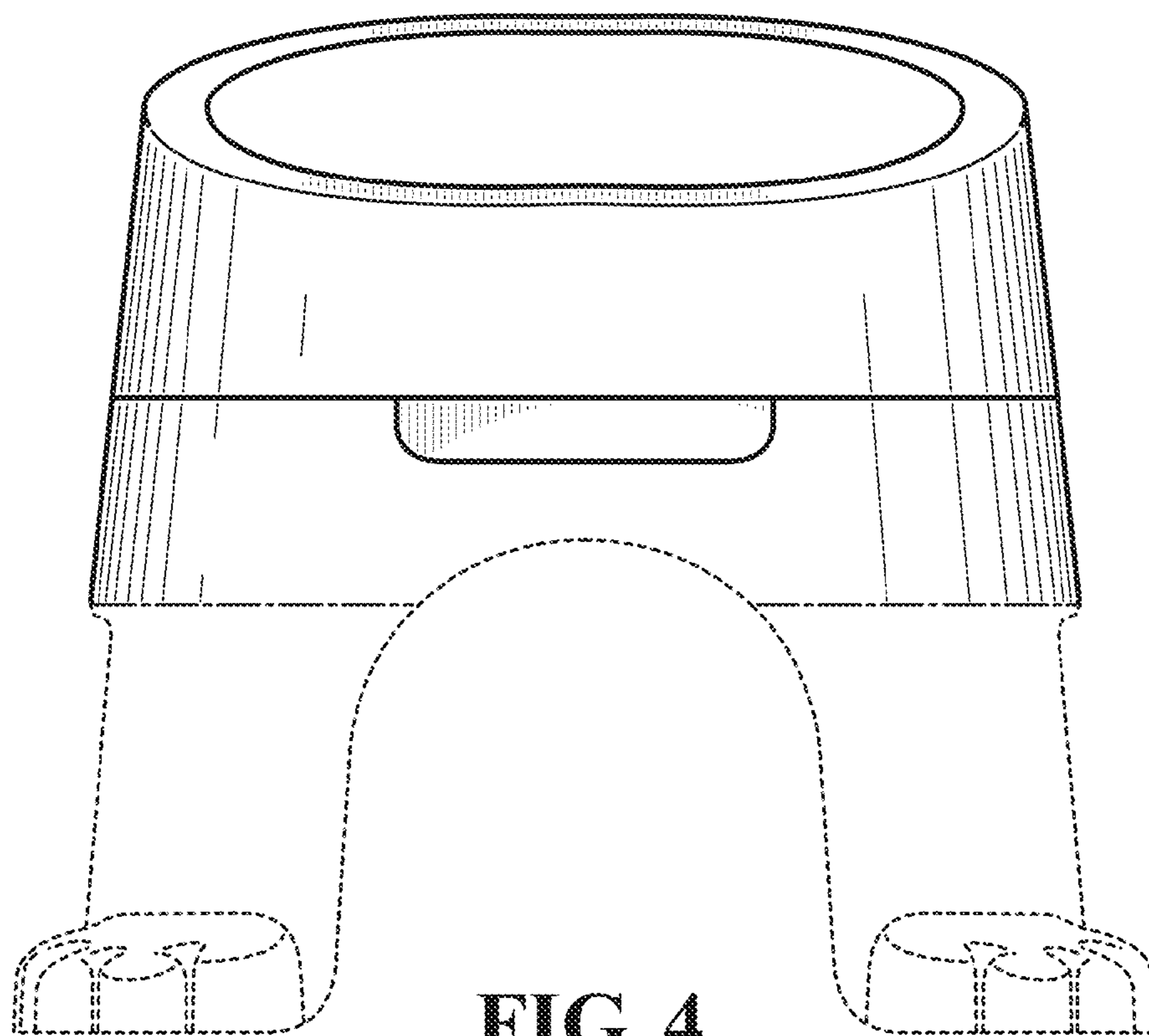
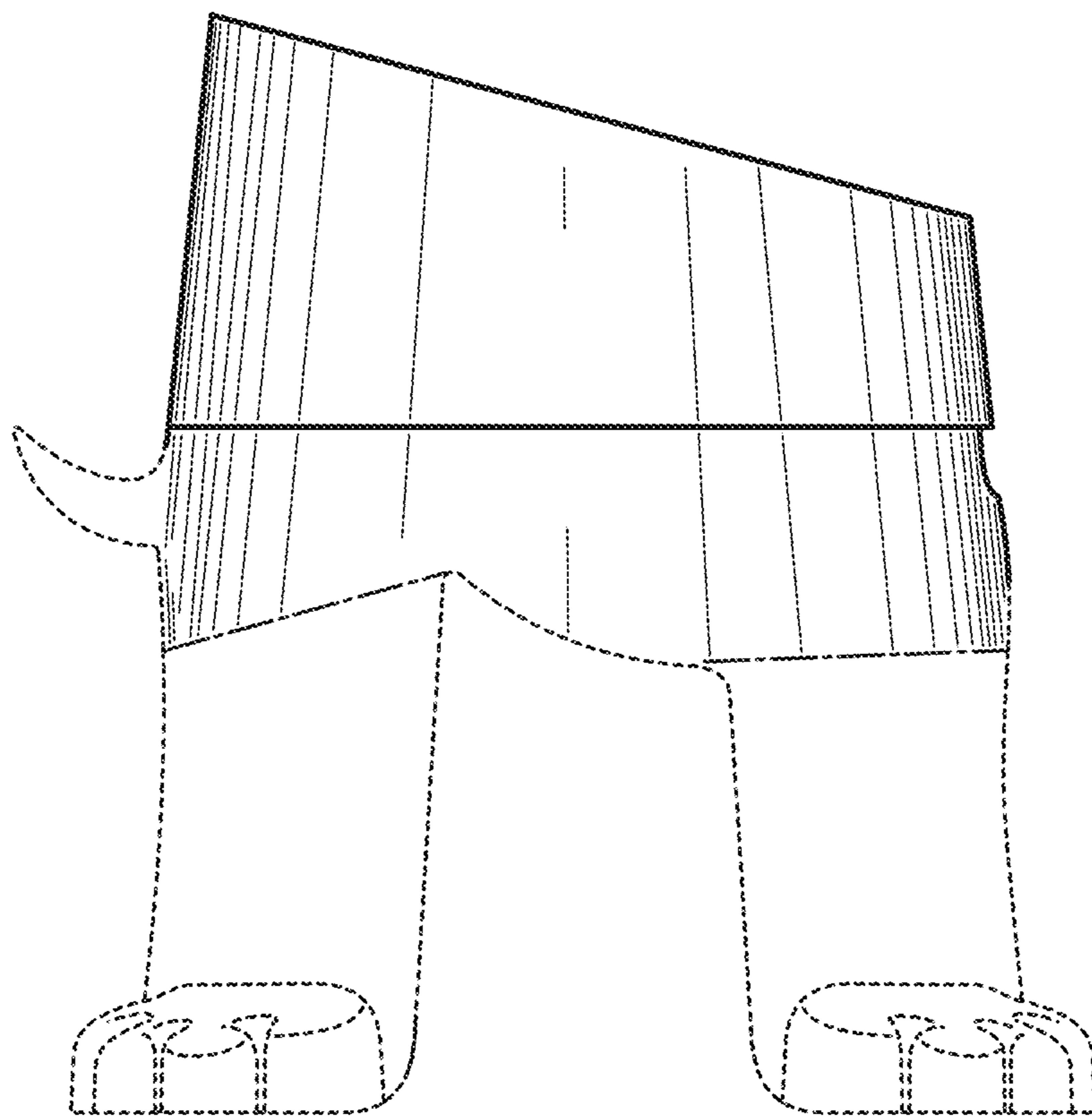
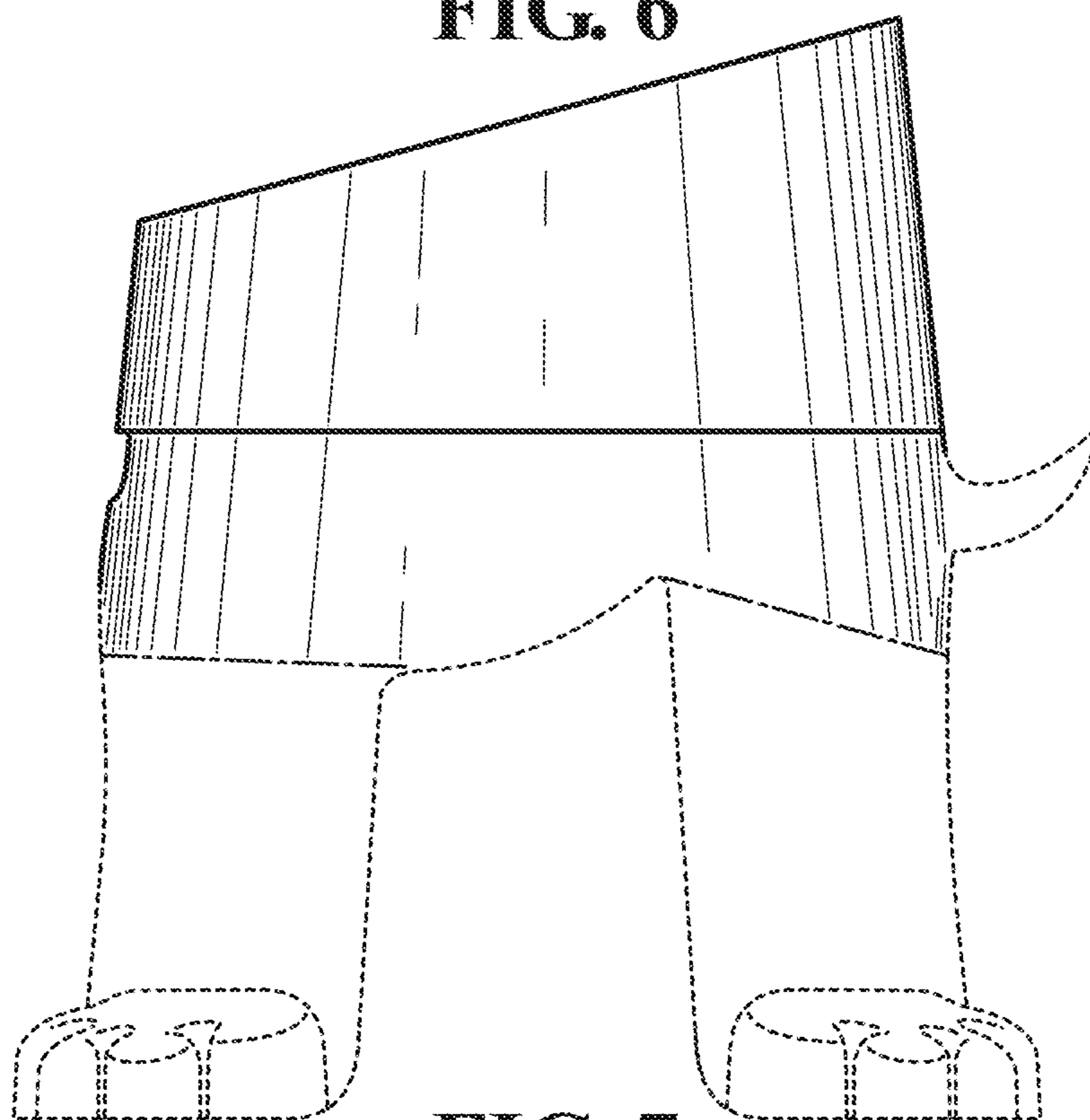


FIG. 3

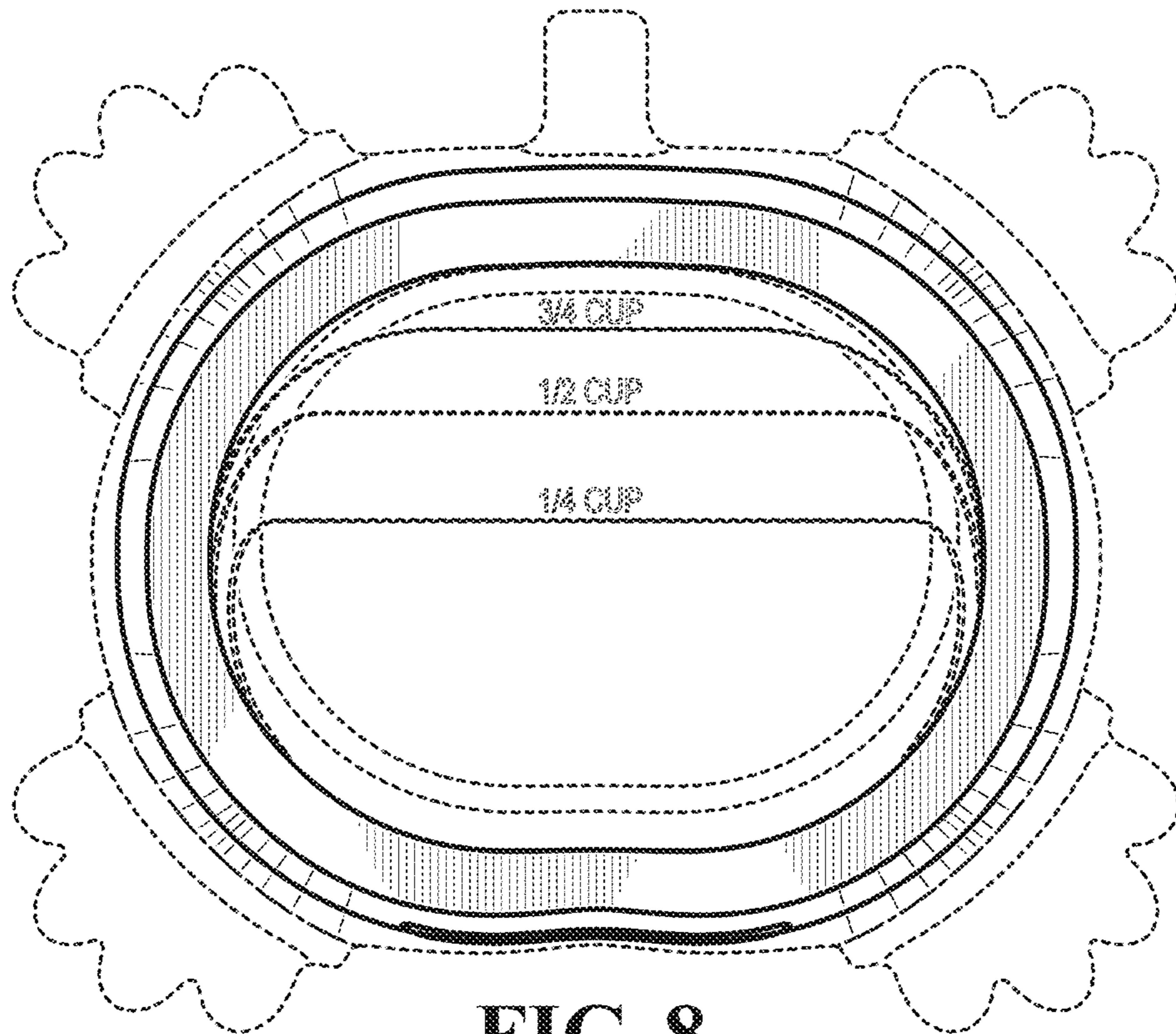




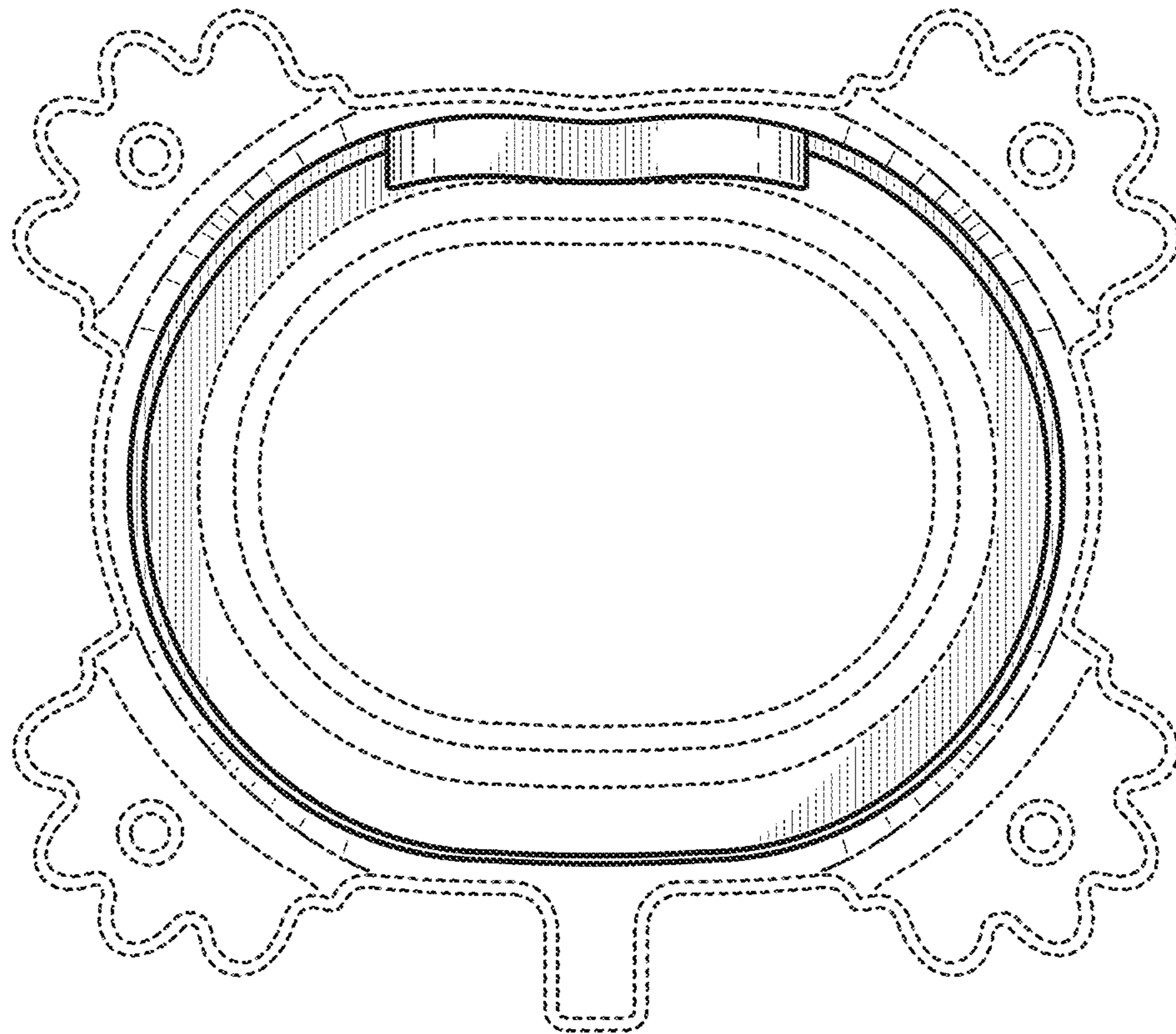
**FIG. 6**



**FIG. 7**



**FIG. 8**



**FIG. 9**