



US00D744172S

(12) **United States Design Patent**
Donegan et al.

(10) **Patent No.:** **US D744,172 S**
(45) **Date of Patent:** **** Nov. 24, 2015**

(54) **SEED RESERVOIR BOTTLE FOR A WILD BIRD FEEDER**

(56) **References Cited**

U.S. PATENT DOCUMENTS

(71) Applicant: **Classic Brands, LLC**, Denver, CO (US)

15,982 A 10/1856 Moulton
D3,585 S 7/1869 Brown
D4,451 S 11/1870 Pitts
117,807 A 8/1871 Orndorff
D7,964 S 12/1874 Morse
D8,908 S 1/1876 Wiley

(72) Inventors: **Robert W. Donegan**, Denver, CO (US);
Bryan Krueger, Denver, CO (US); **John Bruno**, Parker, CO (US)

(Continued)

(73) Assignee: **Classic Brands, LLC**, Denver, CO (US)

FOREIGN PATENT DOCUMENTS

(**) Term: **14 Years**

GB 2269305 A 4/1992

(21) Appl. No.: **29/510,624**

OTHER PUBLICATIONS

(22) Filed: **Dec. 1, 2014**

U.S. Appl. No. 29/486,002, filed Mar. 25, 2014, Krueger.

(Continued)

Related U.S. Application Data

(63) Continuation of application No. 29/438,291, filed on Nov. 28, 2012, now Pat. No. Des. 720,506.

Primary Examiner — Susan Moon Lee

(74) *Attorney, Agent, or Firm* — Polsinelli PC

(51) **LOC (10) Cl.** **30-03**

(57) **CLAIM**

The ornamental design for a seed reservoir bottle for a wild bird feeder, as shown and described.

(52) **U.S. Cl.**

DESCRIPTION

USPC **D30/127**

(58) **Field of Classification Search**

USPC D30/121, 124, 126–129, 133, 199,
D30/110–112, 123, 125; 119/52.2, 51.5,
119/61.5, 57.8, 57.9, 52.3, 61.1, 531, 63,
119/428–435, 52.4, 55, 61.3, 69.5, 75, 76;
47/67, 83; 248/318; D11/164, 152;
211/128.1; D27/123; D6/495, 460,
D6/461, 476, 405

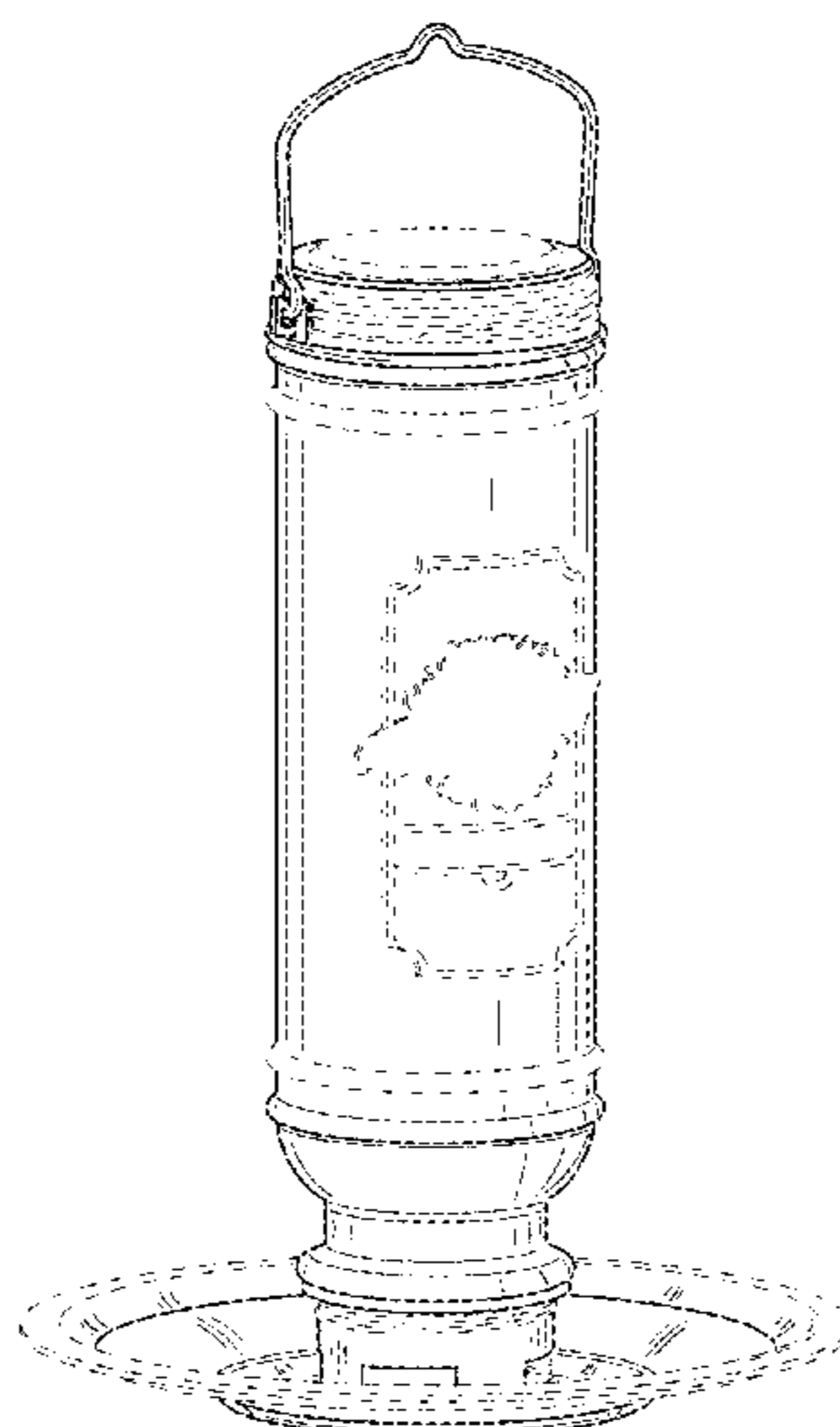
CPC ... A01K 39/00; A01K 39/01; A01K 39/0106;
A01K 39/0113; A01K 39/012; A01K 39/0125;
A01K 39/014; A01K 39/04; A01K 39/06;
A01K 31/12; A01K 31/14

See application file for complete search history.

FIG. 1 is a perspective view of the seed reservoir bottle for a wild bird feeder showing our new design.
FIG. 2 is an isometric view of the seed reservoir bottle for a wild bird feeder.
FIG. 3 is a front view of the seed reservoir bottle for a wild bird, the back view being a substantial mirror image thereof.
FIG. 4 is a side view of the seed reservoir bottle for a wild bird feeder.
FIG. 5 is a bottom perspective view of the seed reservoir bottle for a wild bird feeder.
FIG. 6 is a top plan view of the seed reservoir bottle for a wild bird feeder; and,
FIG. 7 is a bottom plan view of the seed reservoir bottle for a wild bird feeder.

The portions of the drawings shown in broken lines are environment only and form no part of the claimed design.

1 Claim, 7 Drawing Sheets



(56)

References Cited

U.S. PATENT DOCUMENTS

D17,296 S	5/1887	Putnam et al.	D277,703 S	2/1985	Kilham
D22,607 S	7/1893	Johnes	D277,988 S	3/1985	Kilham
502,559 A	8/1893	Gilman	D279,456 S	7/1985	Fortuna
D24,947 S	12/1895	Feeny et al.	D284,033 S	5/1986	Brodsky
D28,734 S	5/1898	Muller	D287,652 S	1/1987	Mack
632,167 A	8/1899	Biesmeyer	D288,353 S	2/1987	Smith
D34,318 S	4/1901	Juhring	D290,773 S	7/1987	Liethen
721,435 A	2/1903	Fielding	4,702,198 A	10/1987	Holyoak
D36,459 S	7/1903	Brosi	4,712,512 A	12/1987	Schreib et al.
813,954 A	2/1906	Davis	4,732,112 A	3/1988	Fenner et al.
D39,701 S	12/1908	Watkins	D297,297 S	8/1988	Lacey
954,968 A	4/1910	Jacoy	D299,770 S	2/1989	Coffer
1,010,543 A	12/1911	Walter et al.	4,896,628 A	1/1990	Kadunce
1,023,240 A	4/1912	Bowier	4,938,168 A	7/1990	Meidell
1,107,206 A	8/1914	Schwartzburg	D309,858 S	8/1990	Meyersburg
1,181,045 A	4/1916	Tessier	4,980,990 A	1/1991	Hiday
1,265,481 A	5/1918	Mosby	5,016,791 A	5/1991	Burow
1,377,111 A	5/1921	Blair	5,033,411 A	7/1991	Brucker
1,426,508 A	8/1922	Rollings	D319,389 S	8/1991	Halm
1,434,831 A	11/1922	Long	5,040,698 A	8/1991	Ramsey et al.
D62,888 S	8/1923	Davis, Jr. et al.	5,062,390 A	11/1991	Bescherer et al.
1,472,667 A	10/1923	Nelson	D322,044 S	12/1991	Marsar et al.
D65,772 S	10/1924	Caltis	D329,892 S	9/1992	Brister
1,521,782 A	1/1925	Meier	5,183,005 A	2/1993	Tyler
1,538,480 A	5/1925	Gallagher	5,195,463 A	3/1993	Lorenzana et al.
1,555,407 A	9/1925	Ferris	D335,006 S	4/1993	Blasbalg
1,557,068 A	10/1925	Lee	D337,614 S	7/1993	Turner
1,566,571 A	12/1925	Appleton	D343,030 S	1/1994	Harwick, Jr.
D71,107 S	9/1926	Gorowitz	D344,390 S	2/1994	May et al.
1,623,439 A	4/1927	Rawlings	D346,745 S	5/1994	Heynen et al.
1,634,569 A	7/1927	Bray	D347,714 S	6/1994	Maple et al.
1,634,648 A	7/1927	Cardinet	D360,710 S	7/1995	Colwell
1,644,063 A	10/1927	Kircher	D366,413 S	1/1996	Tober
D76,001 S	8/1928	Broch	D367,614 S	3/1996	Pagarani
1,682,575 A	8/1928	Leon et al.	D368,337 S	3/1996	Dickinson
1,858,087 A	5/1932	Howard	5,507,249 A	4/1996	Shaw
1,905,856 A	4/1933	Haase et al.	D370,634 S	6/1996	Mero et al.
D95,019 S	4/1935	Cooperstein	D371,838 S	7/1996	Davis et al.
2,000,609 A	5/1935	Pitman	5,564,226 A	10/1996	Paramest
D102,532 S	12/1936	Vuillemenot	D376,731 S	12/1996	Lin
D105,812 S	8/1937	Siekert	D382,376 S	8/1997	Bescherer
D121,675 S	7/1940	Goldin	5,678,600 A	10/1997	Locke et al.
2,267,883 A	12/1941	Wood	5,722,344 A	3/1998	Rank
2,350,922 A	6/1944	Planeta	D394,468 S	5/1998	Leadbetter
D149,729 S	5/1948	Aronek	D395,840 S	7/1998	Cato
2,475,207 A	7/1949	Smith	D399,611 S	10/1998	Ericson et al.
D174,139 S	3/1955	Sadler	5,823,135 A	10/1998	Gilchrist et al.
D174,909 S	6/1955	Killegberg	5,845,605 A	12/1998	Malamphy
2,725,663 A	12/1955	Mullen	5,848,493 A	12/1998	Gasper
D192,435 S	3/1962	Goodman	D410,096 S	5/1999	Majerowski
3,090,354 A	5/1963	Merritt et al.	5,899,555 A	5/1999	Lin
D196,777 S	11/1963	Haynes	D410,592 S	6/1999	Niemiec
3,272,467 A	9/1966	Kassube	D412,226 S	7/1999	Bellehumeur
3,307,602 A	3/1967	Boster	D417,326 S	11/1999	Greene
D212,276 S	9/1968	Lodding et al.	D417,528 S	12/1999	Rizzo
D230,295 S	2/1974	Rosenwach	D421,643 S	3/2000	Mauk
3,913,527 A	10/1975	Kilham	D423,166 S	4/2000	Hornyak
3,928,936 A	12/1975	Wollen	D423,722 S	4/2000	Lang
D239,182 S	3/1976	Kilham	D429,852 S	8/2000	Hogarty
D241,149 S	8/1976	Miller et al.	D431,760 S	10/2000	Sullivan
D241,860 S	10/1976	Calamia	D433,747 S	11/2000	Frampton
D244,009 S	4/1977	Kayne	D445,525 S	7/2001	Pan
D244,098 S	4/1977	Kilham	D451,237 S	11/2001	Dolan
4,030,451 A	6/1977	Miller	D451,997 S	12/2001	Schwartz
4,102,308 A	7/1978	Kilham	D454,636 S	3/2002	Lantz
D253,706 S	12/1979	Bardeau	D460,591 S	7/2002	Skalka
D259,763 S	7/1981	Dickinson	D460,592 S	7/2002	Skalka
D260,608 S	9/1981	McKee, Jr.	D464,184 S	10/2002	Skalka
D264,813 S	6/1982	Potter	D471,096 S	3/2003	Thorne et al.
4,361,116 A	11/1982	Kilham	D471,327 S	3/2003	Kuelbs
D267,355 S	12/1982	Blasbalg	D473,739 S	4/2003	Lenger
4,395,015 A	7/1983	Reardon	6,546,894 B2	4/2003	Chrisco et al.
D272,508 S	2/1984	Conti	D476,755 S	7/2003	LoVullo et al.
D273,429 S	4/1984	Kilham	D478,475 S	8/2003	Backes et al.
4,441,458 A	4/1984	Mercil	D479,595 S	9/2003	Curtin
			D480,803 S	10/2003	Frampton
			D482,562 S	11/2003	Demers
			D482,736 S	11/2003	Manville
			D483,529 S	12/2003	Fort, II

(56)

References Cited

U.S. PATENT DOCUMENTS

6,662,747 B1	12/2003	Wydra	D615,310 S	5/2010	Cybulski
D485,208 S	1/2004	Fan	7,721,676 B2	5/2010	Bloedorn
D485,345 S	1/2004	Bucher	D618,733 S	6/2010	Kessler
D485,351 S	1/2004	Frampton	7,743,732 B2	6/2010	Webber
6,672,249 B2	1/2004	Garcia-Lucio et al.	D620,172 S	7/2010	Orozco
D488,901 S	4/2004	Skalka	D623,005 S	9/2010	Cheng
D490,745 S	6/2004	Fan	D623,806 S	9/2010	Modi et al.
D493,053 S	7/2004	Snell	D624,352 S	9/2010	Lion et al.
D495,900 S	9/2004	Mayse	7,789,040 B2	9/2010	Liethen
D501,805 S	2/2005	Opiniano	D627,457 S	11/2010	Klausing et al.
6,860,229 B1	3/2005	Craft	7,827,936 B1	11/2010	Puckett et al.
D505,755 S	5/2005	Lundstrom et al.	D629,137 S	12/2010	Chen
D506,826 S	6/2005	Frampton	D630,969 S	1/2011	Mattis
D509,325 S	9/2005	Jung et al.	D631,149 S	1/2011	Fis-Menache
D509,748 S	9/2005	Carmichael et al.	7,861,671 B2	1/2011	Carter et al.
6,945,192 B2	9/2005	Cote	7,874,264 B2	1/2011	McMullen
D513,188 S	12/2005	Bertrand	7,886,695 B2	2/2011	Held et al.
6,986,322 B2	1/2006	Lumpkin et al.	D633,659 S	3/2011	Lai
D515,916 S	2/2006	Bleuer	D636,238 S	4/2011	Elmelund
D516,946 S	3/2006	Opiniano	D636,539 S	4/2011	Montoya
D518,380 S	4/2006	Moran	D636,946 S	4/2011	Able
7,040,251 B2	5/2006	Fort, II	D637,448 S	5/2011	Cheng
D524,490 S	7/2006	Obenshain	7,946,248 B2	5/2011	Colwell et al.
D529,220 S	9/2006	Izardel	7,946,249 B2	5/2011	Colvin et al.
D538,583 S	3/2007	Schuler	7,946,734 B2	5/2011	Laporte
D540,349 S	4/2007	Waki et al.	7,958,845 B2	6/2011	Gardner
D542,659 S	5/2007	Meether et al.	D641,261 S	7/2011	Diss et al.
7,234,418 B2	6/2007	Fort et al.	D641,516 S	7/2011	Chen
D548,321 S	8/2007	Orozco	D643,442 S	8/2011	Sato et al.
7,261,055 B2	8/2007	Nock	D643,855 S	8/2011	Taniguchi et al.
D553,821 S	10/2007	Skalka	D644,052 S	8/2011	Kraemer
D561,021 S	2/2008	DuVal et al.	7,997,434 B2	8/2011	Benetti
D561,040 S	2/2008	Sequeira	8,006,946 B2	8/2011	Bonnema
D563,608 S	3/2008	Kitchen	D644,469 S	9/2011	Kraemer
D569,301 S	5/2008	Fotherby	8,011,323 B2	9/2011	Vaughn et al.
7,373,901 B2	5/2008	Baynard	D649,299 S	11/2011	Lush
D572,145 S	7/2008	Knapp et al.	D649,302 S	11/2011	Hickok
D572,866 S	7/2008	Bloedorn	D649,471 S	11/2011	Guglielmo et al.
D573,769 S	7/2008	Skalka	8,051,803 B2	11/2011	Gauker et al.
D575,118 S	8/2008	Bignon	D650,514 S	12/2011	Lin et al.
7,409,922 B1	8/2008	Baynard et al.	D650,690 S	12/2011	Guglielmo et al.
D584,387 S	1/2009	Lee et al.	D652,059 S	1/2012	Sato et al.
D585,625 S	1/2009	Gray	D652,343 S	1/2012	Hunter et al.
D586,228 S	2/2009	McWillis	D652,742 S	1/2012	Diss
7,484,475 B2	2/2009	Milliner	D652,972 S	1/2012	Lee
D587,941 S	3/2009	Singh	D653,011 S	1/2012	Myers
D588,756 S	3/2009	Colvin et al.	D653,124 S	1/2012	Diss
7,503,282 B1	3/2009	Lush	D653,562 S	2/2012	Ziegler et al.
7,506,611 B1	3/2009	Lush	D653,563 S	2/2012	Ziegler et al.
7,516,716 B2	4/2009	Puckett et al.	D656,279 S	3/2012	Tu
D591,589 S	5/2009	Myers et al.	D656,690 S	3/2012	Tu
D592,046 S	5/2009	Myers et al.	D657,399 S	4/2012	Nemoto
D593,649 S	6/2009	Marvell	D658,684 S	5/2012	Roman
D595,525 S	7/2009	Dimond	D658,930 S	5/2012	Munari
D596,033 S	7/2009	Zach et al.	D661,434 S	6/2012	Fields et al.
D597,197 S	7/2009	Parker et al.	D662,652 S	6/2012	Browder
D598,238 S	8/2009	Durdon et al.	D664,437 S	7/2012	Barel
D599,159 S	9/2009	Stein	8,230,809 B2	7/2012	Cote
D599,899 S	9/2009	Thompson	D665,627 S	8/2012	De Winter
D600,861 S	9/2009	Sin	8,272,607 B2	9/2012	Bonnema
D601,309 S	9/2009	Babal	D670,042 S	10/2012	Anderson
7,600,487 B2	10/2009	Stone et al.	8,276,541 B2	10/2012	LoRocco et al.
D604,436 S	11/2009	Poon	D670,836 S	11/2012	Hisey et al.
D606,369 S	12/2009	Ruzycky	D671,276 S	11/2012	Krueger
D606,447 S	12/2009	West et al.	D671,692 S	11/2012	Carter
D606,708 S	12/2009	McMullen	8,316,800 B2	11/2012	Puckett et al.
D606,709 S	12/2009	McMullen	D673,722 S	1/2013	Cartwright
D606,878 S	12/2009	Lindfors	D673,727 S	1/2013	Cartwright
D607,612 S	1/2010	Yang	8,360,005 B1	1/2013	Allen
D609,329 S	2/2010	Parker et al.	D678,628 S	3/2013	Krueger
D609,864 S	2/2010	Tsai	D679,453 S	4/2013	Krueger et al.
7,654,225 B2	2/2010	Madsen et al.	D682,481 S	5/2013	Krueger
D612,549 S	3/2010	Garcia-Lucio et al.	D682,482 S	5/2013	Nelson
7,685,969 B2	3/2010	Stone et al.	D683,909 S	6/2013	Muhr et al.
D614,825 S	4/2010	Biegel	D685,603 S	7/2013	Mishan
			D689,730 S	9/2013	Goto et al.
			D692,191 S	10/2013	Stephens et al.
			D698,098 S	1/2014	Muhr et al.
			D704,385 S	5/2014	Hoofman

(56)

References Cited

U.S. PATENT DOCUMENTS

D709,317 S 7/2014 Cheng
 D710,686 S 8/2014 Gowens
 D711,679 S 8/2014 Day et al.
 D713,101 S * 9/2014 Bruno et al. D30/127
 D715,091 S 10/2014 Thun et al.
 D715,092 S 10/2014 Thun et al.
 D715,588 S 10/2014 Thun et al.
 D717,200 S 11/2014 Thuma et al.
 D717,201 S 11/2014 Thuma et al.
 D720,506 S 12/2014 Bruno et al.
 8,899,179 B1 12/2014 Carter et al.
 D723,226 S 2/2015 Krueger
 2003/0150390 A1 8/2003 Rich et al.
 2004/0231606 A1 11/2004 Nock
 2005/0005865 A1 1/2005 Rich et al.
 2005/0028743 A1 2/2005 Wechsler
 2005/0120972 A1 6/2005 Aboujaoude et al.
 2005/0178338 A1 8/2005 Smith
 2005/0263085 A1 12/2005 Rich
 2005/0268862 A1 12/2005 Morrison
 2006/0037546 A1 2/2006 Jung et al.
 2006/0124067 A1 6/2006 Taylor
 2006/0249096 A1 11/2006 Gick
 2006/0254527 A1 11/2006 Nock
 2006/0266295 A1 11/2006 McDarren
 2006/0288532 A1 12/2006 Kim
 2007/0034160 A1 2/2007 Nock
 2007/0163506 A1 7/2007 Bloedorn
 2007/0227453 A1 10/2007 Puckett et al.
 2007/0227454 A1 10/2007 Fahey
 2008/0190881 A1 8/2008 Gardner
 2008/0251025 A1 10/2008 Guay et al.
 2009/0145875 A1 6/2009 Gardner
 2009/0223456 A1 9/2009 Hunter et al.
 2009/0314221 A1 12/2009 Wang
 2010/0089330 A1 4/2010 McMullen
 2010/0300363 A1 12/2010 Nangia
 2011/0067635 A1 3/2011 Puckett et al.
 2011/0083609 A1 4/2011 Cote
 2011/0088626 A1 4/2011 Hepp et al.
 2011/0094449 A1 4/2011 George
 2011/0100299 A1 5/2011 Colwell
 2011/0168101 A1 7/2011 Guay et al.
 2011/0214616 A1 9/2011 Levin et al.
 2011/0239949 A1 10/2011 Abbott
 2012/0055410 A1 3/2012 Cote
 2012/0060762 A1 3/2012 Cowger et al.
 2012/0167827 A1 7/2012 Rochon
 2012/0234249 A1 9/2012 Gaze
 2012/0285386 A1 11/2012 Miller et al.
 2014/0060438 A1 3/2014 Cote
 2015/0000603 A1 1/2015 Donegan et al.
 2015/0000604 A1 1/2015 Donegan et al.
 2015/0122186 A1 * 5/2015 Donegan et al. 119/51.5

OTHER PUBLICATIONS

U.S. Appl. No. 29/485,999, filed Mar. 25, 2014, Krueger.
 U.S. Appl. No. 29/480,509, filed Jan. 27, 2014, Krueger.
 U.S. Appl. No. 14/531,925, filed Nov. 3, 2014, Donegan et al.
 U.S. Appl. No. 14/531,755, filed Nov. 3, 2014, Donegan et al.
 Non-Final Office Action, Design U.S. Appl. No. 29/486,002; mailed Dec. 26, 2014, 22 pages.
 Non-Final Office Action, Design U.S. Appl. No. 29/485,999, mailed Dec. 17, 2014, 11 pages.
 Notice of Allowance, U.S. Appl. No. 29/479,899; mailed Oct. 1, 2014, 6 pages.

Non-Final Office Action, U.S. Appl. No. 13/855,565, mailed Sep. 27, 2013, 32 pages.
 Response to Non-Final Office Action, U.S. Appl. No. 13/855,565, filed Jan. 27, 2014, 6 pages.
 Notice of Allowance, U.S. Appl. No. 13/855,565; mailed May 13, 2014, 10 pages.
 Non-Final Office Action, U.S. Appl. No. 13/855,523, mailed Sep. 30, 2013, 29 pages.
 Response to Non-Final Office Action, U.S. Appl. No. 13/855,523, filed Jan. 27, 2014, 6 pages.
 Notice of Allowance, U.S. Appl. No. 13/855,523; mailed May 14, 2014, 10 pages.
 Notice of Allowance, U.S. Appl. No. 29/437,624, mailed Sep. 18, 2013, 23 pages.
 Ex Parte Quayle Action, U.S. Appl. No. 29/437,619, mailed Nov. 27, 2013, 22 pages.
 Response to Ex Parte Quayle Action, U.S. Appl. No. 29/437,619, filed Jan. 27, 2014, 15 pages.
 Notice of Allowance, U.S. Appl. No. 29/437,619, mailed Feb. 14, 2014, 19 pages.
 Restriction Requirement, Design U.S. Appl. No. 29/438,291, mailed Apr. 1, 2014, 24 pages.
 Response to Restriction Requirement, Design U.S. Appl. No. 29/438,291, filed May 15, 2014, 2 pages.
 Ex Parte Quayle Office Action, Design U.S. Appl. No. 29/438,291, mailed Aug. 1, 2014, 17 pages.
 Response to Ex Parte Quayle Office Action, Design U.S. Appl. No. 29/438,291, filed Oct. 1, 2014, 14 pages.
 Notice of Allowance, U.S. Appl. No. 29/438,291; mailed Oct. 9, 2014, 11 pages.
 Restriction Requirement, Design U.S. Appl. No. 29/438,289, mailed Dec. 20, 2013, 24 pages.
 Response to Restriction Requirement, Design U.S. Appl. No. 29/438,289, filed Jan. 21, 2014, 2 pages.
 Ex Parte Quayle Action, Design U.S. Appl. No. 29/438,289, mailed Mar. 6, 2014, 11 pages.
 Response to Ex Parte Quayle Action, Design U.S. Appl. No. 29/438,289, filed May 5, 2014, 12 pages.
 Notice of Allowance, U.S. Appl. No. 29/438,289, mailed May 23, 2014, 24 pages.
 Non-Final Office Action, U.S. Appl. No. 13/420,086, mailed Oct. 7, 2013, 23 pages.
 Response to Non-Final Office Action, U.S. Appl. No. 13/420,086, filed Apr. 7, 2014, 16 pages.
 Notice of Allowance, U.S. Appl. No. 13/420,086, mailed Jul. 23, 2014, 23 pages.
 Non-Final Office Action, U.S. Appl. No. 13/420,063, mailed Apr. 10, 2014, 10 pages.
 Response to Non-Final Office Action, U.S. Appl. No. 13/420,063, filed Sep. 10, 2014, 9 pages.
 Final Office Action, U.S. Appl. No. 13/420,063, mailed Nov. 4, 2014, 18 pages.
 Non-Final Office Action, U.S. Appl. No. 13/107,841, mailed Aug. 19, 2013, 20 pages.
 Response to Non-Final Office Action, U.S. Appl. No. 13/107,841, filed Jan. 22, 2014, 12 pages.
 Notice of Allowance, U.S. Appl. No. 13/107,841; mailed Jun. 12, 2014, 18 pages.
 Restriction Requirement, Design U.S. Appl. No. 29/480,509, mailed Sep. 30, 2014, 5 pages.
 Response to Restriction Requirement, Design U.S. Appl. No. 29/480,509, filed Dec. 1, 2014, 3 pages.
 Notice of Allowance, Design U.S. Appl. No. 29/480,509, received Jan. 9, 2015, 27 pages.
 Restriction Requirement, Design U.S. Appl. No. 14/486,795, mailed Jan. 20, 2015, 5 pages.

* cited by examiner

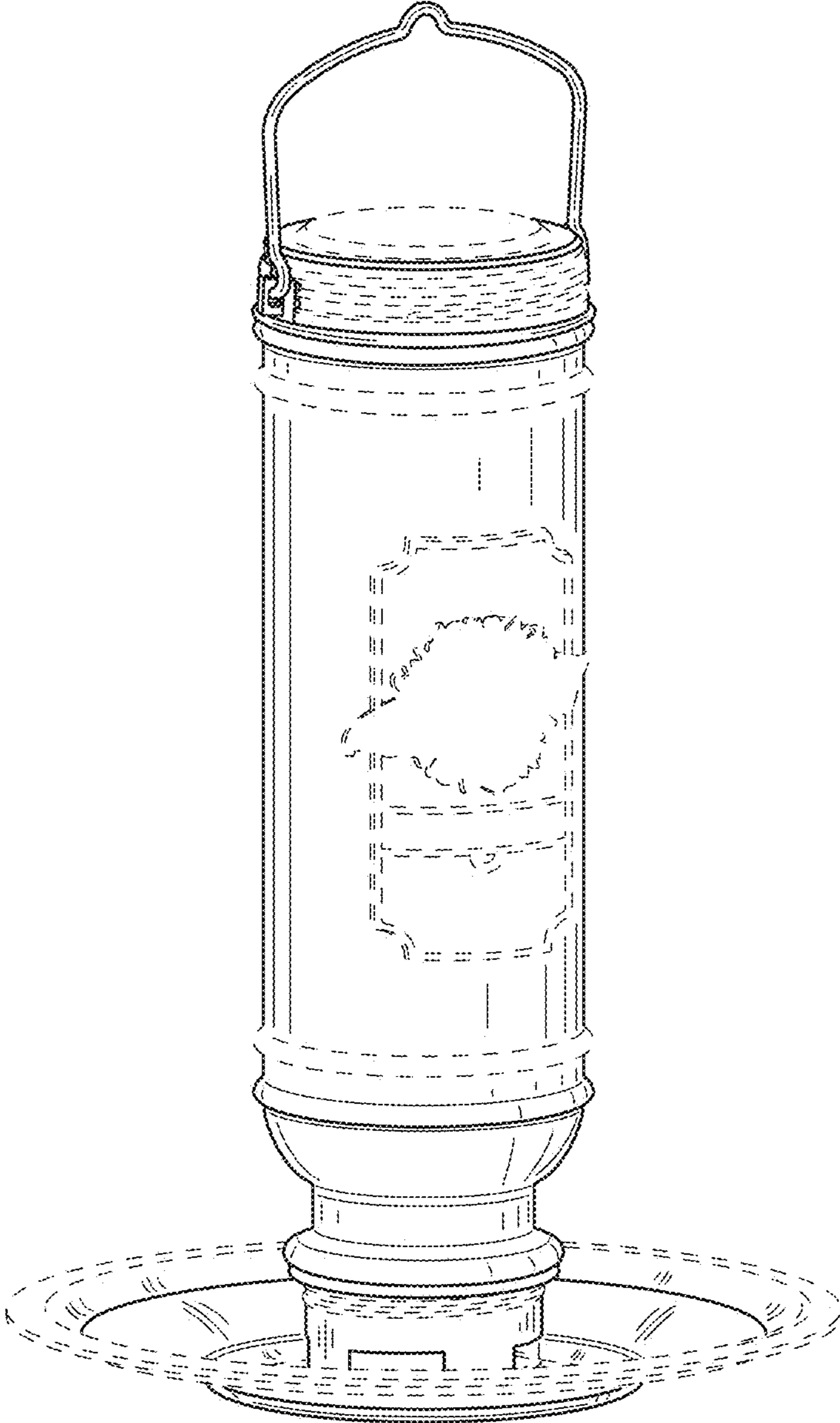


FIG. 1

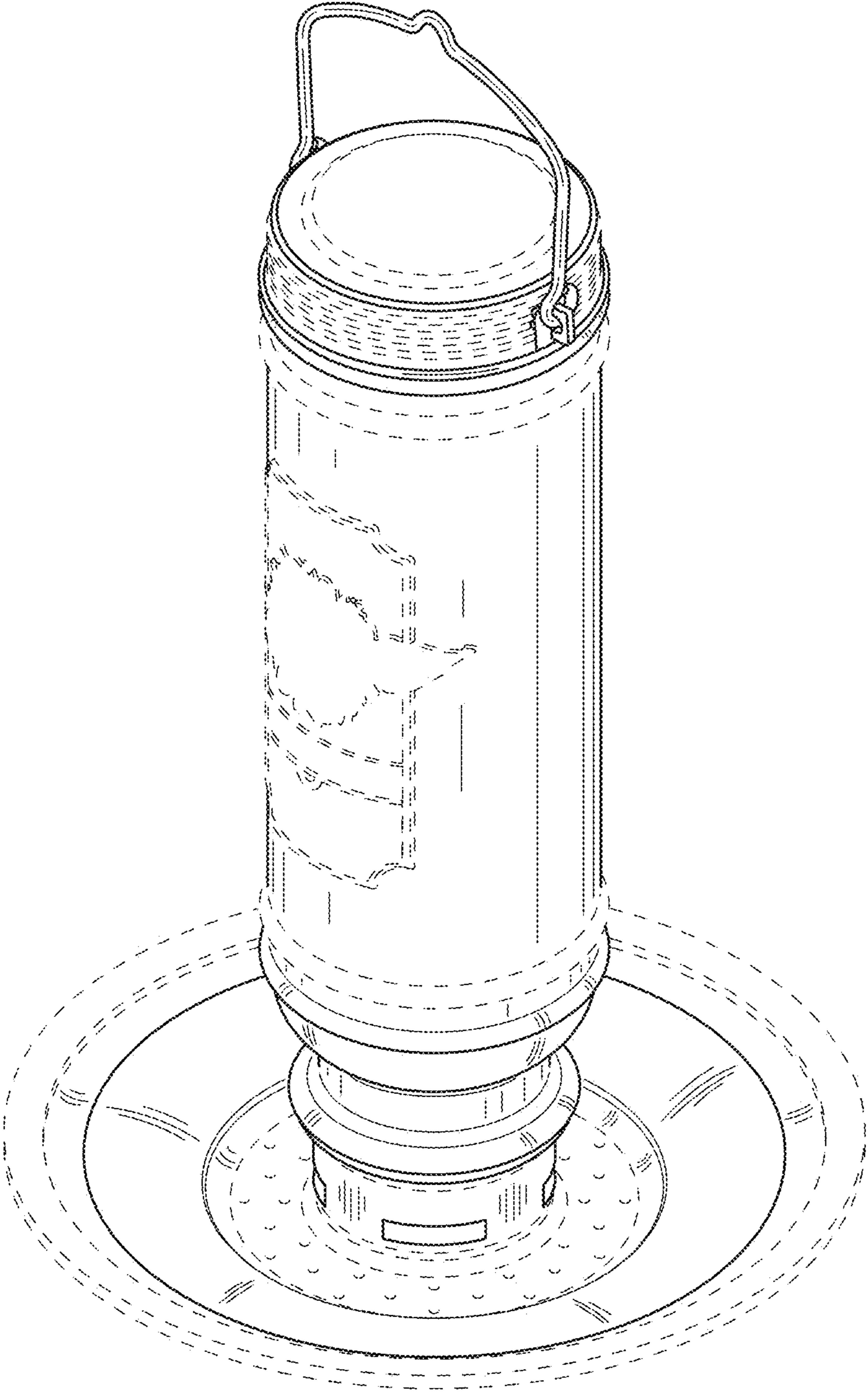


FIG.2

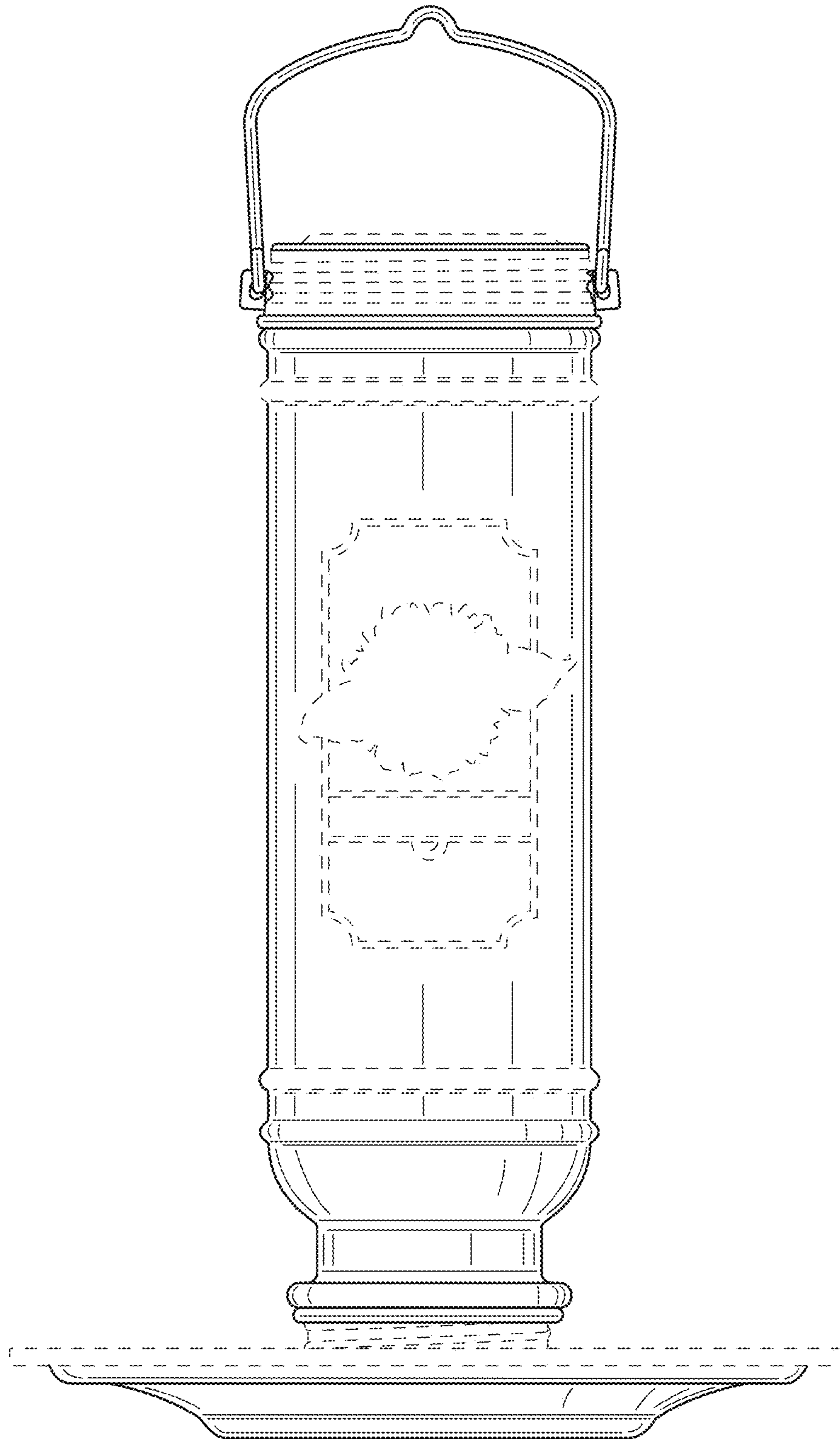


FIG. 3

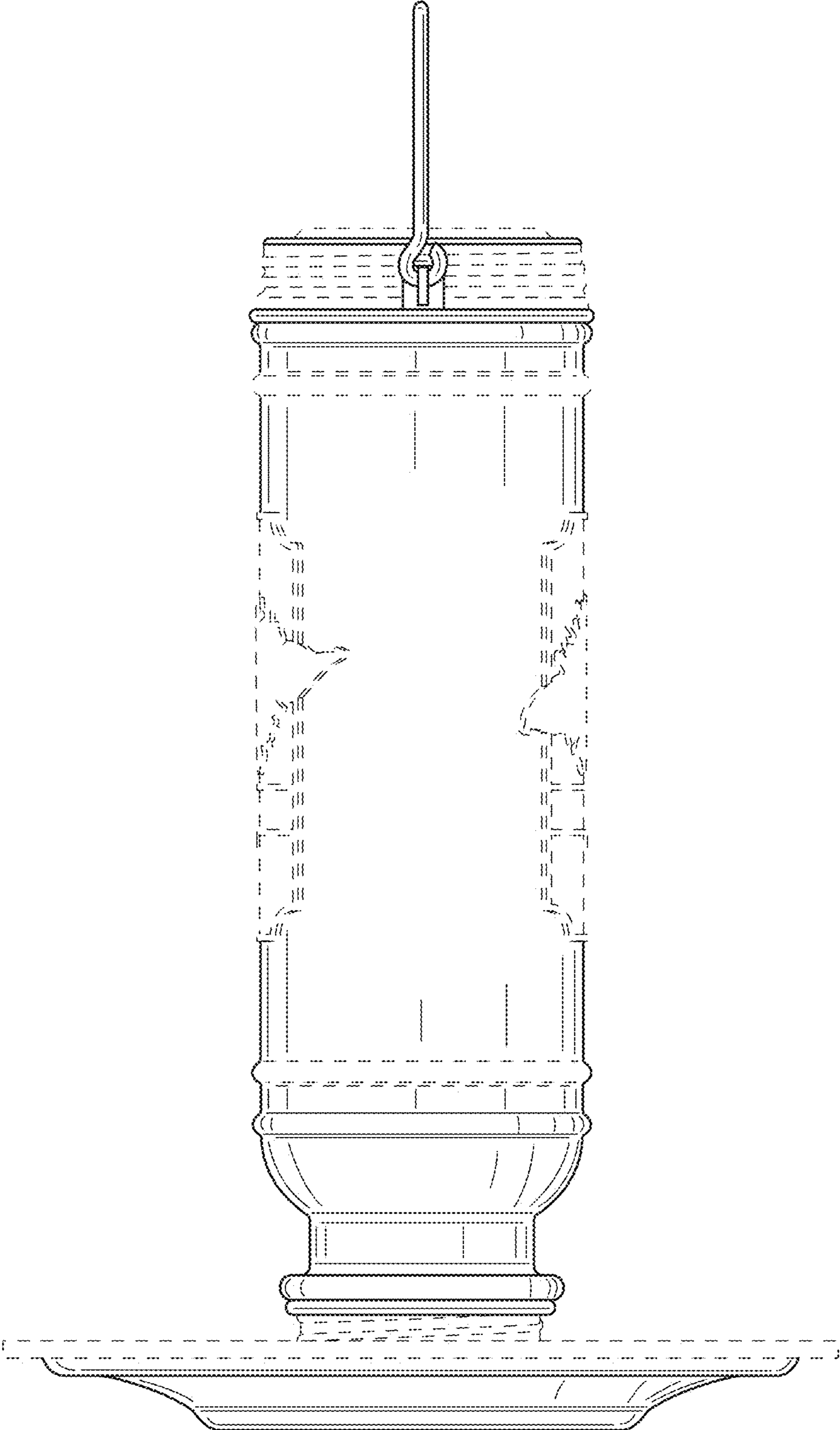


FIG.4

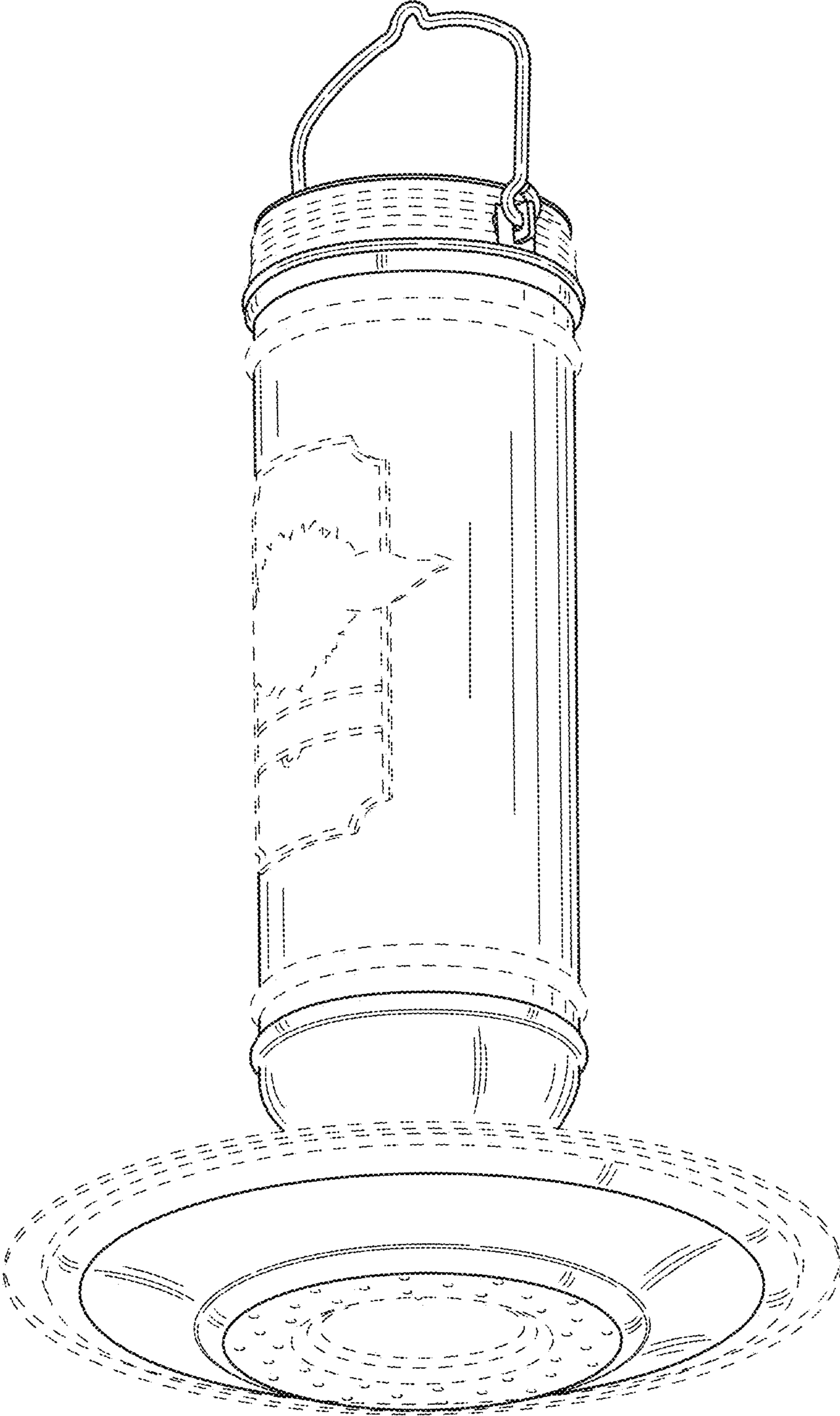


FIG.5

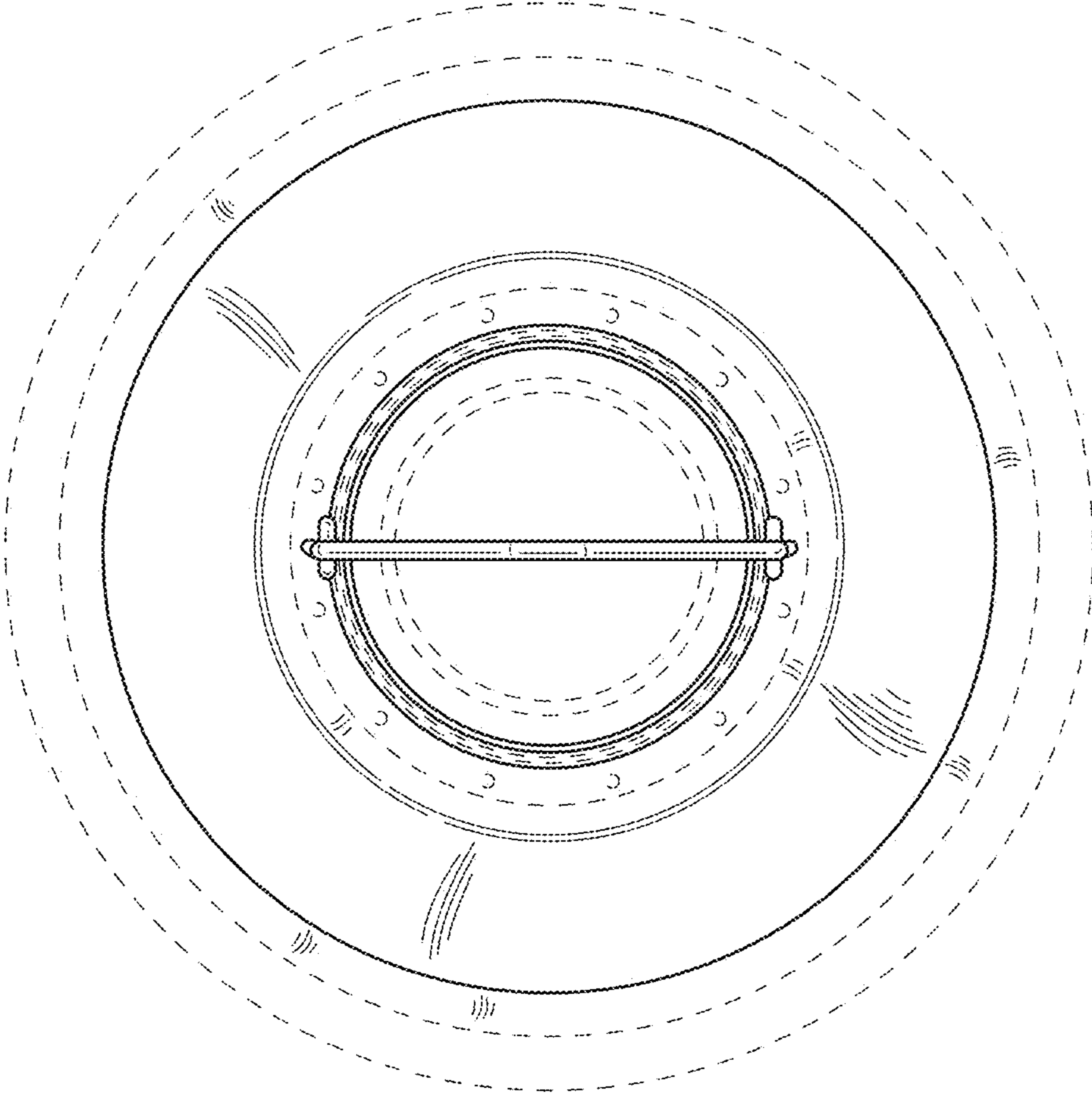


FIG.6

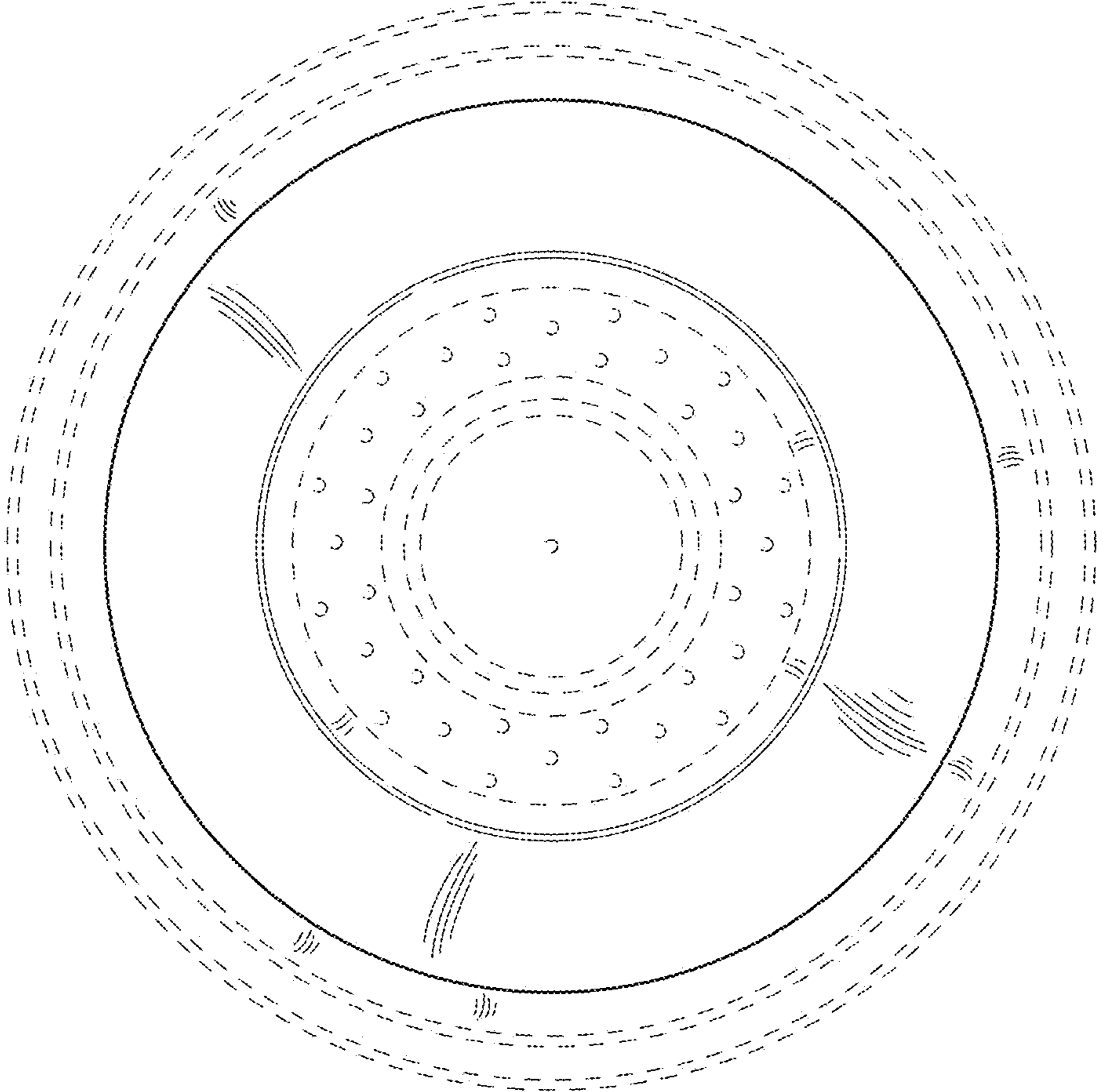


FIG.7