



US00D744171S

(12) **United States Design Patent**
Rose et al.

(10) **Patent No.:** **US D744,171 S**

(45) **Date of Patent:** **** Nov. 24, 2015**

(54) **HEAD HARNESS FOR AN EARMUFF**

(56) **References Cited**

(71) Applicants: **Eric P. Rose**, Tarzana, CA (US);
Andreas Mutze, Walddorfhäslach (DE);
Raffaele Mazzei, San Diego, CA (US)

U.S. PATENT DOCUMENTS

(72) Inventors: **Eric P. Rose**, Tarzana, CA (US);
Andreas Mutze, Walddorfhäslach (DE);
Raffaele Mazzei, San Diego, CA (US)

3,085,253	A *	4/1963	Ulrich et al.	2/209
3,104,398	A *	9/1963	Palmaer	2/209
3,681,540	A *	8/1972	Thomson	381/378
D254,616	S *	4/1980	Tabata	D14/205
D298,670	S *	11/1988	Palmaer	D29/112
D403,126	S *	12/1998	Scanlon et al.	D29/112
D403,128	S *	12/1998	Scanlon et al.	D29/122
5,965,850	A *	10/1999	Fraser	181/129
D434,191	S *	11/2000	Emilsson	D29/112
D445,240	S *	7/2001	Persson	D2/866
6,449,806	B1 *	9/2002	Engelhard et al.	24/3.1
D463,857	S *	10/2002	Dix et al.	D24/106
D464,469	S *	10/2002	Dix et al.	D29/112
D499,216	S *	11/2004	Haglund	D29/122
D509,323	S *	9/2005	Emilsson	D29/112
D541,483	S *	4/2007	Birgersson et al.	D29/112
D581,394	S *	11/2008	Lee	D14/205
D616,865	S *	6/2010	Marchand et al.	D14/205
D632,667	S *	2/2011	Martin	D14/205
D651,764	S *	1/2012	Gresko et al.	D29/112
D696,226	S *	12/2013	Brunner et al.	D14/205

(73) Assignee: **Moldex-Metric, Inc.**, Culver City, CA (US)

(**) Term: **14 Years**

(21) Appl. No.: **29/463,253**

(22) Filed: **Sep. 19, 2013**

(51) **LOC (10) Cl.** **29-02**

(52) **U.S. Cl.**
USPC **D29/112**

(58) **Field of Classification Search**
USPC D29/100, 102, 105, 106, 108, 112, 122;
2/455, 410, 417, 423, 425, 424, 9, 171,
2/208, 209, 918; D14/205, 223, 249;
181/129, 130, 135; 379/430, 431;
381/380, 381; 455/90.3, 575.1
CPC A42B 3/16; A42B 3/163; A42B 3/166;
A61F 11/06; A61F 11/08; A61F 11/10;
A61F 11/12; A61F 11/14; A61F 2011/085;
H04R 1/10; H04R 1/1008; H04R 1/1016;
H04R 1/105; H04R 1/1058; H04R 1/1066;
H04R 1/1075; H04R 1/1083; H04R 5/0335;
H04R 25/652; H04R 25/654; H04R 25/656;
A63B 71/10

* cited by examiner

Primary Examiner — Elizabeth J Oswecki

(74) *Attorney, Agent, or Firm* — Charles H. Schwartz

(57) **CLAIM**

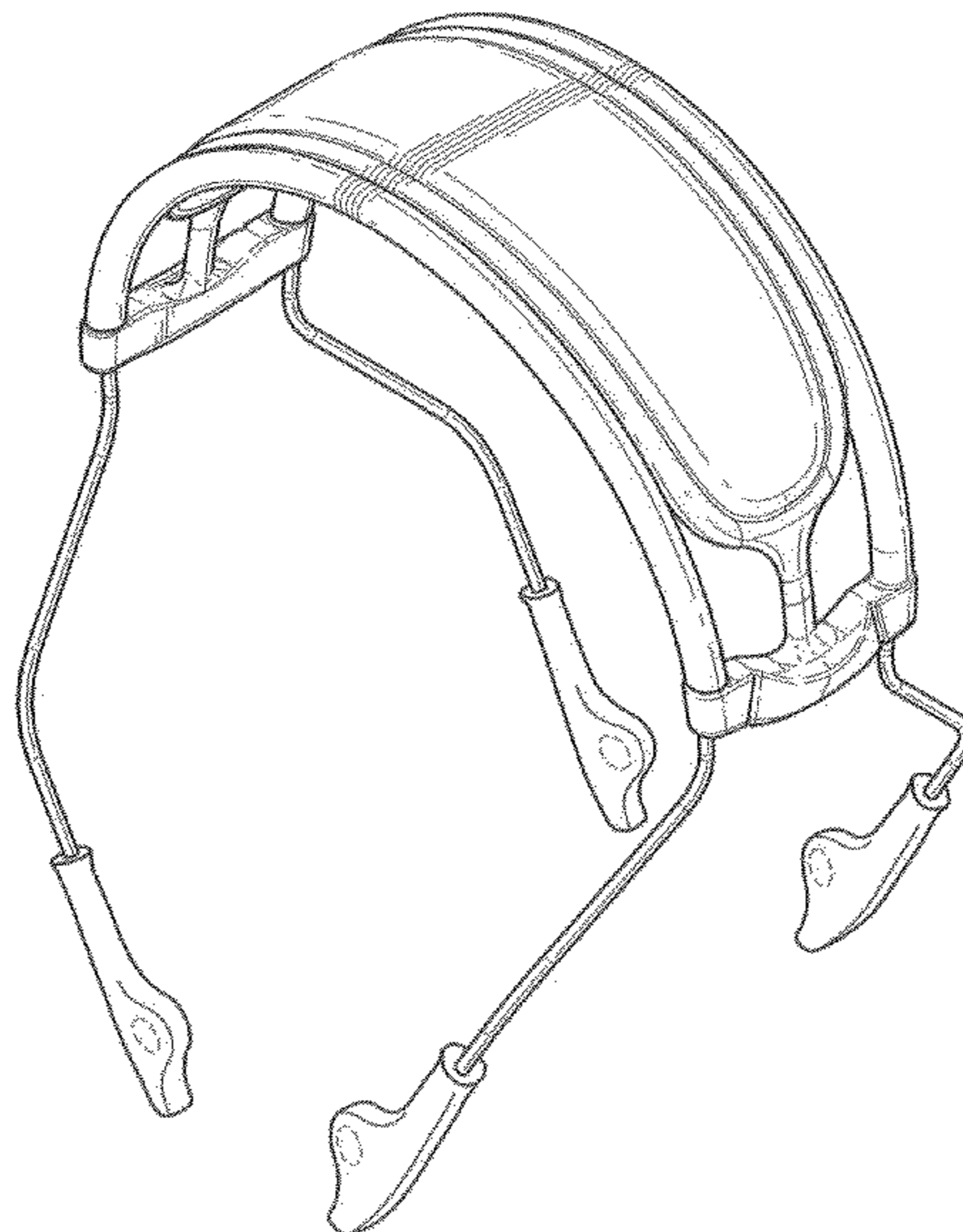
The ornamental design for a head harness for an earmuff, as shown and described.

DESCRIPTION

FIG. 1 is a front perspective view of a head harness for an earmuff showing my new design, FIG. 2 is a side view thereof, the opposite side being identical; FIG. 3 is a front view thereof, the back view being identical; FIG. 4 is a bottom view thereof; and, FIG. 5 is a top view thereof. The dotted line circles shown in FIG. 1 and FIG. 3 are for illustrative environmental purposes only and forms no part of the claimed design.

See application file for complete search history.

1 Claim, 5 Drawing Sheets



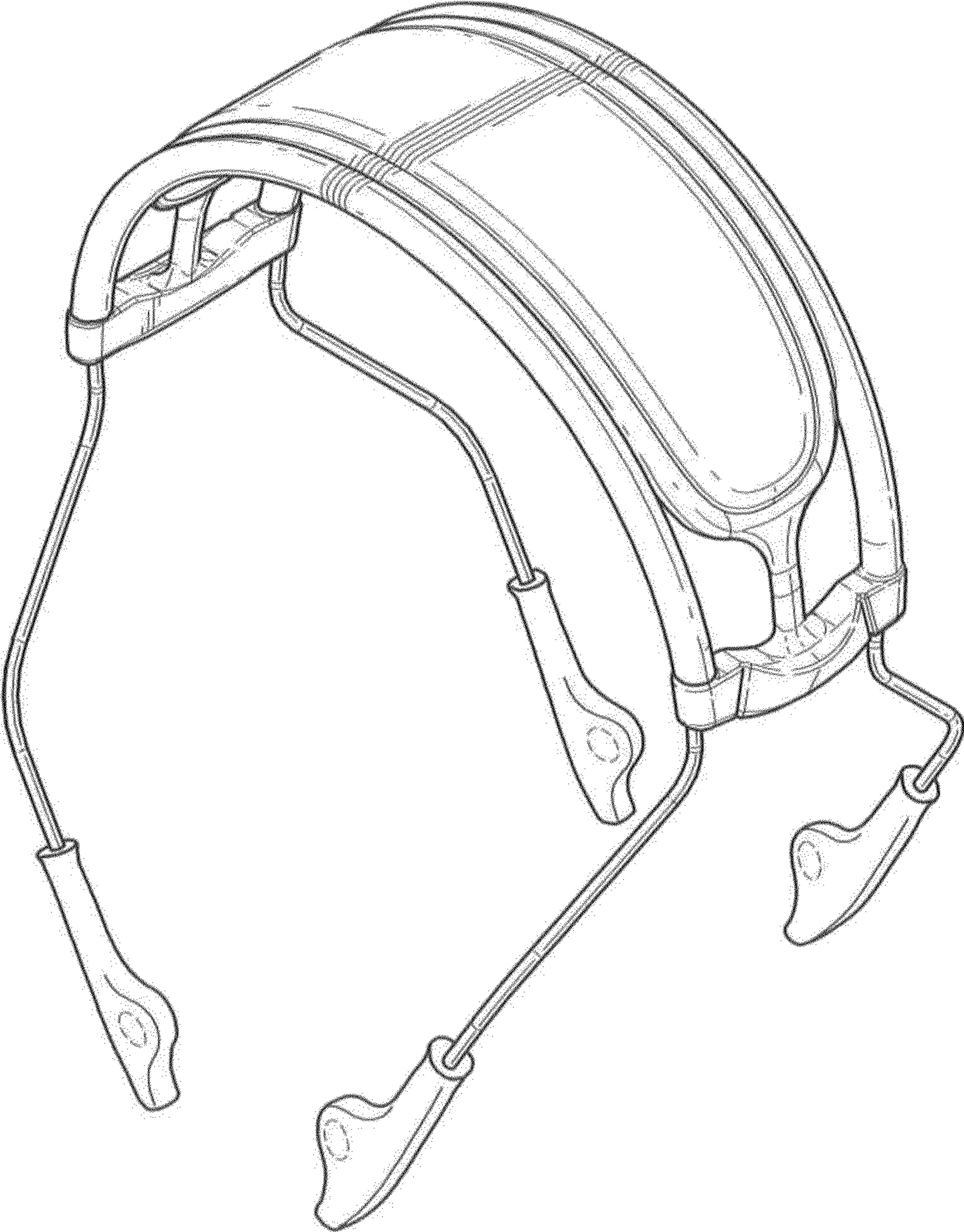


FIG. 1

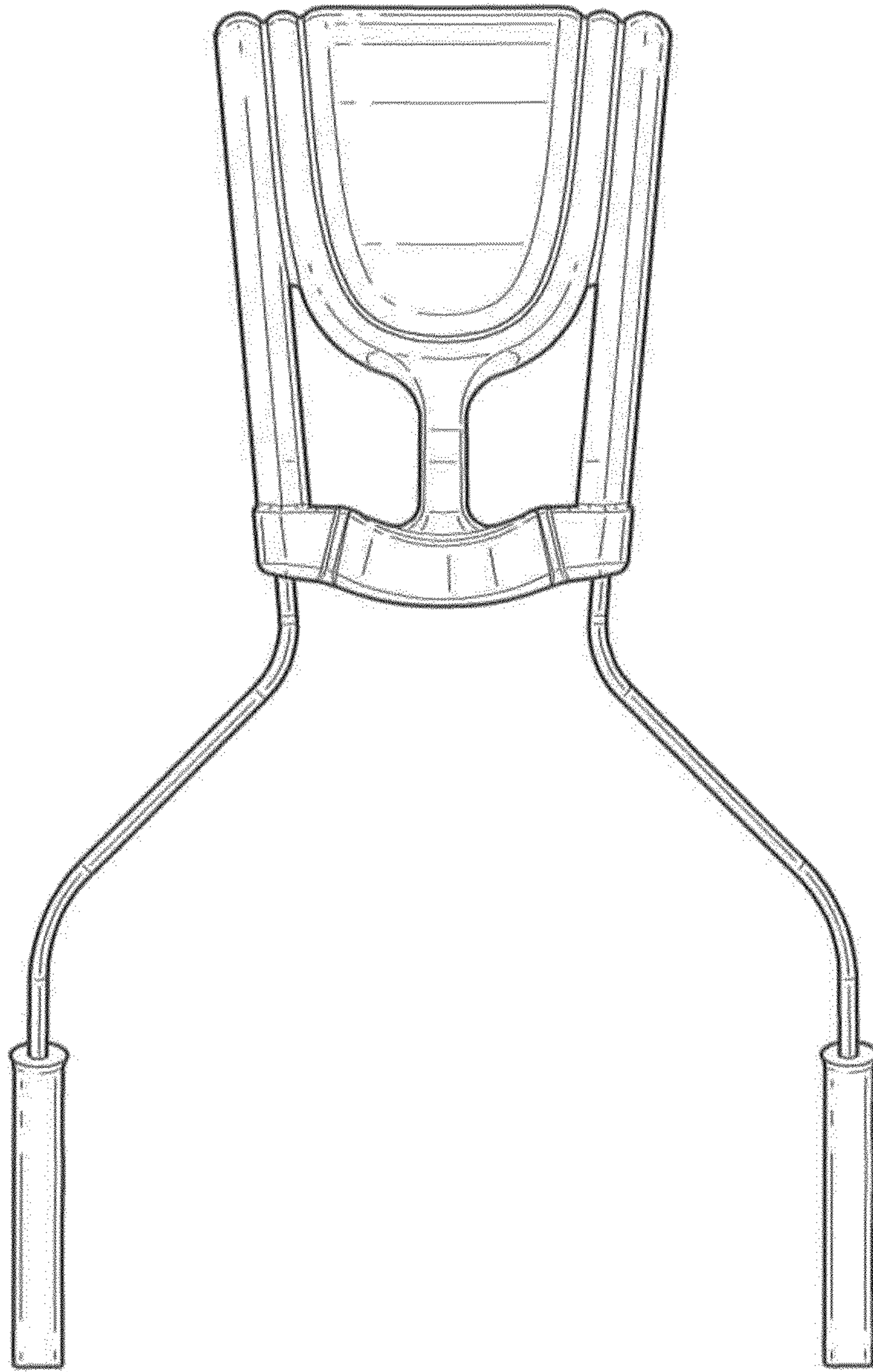


FIG. 2

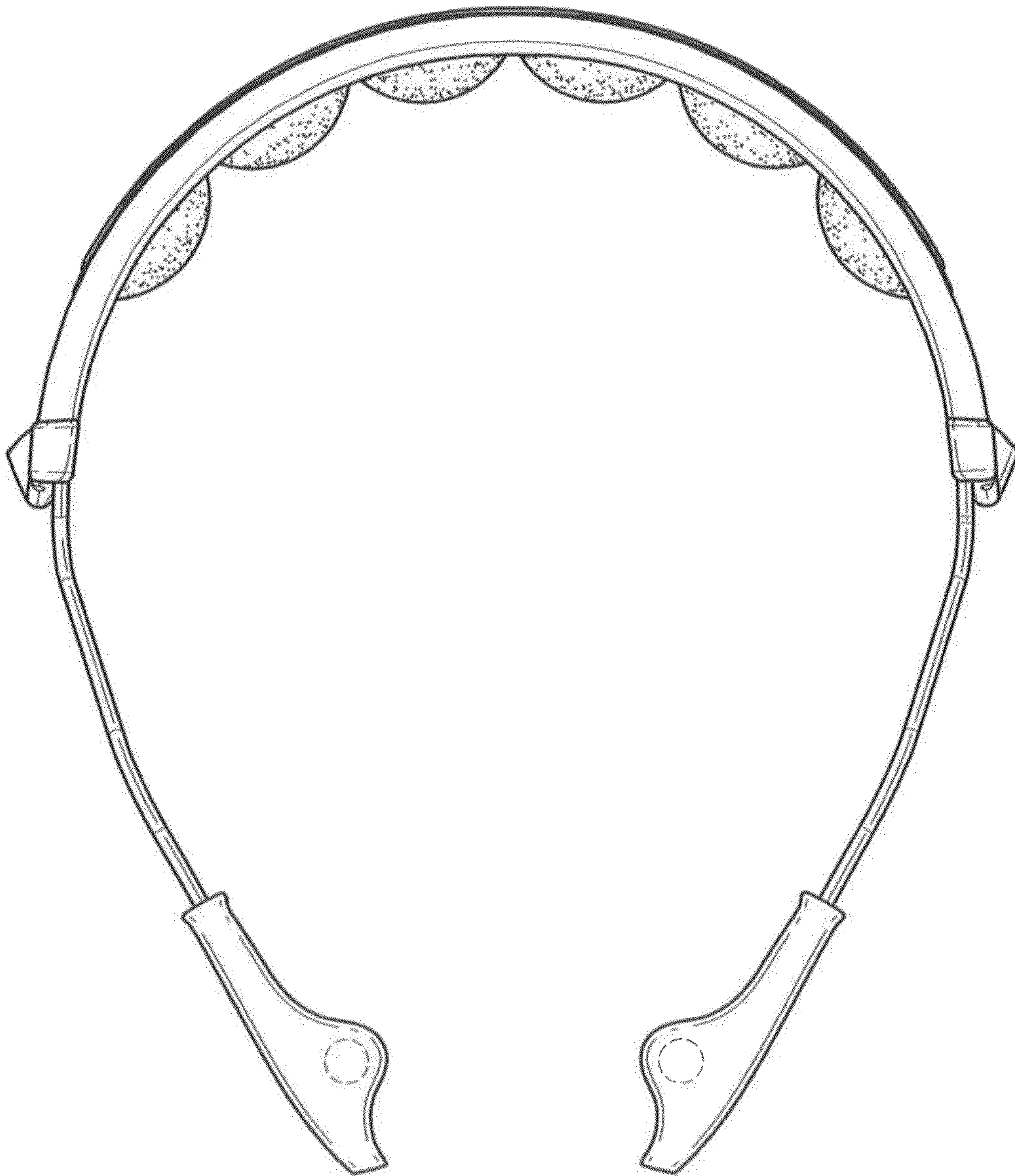


FIG. 3

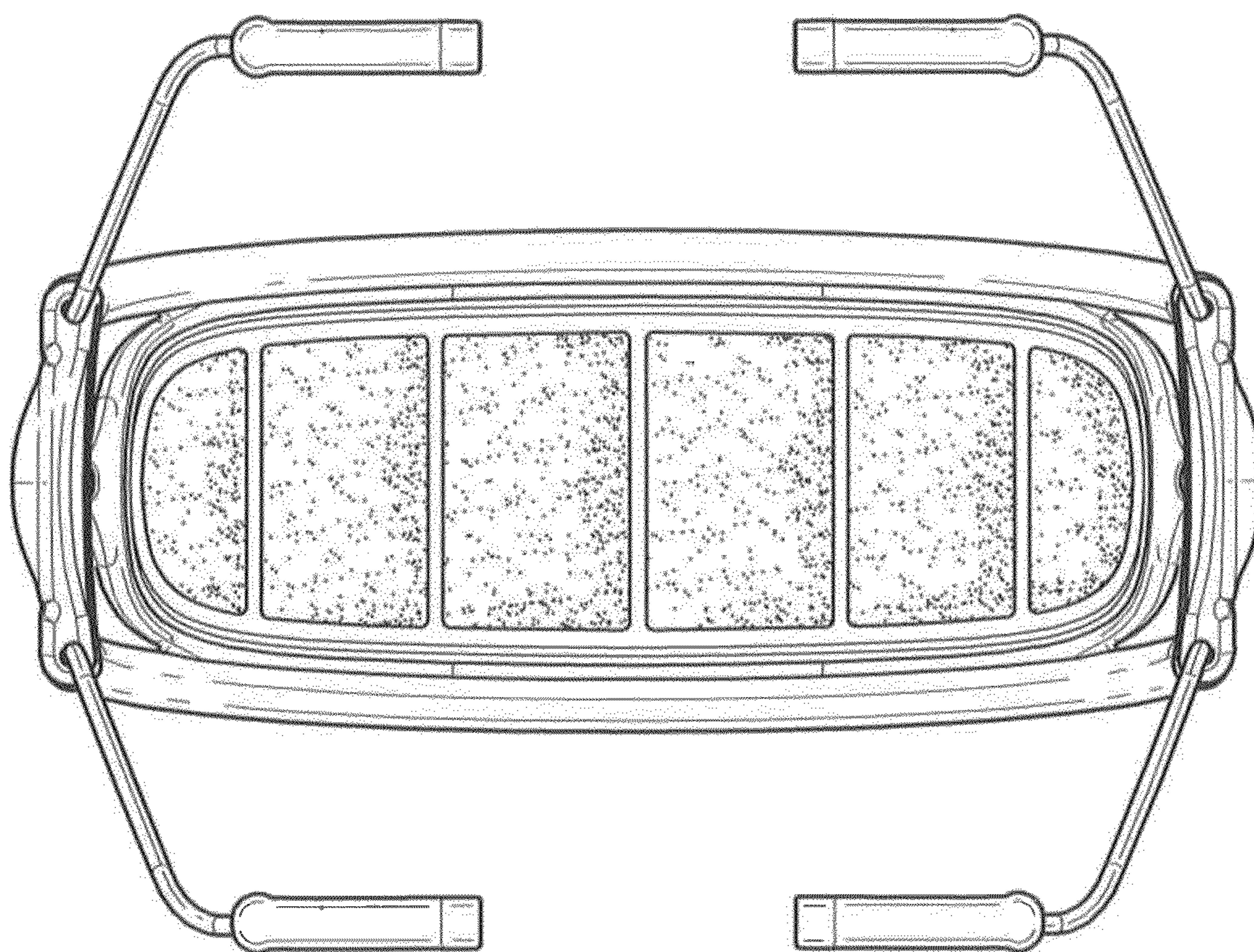


FIG. 4

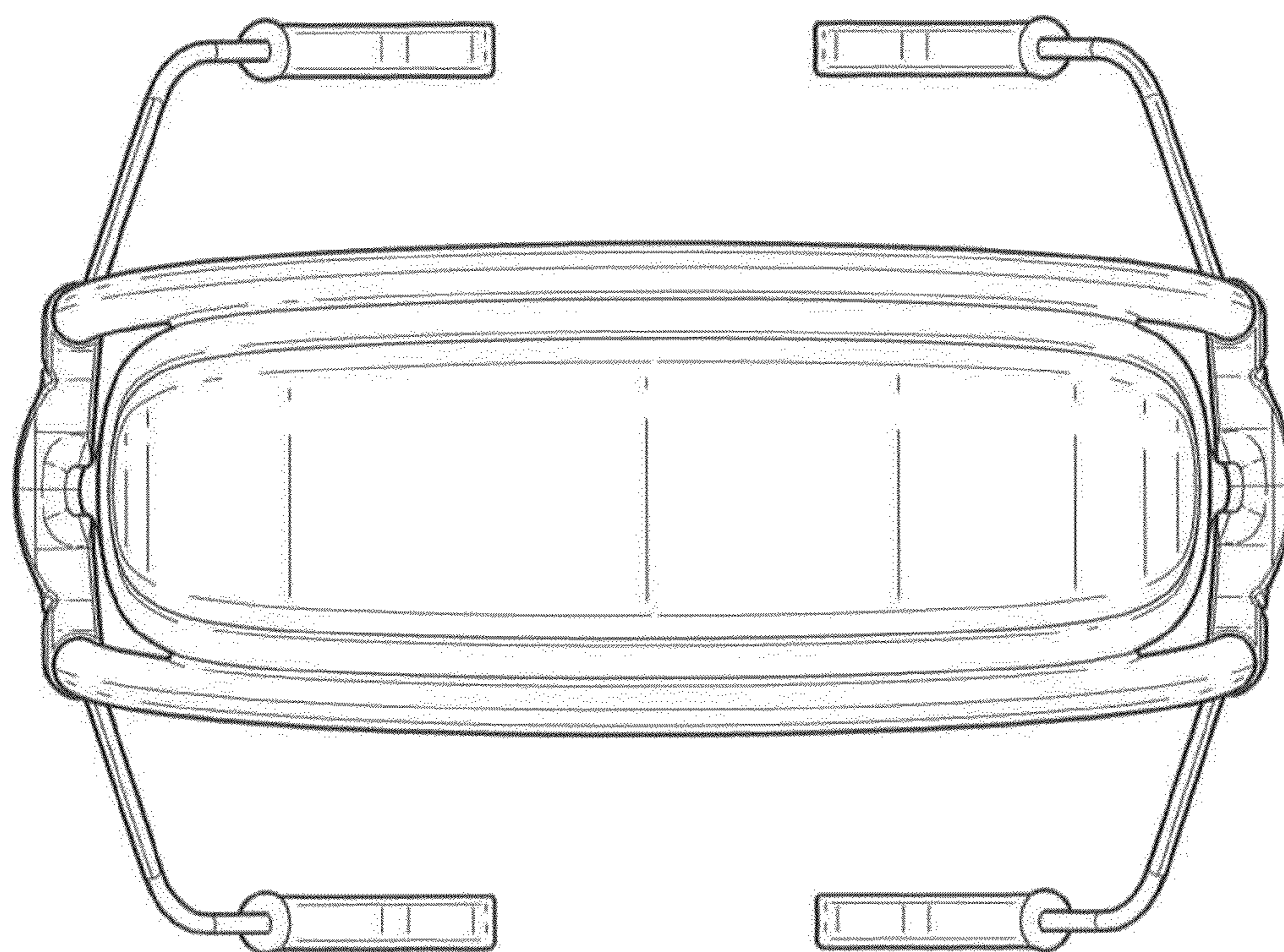


FIG. 5