



US00D744168S

(12) **United States Design Patent**  
**Best et al.**

(10) **Patent No.:** **US D744,168 S**  
(45) **Date of Patent:** **\*\* Nov. 24, 2015**

- (54) **SOFT CHEST PROTECTOR**
- (75) Inventors: **Bill Best**, Orono, MN (US); **Bastien Jourde**, Montreal (CA)
- (73) Assignee: **Shock Doctor, Inc.**, Minnetonka, MN (US)

4,501,023	A	2/1985	Bilberry
4,516,273	A	5/1985	Gregory et al.
4,590,622	A	5/1986	Wolfe et al.
4,610,035	A *	9/1986	Mattila ..... 2/462
4,694,505	A	9/1987	Flosi et al.
D296,595	S	7/1988	Flosi et al.
D300,376	S	3/1989	Tellini

(Continued)

(\*\*) Term: **14 Years**

**FOREIGN PATENT DOCUMENTS**

(21) Appl. No.: **29/424,223**

WO	WO2008050303	A2	5/2008
WO	WO2009109941	A1	9/2009
WO	WO2011034942	A1	3/2011

(22) Filed: **Jun. 8, 2012**

**OTHER PUBLICATIONS**

**Related U.S. Application Data**

(60) Division of application No. 29/398,483, filed on Aug. 1, 2011, now Pat. No. Des. 663,072, which is a continuation of application No. 29/396,572, filed on Jul. 1, 2011, now Pat. No. Des. 663,484.

International Search Report and Written Opinion issued in PCT/US2010/048959, mailed Nov. 15, 2010, 13 pages.

(Continued)

(51) **LOC (10) Cl.** ..... **29-03**

*Primary Examiner* — Randall Gholson

(52) **U.S. Cl.**

(74) *Attorney, Agent, or Firm* — Faegre Baker Daniels LLP

USPC ..... **D29/101.3**

(58) **Field of Classification Search**

(57) **CLAIM**

USPC ..... D29/10, 11, 99, 100, 101.2, 101.3; 2/2, 2/2.5, 27, 44, 45, 69, 92, 102, 108, 268, 2/326, 410, 411, 412, 413, 414, 455, 456, 2/461, 462, 463, 464, 465, 468, 94; 428/113, 911; 89/36.01, 36.02, 36.05; D24/64; 280/290, 808; 350/97, 98

The ornamental design for a soft chest protector, as shown and described.

CPC ..... A41D 1/00

See application file for complete search history.

**DESCRIPTION**

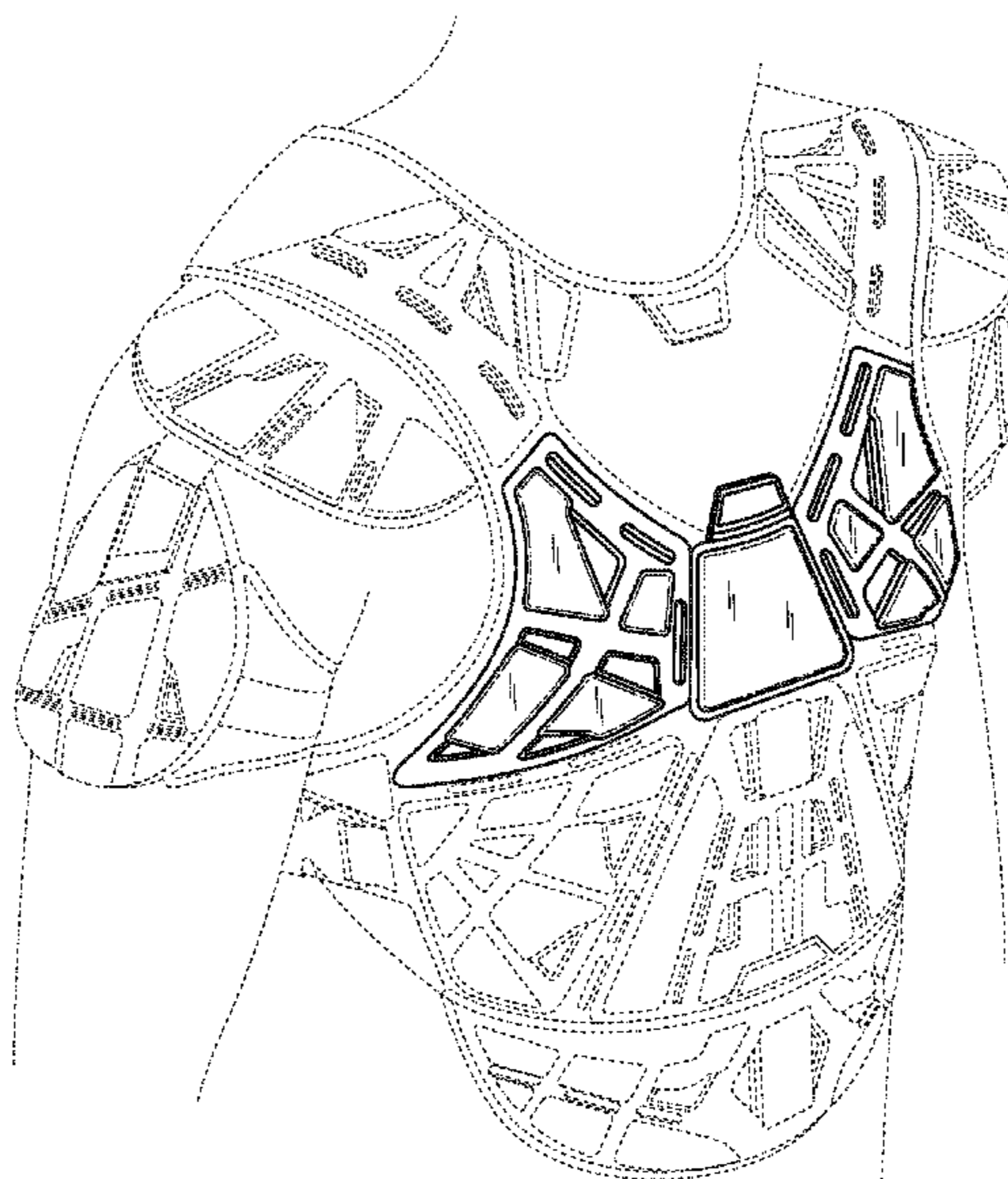
(56) **References Cited**

FIG. 1 is a perspective view of a soft chest protector.  
FIG. 2 is a front view of a soft chest protector.  
FIG. 3 is a back view of a soft chest protector.  
FIG. 4 is a left side over the shoulder perspective view of a soft chest protector, the right side view being a mirror image thereof; and,  
FIG. 5 is a top view of a soft chest protector.  
The broken lines depict portions of the soft chest protector that form no part of the claimed design.

**U.S. PATENT DOCUMENTS**

2,163,463	A	6/1939	Kennedy
3,900,896	A	8/1975	Ackerman
4,338,685	A	7/1982	LaPorta, Jr.
D277,236	S	1/1985	Gregory

**1 Claim, 5 Drawing Sheets**



(56)

References Cited

U.S. PATENT DOCUMENTS

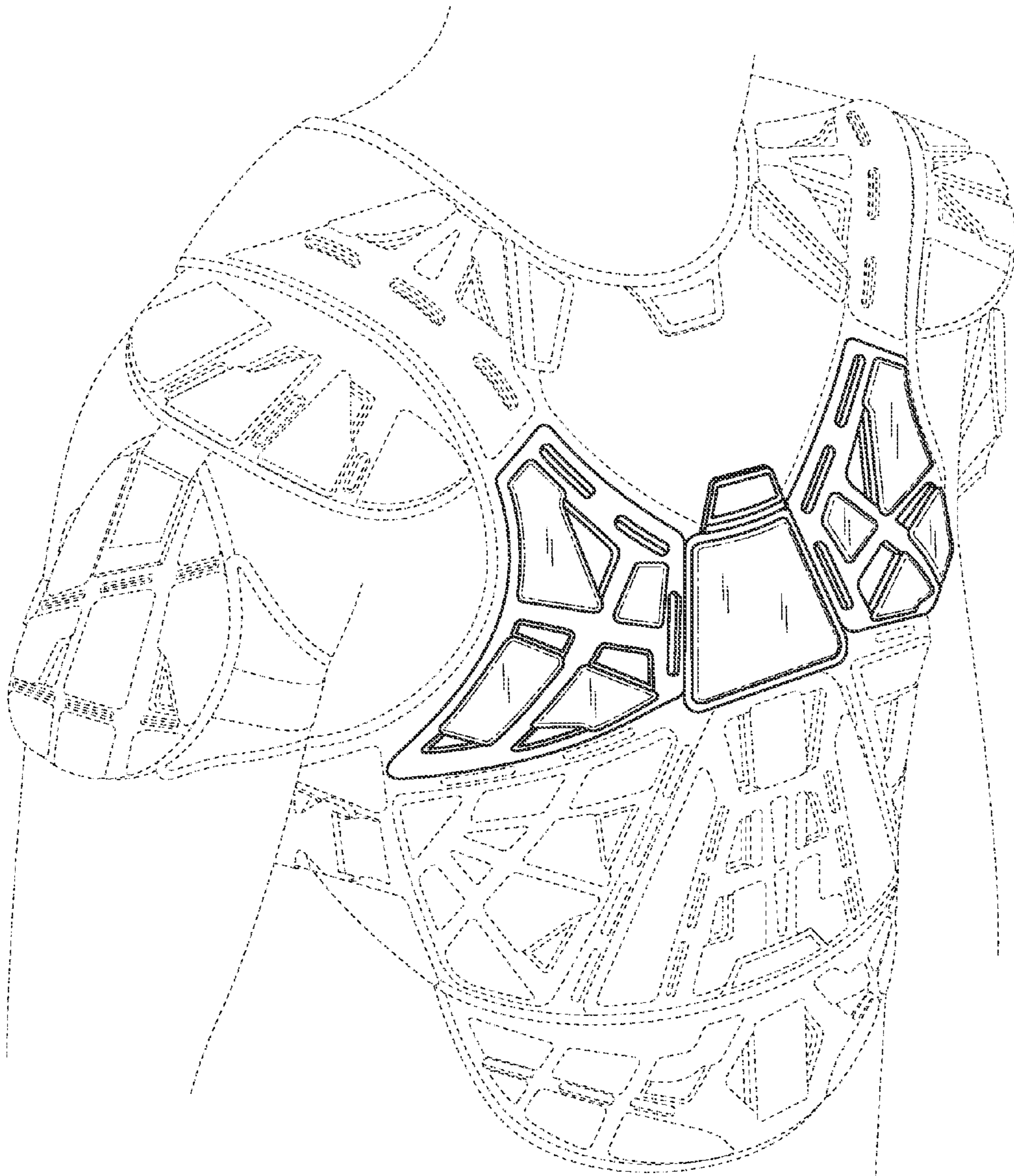
4,993,076 A 2/1991 Dierickx  
 5,029,341 A 7/1991 Wingo, Jr.  
 5,060,313 A 10/1991 Neuhalfen  
 5,065,457 A 11/1991 Henson  
 5,159,715 A 11/1992 Jurga et al.  
 5,483,698 A 1/1996 Douglas, Jr.  
 5,546,601 A \* 8/1996 Abeyta ..... 2/468  
 5,623,728 A \* 4/1997 Wagner ..... 2/462  
 5,652,967 A 8/1997 Hsu  
 5,768,717 A 6/1998 Le Sueur  
 6,067,665 A 5/2000 DePalma et al.  
 D484,648 S 12/2003 Fiorini et al.  
 6,678,899 B2 1/2004 Fiorini et al.  
 D493,258 S \* 7/2004 Beland ..... D29/122  
 D494,323 S 8/2004 Weller  
 6,775,851 B1 8/2004 Chen et al.  
 6,826,786 B2 12/2004 Fiorini et al.  
 6,971,123 B2 12/2005 Weaver  
 6,991,343 B2 1/2006 Langley et al.  
 D600,860 S 9/2009 Durham  
 D606,261 S \* 12/2009 Tobergte ..... D29/101.2  
 7,647,651 B2 \* 1/2010 Contant et al. .... 2/459  
 7,827,625 B2 11/2010 Morrow et al.  
 7,882,576 B2 \* 2/2011 Morrow et al. .... 2/462  
 D638,583 S 5/2011 Bishop

7,975,321 B1 7/2011 Behrens  
 D643,978 S 8/2011 Alonso et al.  
 8,024,820 B2 9/2011 Weimer et al.  
 D663,072 S 7/2012 Best et al.  
 D663,484 S 7/2012 Best et al.  
 D665,949 S 8/2012 Jourde et al.  
 8,336,124 B2 12/2012 Crelinsten et al.  
 2002/0162162 A1 11/2002 Collins et al.  
 2003/0024035 A1 2/2003 Fiorini et al.  
 2006/0048292 A1 3/2006 Gillen et al.  
 2007/0010771 A1 1/2007 Leatt  
 2007/0199129 A1 8/2007 Davis  
 2009/0084149 A1 4/2009 Van Der Werf et al.  
 2011/0167548 A1 7/2011 Jourde et al.  
 2011/0307999 A1 12/2011 Jourde et al.

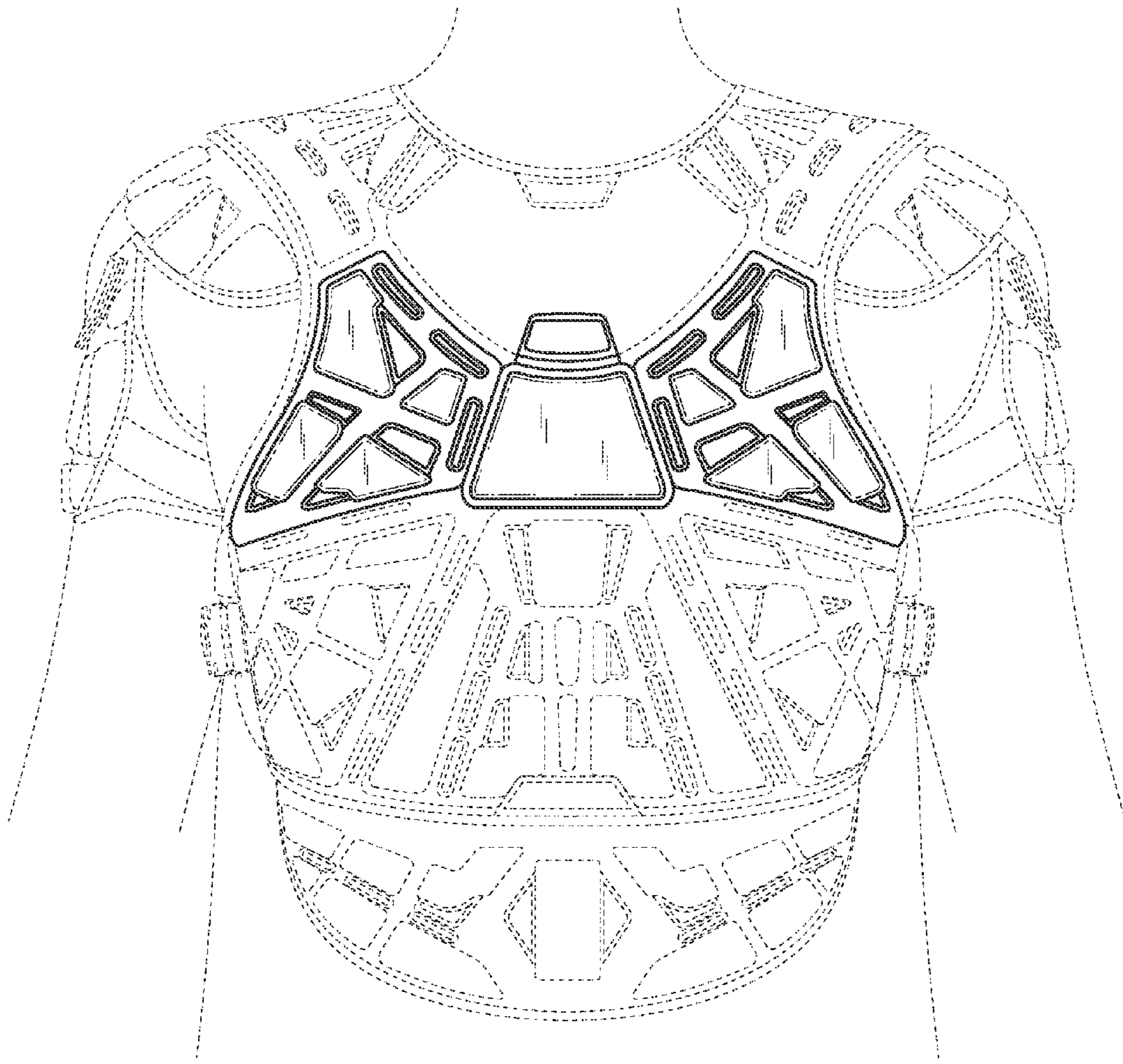
OTHER PUBLICATIONS

International Search Report and Written Opinion issued in PCT/  
 US2011/023019, mailed Jun. 9, 2011, 11 pages.  
 Design U.S. Appl. No. 29/396,572, filed Jul. 1, 2011 entitled Soft  
 Chest Protector.  
 Design U.S. Appl. No. 29/398,483, filed Aug. 1, 2011, entitled Soft  
 Chest Protector.  
 Design U.S. Appl. No. 29/424,221, filed Jun. 8, 2012, entitled Chest  
 Protector.

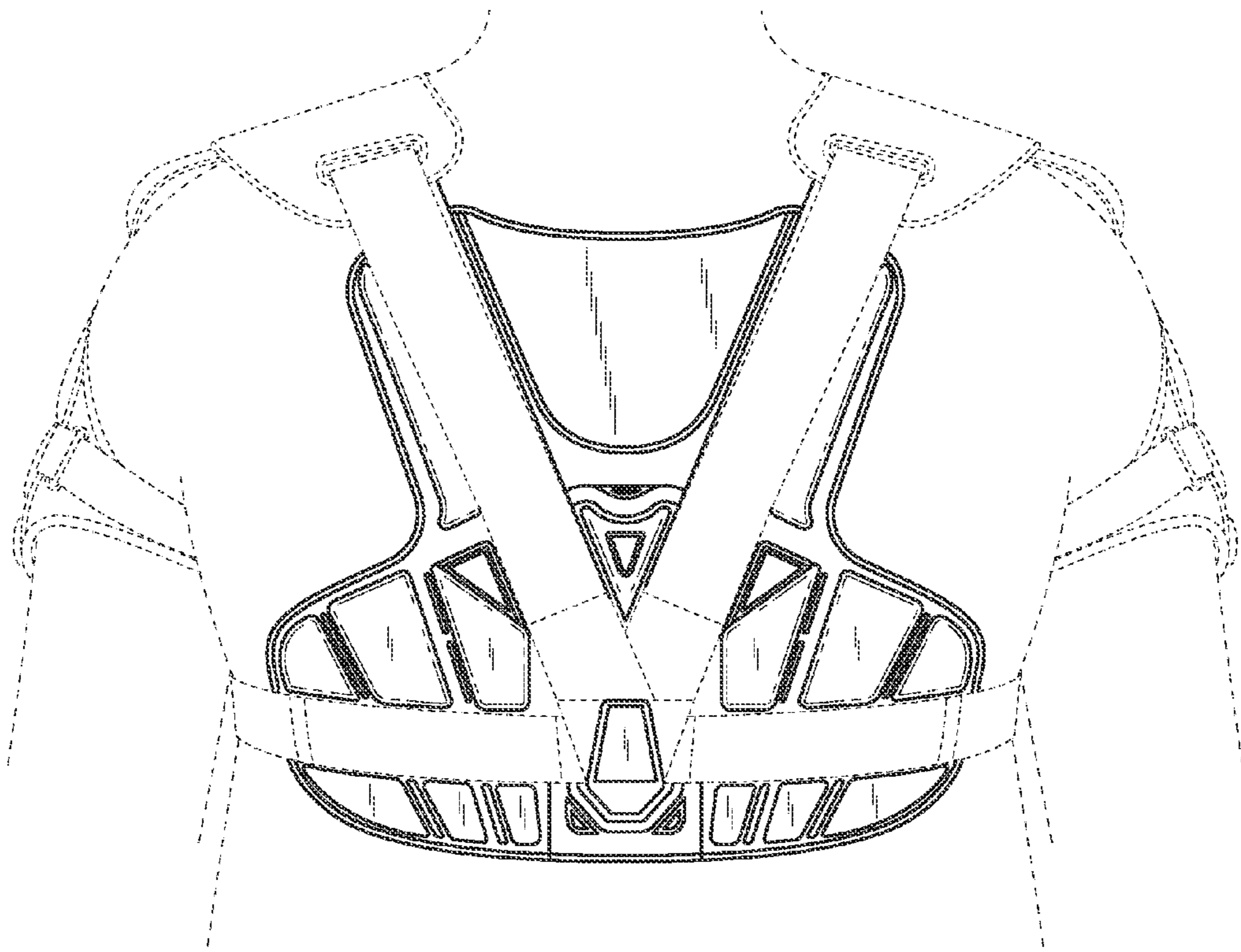
\* cited by examiner



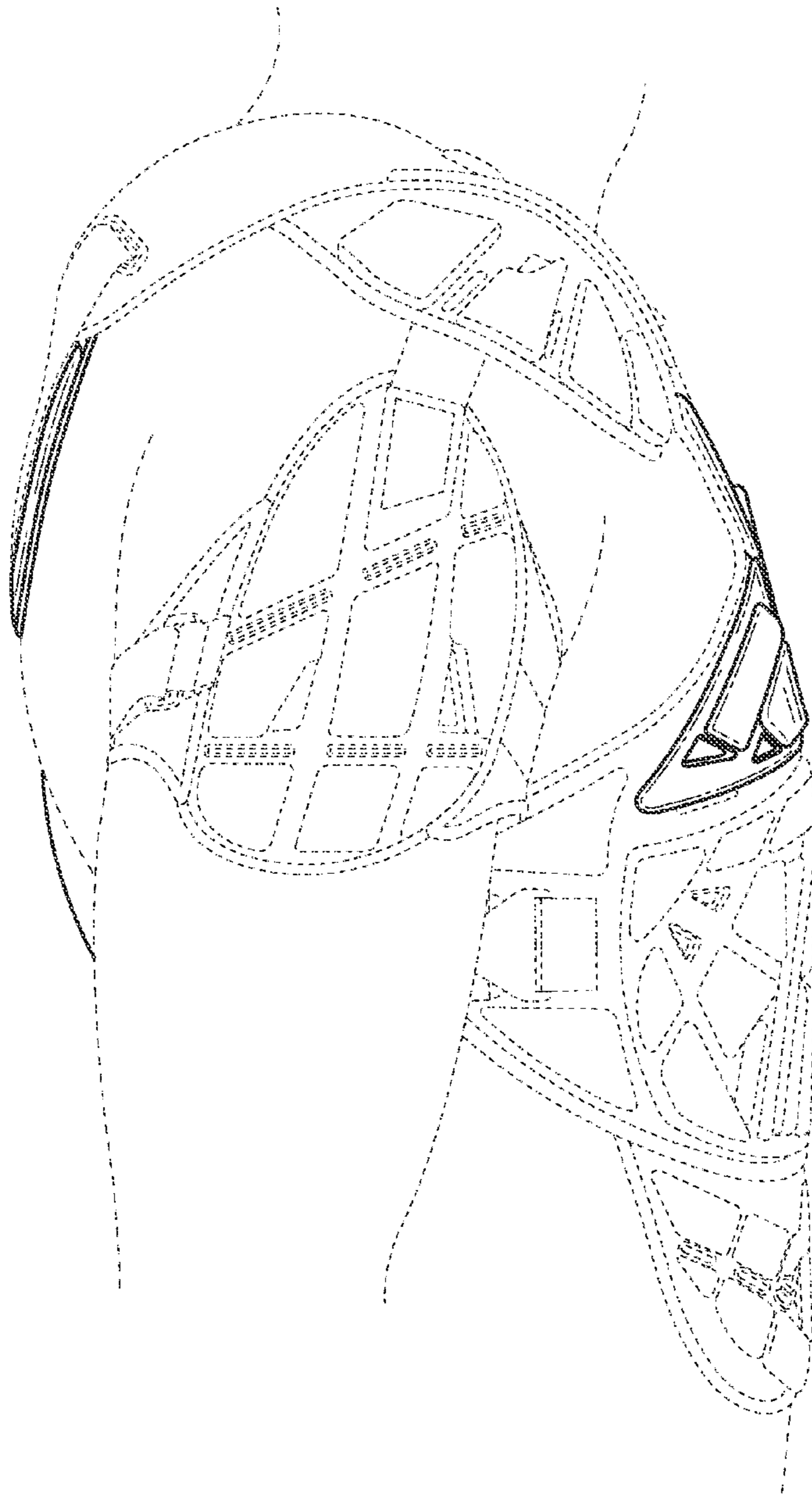
**Fig. 1**



**Fig. 2**



**Fig. 3**



**Fig. 4**

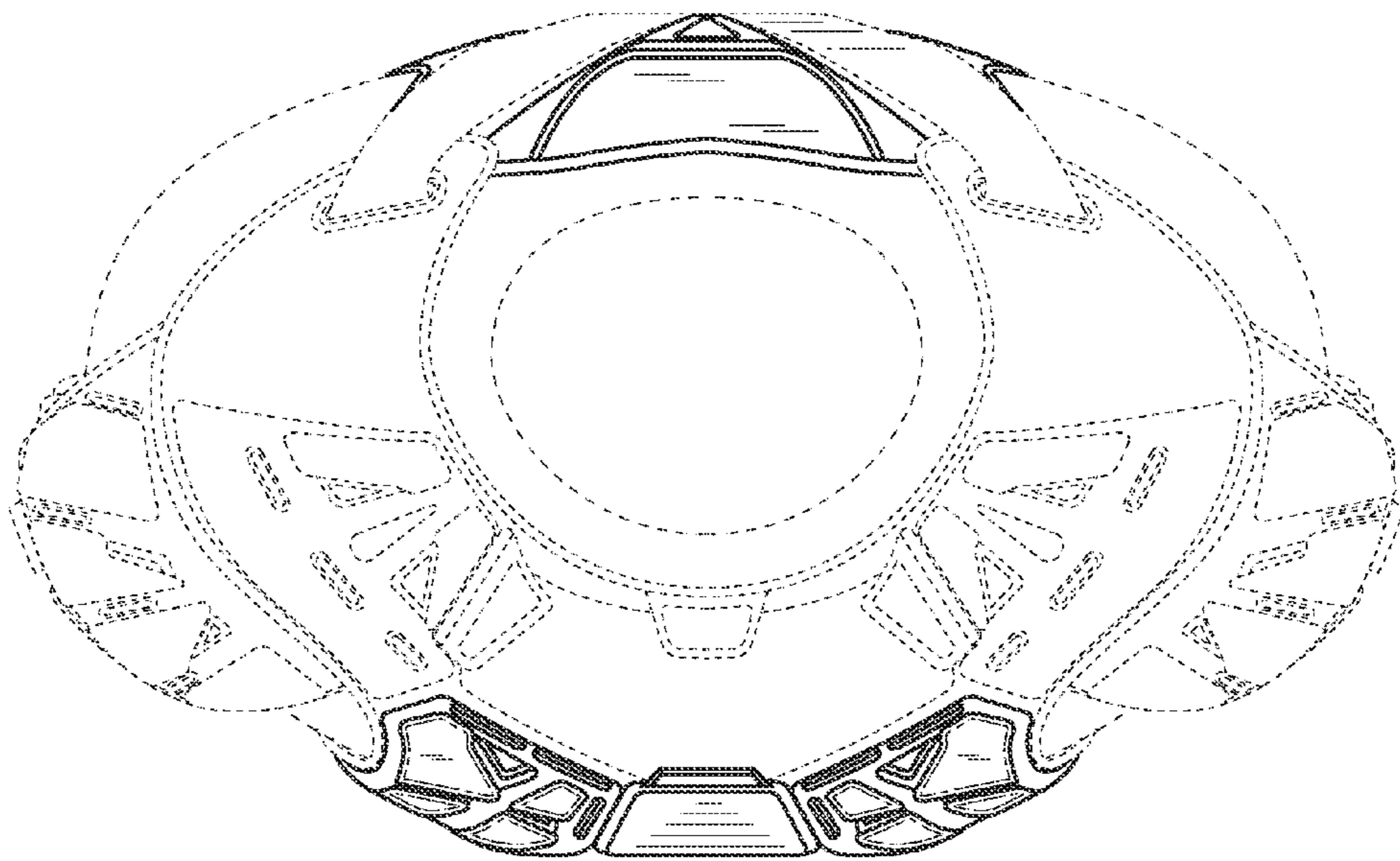


Fig. 5