



US00D744165S

(12) **United States Design Patent**  
**Tucker et al.**

(10) **Patent No.:** **US D744,165 S**  
(45) **Date of Patent:** **\*\* Nov. 24, 2015**

(54) **RAZOR CARTRIDGE**

(71) Applicant: **SHAVELOGIC, INC.**, Dallas, TX (US)

(72) Inventors: **William E. Tucker**, Attleboro, MA (US); **John W. Griffin**, Moultonborough, NH (US); **Craig A. Provost**, Providence, RI (US); **Douglas R. Kohring**, Saco, ME (US)

(73) Assignee: **SHAVELOGIC, INC.**, Dallas, TX (US)

(\*\*) Term: **14 Years**

(21) Appl. No.: **29/489,011**

(22) Filed: **Apr. 25, 2014**

(51) **LOC (10) Cl.** ..... **28-03**

(52) **U.S. Cl.**  
USPC ..... **D28/47**

(58) **Field of Classification Search**  
USPC ..... D28/44-48  
CPC ..... B26B 21/00-21/12; B26B 21/14;  
B26B 21/16; B26B 21/165; B26B 21/18;  
B26B 21/185; B26B 21/20-21/227; B26B  
21/24; B26B 21/28; B26B 21/30; B26B  
21/32; B26B 21/40; B26B 21/4062; B26B  
21/4068; B26B 21/4075; B26B 21/52-21/528  
See application file for complete search history.

(56) **References Cited**

U.S. PATENT DOCUMENTS

7,197,825	B2 *	4/2007	Walker et al.	30/77
D653,395	S *	1/2012	Adams et al.	D28/47
D695,458	S *	12/2013	Ramm	D28/48
2006/0080837	A1 *	4/2006	Johnson et al.	30/50
2010/0299928	A1 *	12/2010	Clarke et al.	30/34.1
2011/0247216	A1 *	10/2011	Johnson	30/41
2012/0279070	A1 *	11/2012	Seo	30/34.2

\* cited by examiner

*Primary Examiner* — Jennifer Rivard

(74) *Attorney, Agent, or Firm* — Leber Patent Law P.C.

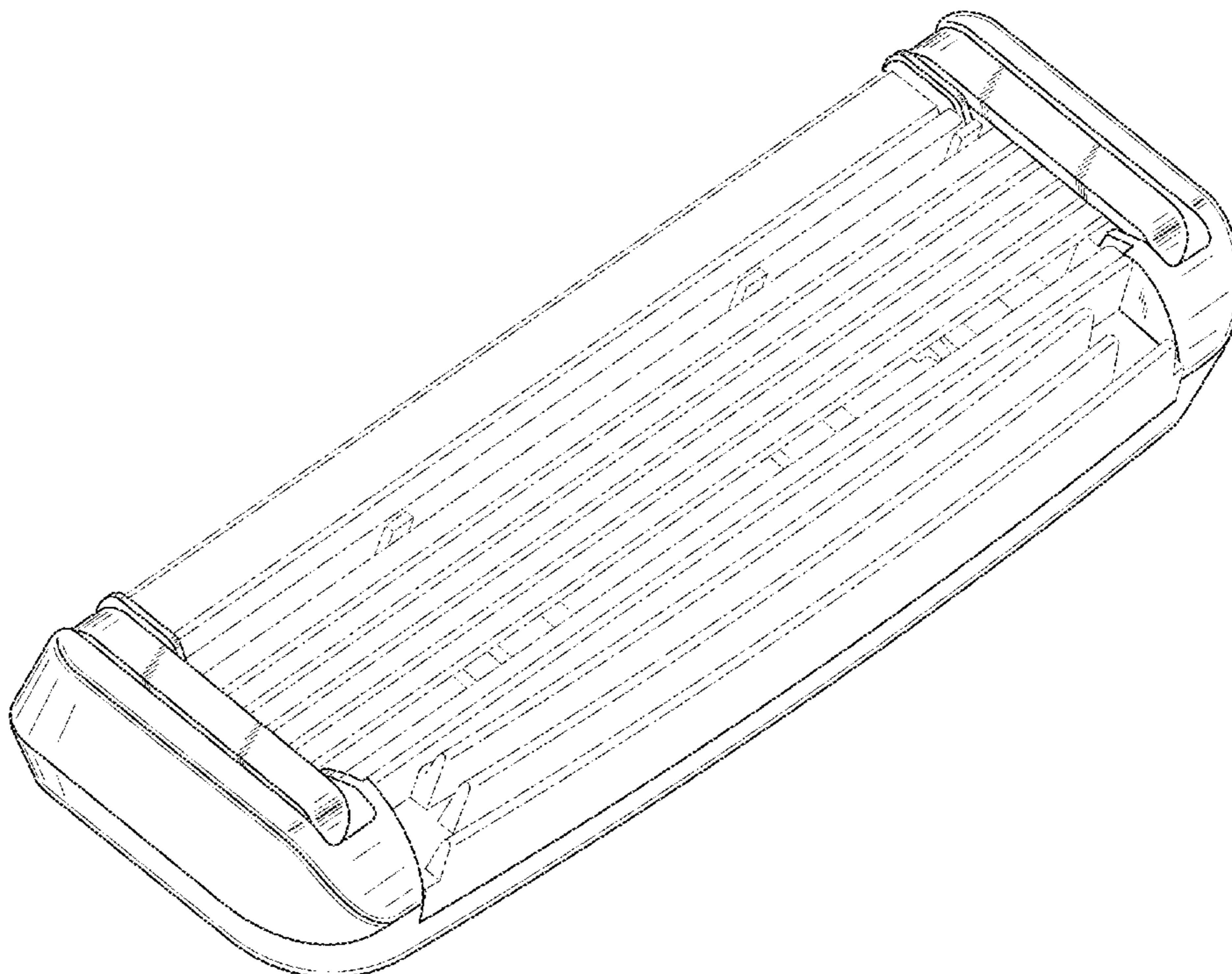
(57) **CLAIM**

The ornamental design for a razor cartridge, as shown and described.

**DESCRIPTION**

FIG. 1 is a top-right front perspective view of the razor cartridge;  
FIG. 2 is a top plan view thereof;  
FIG. 3 is a front elevational view thereof;  
FIG. 4 is a bottom plan thereof;  
FIG. 5 is a rear elevational view thereof; and,  
FIG. 6 is a right-side elevational view thereof, the left-side elevational view being a mirror image thereof.  
The broken lines illustrate portions of the razor cartridge and form no part of the claimed design.

**1 Claim, 4 Drawing Sheets**



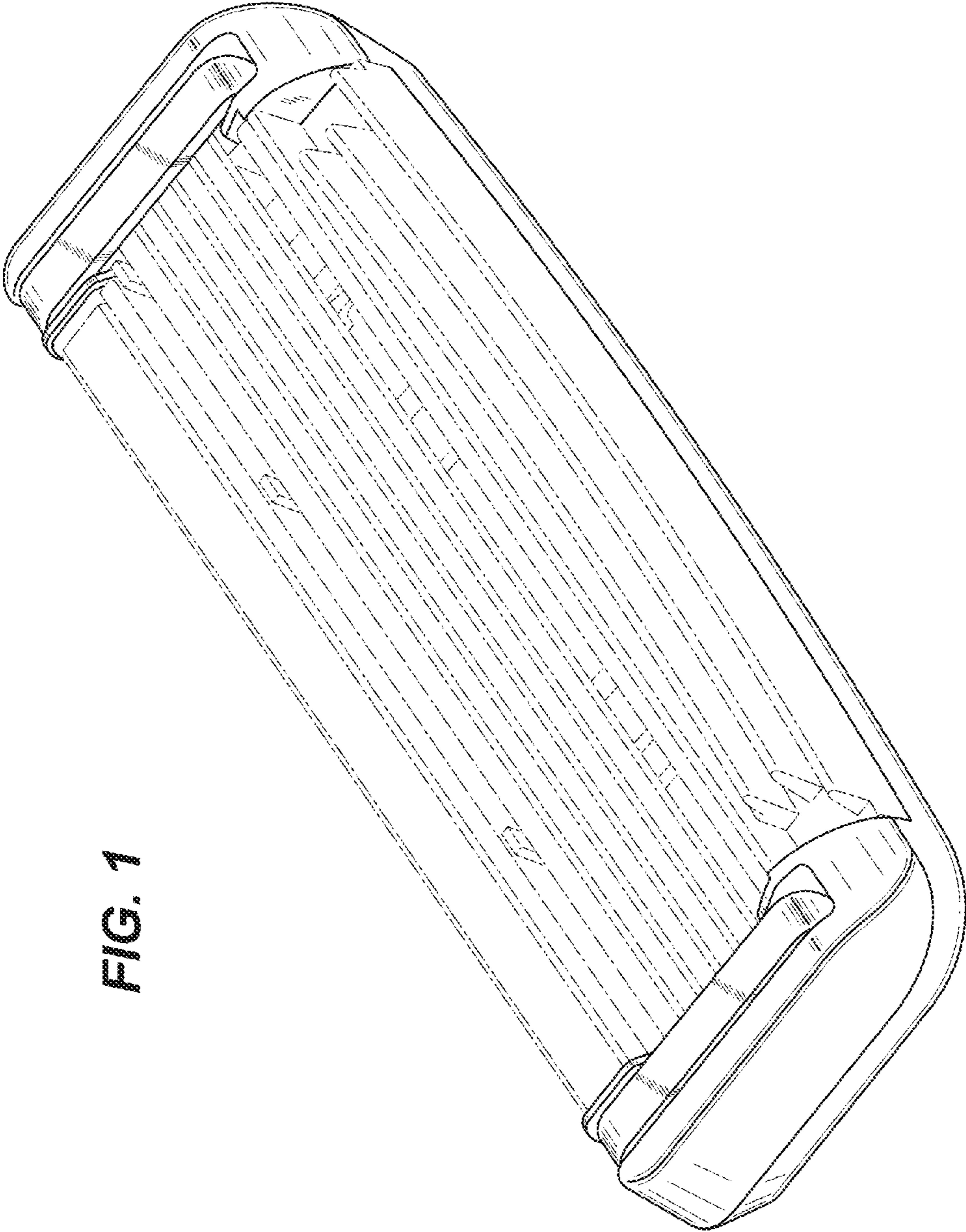
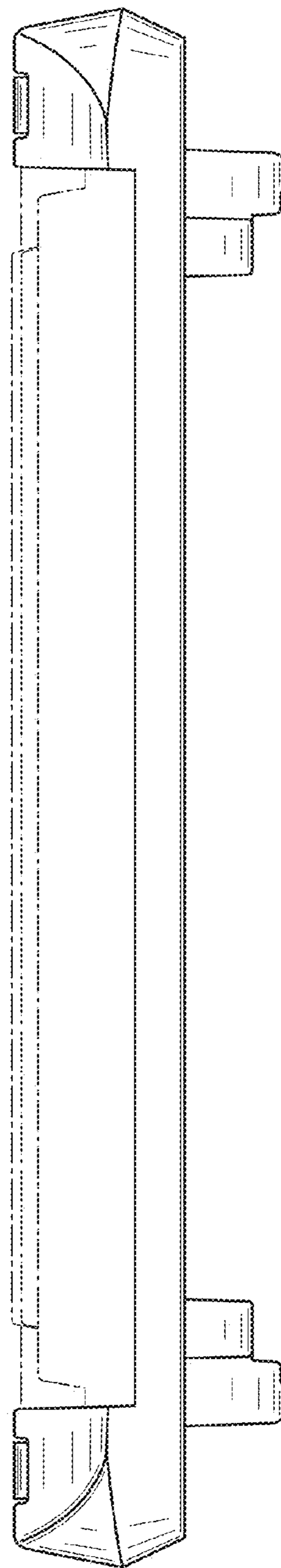


FIG. 1

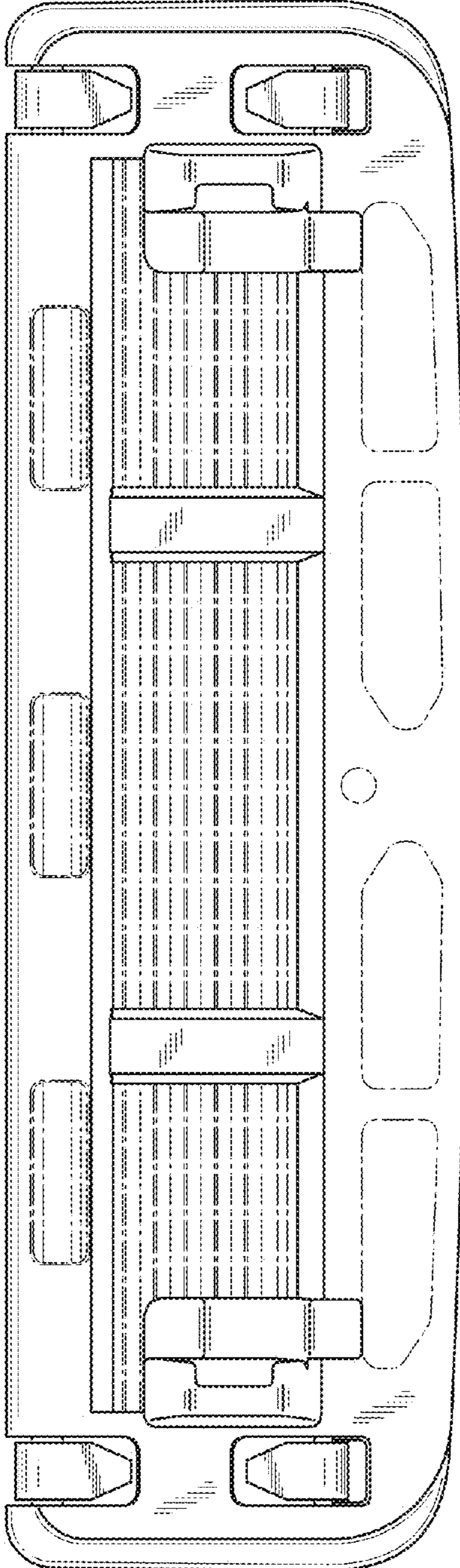
FIG. 2



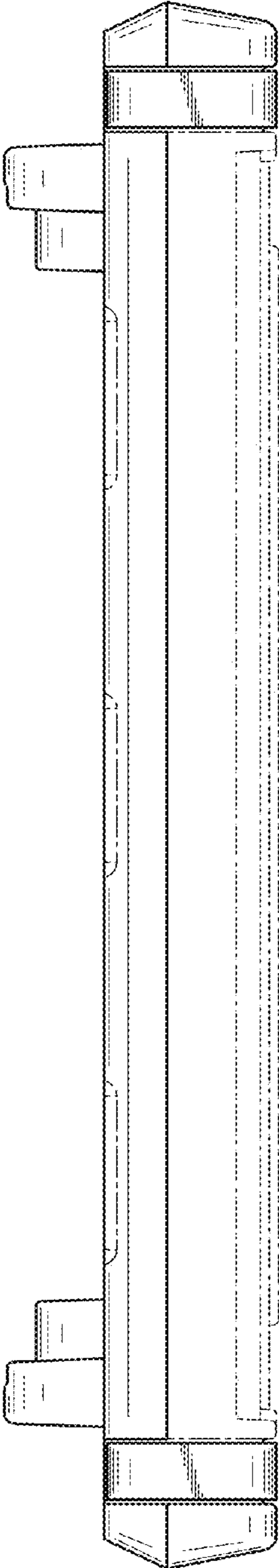
FIG. 3



**FIG. 4**



**FIG. 5**



**FIG. 6**

