



US00D744164S

(12) **United States Design Patent**
Manshoory

(10) **Patent No.:** **US D744,164 S**

(45) **Date of Patent:** **** Nov. 24, 2015**

(54) **TRAVEL RAZOR**

(71) Applicant: **Leila Kashani Manshoory**, Beverly Hills, CA (US)

(72) Inventor: **Leila Kashani Manshoory**, Beverly Hills, CA (US)

(**) Term: **14 Years**

(21) Appl. No.: **29/498,595**

(22) Filed: **Aug. 5, 2014**

(51) **LOC (10) Cl.** **28-03**

(52) **U.S. Cl.**
USPC **D28/46**

(58) **Field of Classification Search**
USPC 30/41, 537, 539, 541; D28/45-48, 44, D28/44.1
CPC B26B 21/44; B26B 21/443; B26B 21/446; A45D 2026/008; A45D 2026/0095
See application file for complete search history.

(56) **References Cited**

U.S. PATENT DOCUMENTS

D218,669 S *	9/1970	Genaro	D28/46
D280,136 S *	8/1985	Yajima et al.	D28/49
D566,333 S *	4/2008	Shoavi	D28/44.1
D566,334 S *	4/2008	Shoavi	D28/46
D627,102 S *	11/2010	Leventhal et al.	D28/48
D635,301 S *	3/2011	Cormier	D28/46

* cited by examiner

Primary Examiner — Jennifer Rivard

(74) *Attorney, Agent, or Firm* — Larisa Migachyov

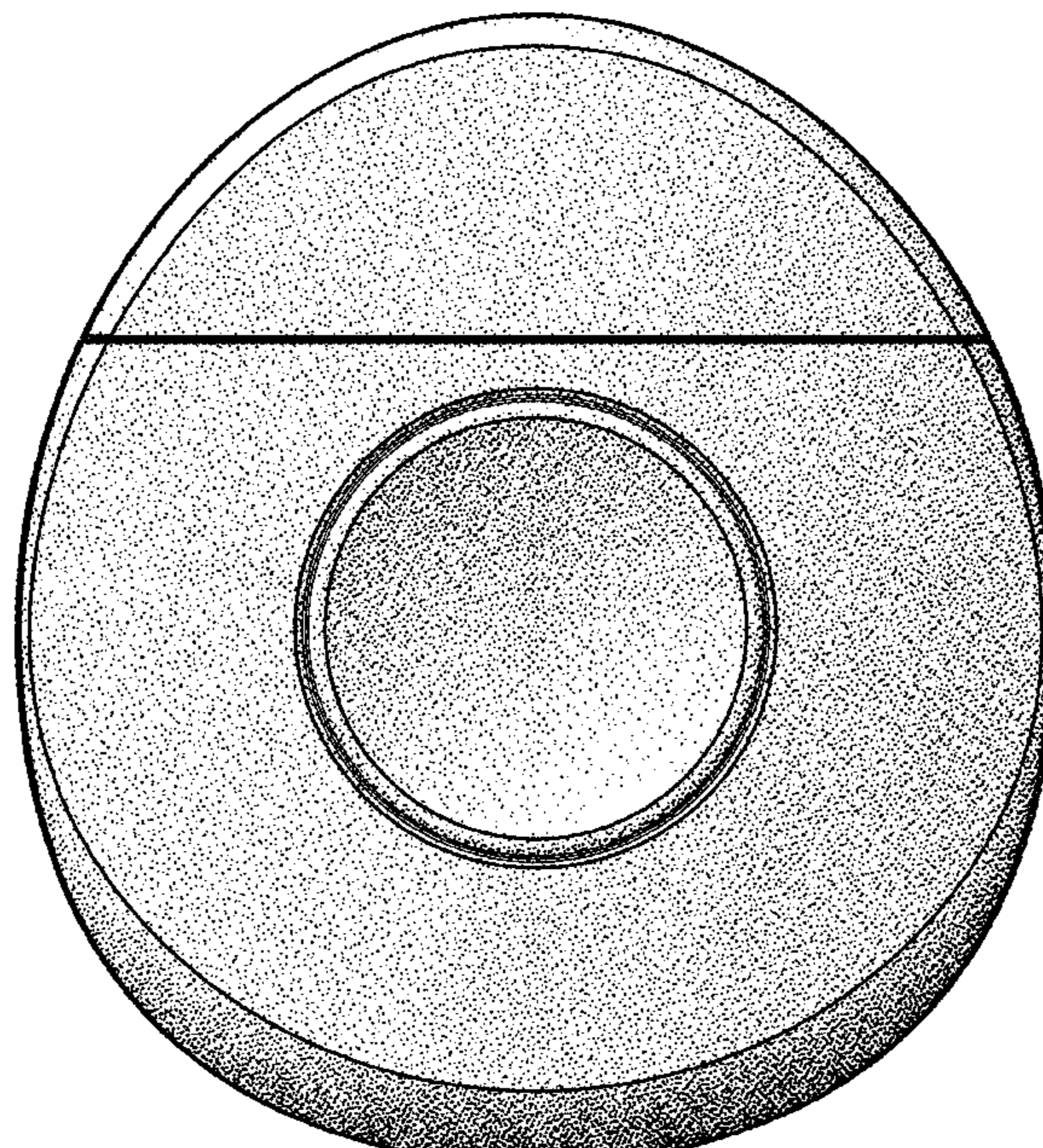
(57) **CLAIM**

The ornamental design for a travel razor, as shown and described.

DESCRIPTION

FIG. 1 is an isometric view of a travel razor of the present invention, showing my new design;
 FIG. 2 is an isometric view of the travel razor of the present invention, showing my new design;
 FIG. 3 is an isometric view of the travel razor of the present invention, showing my new design;
 FIG. 4 is an isometric view of the travel razor of the present invention with the cap off, showing my new design;
 FIG. 5 is an isometric view of the travel razor of the present invention with the cap off, showing my new design;
 FIG. 6 is an isometric view of the travel razor of the present invention with the cap off, showing my new design;
 FIG. 7 is an isometric view of the travel razor of the present invention with the cap off, showing my new design;
 FIG. 8 is a front view of the travel razor of the present invention, showing my new design;
 FIG. 9 is a back view of the travel razor of the present invention, showing my new design;
 FIG. 10 is a top view of the travel razor of the present invention, showing my new design;
 FIG. 11 is a bottom view of the travel razor of the present invention, showing my new design;
 FIG. 12 is a right side view of the travel razor of the present invention, showing my new design; and,
 FIG. 13 is a left side view of the travel razor of the present invention, showing my new design.
 The broken lines in FIGS. 5-7 illustrate portions of the travel razor and form no part of the claimed design.

1 Claim, 8 Drawing Sheets



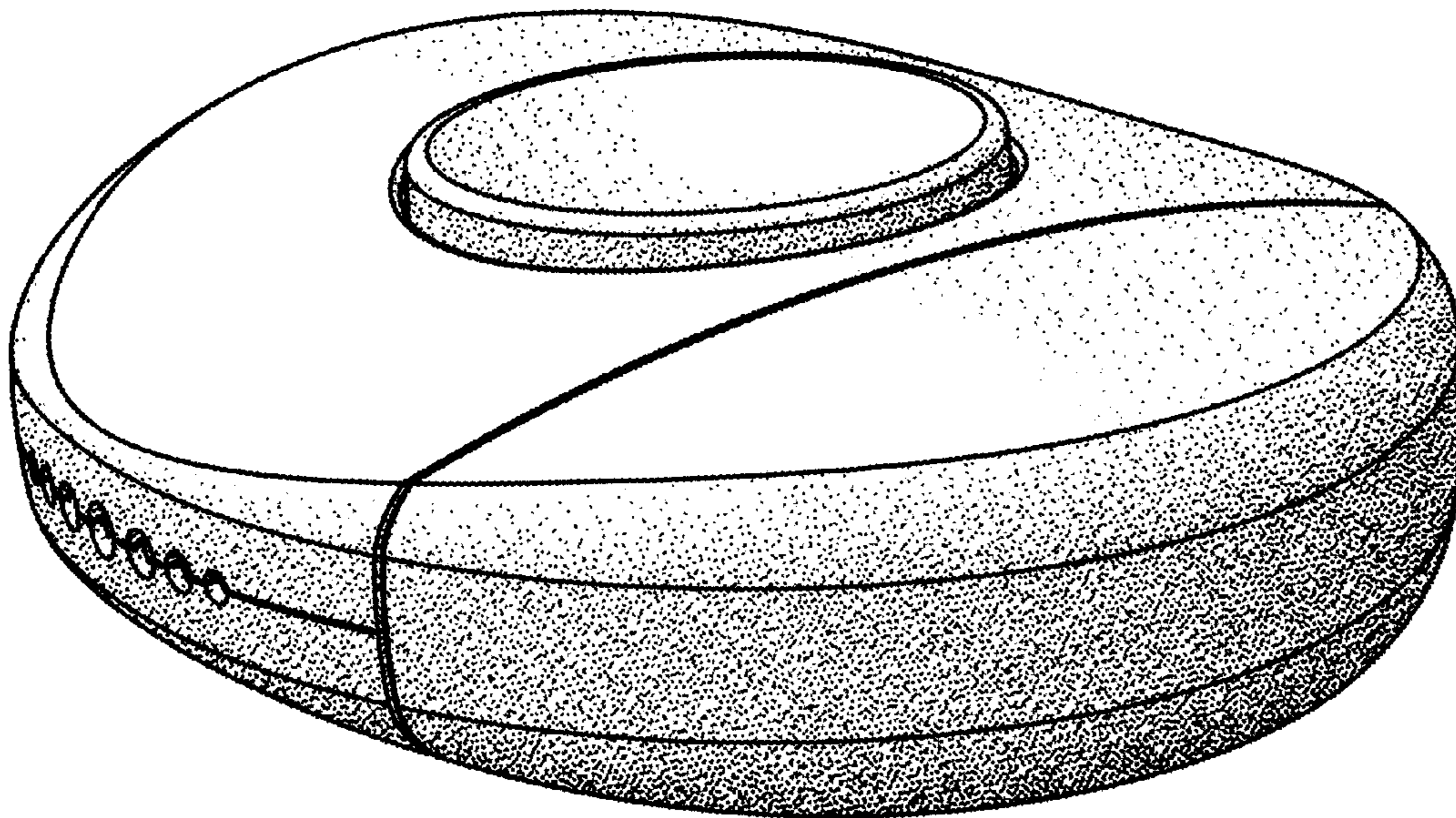


FIG. 1

FIG. 2

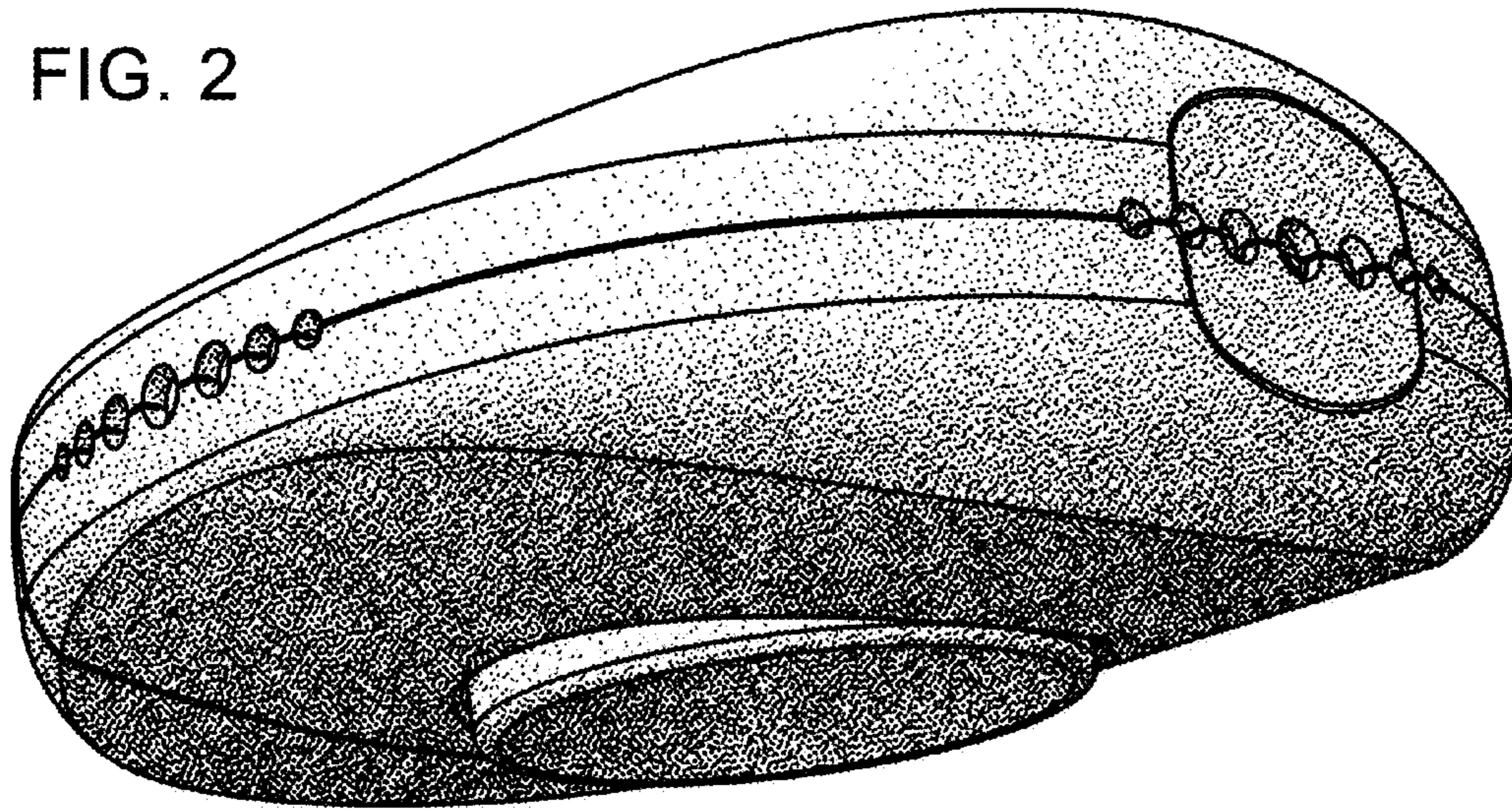


FIG. 3

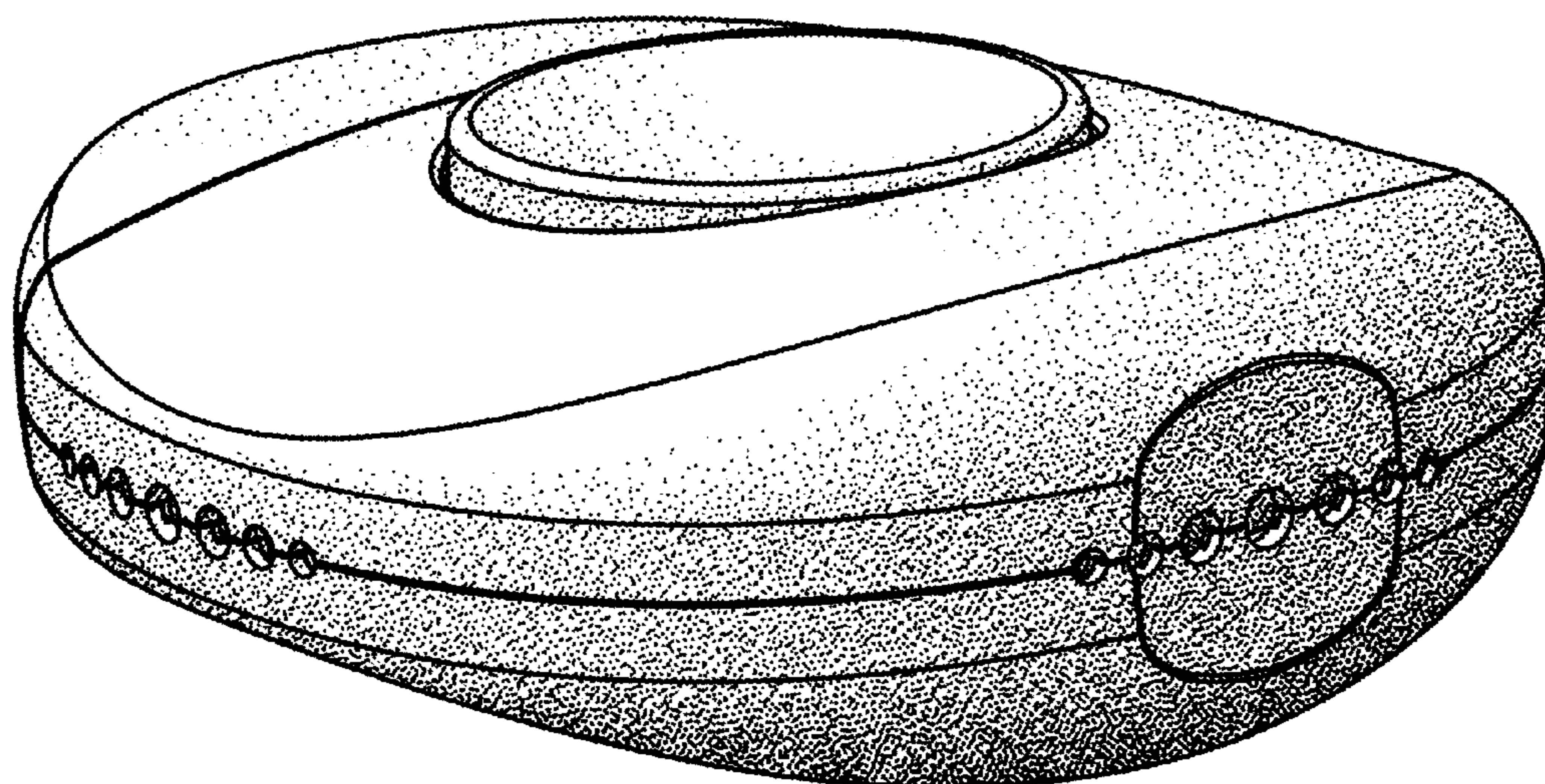


FIG. 4

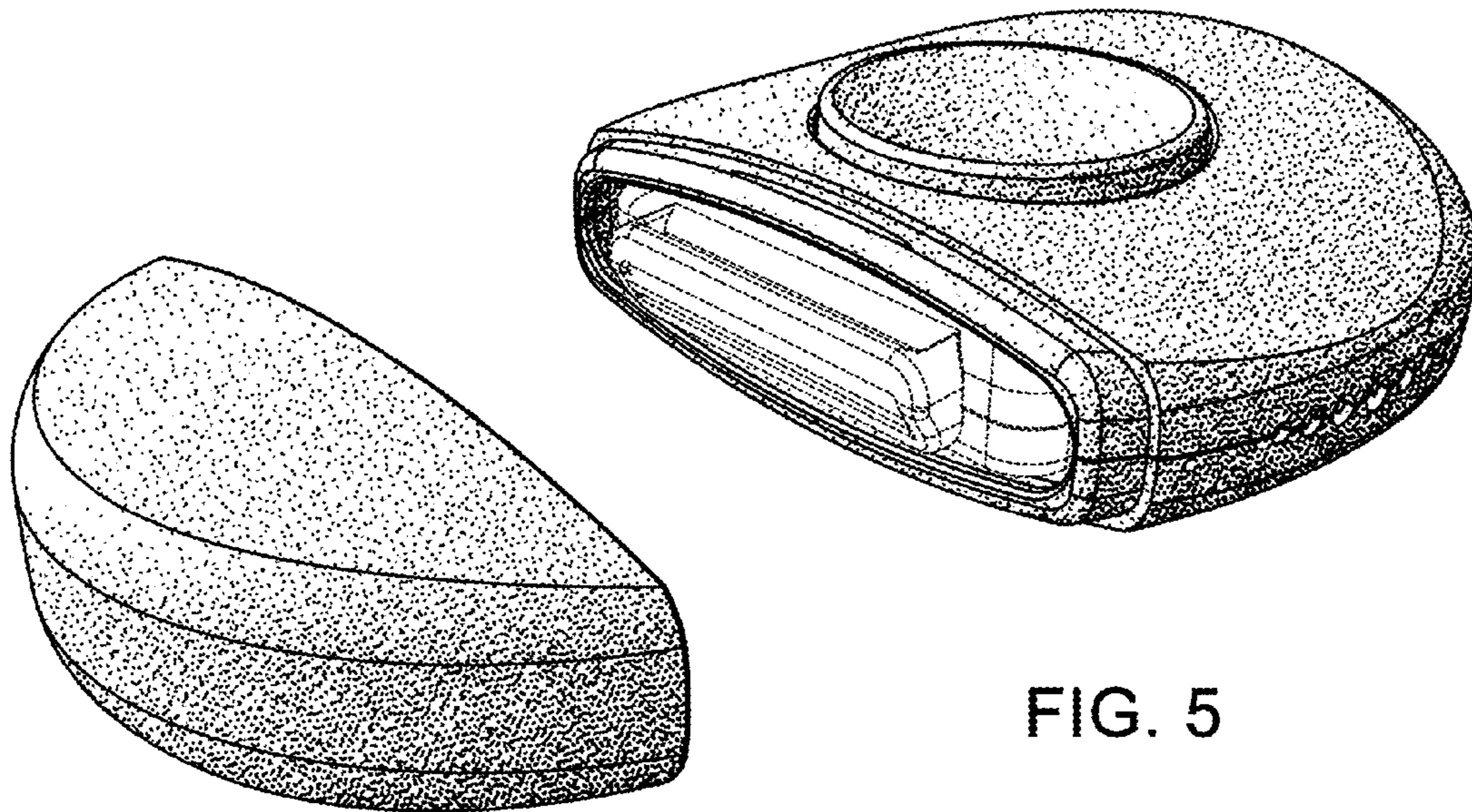
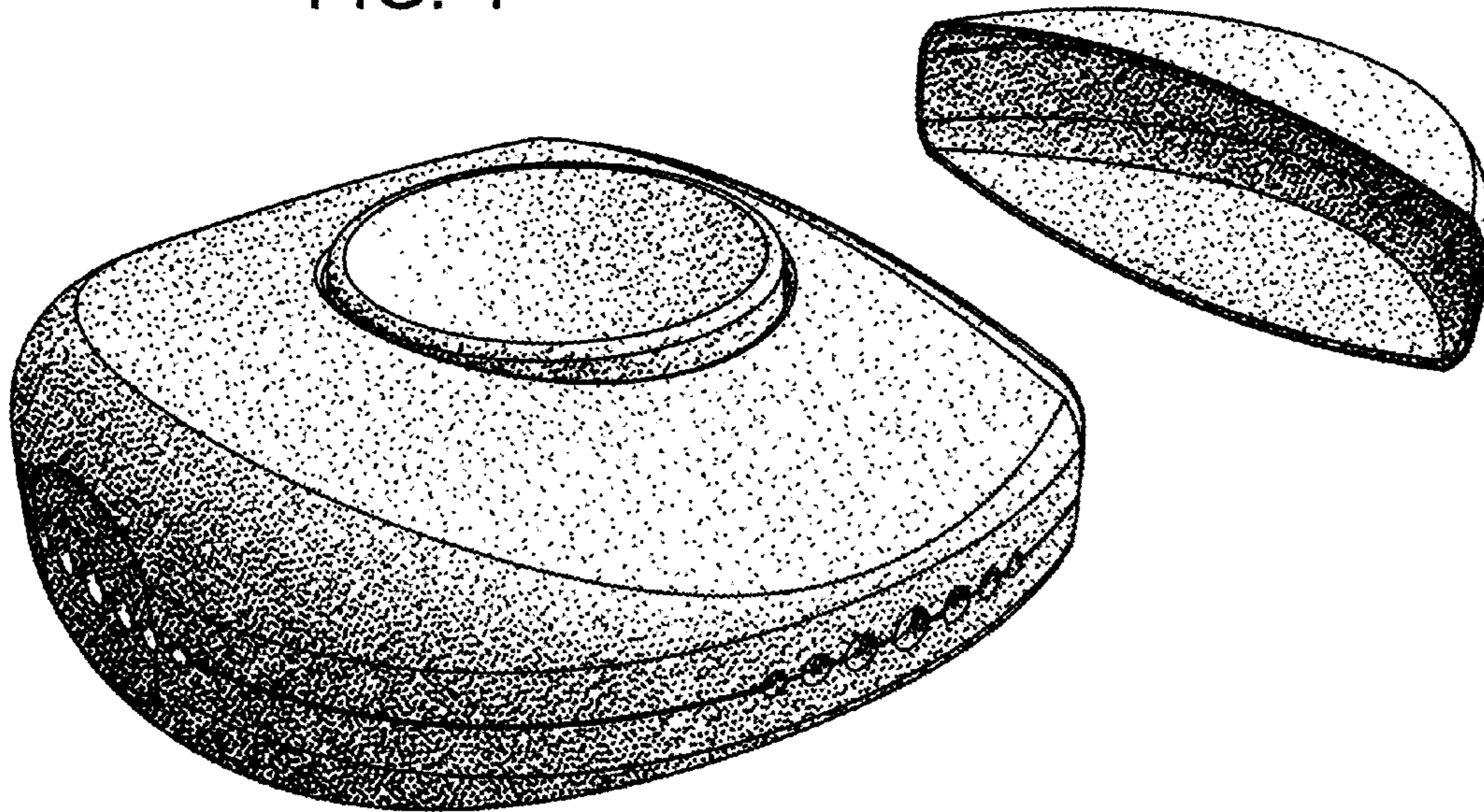


FIG. 5

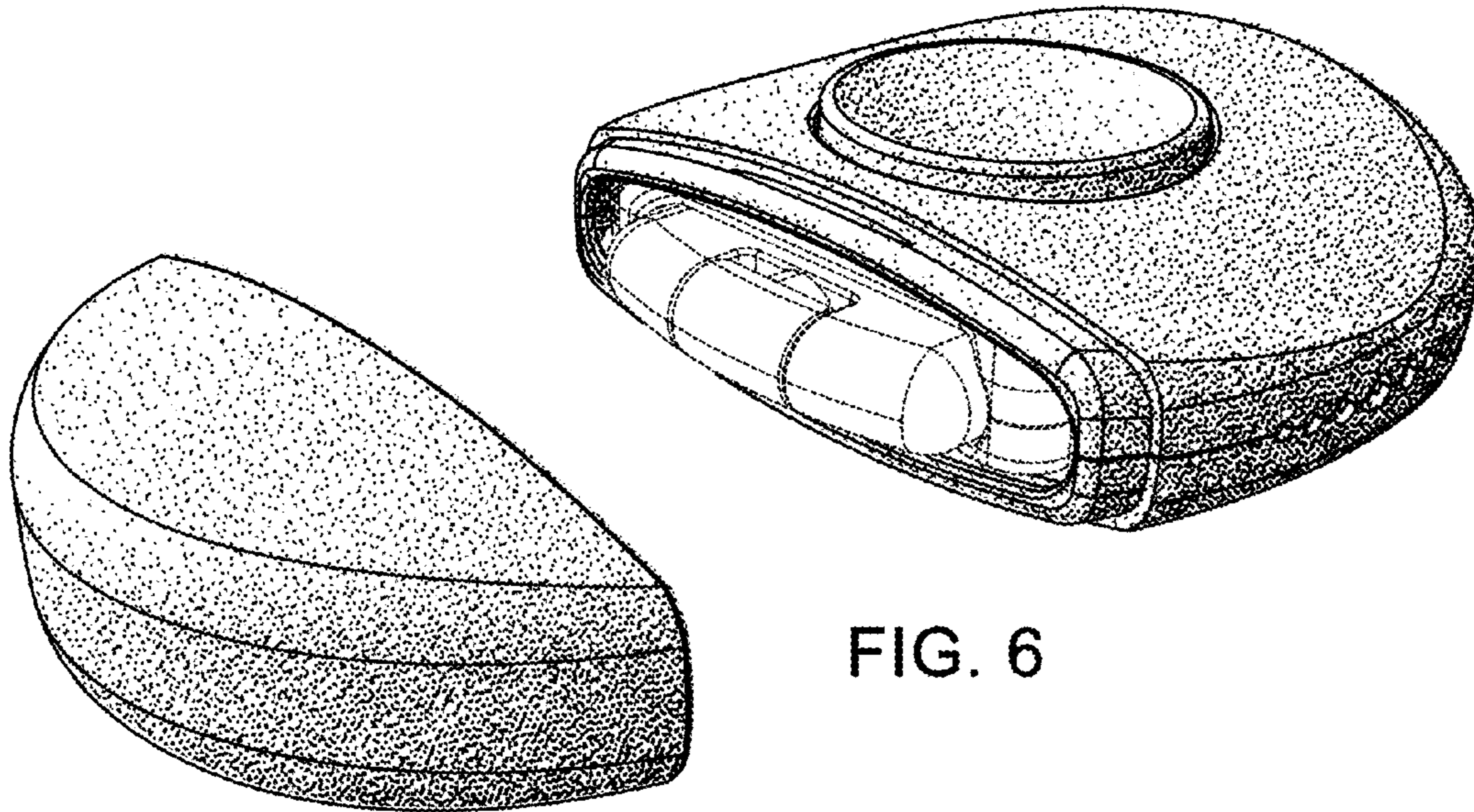


FIG. 6

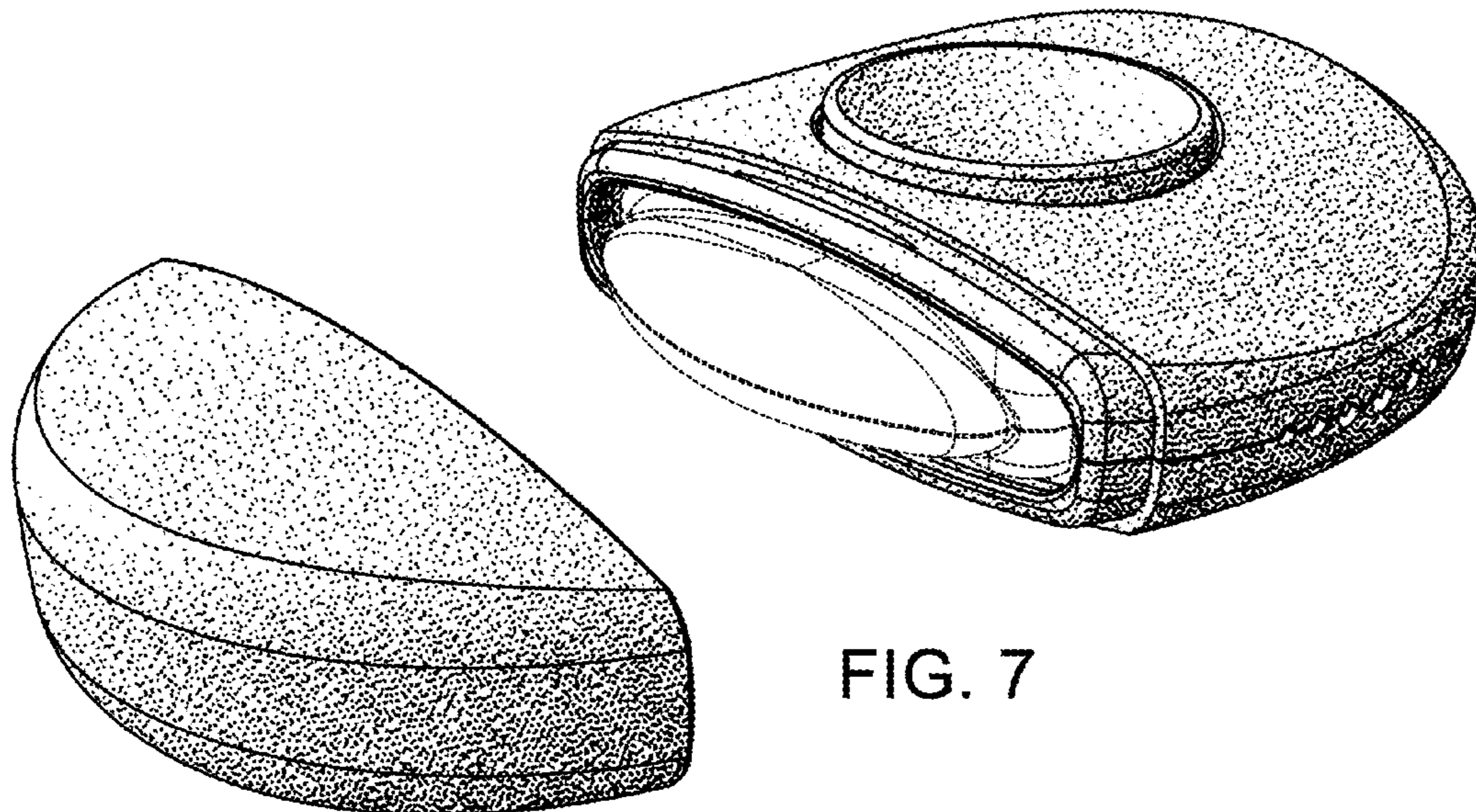


FIG. 7

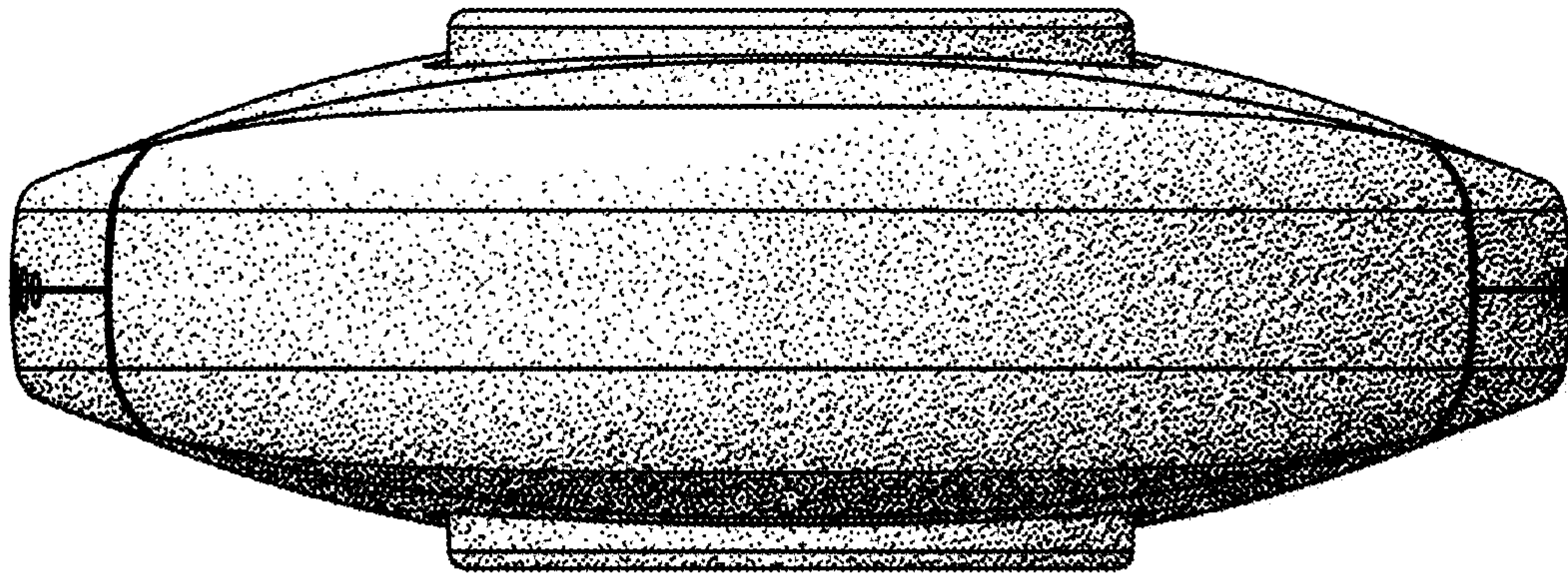


FIG. 8

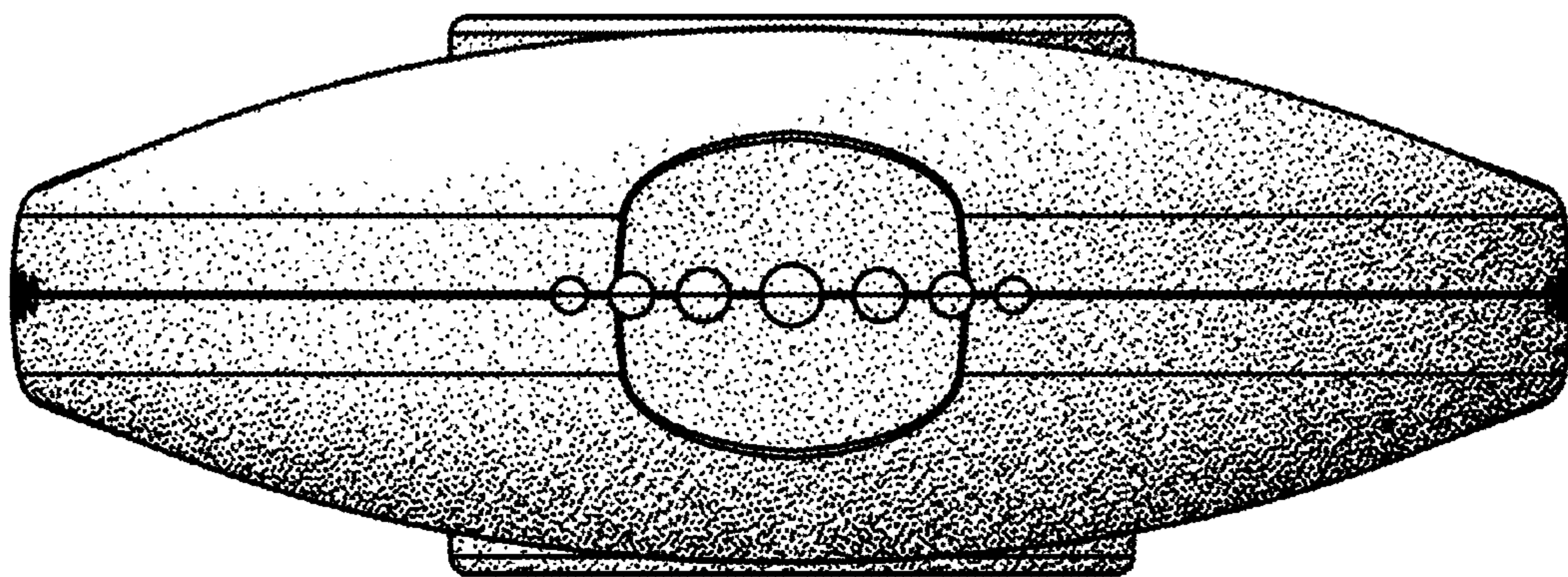


FIG. 9

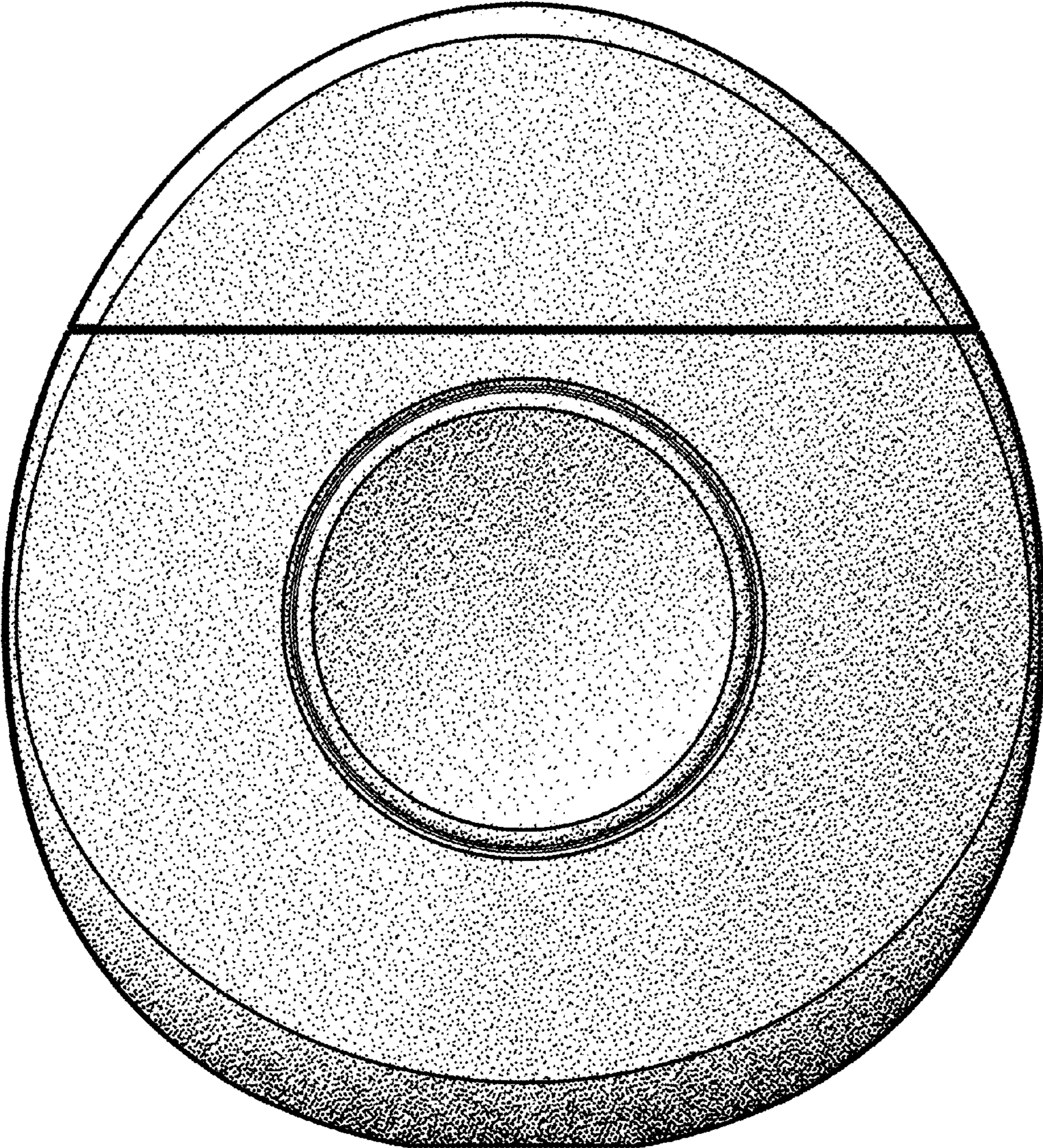


FIG. 10

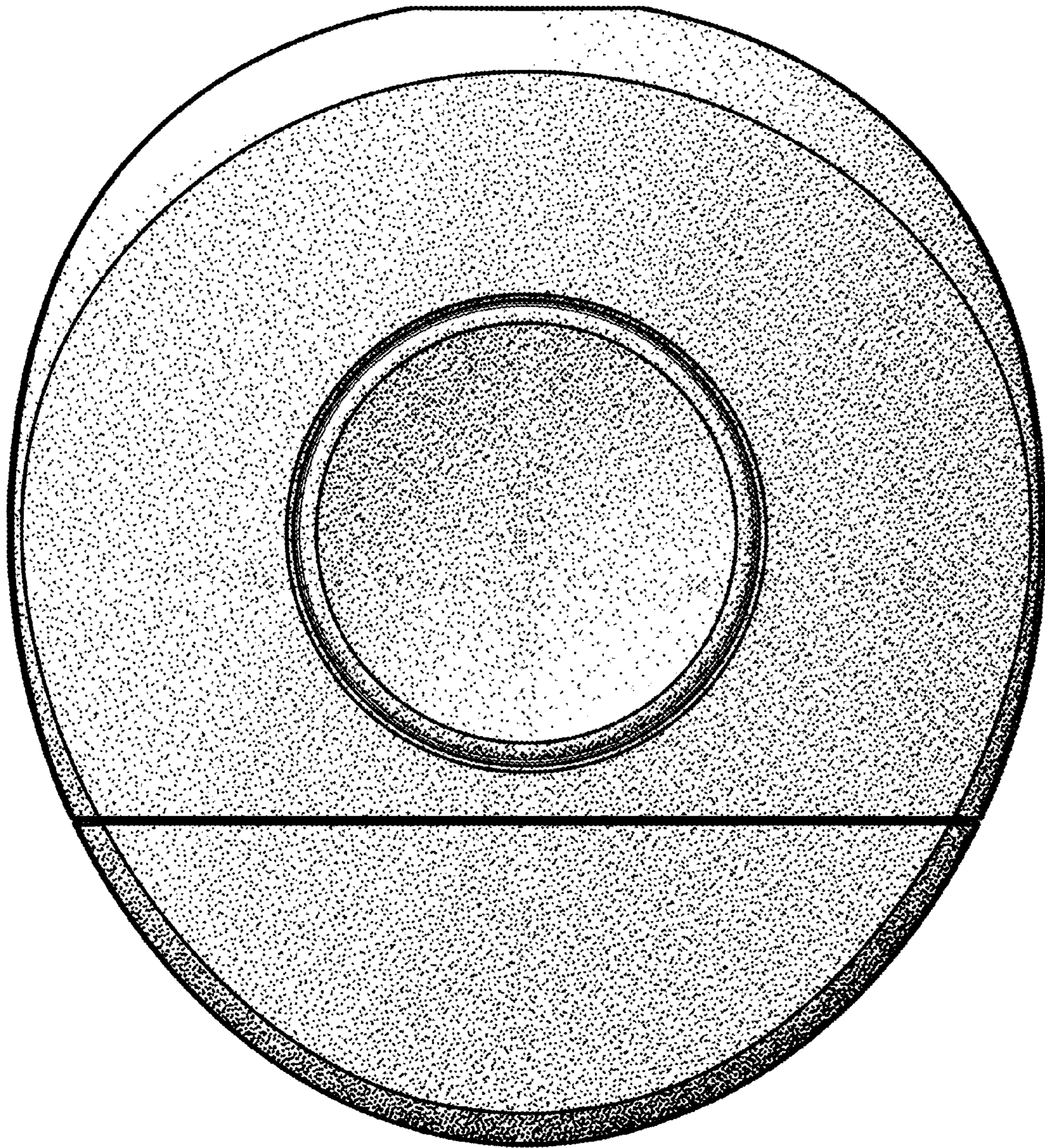


FIG. 11

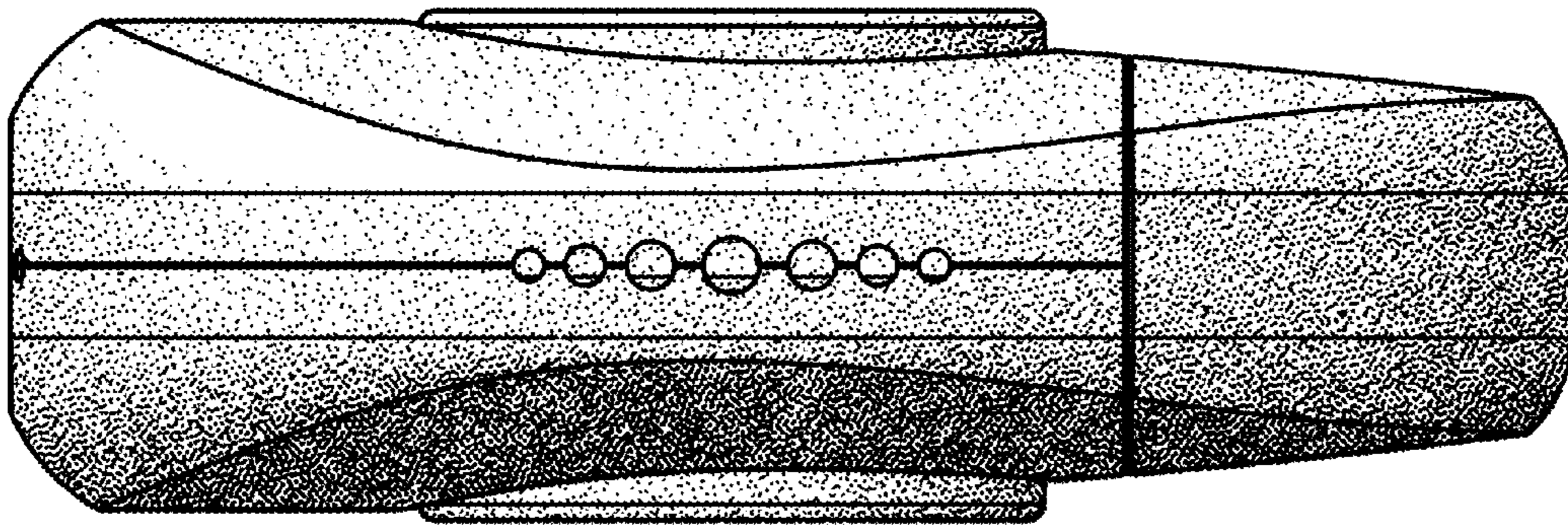


FIG. 12

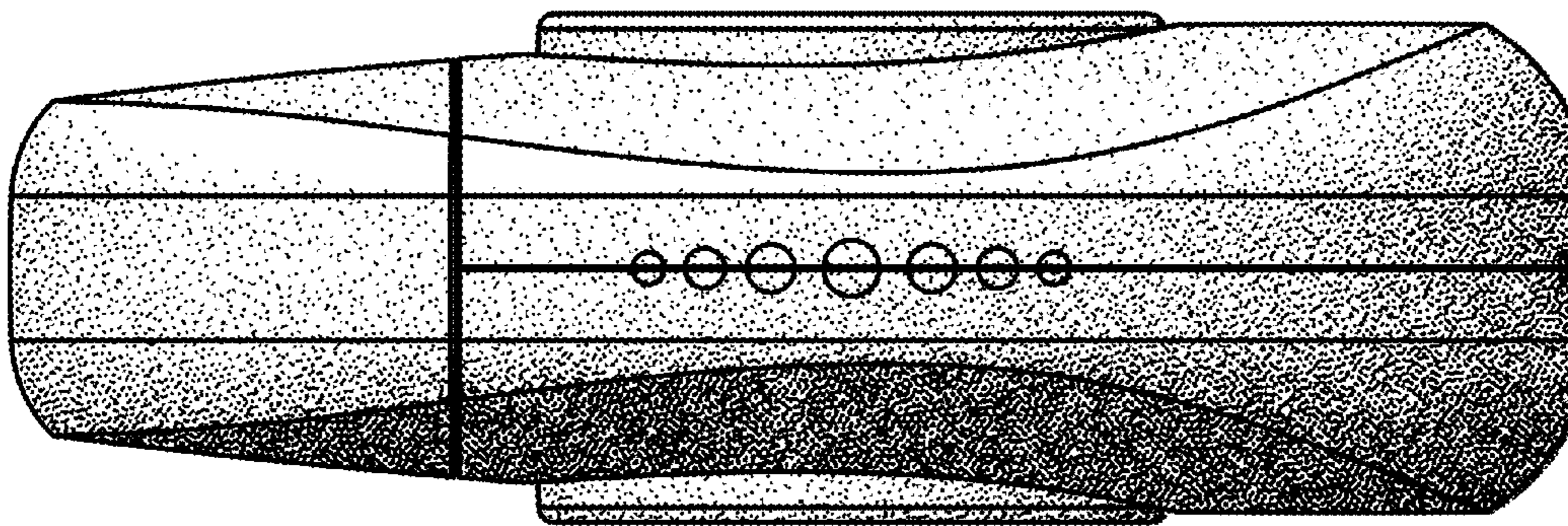


FIG. 13