



US00D744159S

(12) **United States Design Patent**
Lukas

(10) **Patent No.:** **US D744,159 S**
(45) **Date of Patent:** **** Nov. 24, 2015**

(54) **ELECTRONIC CIGARETTE STAND**

(71) Applicant: **Dave A. Lukas**, Reno, NV (US)

(72) Inventor: **Dave A. Lukas**, Reno, NV (US)

(**) Term: **14 Years**

(21) Appl. No.: **29/470,862**

(22) Filed: **Oct. 25, 2013**

(51) **LOC (10) Cl.** **27-06**

(52) **U.S. Cl.**
USPC **D27/183; D27/172**

(58) **Field of Classification Search**
USPC D27/102–105, 108–111, 118, 123–129,
D27/133–134, 137, 138, 141, 144, 152, 153,
D27/157, 160, 172–194; D9/420, 423, 456,
D9/504, 529, 545, 686, 688, 524, 737, 741,
D9/746, 756, 758; D13/108; 206/242, 249,
206/250, 256, 259, 261, 264, 265, 267,
206/268; D3/206, 273, 294, 319; 131/231,
131/240, 241, 242, 242.5, 270–273,
131/329–330, 347; D7/513, 541, 701;
D8/356, 357, 380, 383, 396; D6/552
CPC A24F 13/14; A24F 9/16; A24F 15/00;
A24F 15/12; A24F 15/14; A24F 15/18;
A24F 15/005; A24F 15/20; A24F 23/00;
A24F 23/04; A24F 15/02; A24F 15/08;
A24F 21/00; B60N 3/12
See application file for complete search history.

(56) **References Cited**

U.S. PATENT DOCUMENTS

D55,496 S * 6/1920 White D7/590
D120,992 S * 6/1940 Kushiner D27/134
D122,774 S * 10/1940 Frederick D7/553.4
D145,573 S * 9/1946 Frank D27/129
D164,771 S * 10/1951 Gubics D27/187

D177,070 S * 3/1956 Saunders D27/127
D215,114 S * 9/1969 Cronheim D27/126
D249,564 S * 9/1978 Sackett et al. D27/134
4,588,076 A 5/1986 Caputo et al.
D334,246 S * 3/1993 Baker D27/129
5,615,780 A 4/1997 Nimitz et al.
D381,515 S * 7/1997 Haynes D3/313
D452,938 S * 1/2002 Lai D28/77
6,502,705 B1 1/2003 Ziegler
D515,941 S * 2/2006 Hamblin et al. D9/756
7,360,661 B2 4/2008 Nickerson
8,398,941 B2 3/2013 Sinclair et al.
D712,091 S * 8/2014 Liu D27/193
D726,955 S * 4/2015 Martin D27/172

OTHER PUBLICATIONS

E-cigarette silicone sucker holder <http://www.unicig.net/e-cigarette-silicone-sucker-holder.html> (Jul. 30, 2013).

(Continued)

Primary Examiner — Susan Bennett Hattan

Assistant Examiner — Janice Hallmark

(74) *Attorney, Agent, or Firm* — Robert C. Montgomery;
Montgomery Patent & Design

(57) **CLAIM**

The ornamental design for an electronic cigarette stand, as shown and described.

DESCRIPTION

FIG. 1 is a perspective view of an electronic cigarette stand showing a rectangular component and a circular component in juxtaposition;

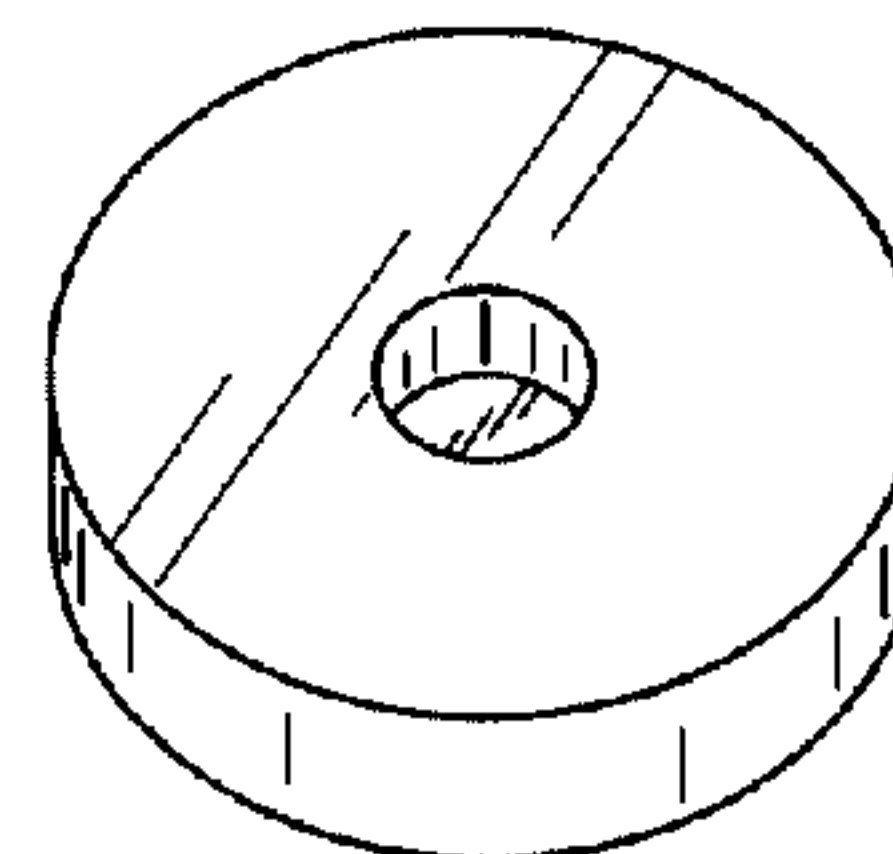
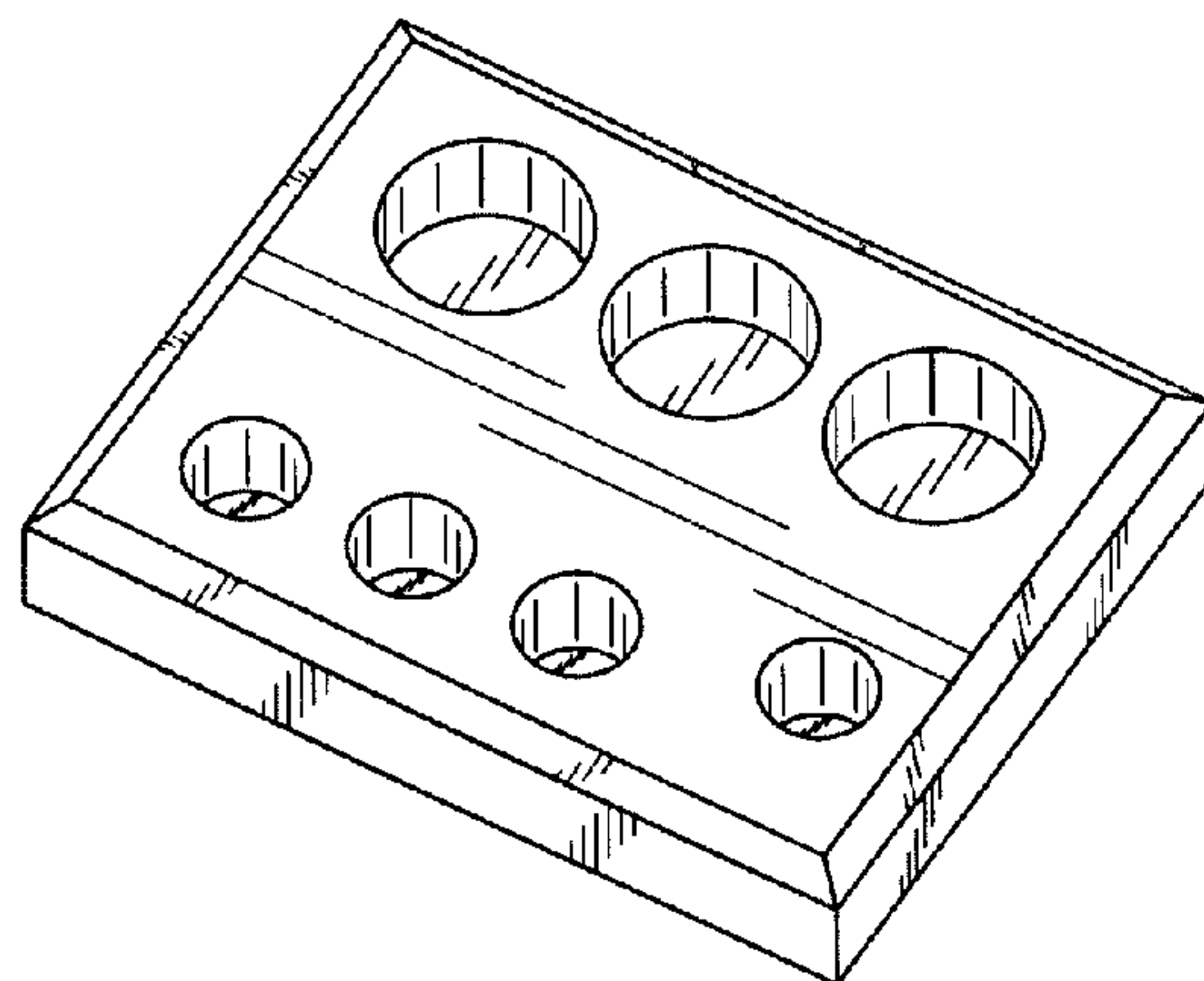
FIG. 2 is a front view thereof, wherein a rear view is a mirror image of the front view;

FIG. 3 is a left-hand side view thereof, wherein a right-hand side view is a mirror image of the left-hand side view;

FIG. 4 is a top view of thereof; and,

FIG. 5 is a bottom view thereof.

1 Claim, 5 Drawing Sheets



(56)

References Cited

OTHER PUBLICATIONS

Natural Wood E-Cigarette E-Cig Ego Vape Stand 5 hole Holder—
Vision Joye Twist <http://www.ebay.com/itm/Natural-Wood-E-Cigarette-E-Cig-Ego-Vape-Stand-5-hole-Holder-Vision-Joye-Twist-/331010593565> (Aug. 28, 2013).

Vapor Stand Set—Cherry—Electronic Cigarette Holders <http://www.amazon.com/Vapor-Stand-Set-Electronic-Cigarette/dp/B00BYGNFB0> (Mar. 22, 2013).

E-Cig Stands <http://www.ecig-stands.com/> (May 28, 2013).

* cited by examiner

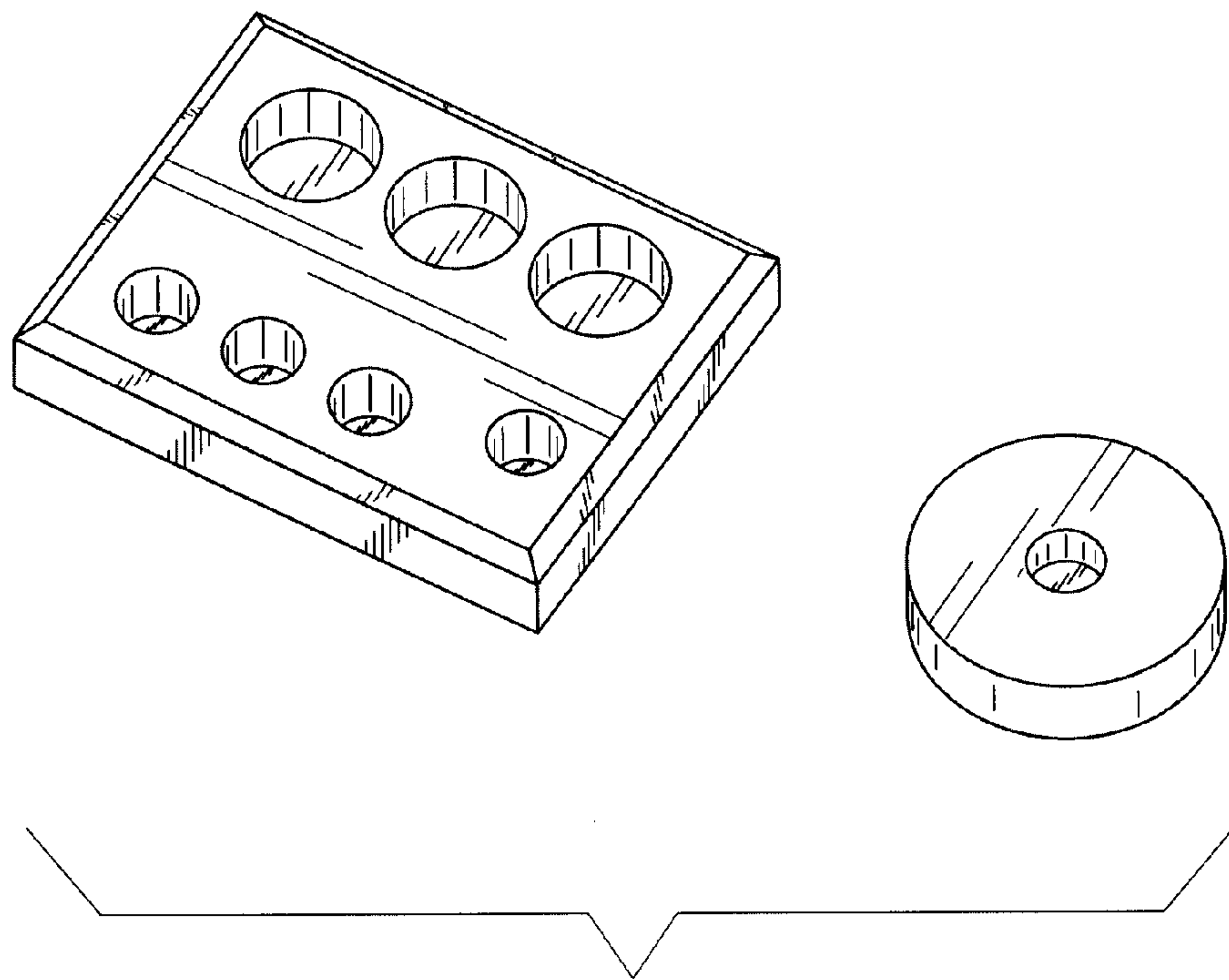


Fig. 1

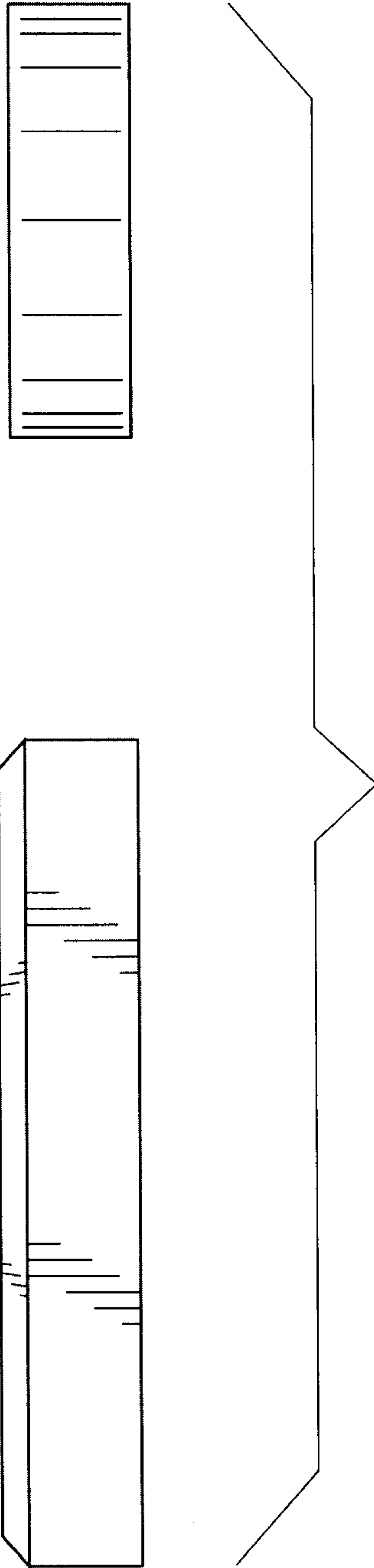


Fig. 2

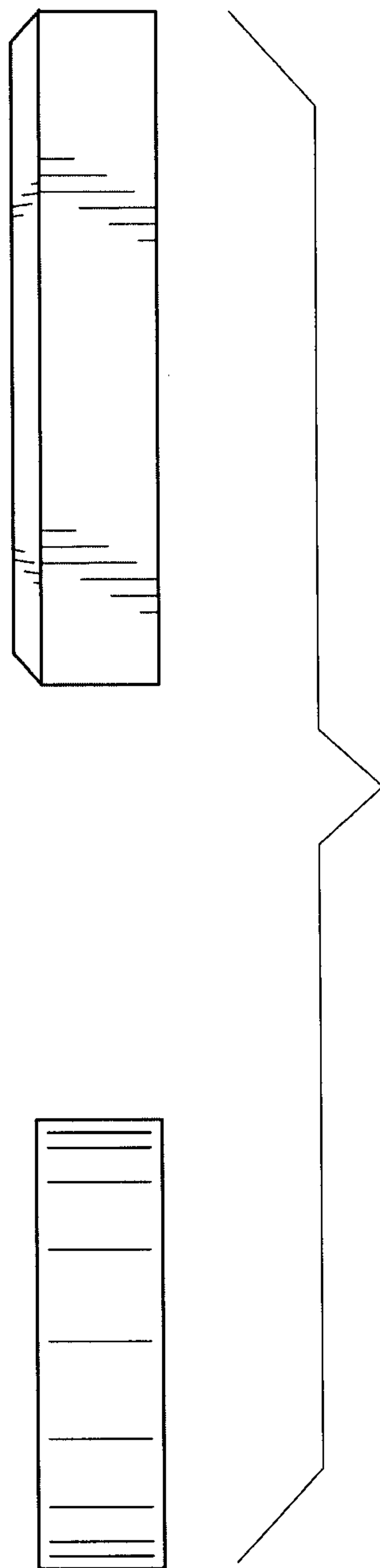


Fig. 3

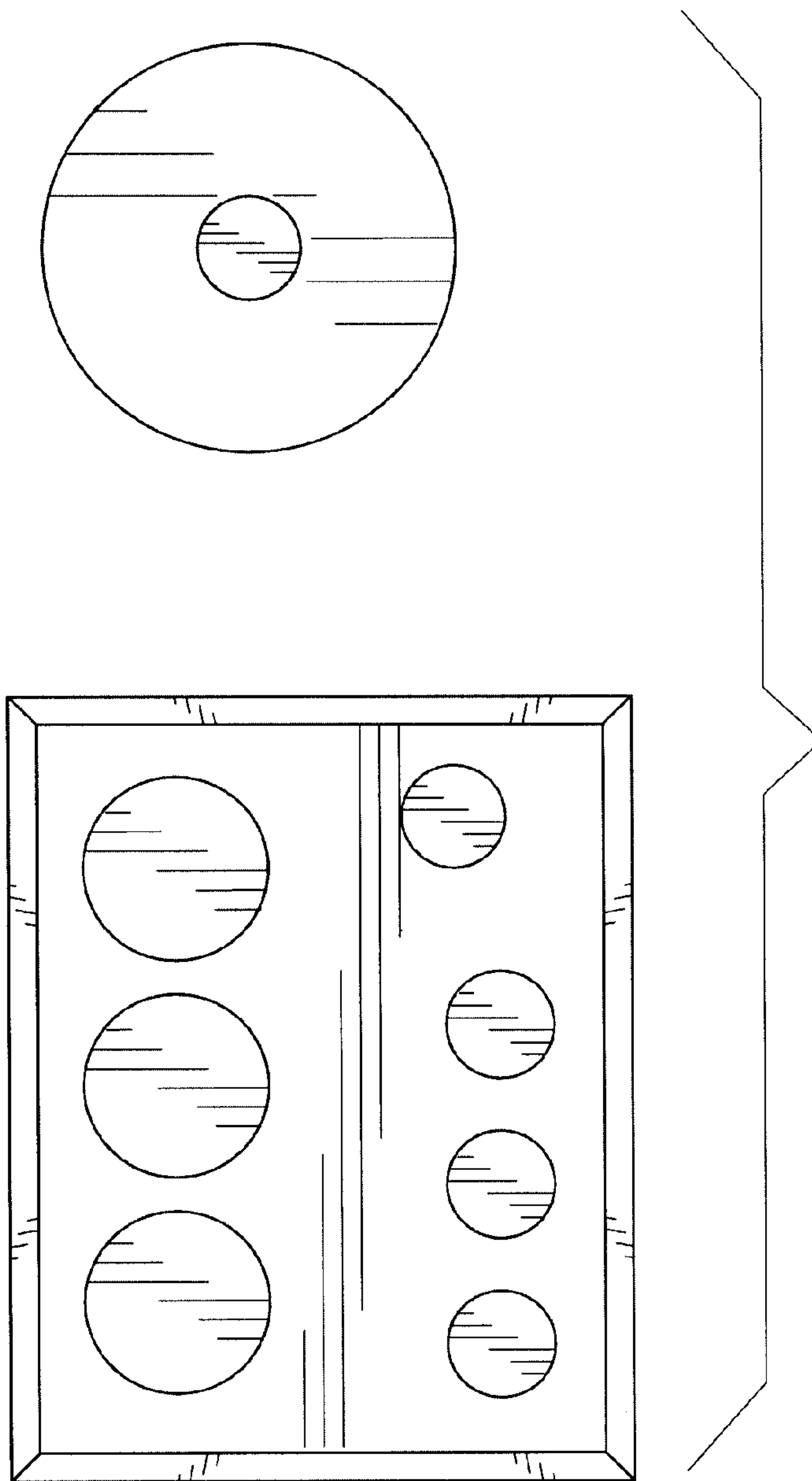


Fig. 4

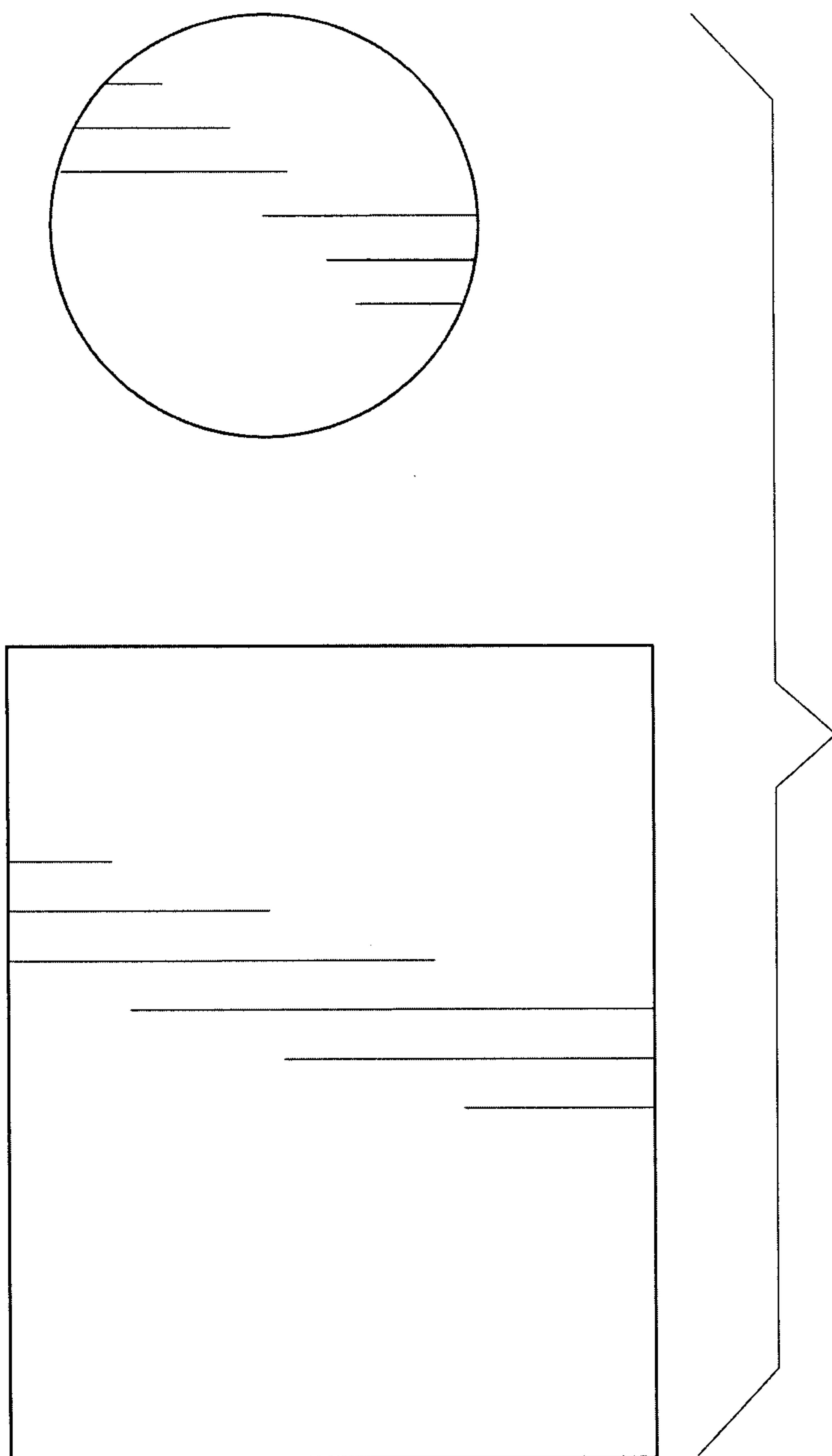


Fig. 5