



US00D744152S

(12) **United States Design Patent**  
**Lee et al.**

(10) **Patent No.:** **US D744,152 S**  
(45) **Date of Patent:** **\*\* Nov. 24, 2015**

(54) **ELECTRIC STAND LIGHT**

(71) Applicants: **Sam-Hyeon Lee**, Seoul (KR); **Plum Science K.K.**, Sapporo (JP)

(72) Inventors: **Sam-Hyeon Lee**, Seoul (KR); **Oliver B. Wright**, Cambridge (GB)

(73) Assignees: **Plum Science K.K.**, Sapporo (JP); **Sam-Hyeon Lee**, Seoul (KR)

(\*\*) Term: **14 Years**

(21) Appl. No.: **29/473,827**

(22) Filed: **Nov. 26, 2013**

(30) **Foreign Application Priority Data**

May 31, 2013 (JP) ..... 2013-013770

(51) **LOC (10) Cl.** ..... **26-03**

(52) **U.S. Cl.**  
USPC ..... **D26/107**

(58) **Field of Classification Search**  
USPC ..... D26/24, 93, 106, 107, 60, 61, 6, 56, 51  
CPC ..... F21S 6/00; F21S 6/002; F21S 6/004;  
F21S 6/008; F21S 8/08; F21V 5/00; F21W  
2121/00; F21W 2131/30

See application file for complete search history.

(56) **References Cited**

U.S. PATENT DOCUMENTS

D147,929 S \* 11/1947 Rudnitzky ..... D26/56  
D168,162 S \* 11/1952 Laque ..... D26/51  
D271,045 S \* 10/1983 Tamblyn ..... D26/93  
D281,725 S \* 12/1985 Schreiner ..... D26/93

\* cited by examiner

*Primary Examiner* — Brian N Vinson

(74) *Attorney, Agent, or Firm* — Grossman Tucker Perreault & Pfleger, PLLC

(57) **CLAIM**

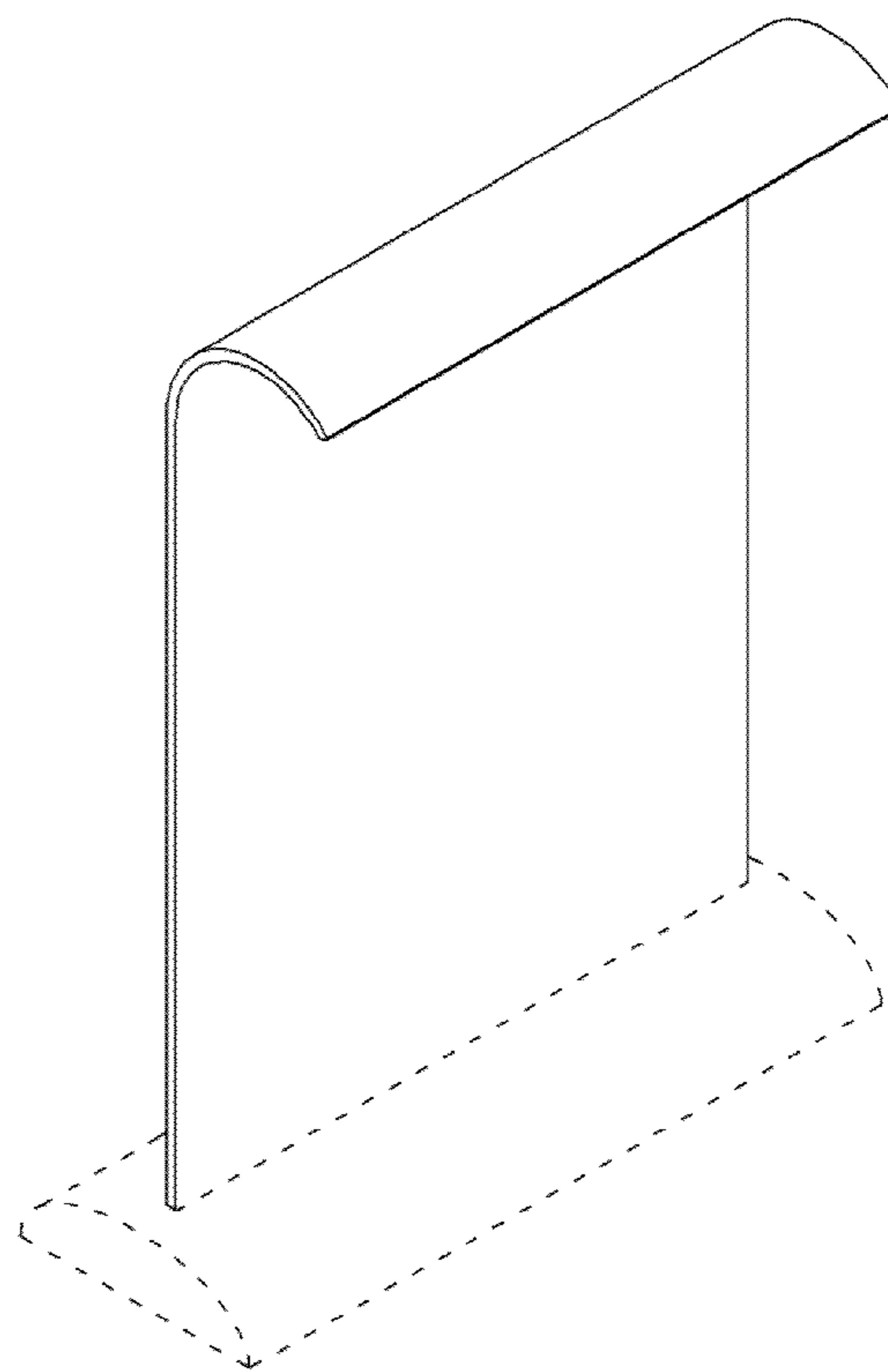
The ornamental design for an electric stand light, as shown and described.

**DESCRIPTION**

FIG. 1 is a perspective view of the electric stand light;  
FIG. 2 is a front view thereof;  
FIG. 3 is a rear view thereof;  
FIG. 4 is a left side view thereof;  
FIG. 5 is a right side view thereof;  
FIG. 6 is a top view thereof; and,  
FIG. 7 is a bottom view thereof.

The broken lines are included for the purpose of illustrating the unclaimed portions of the article, namely, the base of the electric stand light, and form no part of the claim.

**1 Claim, 5 Drawing Sheets**



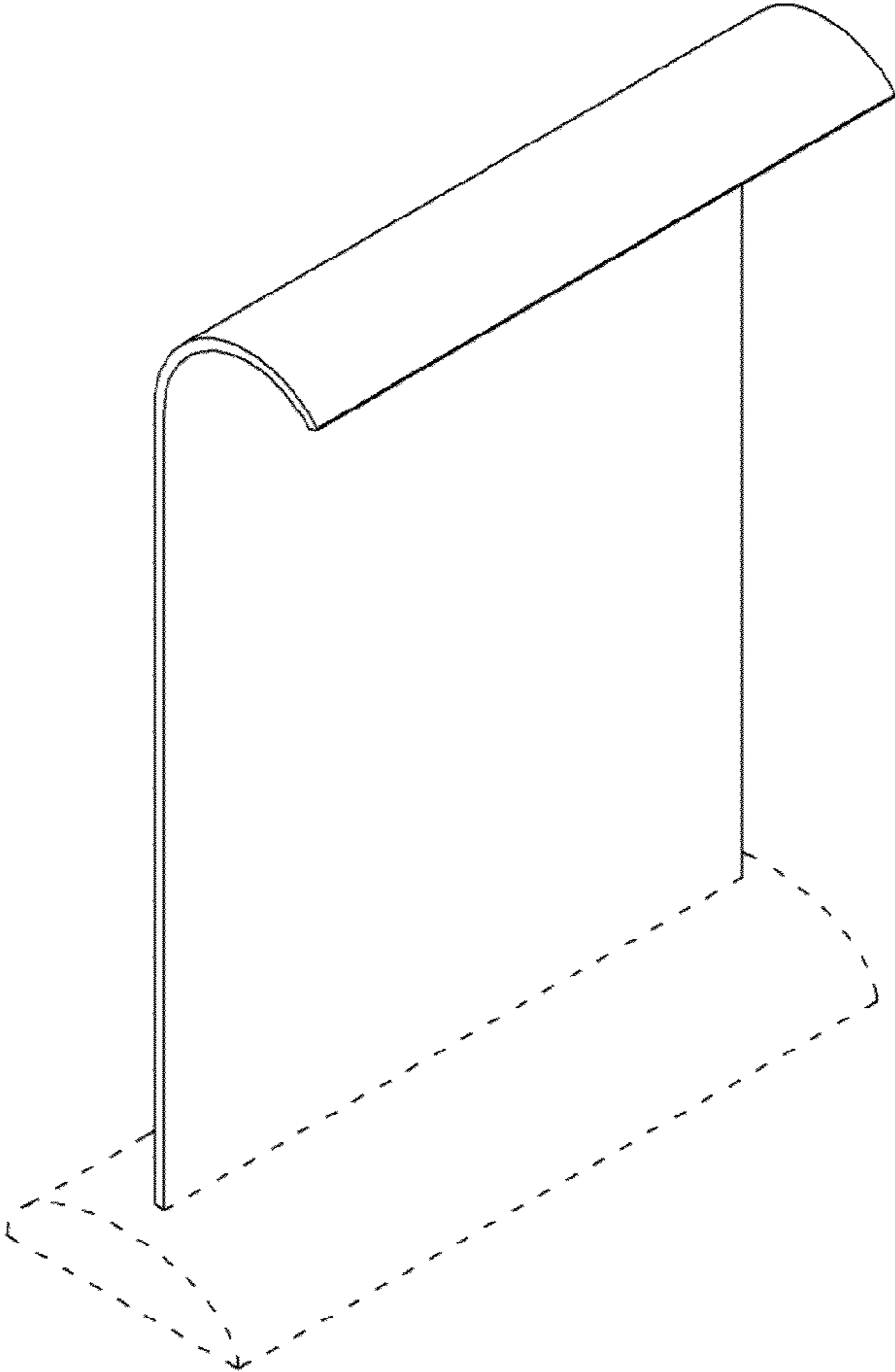


FIG. 1

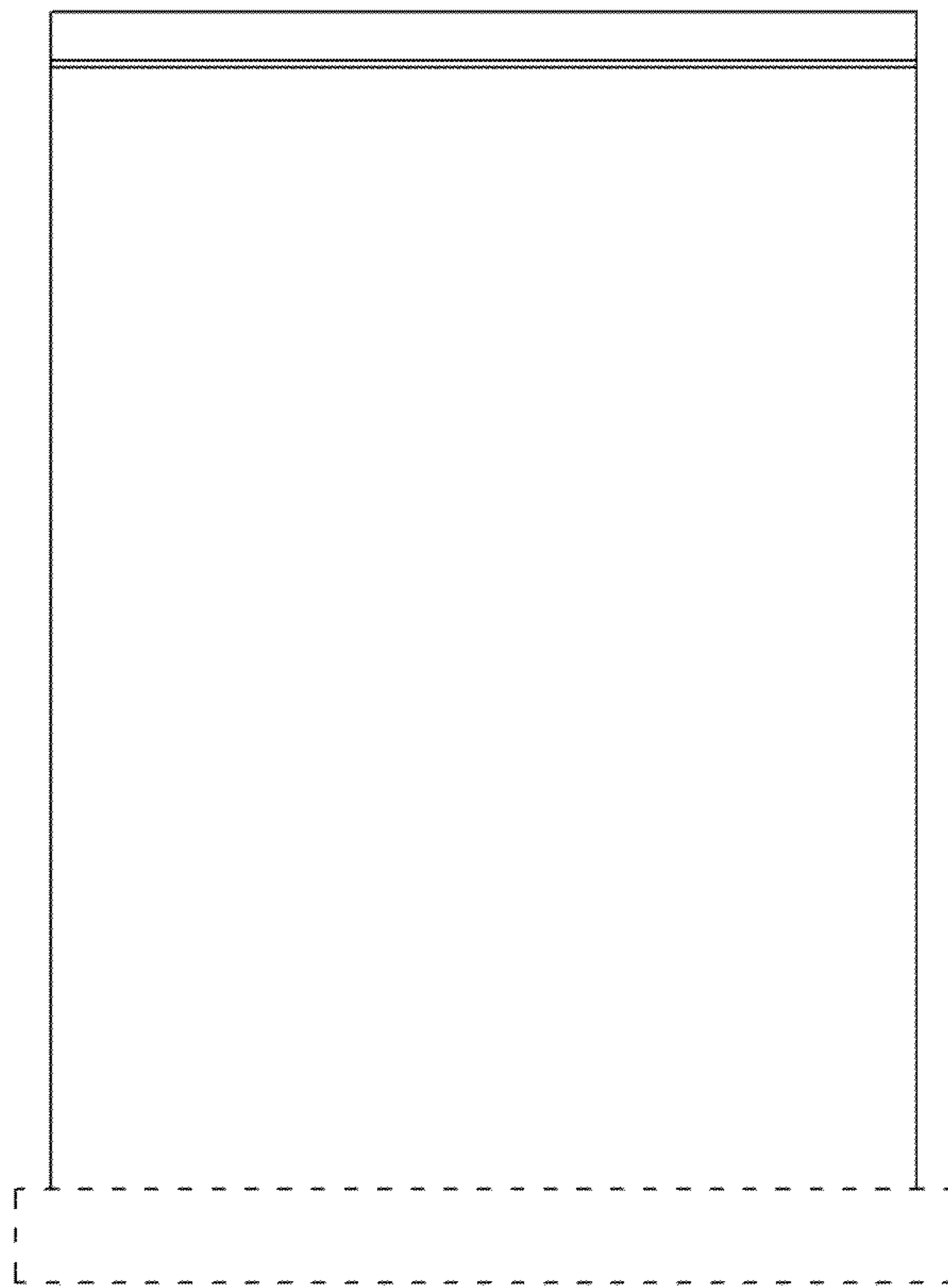
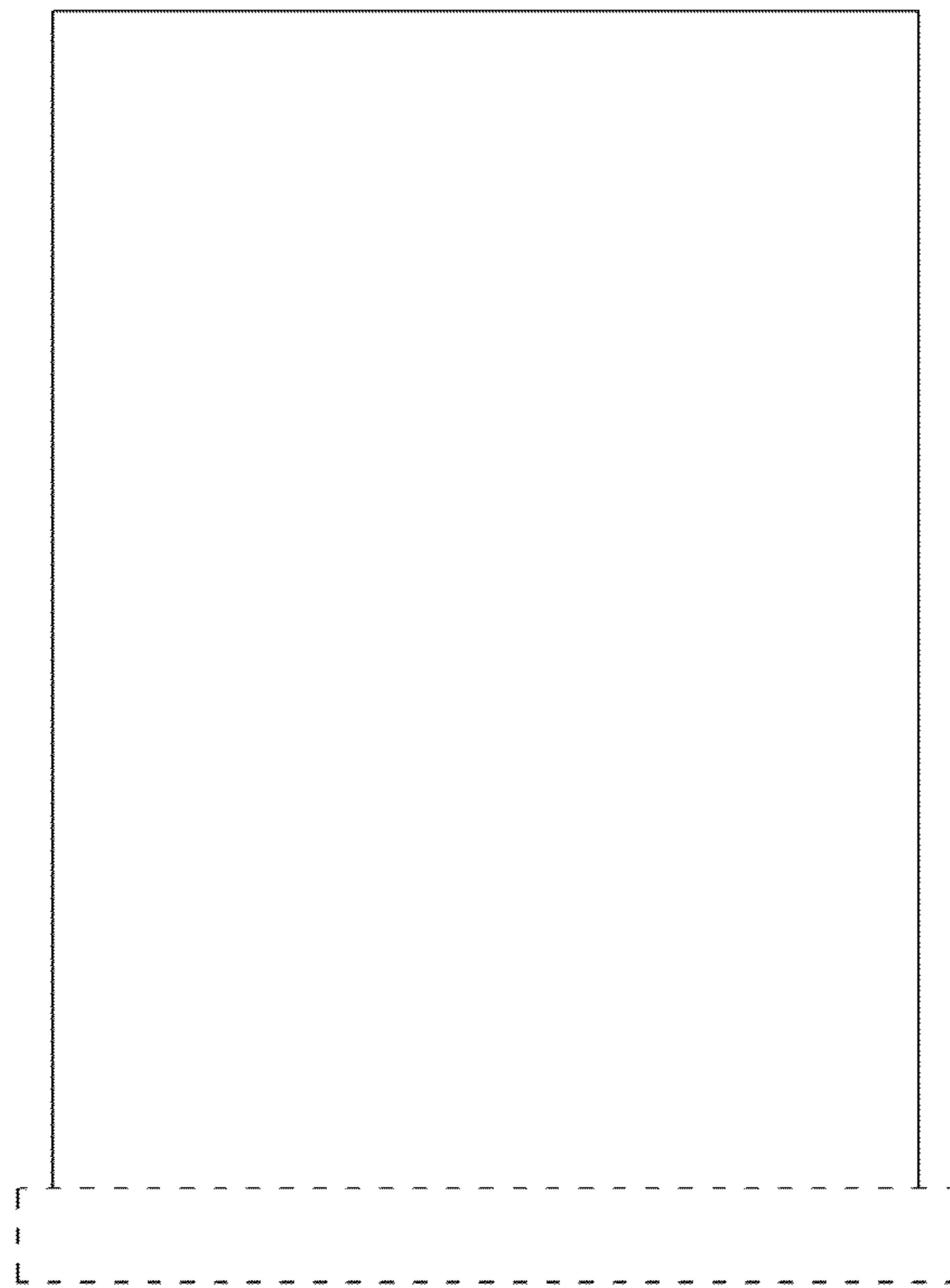


FIG. 2



**FIG. 3**

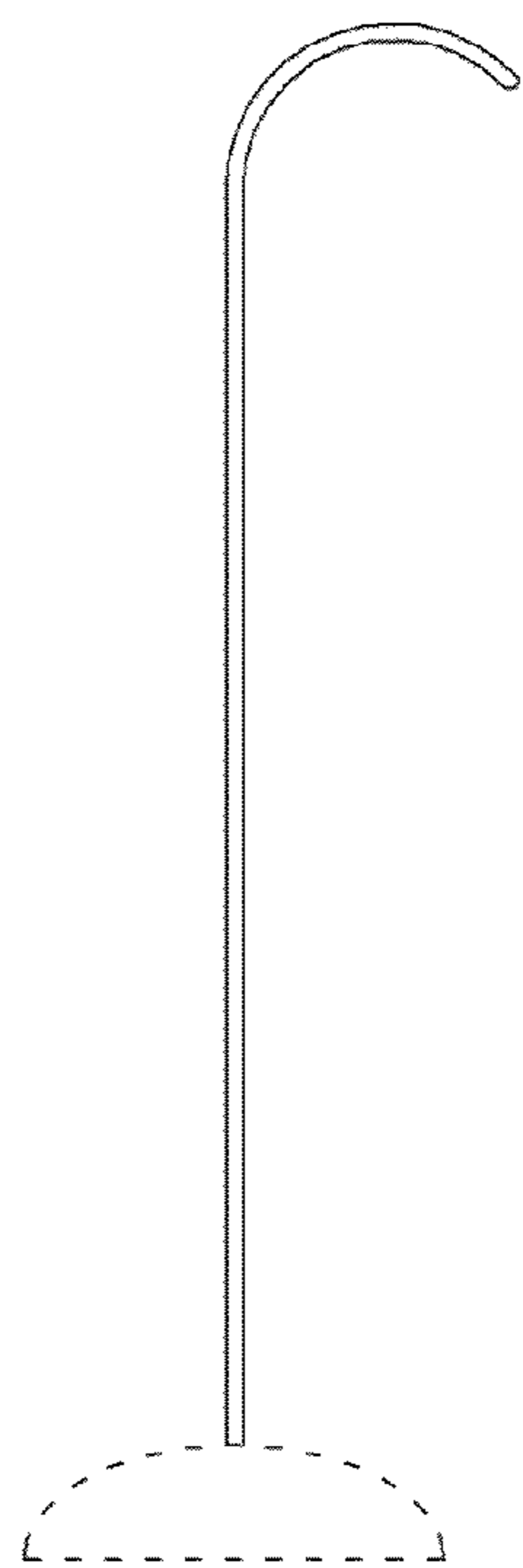


FIG. 4

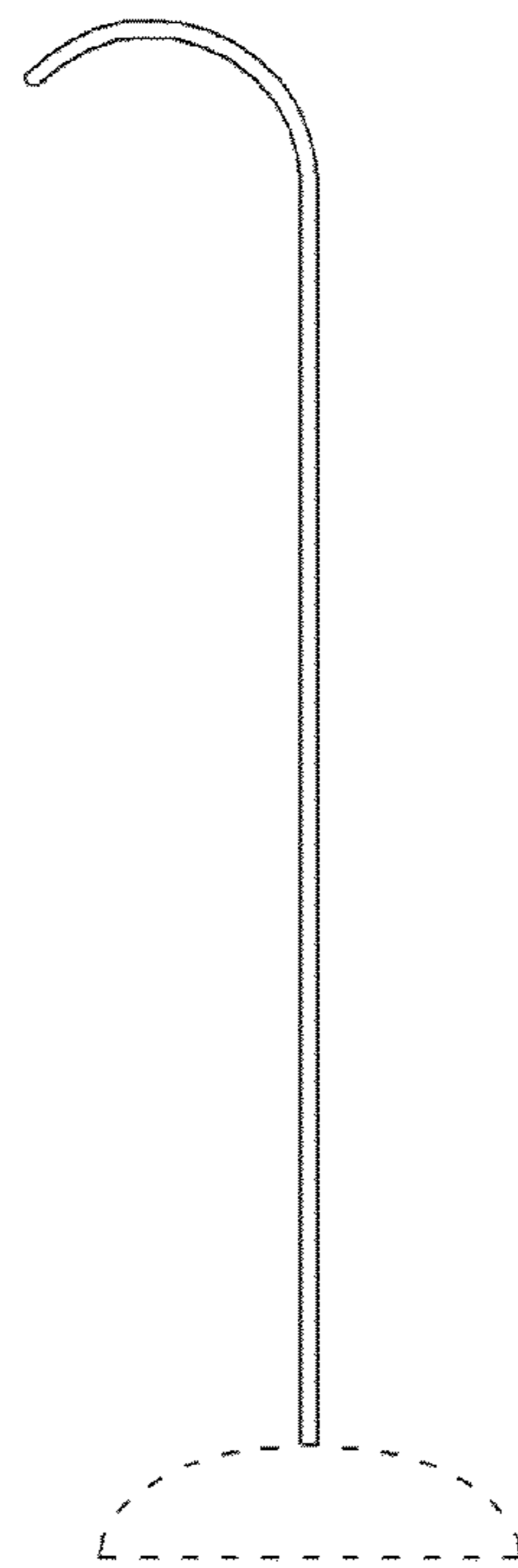
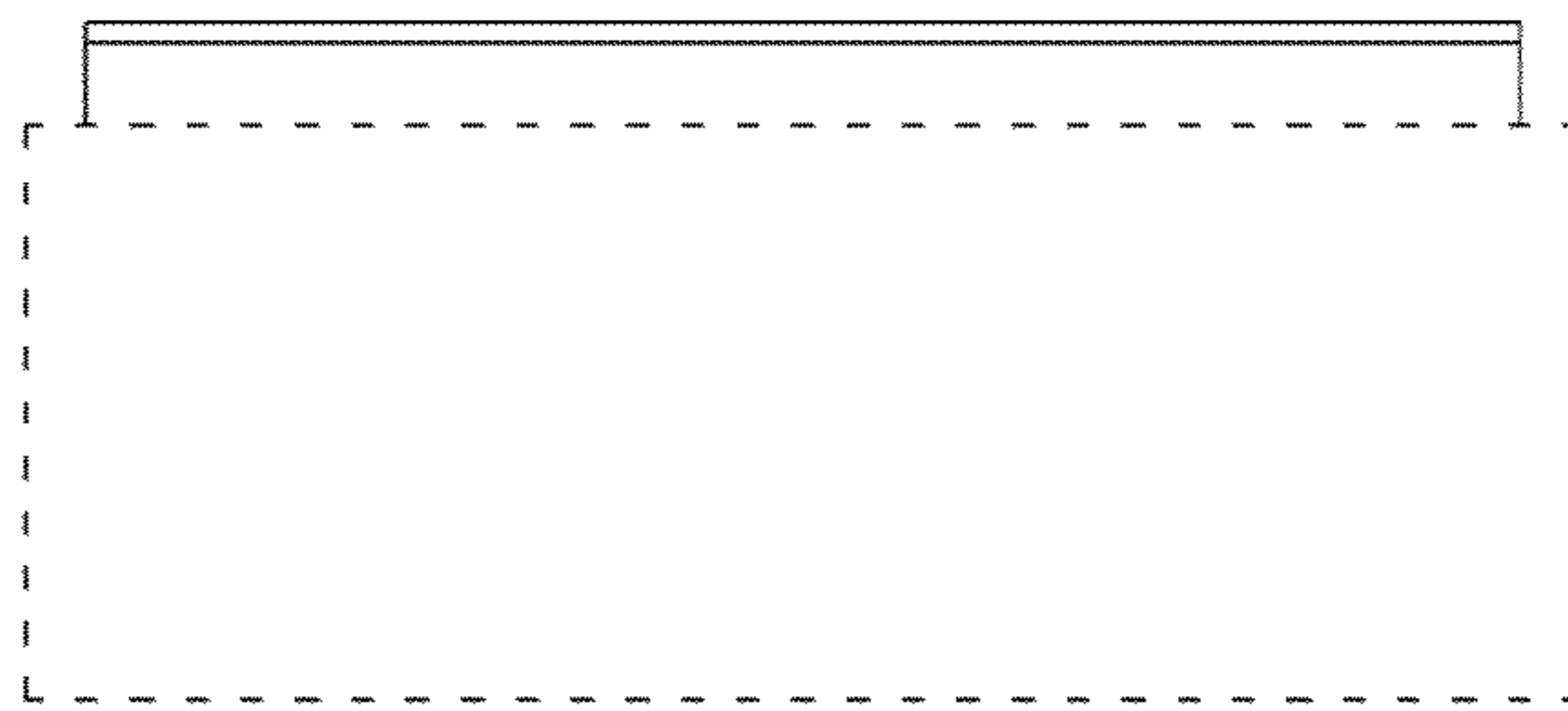


FIG. 5



**FIG. 6**



**FIG. 7**