



US00D744148S

(12) **United States Design Patent**  
**Bobel**

(10) **Patent No.:** **US D744,148 S**

(45) **Date of Patent:** **\*\* \*Nov. 24, 2015**

(54) **LIGHT FIXTURE**

(71) Applicant: **Neptun Light, Inc.**, Lake Forest, IL (US)

(72) Inventor: **Andrzej Bobel**, Lake Forest, IL (US)

(73) Assignee: **Neptun Light, Inc.**, Lake Forest, IL (US)

(\*) Notice: This patent is subject to a terminal disclaimer.

(\*\*) Term: **14 Years**

(21) Appl. No.: **29/521,029**

(22) Filed: **Mar. 19, 2015**

**Related U.S. Application Data**

(63) Continuation of application No. 29/494,087, filed on Jun. 17, 2014.

(51) **LOC (10) Cl.** ..... **26-03**

(52) **U.S. Cl.**  
USPC ..... **D26/92**

(58) **Field of Classification Search**  
USPC ..... D26/69, 70, 71, 72, 85, 92, 118;  
362/431, 432

CPC ..... F21V 15/01; F21V 17/107; F21V 19/02;  
F21S 8/033; F21S 8/043; F21S 8/085; F21S  
8/086; F21S 8/088; F21W 2131/103; F21W  
2131/107

See application file for complete search history.

(56) **References Cited**

**U.S. PATENT DOCUMENTS**

D294,066 S \* 2/1988 Ewing et al. .... D26/71  
7,150,542 B1 \* 12/2006 Russello et al. .... 362/285  
D562,491 S \* 2/2008 DiCola ..... D26/85  
7,401,939 B2 \* 7/2008 Haugaard et al. .... 362/147

D634,878 S \* 3/2011 Guercio et al. .... D26/85  
D653,377 S \* 1/2012 Guercio ..... D26/85  
D676,174 S \* 2/2013 Akinrele et al. .... D26/71  
D676,177 S \* 2/2013 Akinrele et al. .... D26/71  
D689,233 S \* 9/2013 Boissevain et al. .... D26/71  
D694,452 S \* 11/2013 Goelz et al. .... D26/71  
2008/0080196 A1 \* 4/2008 Ruud et al. .... 362/373  
2008/0101063 A1 \* 5/2008 Koike et al. .... 362/231  
2010/0135008 A1 \* 6/2010 Teng ..... 362/227  
2011/0032697 A1 \* 2/2011 Hu et al. .... 362/190  
2012/0218769 A1 \* 8/2012 Van Horn et al. .... 362/370  
2013/0027937 A1 \* 1/2013 Winters ..... 362/249.01  
2013/0083521 A1 \* 4/2013 Fang et al. .... 362/235  
2013/0121006 A1 \* 5/2013 Moshtagh ..... 362/373  
2013/0250556 A1 \* 9/2013 Gordin et al. .... 362/147  
2014/0043817 A1 \* 2/2014 Zhang et al. .... 362/249.02  
2014/0104836 A1 \* 4/2014 Kinnune et al. .... 362/249.02  
2014/0192529 A1 \* 7/2014 Wilcox ..... 362/244  
2014/0218944 A1 \* 8/2014 Hobson et al. .... 362/418

\* cited by examiner

*Primary Examiner* — Clare E Heflin

(74) *Attorney, Agent, or Firm* — Adam S. Bobel

(57) **CLAIM**

The ornamental design for a light fixture, as shown and described.

**DESCRIPTION**

FIG. 1 is a top side view of light fixture showing the claimed design;

FIG. 2 is a bottom side view thereof;

FIG. 3 is a right side view thereof;

FIG. 4 is a left side view thereof;

FIG. 5 is a rear side view thereof;

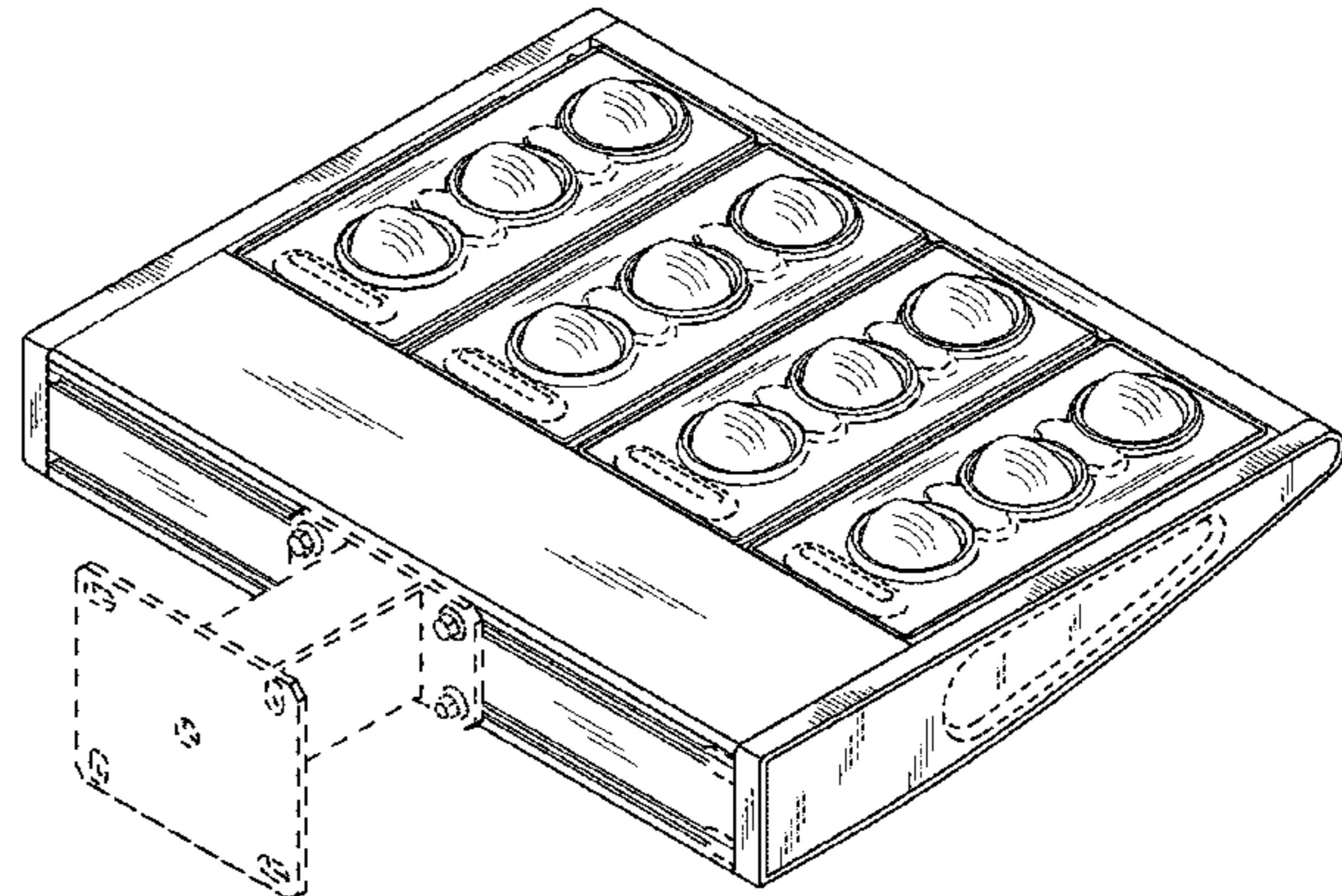
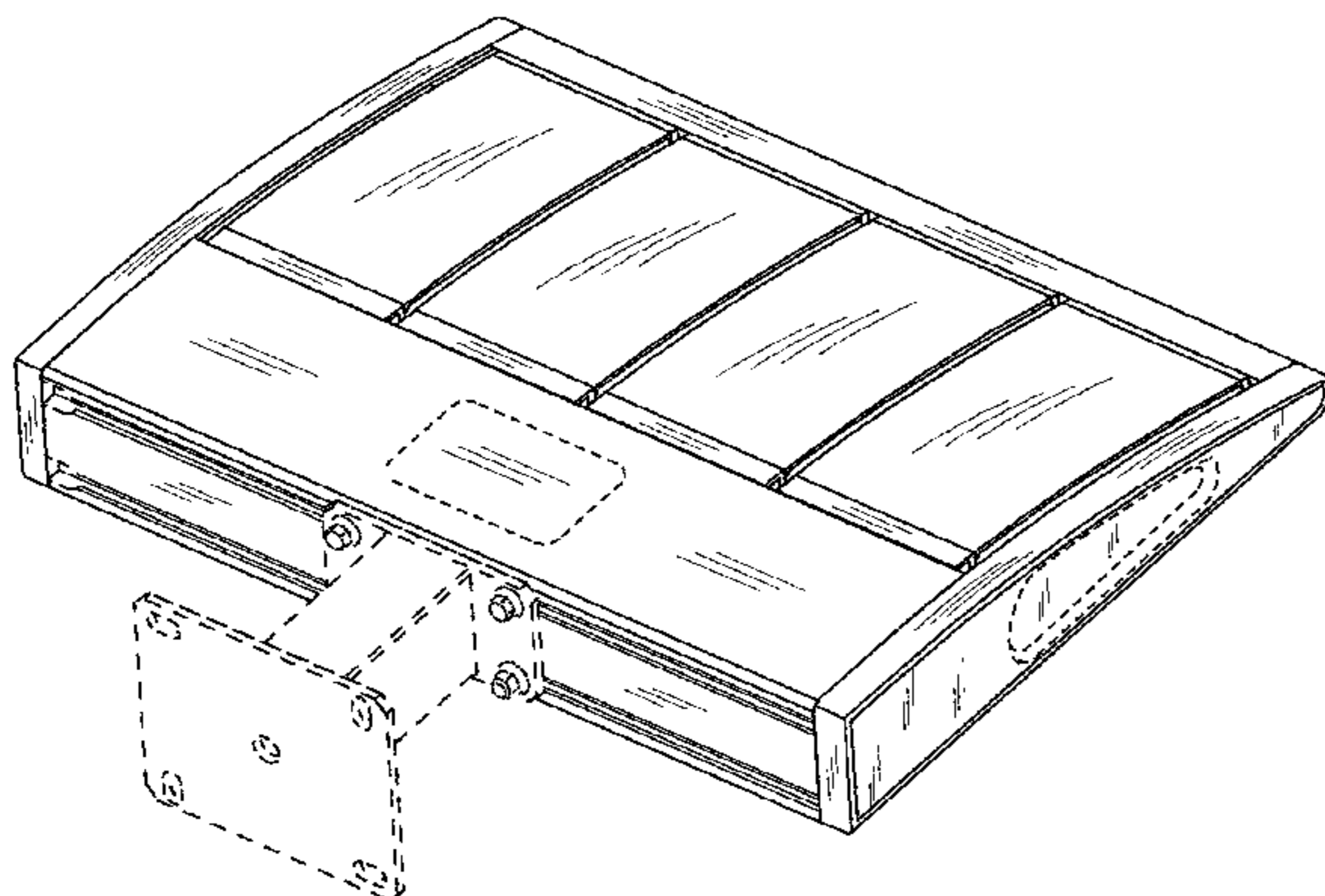
FIG. 6 is a front view thereof;

FIG. 7 is a bottom perspective view thereof; and,

FIG. 8 is a top perspective view thereof.

The broken lines are included for the purpose of illustrating environmental structure. The broken lines form no part of the claimed design.

**1 Claim, 8 Drawing Sheets**



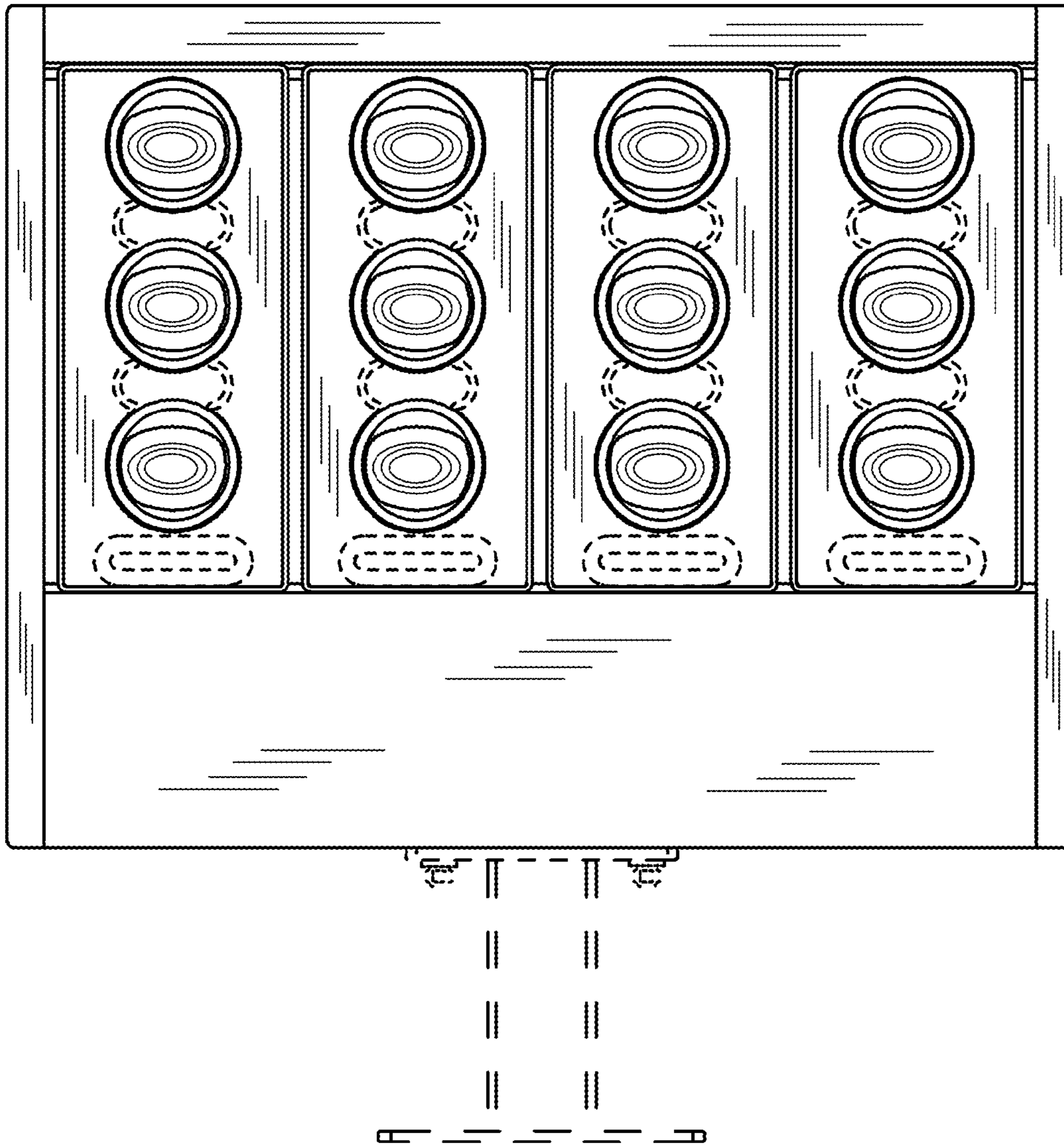


Fig. 1

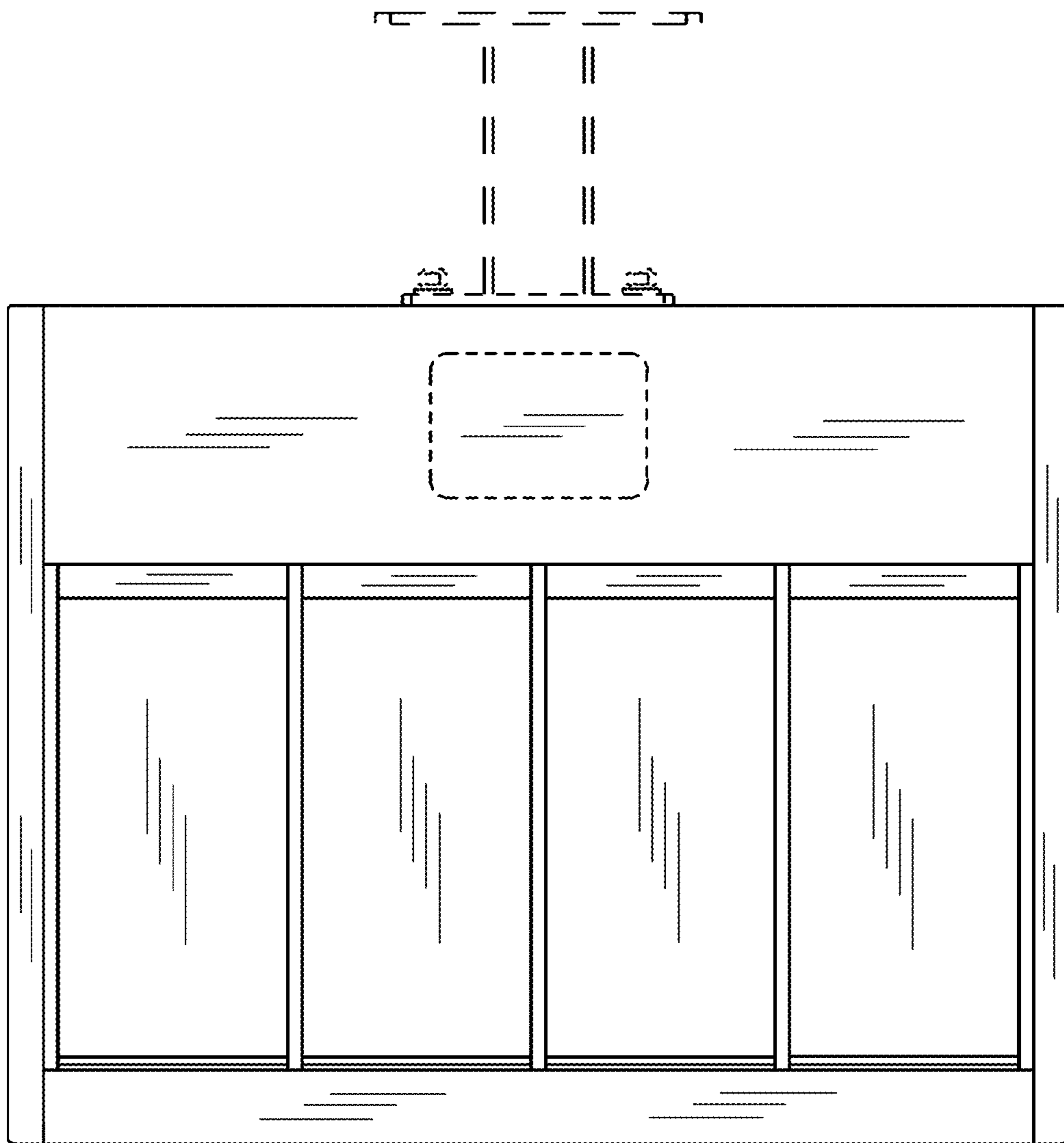


Fig. 2

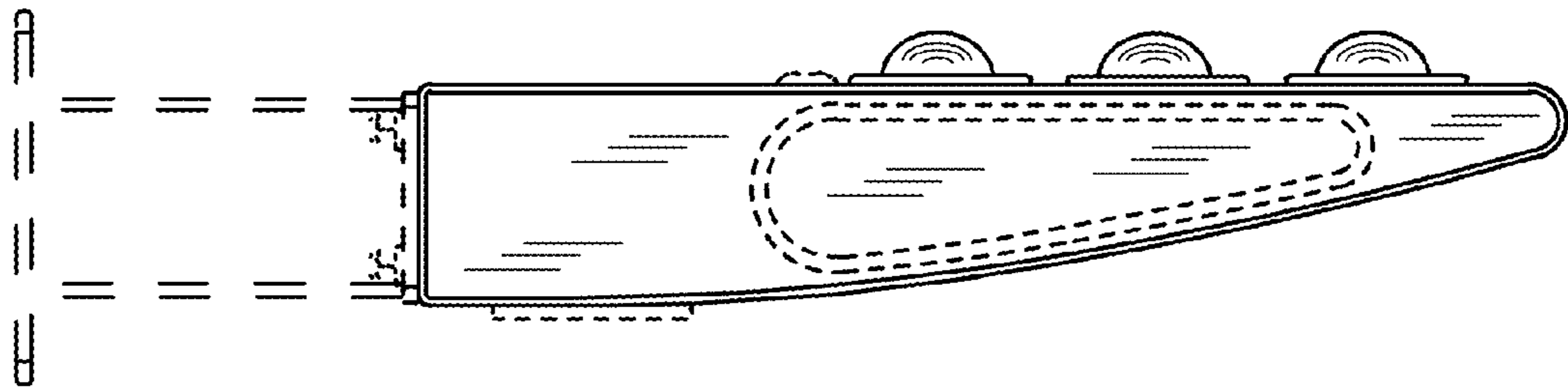


Fig. 3

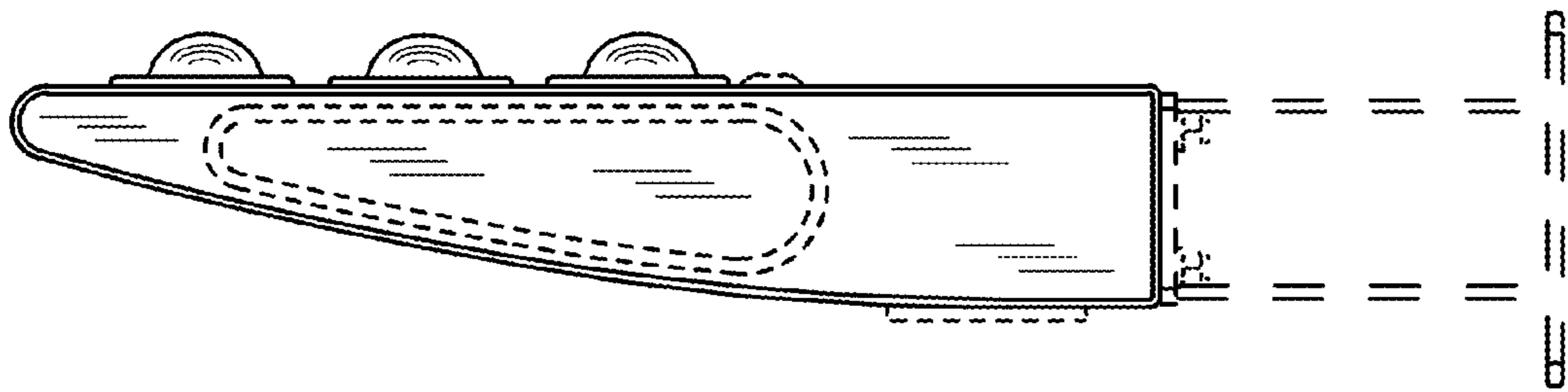


Fig. 4

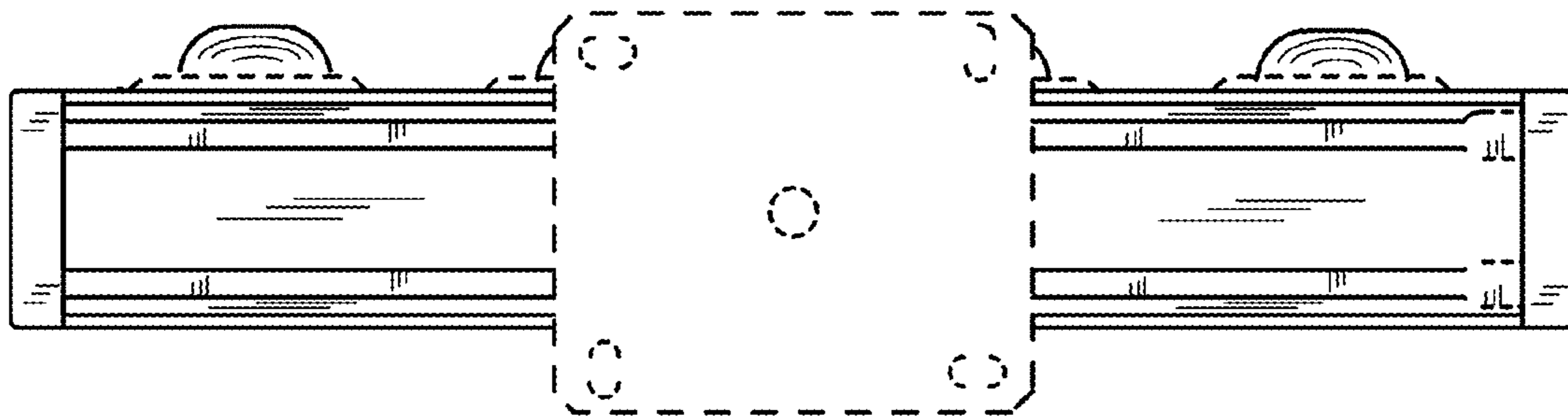


Fig. 5

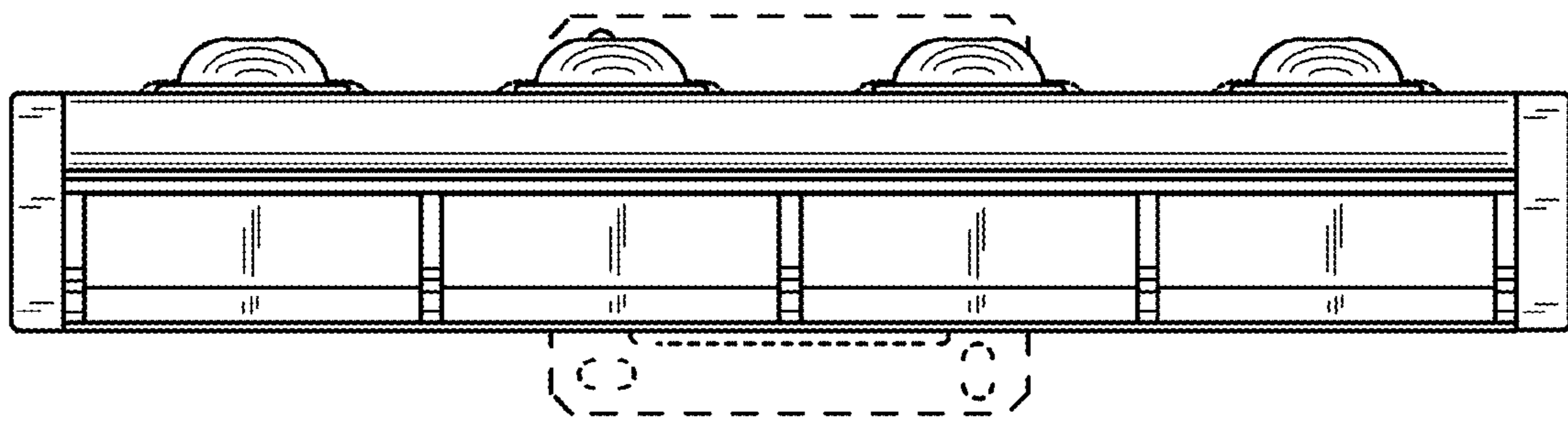


Fig. 6

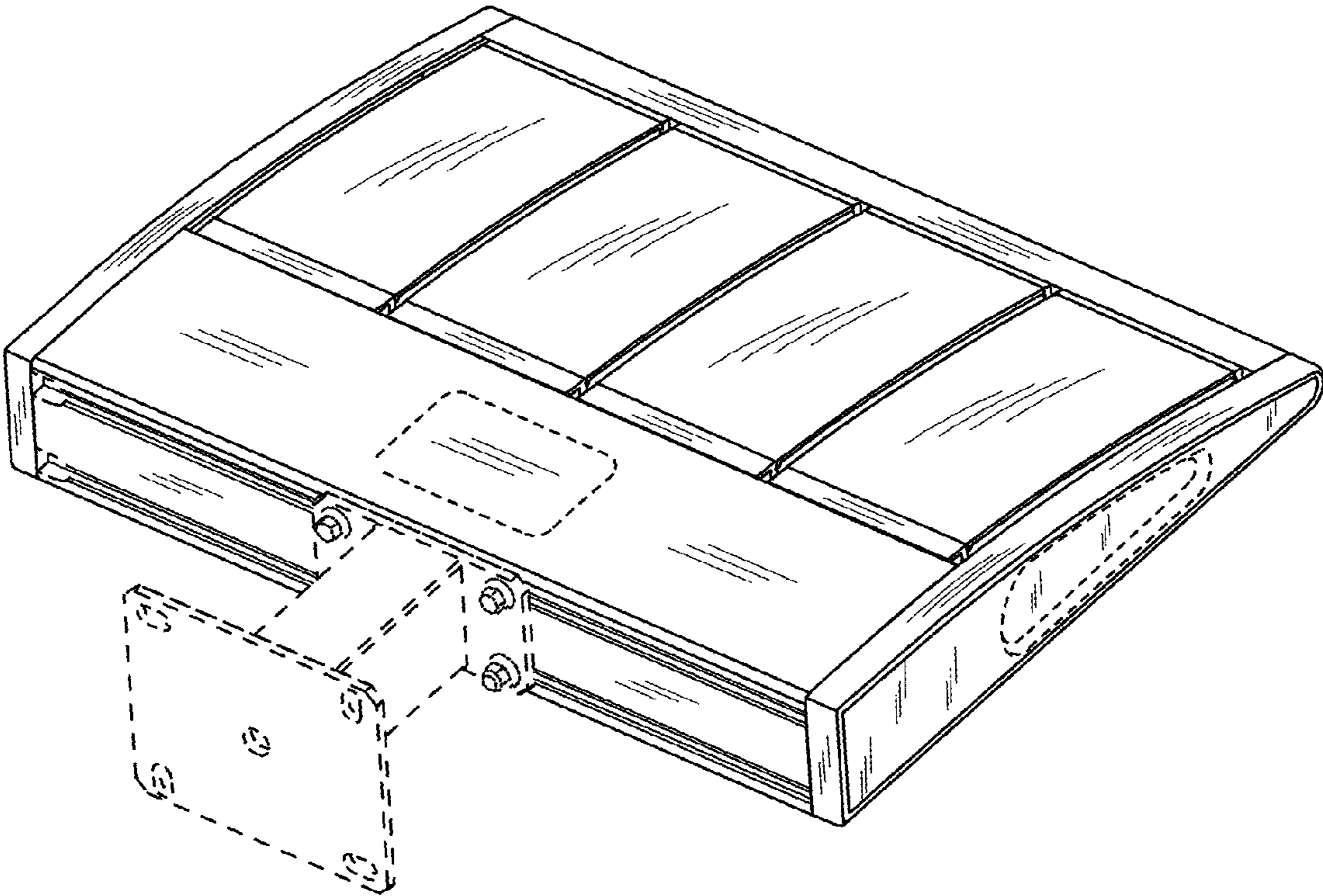


Fig. 7



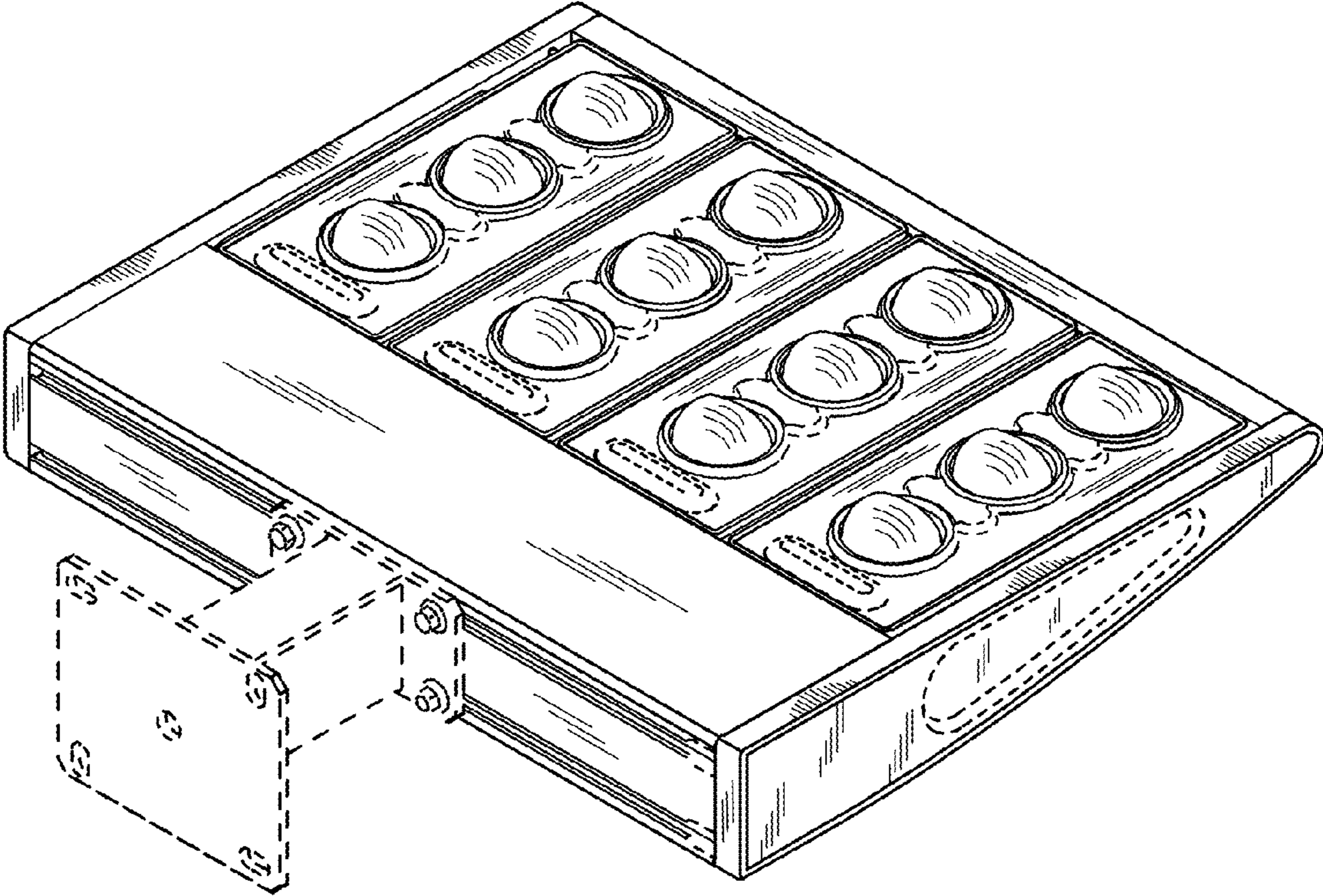


Fig. 8