



US00D744147S

(12) **United States Design Patent**
Ehrler et al.

(10) **Patent No.:** **US D744,147 S**

(45) **Date of Patent:** **** *Nov. 24, 2015**

(54) **LIGHT**

(71) Applicant: **R. Stahl Schaltgeräte GmbH,**
Waldenburg (DE)

(72) Inventors: **Uwe Ehrler,** Künzelsau-Amrichshausen
(DE); **Falk Thürmer,** Künzelsau (DE)

(73) Assignee: **R. STAHL SCHALTGERÄTE**
GMBH, Waldenburg (DE)

(*) Notice: This patent is subject to a terminal disclaimer.

(**) Term: **14 Years**

(21) Appl. No.: **29/486,432**

(22) Filed: **Mar. 28, 2014**

(30) **Foreign Application Priority Data**

Sep. 30, 2013 (EM) 002317784

(51) **LOC (10) Cl.** **26-03**

(52) **U.S. Cl.**
USPC **D26/89**

(58) **Field of Classification Search**
USPC D26/72, 76, 80, 85, 89, 118, 128;
362/147, 235, 311.01, 311.02, 545,
362/546, 432

See application file for complete search history.

(56) **References Cited**

U.S. PATENT DOCUMENTS

D101,406 S * 9/1936 Schulte D26/85
D110,165 S * 6/1938 Arenberg D26/85
2,149,635 A * 3/1939 Shepard et al. 362/490

(Continued)

Primary Examiner — Clare E Heflin

(74) *Attorney, Agent, or Firm* — Fitch, Even, Tabin & Flannery LLP

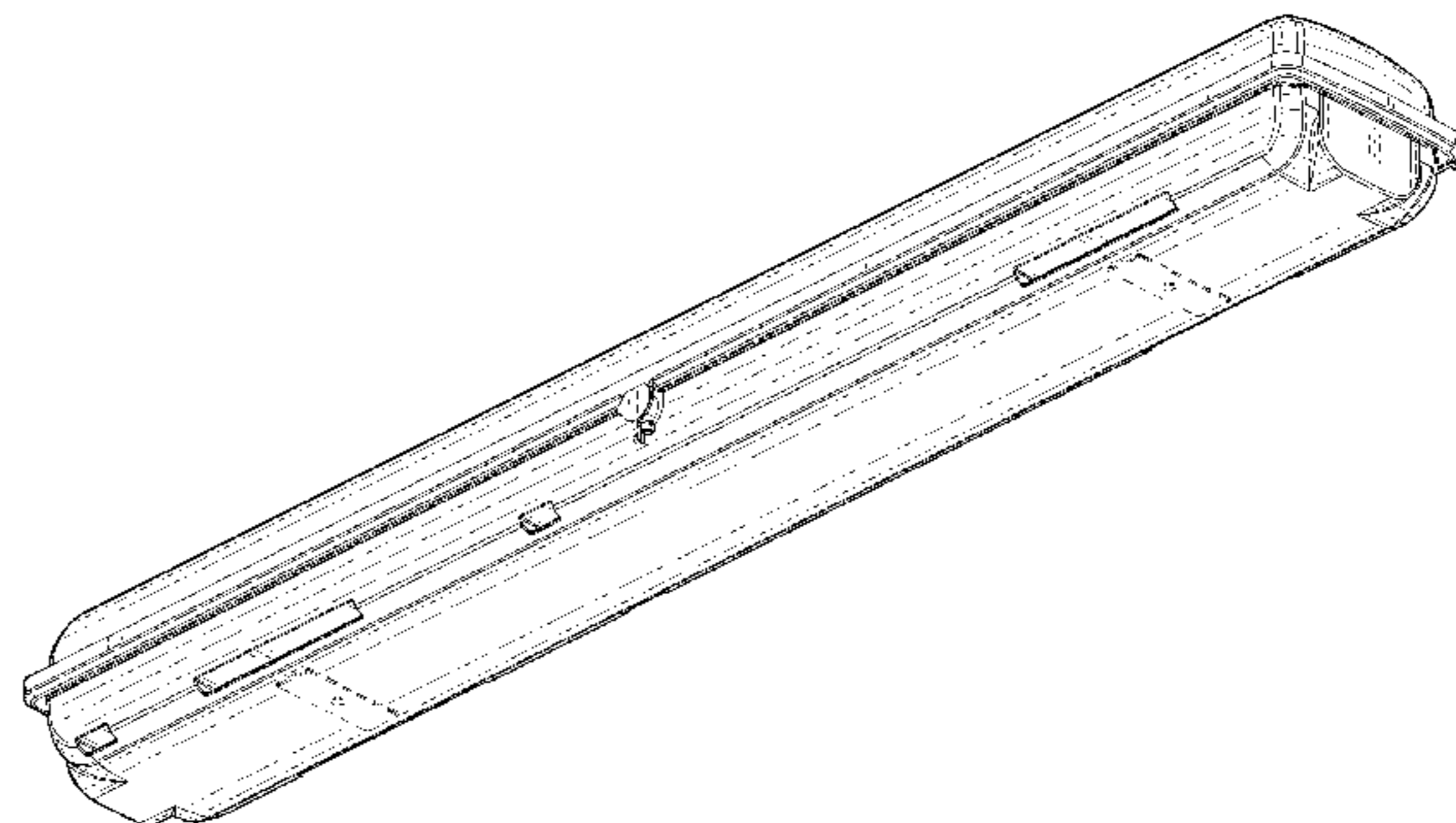
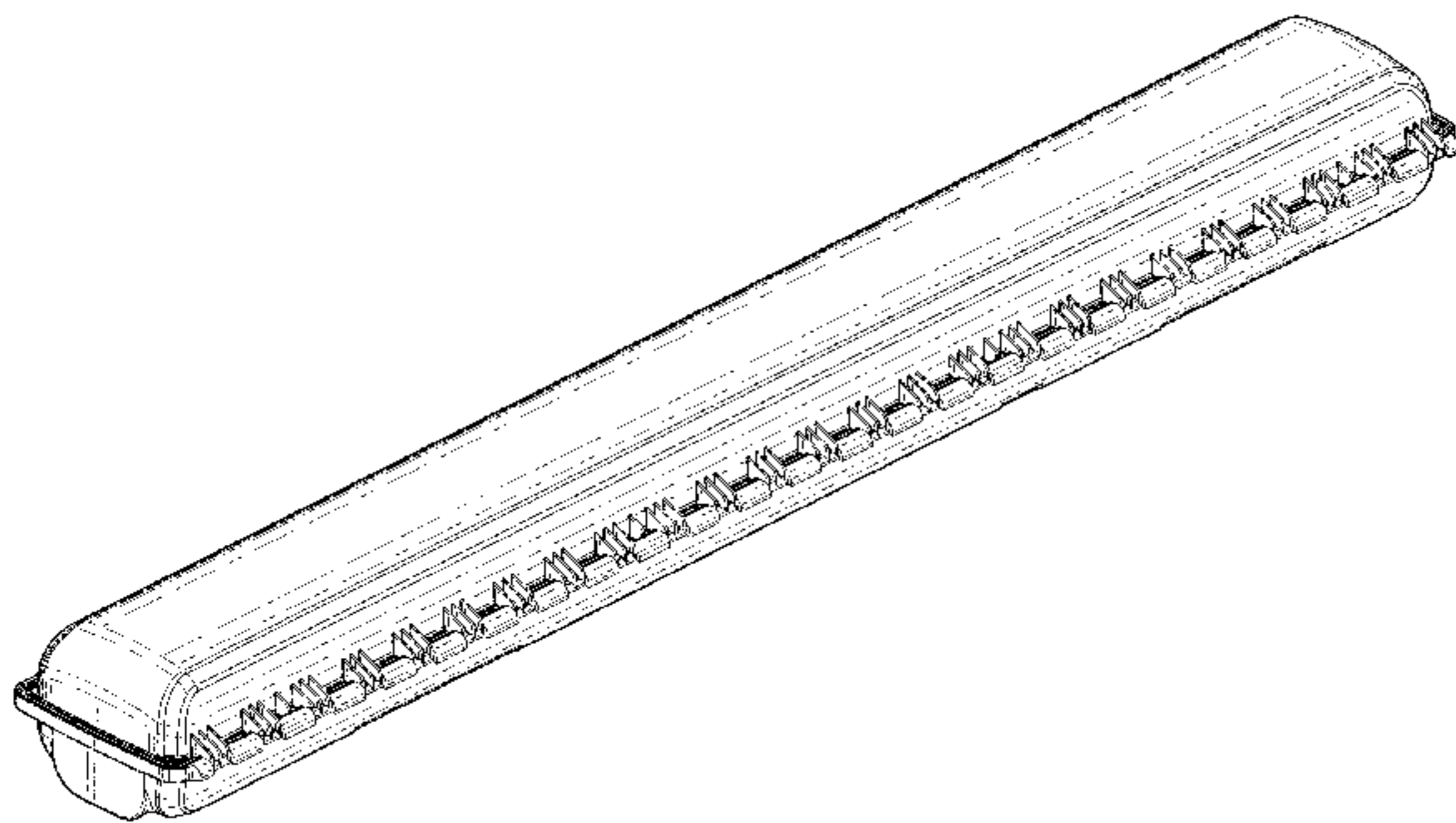
(57) **CLAIM**

We claim the ornamental design for a light, as shown and described.

DESCRIPTION

FIG. 1 is a top perspective view of a first embodiment of our new design comprising a light;
FIG. 2 is a bottom perspective view of the light of FIG. 1;
FIG. 3 is a top view of the light of FIG. 1;
FIG. 4 is a bottom view of the light of FIG. 1;
FIG. 5 is a front view of the light of FIG. 1;
FIG. 6 is a back view of the light of FIG. 1;
FIG. 7 is a right side view of the light of FIG. 1;
FIG. 8 is a left side view of the light of FIG. 1;
FIG. 9 is a top perspective view of a second embodiment of our new design comprising a light;
FIG. 10 is a bottom perspective view of the light of FIG. 9;
FIG. 11 is a top view of the light of FIG. 9;
FIG. 12 is a bottom view of the light of FIG. 9;
FIG. 13 is a front view of the light of FIG. 9;
FIG. 14 is a back view of the light of FIG. 9;
FIG. 15 is a right side view of the light of FIG. 9; and,
FIG. 16 is a left side view of the light of FIG. 9.
The broken lines shown in the drawings are for illustrative purposes only and form no part of the claimed design.

1 Claim, 10 Drawing Sheets



(56)

References Cited

U.S. PATENT DOCUMENTS

D127,890 S *	6/1941	Ohm	D26/76	D589,199 S *	3/2009	Pedersen	D26/85
D177,918 S *	6/1956	Meyer	D26/77	D589,638 S *	3/2009	Collins	D26/72
D180,531 S *	6/1957	Stevens	D26/128	D606,229 S *	12/2009	Johansen et al.	D26/80
D180,537 S *	6/1957	Stevens	D26/76	D649,673 S *	11/2011	Liang et al.	D26/72
D579,138 S *	10/2008	Ghini	D26/76	D650,507 S *	12/2011	Osiecki et al.	D26/72
D579,139 S *	10/2008	Ghini	D26/76	D665,524 S *	8/2012	Bush et al.	D26/76
D584,844 S *	1/2009	Ghini	D26/76	D674,529 S *	1/2013	Hirai et al.	D26/85
					D717,483 S *	11/2014	Barnes et al.	D26/72
					2011/0058367 A1 *	3/2011	Shiau et al.	362/218

* cited by examiner

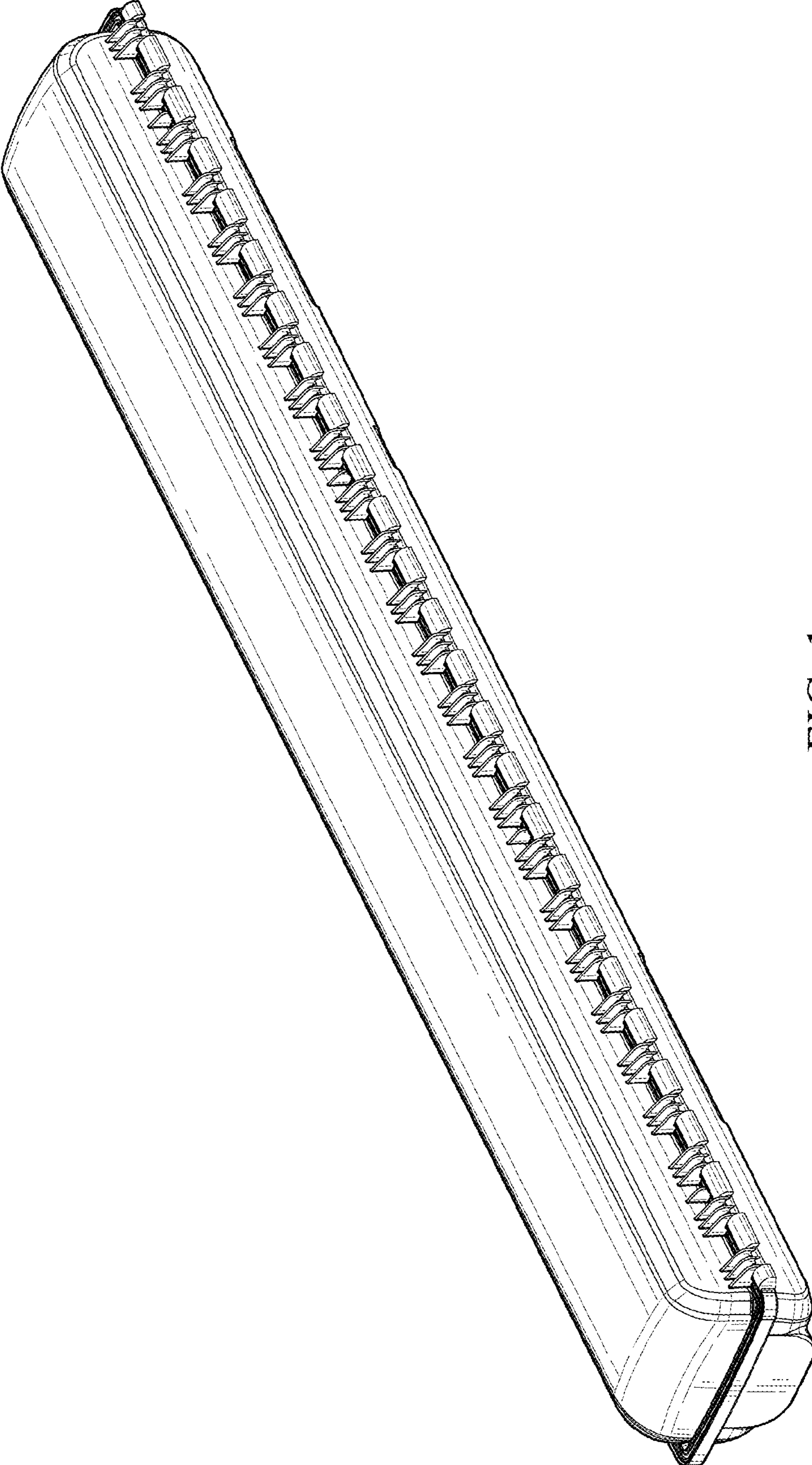


FIG. 1

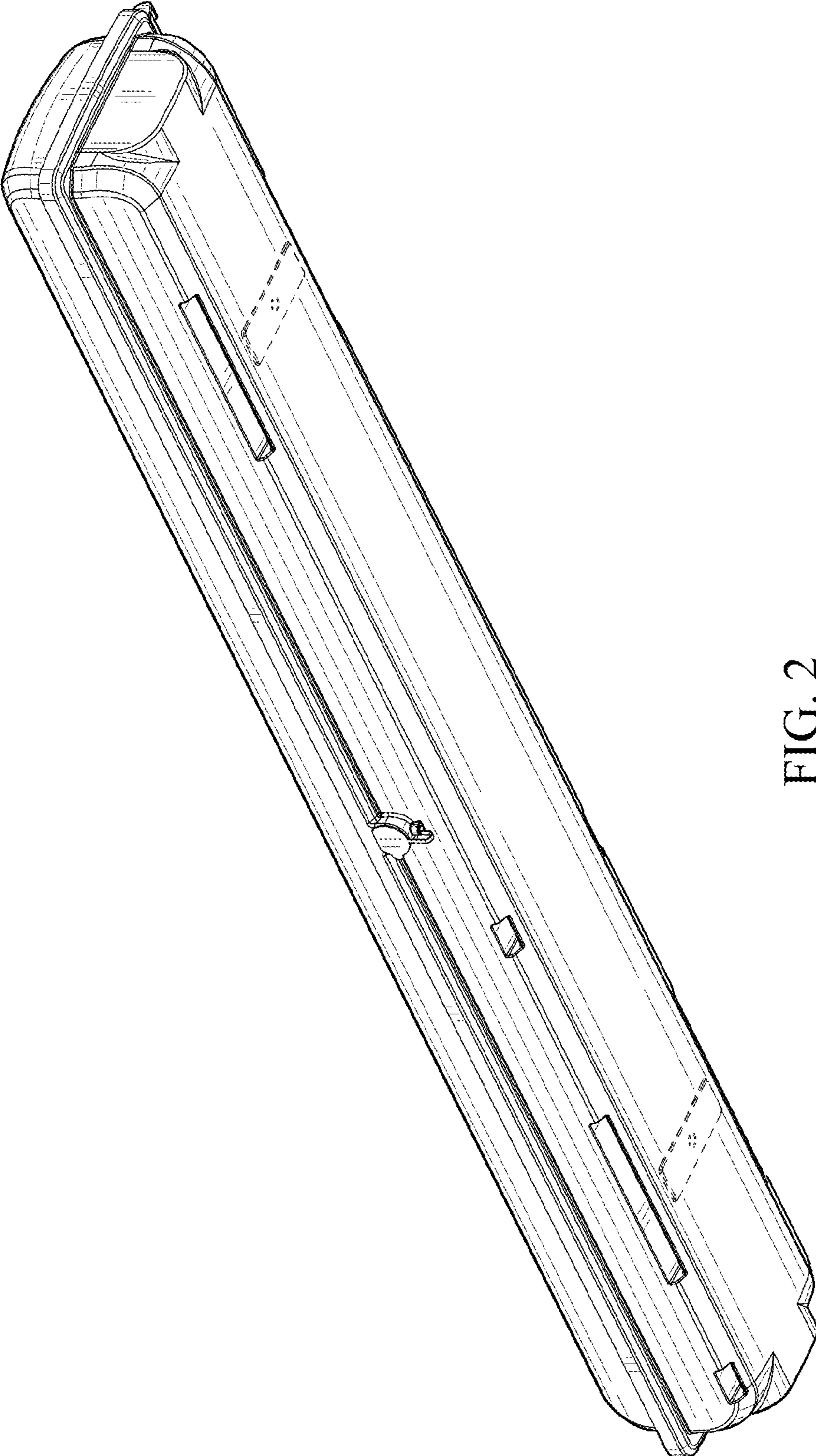


FIG. 2

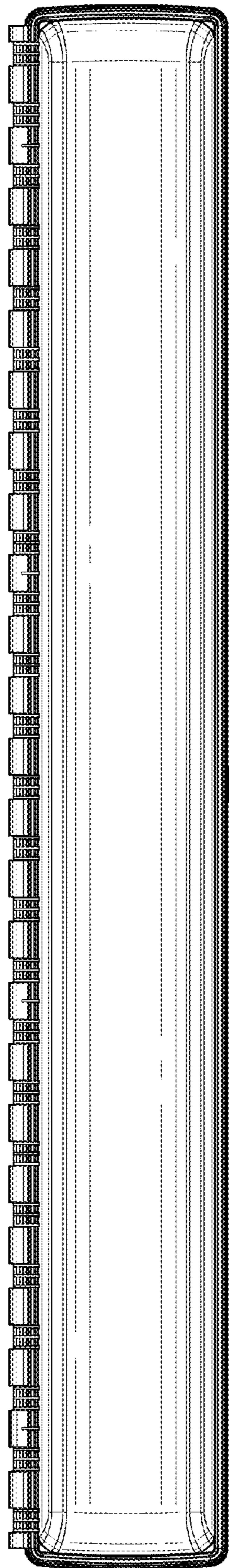


FIG. 3

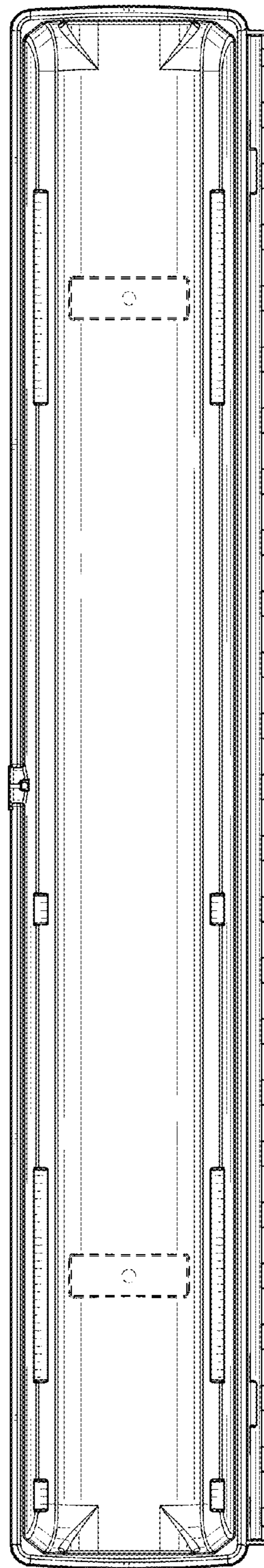


FIG. 4

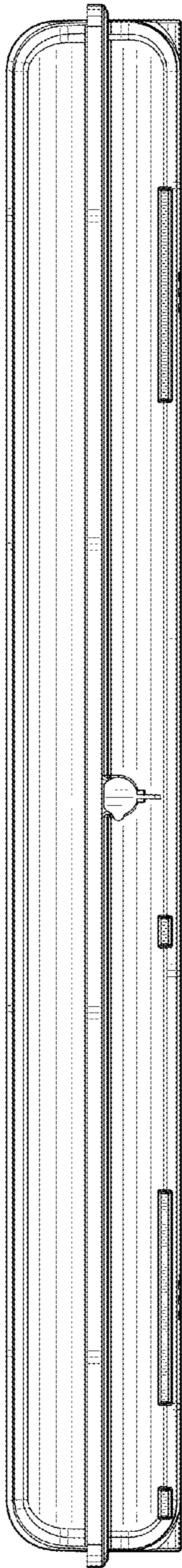


FIG. 5

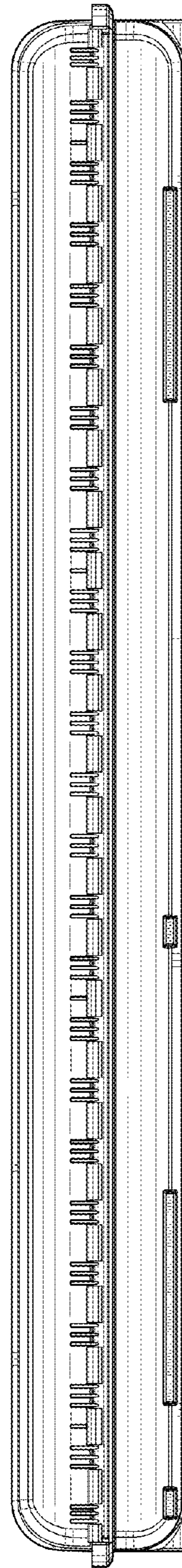


FIG. 6

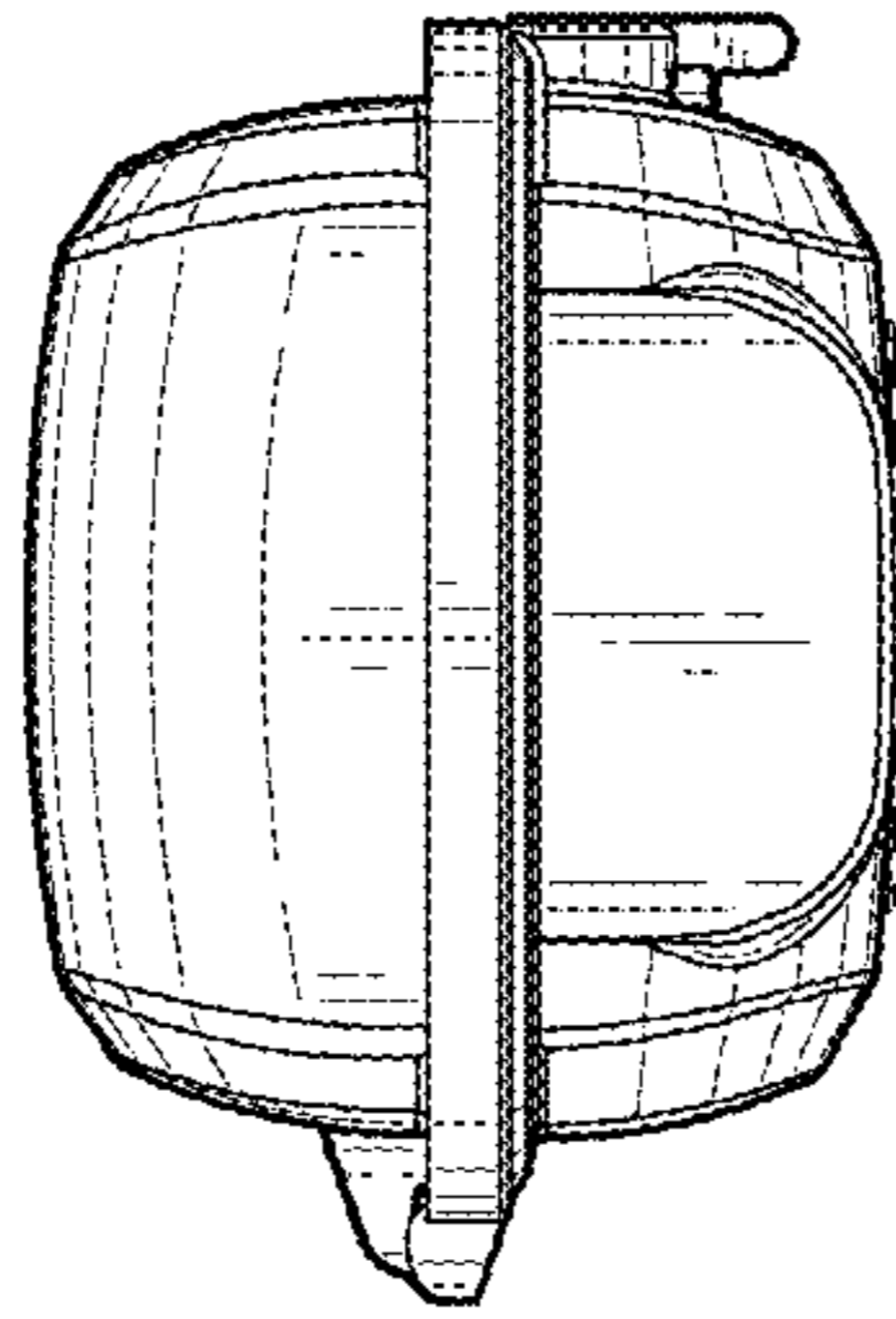


FIG. 8

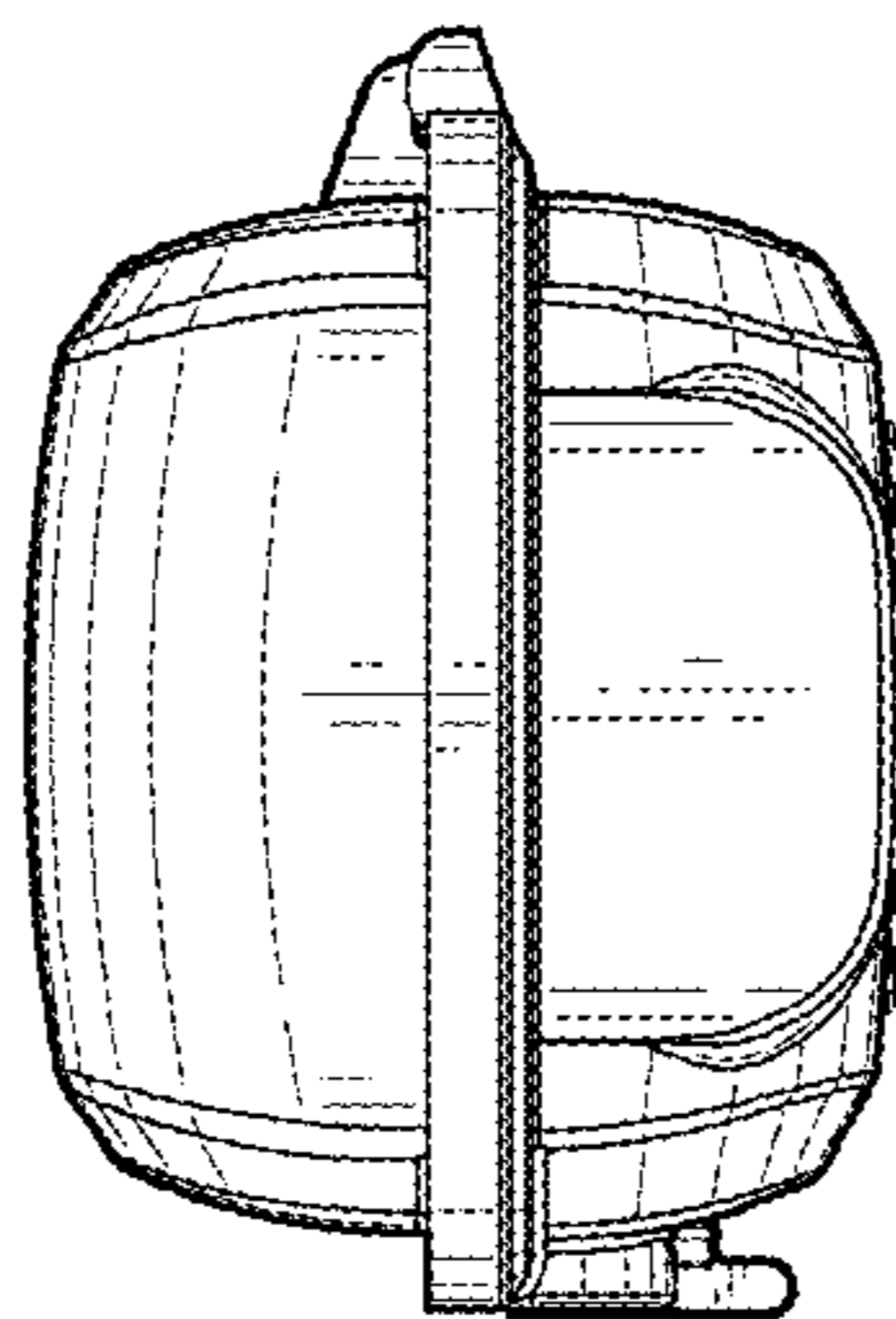


FIG. 7

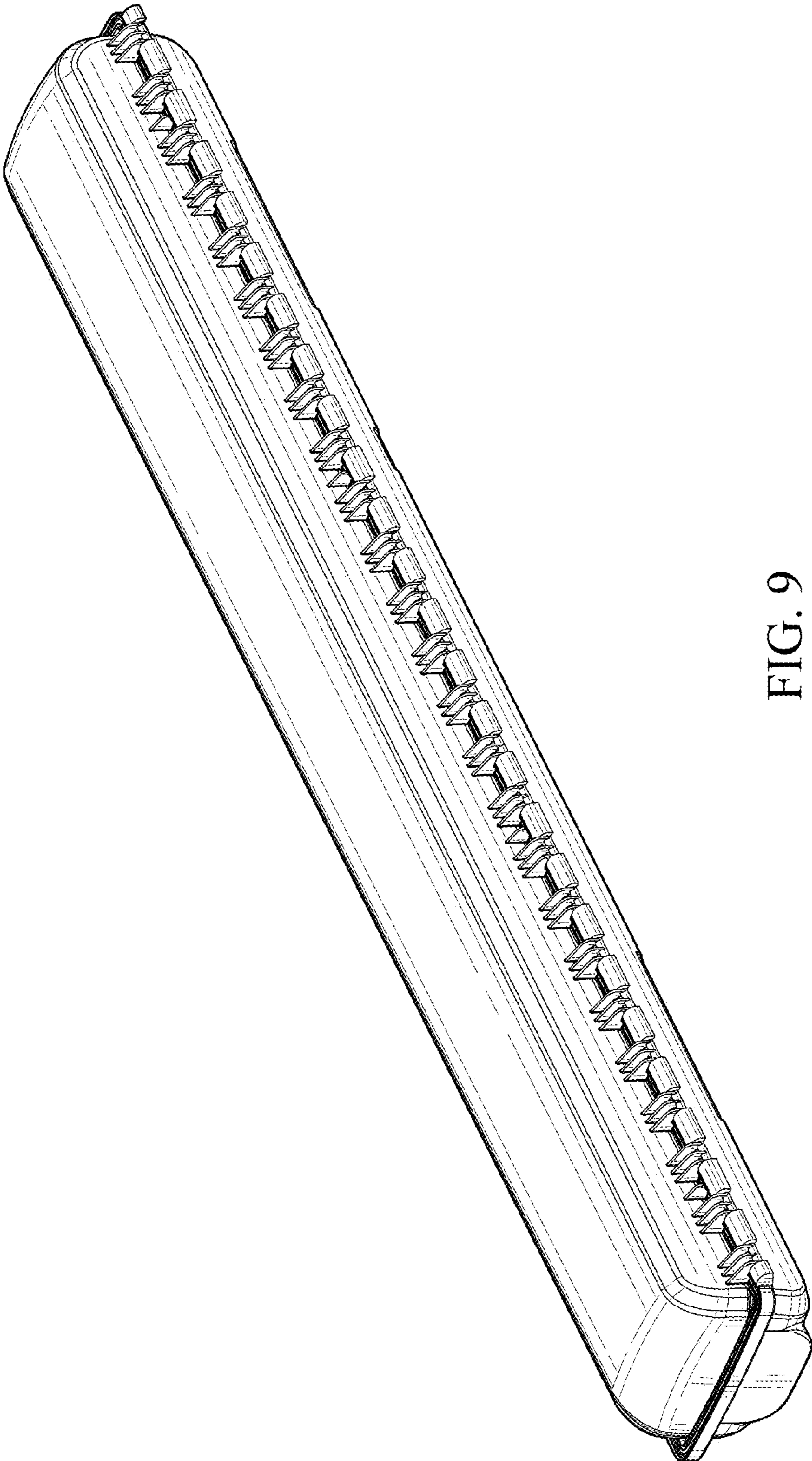


FIG. 9

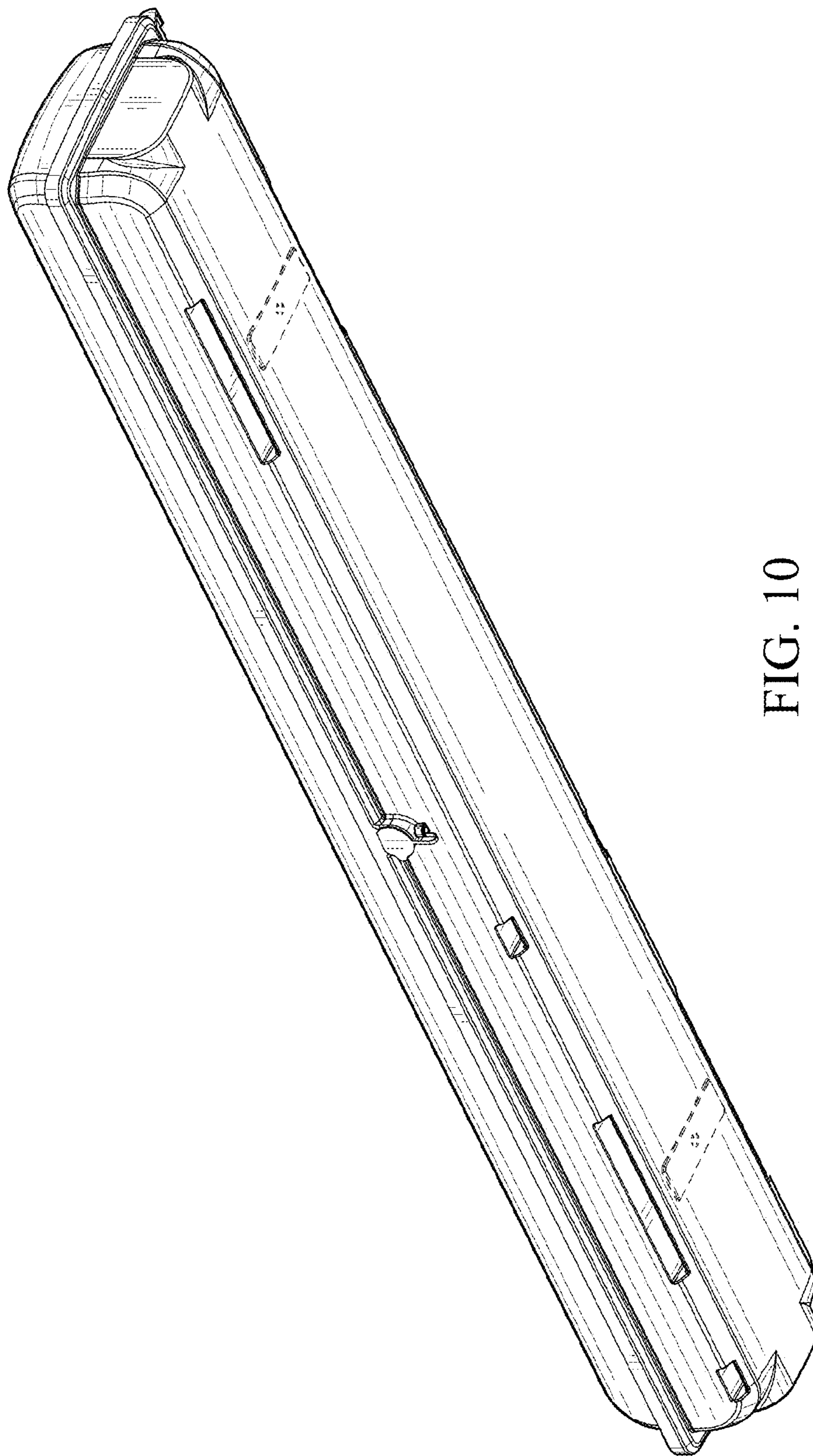


FIG. 10

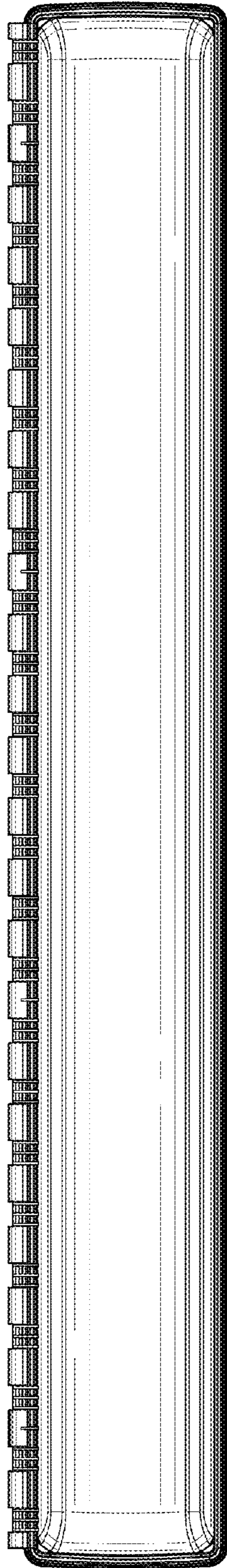


FIG. 11

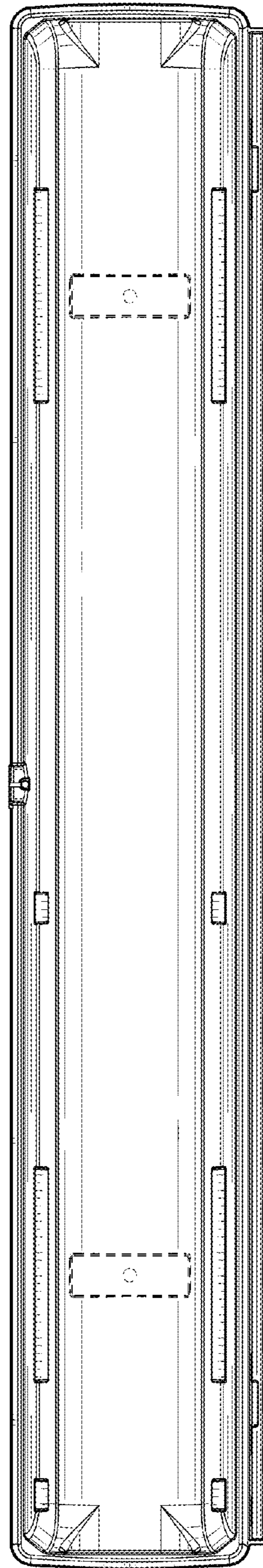


FIG. 12

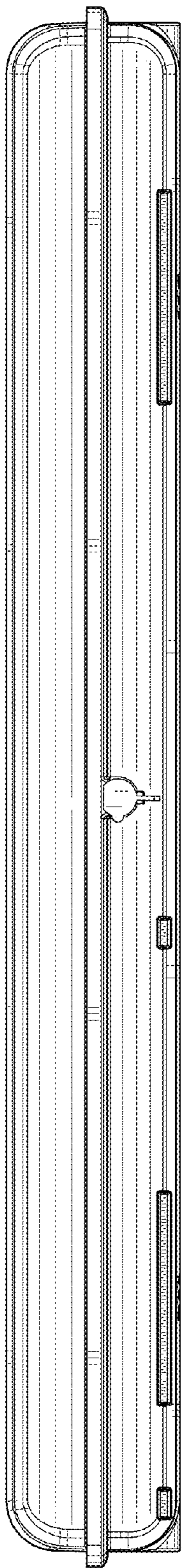


FIG. 13

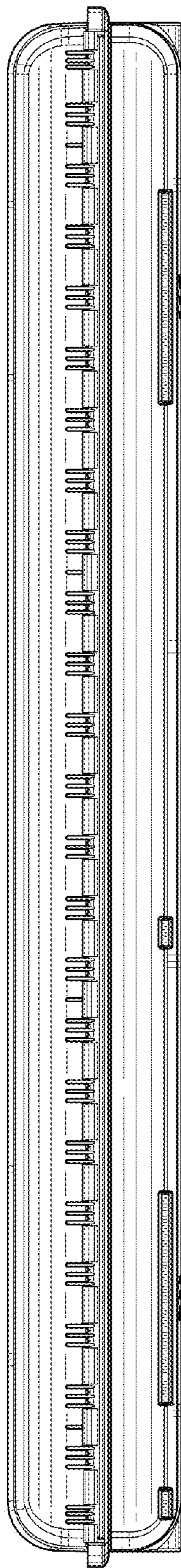


FIG. 14

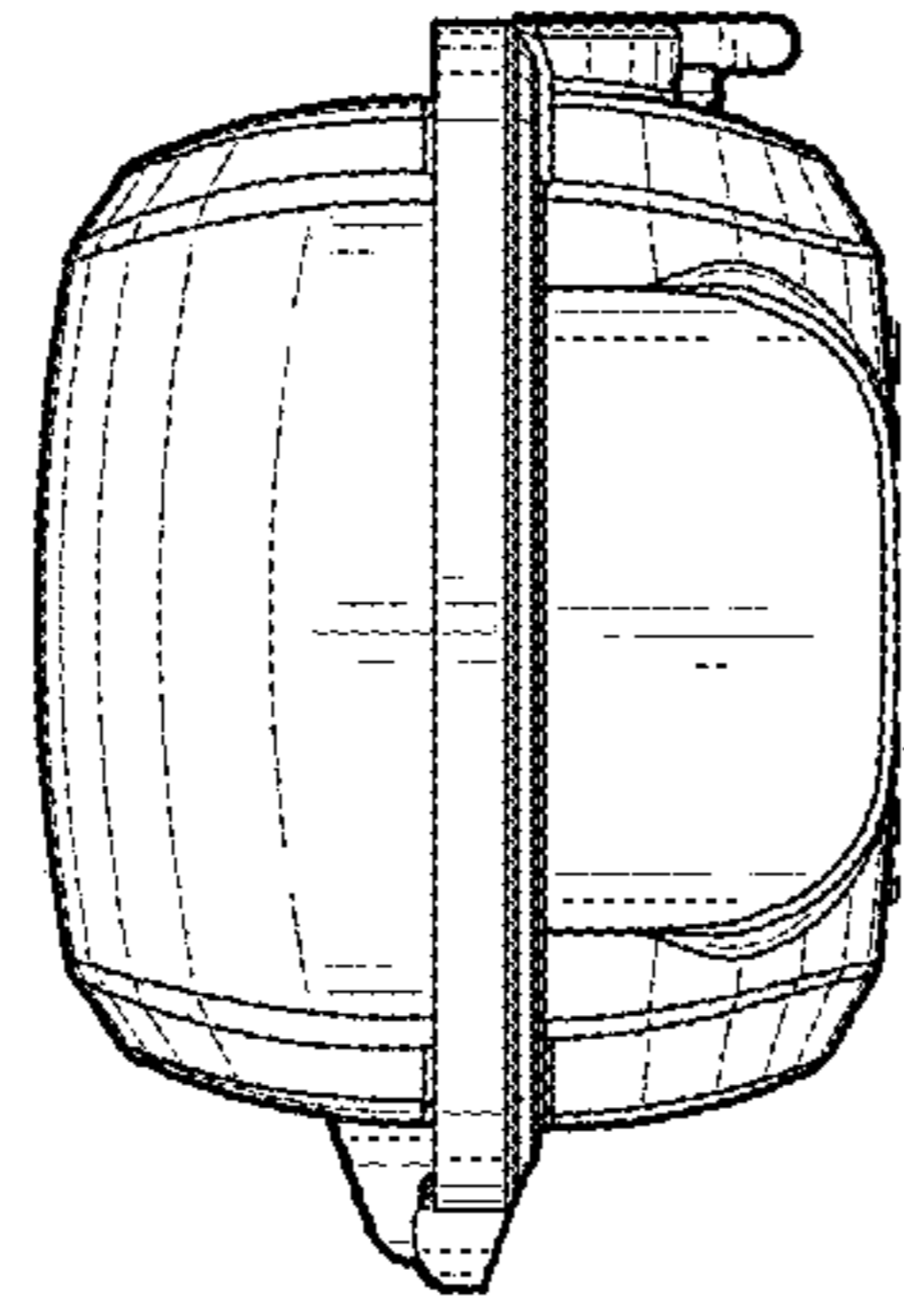


FIG. 16

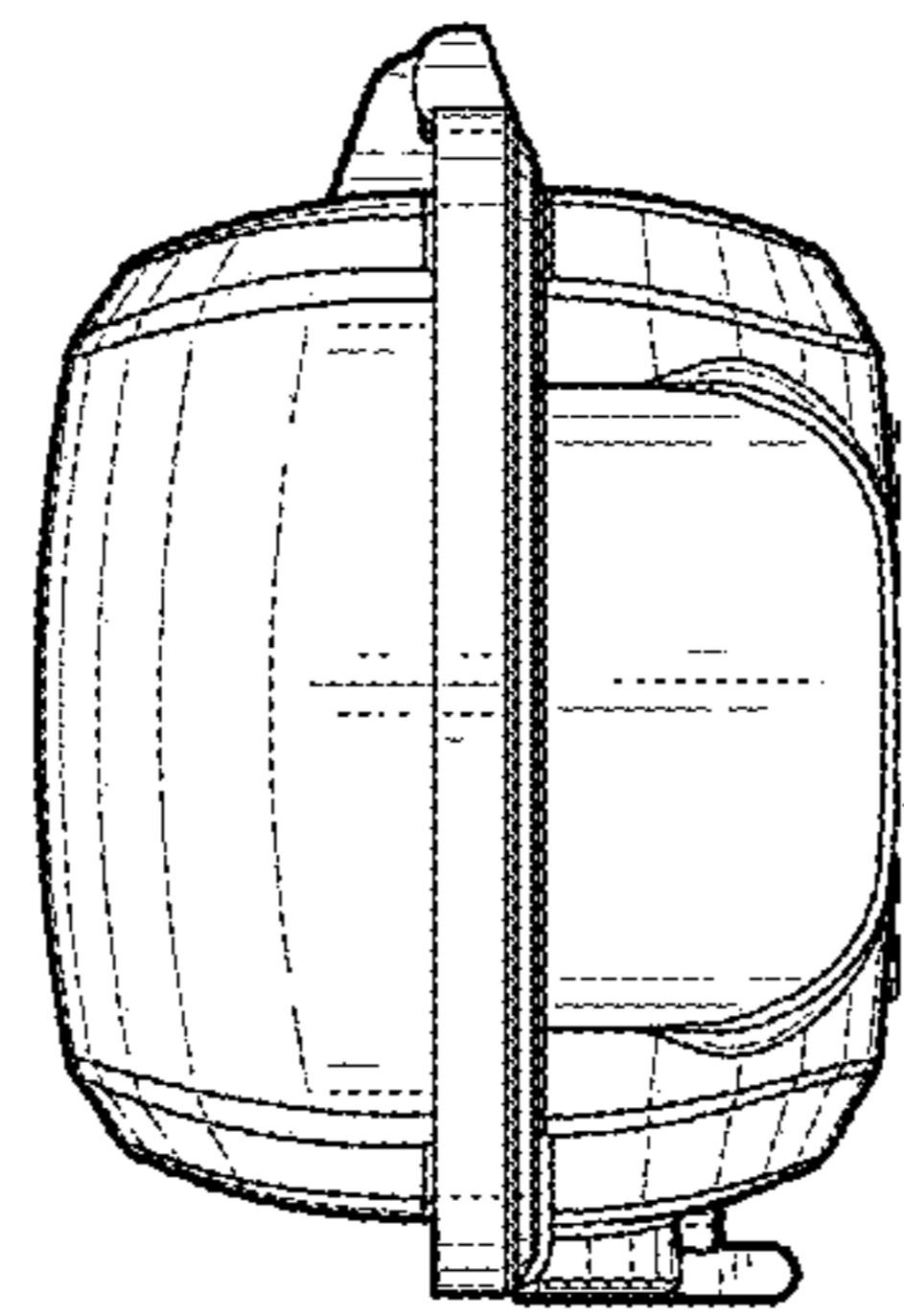


FIG. 15