



US00D744146S

(12) **United States Design Patent**
Martins et al.

(10) **Patent No.:** **US D744,146 S**

(45) **Date of Patent:** **** Nov. 24, 2015**

(54) **LIGHT FIXTURE**

(71) Applicant: **GE LIGHTING SOLUTIONS, LLC**,
East Cleveland, OH (US)

(72) Inventors: **Jeremias Anthony Martins**, Twinsburg,
OH (US); **Timothy Alan Taubert**,
Willoughby, OH (US); **Simon Lee**
Fisher, Cambridgeshire (GB); **Matthew**
James Free, Cambridgeshire (GB)

(73) Assignee: **GE LIGHTING SOLUTIONS, LLC**,
East Cleveland, OH (US)

(**) Term: **14 Years**

(21) Appl. No.: **29/485,125**

(22) Filed: **Mar. 17, 2014**

(51) **LOC (10) Cl.** **26-05**

(52) **U.S. Cl.**
USPC **D26/74**

(58) **Field of Classification Search**
USPC D26/74, 24, 72, 75, 76, 78, 79, 81, 82,
D26/88, 89, 91, 113, 118, 119, 120, 138,
D26/141, 142
CPC F21V 21/04; F21V 21/041; F21V 7/005;
F21Y 2111/002; F21S 8/026; F21S 8/02
See application file for complete search history.

(56) **References Cited**

U.S. PATENT DOCUMENTS

D399,586 S *	10/1998	Ranieri et al.	D26/74
D407,473 S *	3/1999	Wimbock	D23/328
D413,402 S *	8/1999	Ranieri et al.	D26/74
D553,781 S *	10/2007	Pickard et al.	D26/74
D602,188 S *	10/2009	Fabbri et al.	D26/74
D617,487 S *	6/2010	Fowler et al.	D26/76
D677,818 S *	3/2013	Steele et al.	D26/74
D677,820 S *	3/2013	Mayfield et al.	D26/74
D678,586 S *	3/2013	Mayfield, III	D26/74

D678,597 S *	3/2013	Lehman et al.	D26/120
D696,449 S *	12/2013	Boyer et al.	D26/74
D698,969 S *	2/2014	Johns et al.	D26/74
2013/0294053 A1 *	11/2013	Marquardt et al.	362/145

* cited by examiner

Primary Examiner — Angela J Lee

(74) *Attorney, Agent, or Firm* — GE Global Patent
Operation; Peter T. DiMauro

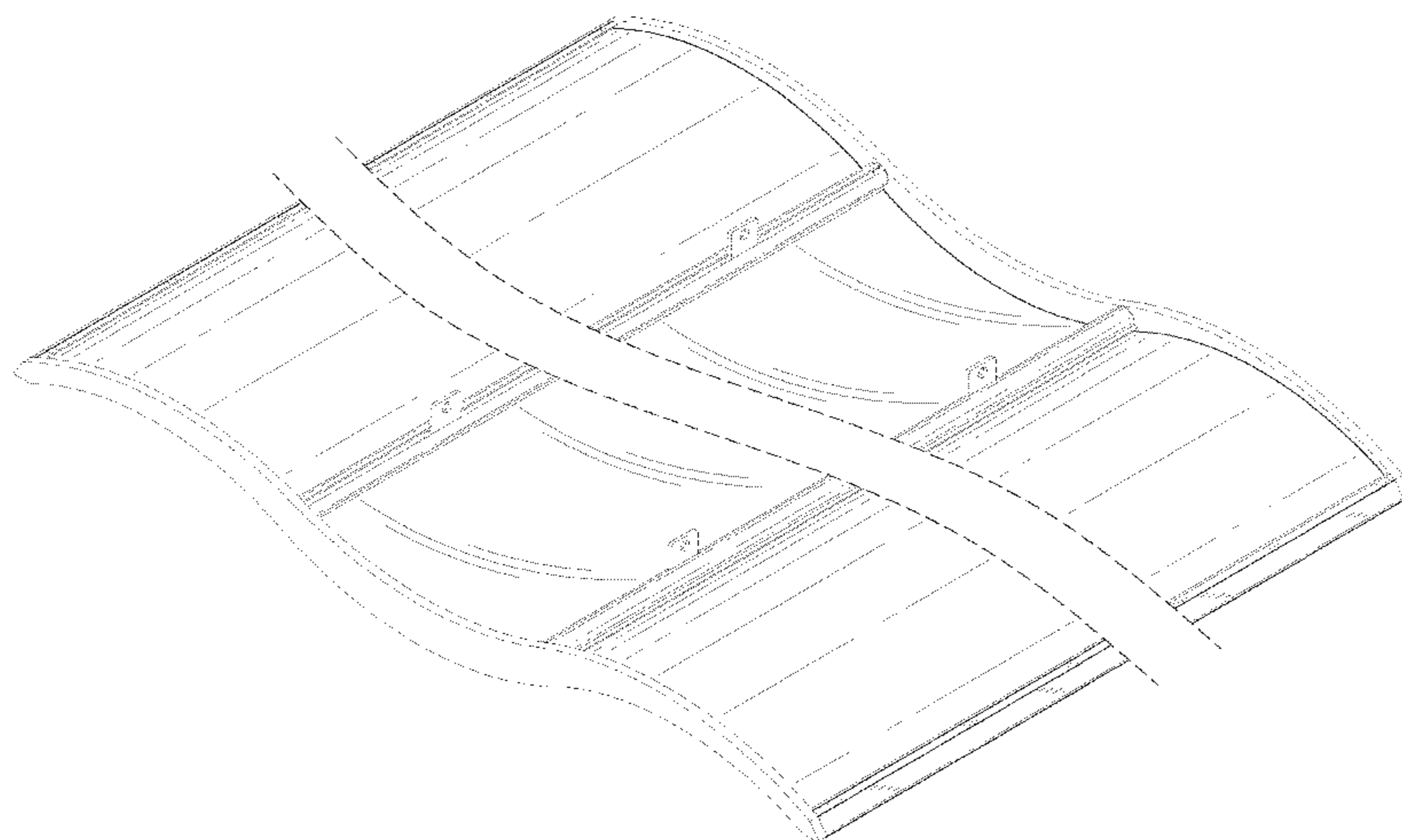
(57) **CLAIM**

We claim the ornamental design for a light fixture, as shown
and described.

DESCRIPTION

FIG. 1 is a top perspective view of a light fixture in accordance
with the present design;
FIG. 2 is a bottom perspective view thereof;
FIG. 3 is a side plan view thereof;
FIG. 4 is a cross-sectional plan view taken along line 4-4 of
FIG. 3;
FIG. 5 is a side plan view thereof;
FIG. 6 is a top plan view thereof;
FIG. 7 is a bottom plan view thereof;
FIG. 8 is a top perspective view of a light fixture in accordance
with another embodiment;
FIG. 9 is a bottom perspective view thereof;
FIG. 10 is a side plan view thereof;
FIG. 11 is a cross-sectional plan view taken along line 11-11
of FIG. 10;
FIG. 12 is a side plan view thereof;
FIG. 13 is a top plan view thereof; and,
FIG. 14 is a bottom plan view thereof.
The broken lines are for illustrative purposes only and form
no part of the claimed design. Any shading forms no part of
the claimed design and is provided to illustrate contour only
and is not an indication of texture, gloss, and the like.

1 Claim, 10 Drawing Sheets



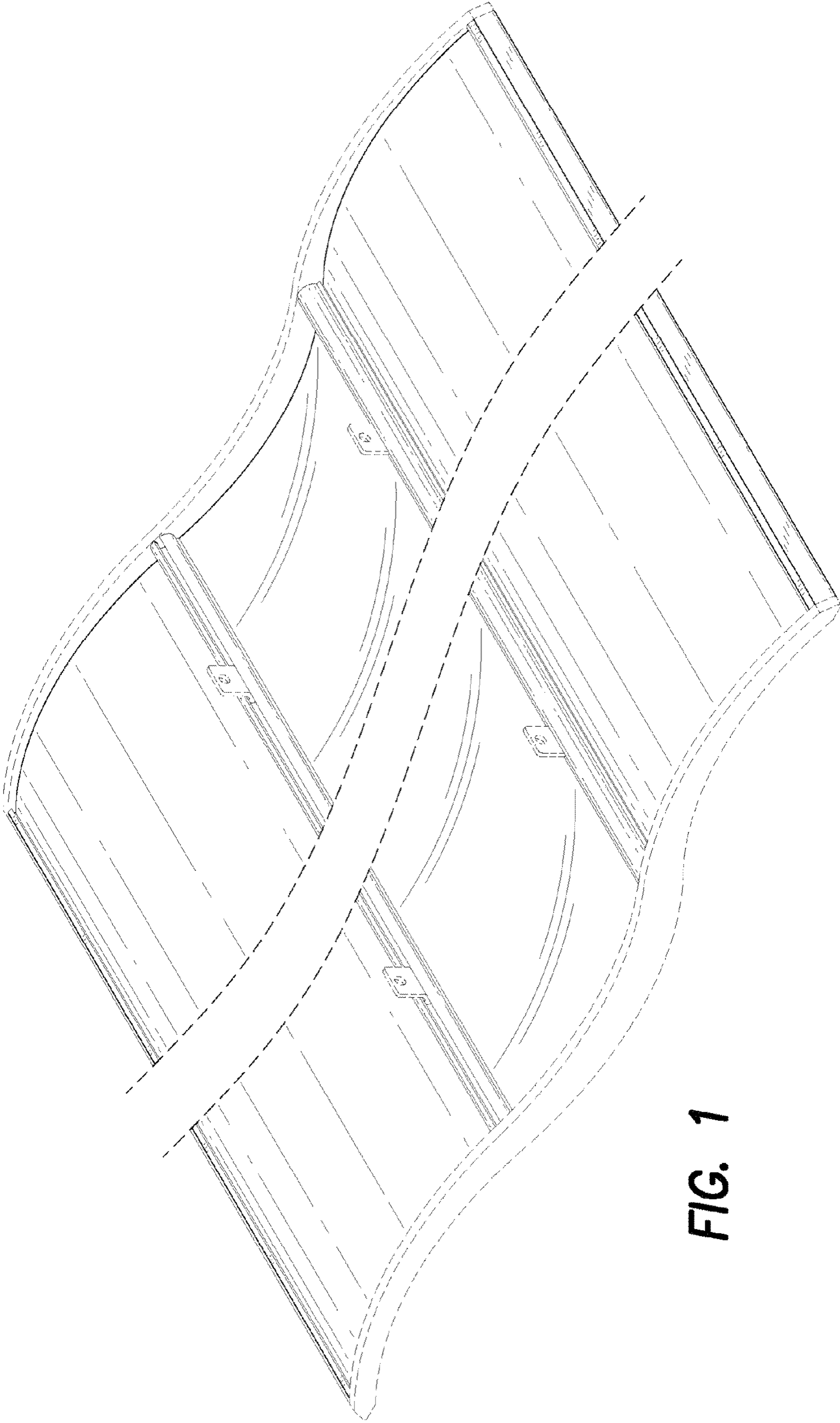


FIG. 1

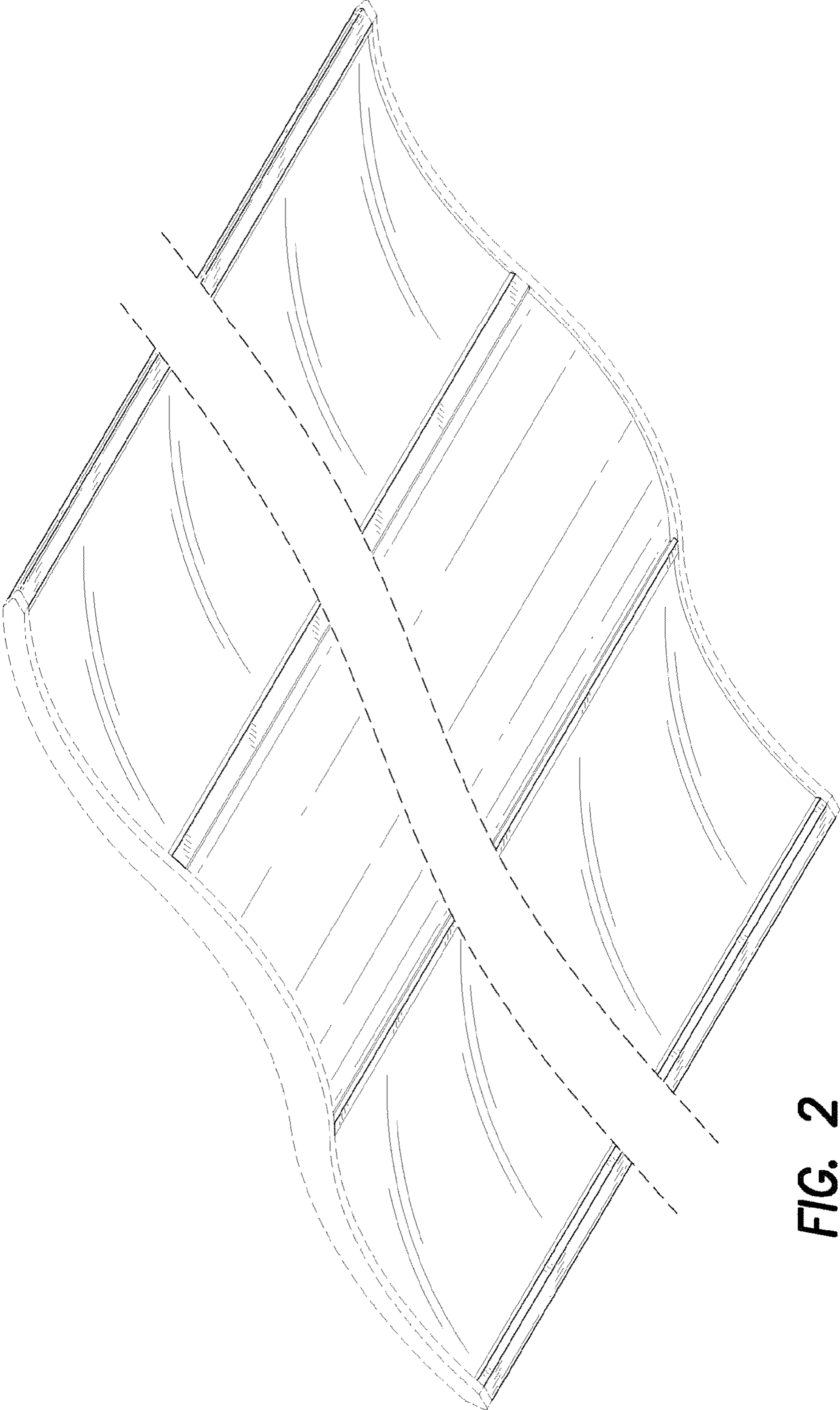


FIG. 2

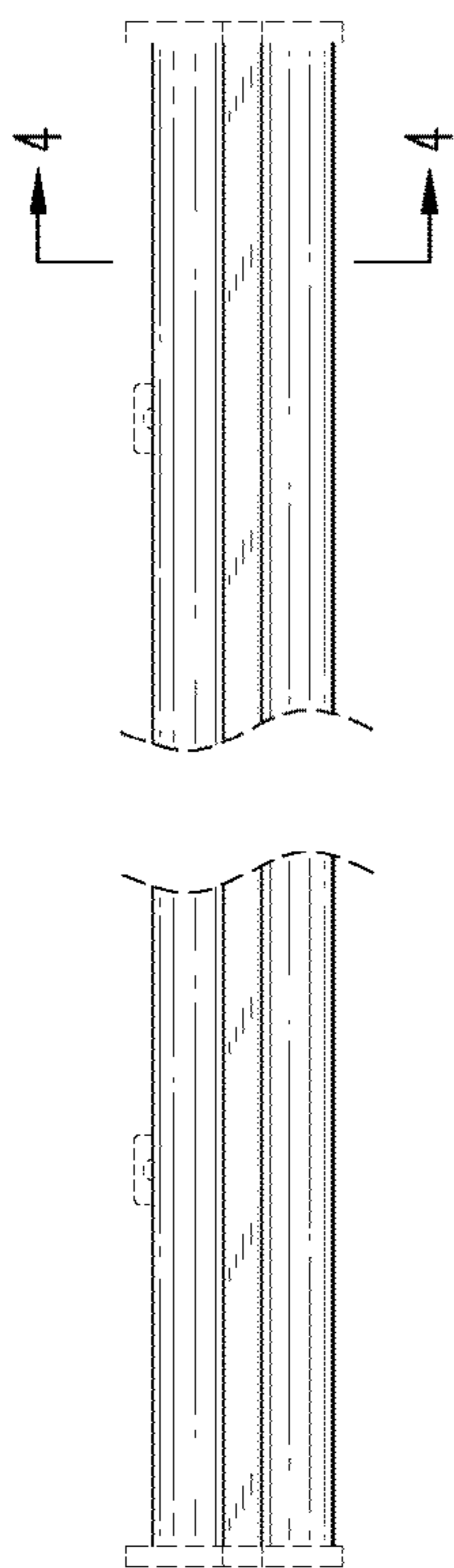


FIG. 3

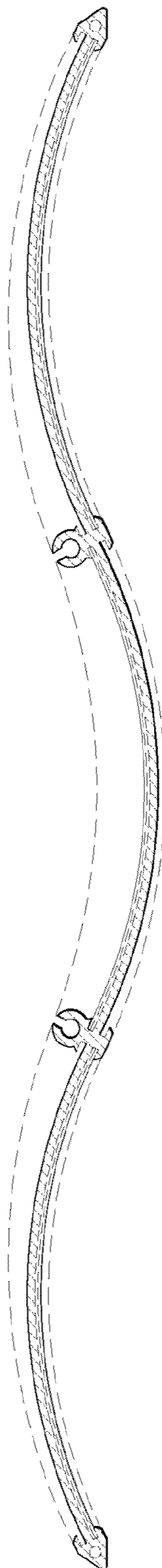


FIG. 4



FIG. 5

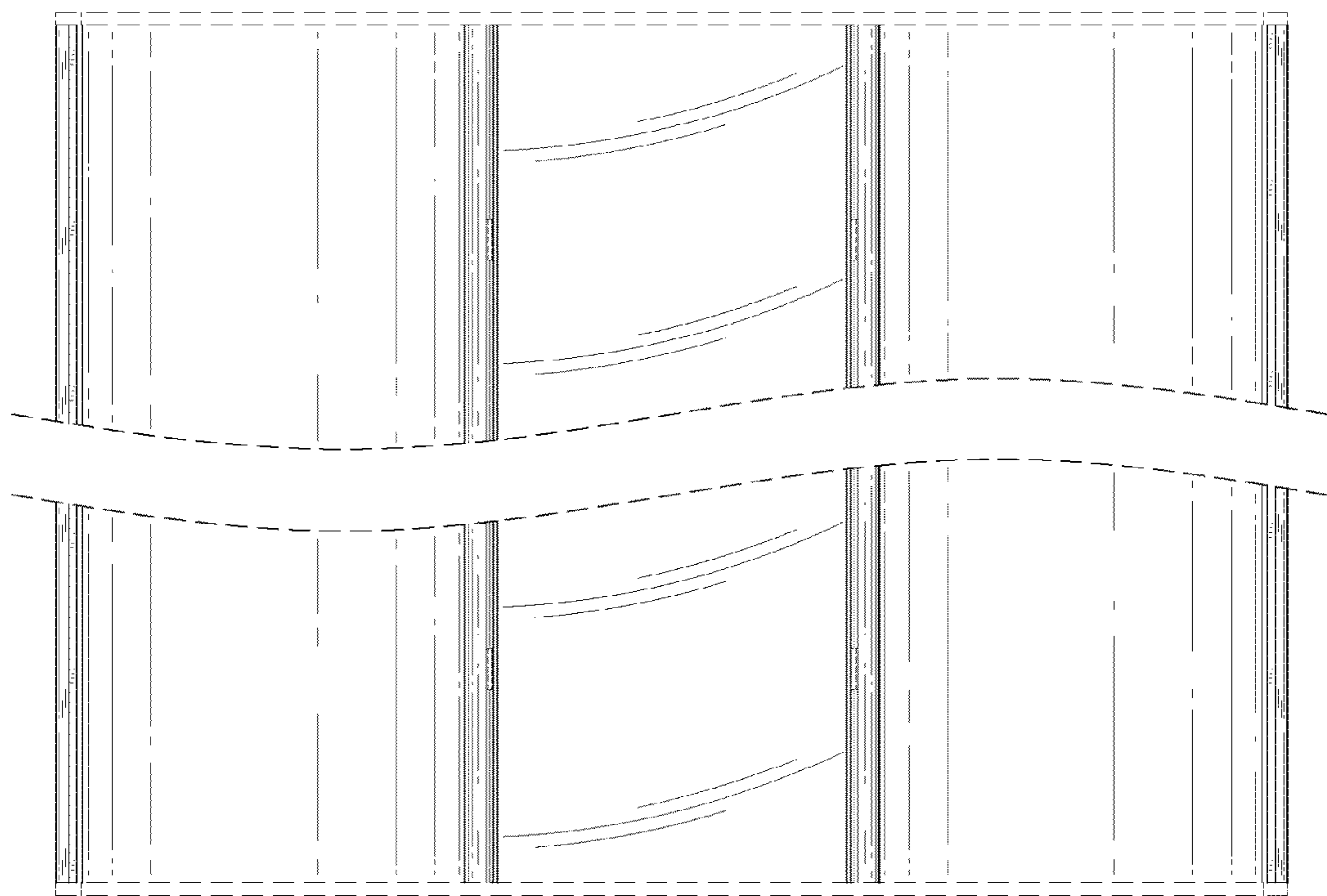


FIG. 6

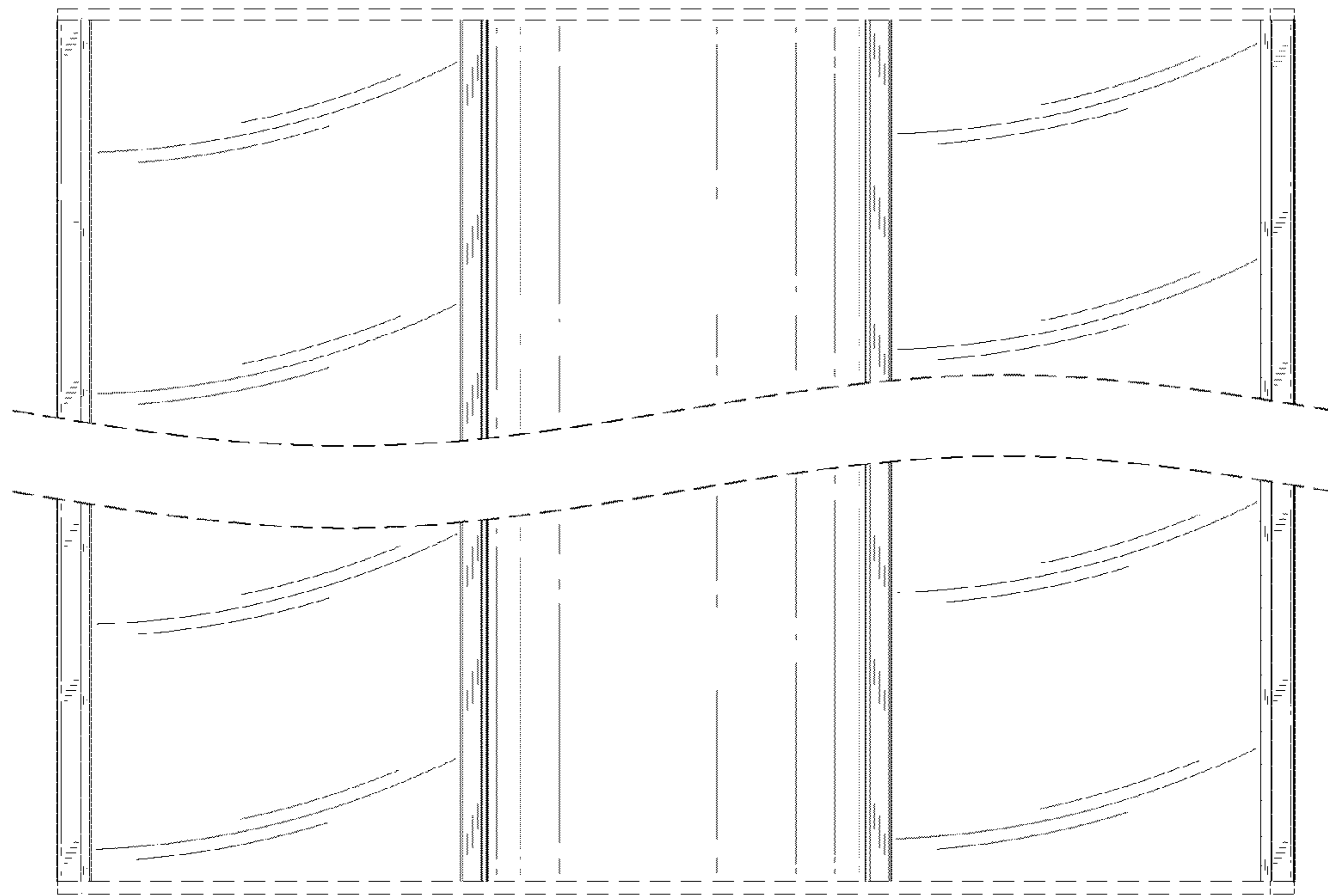


FIG. 7

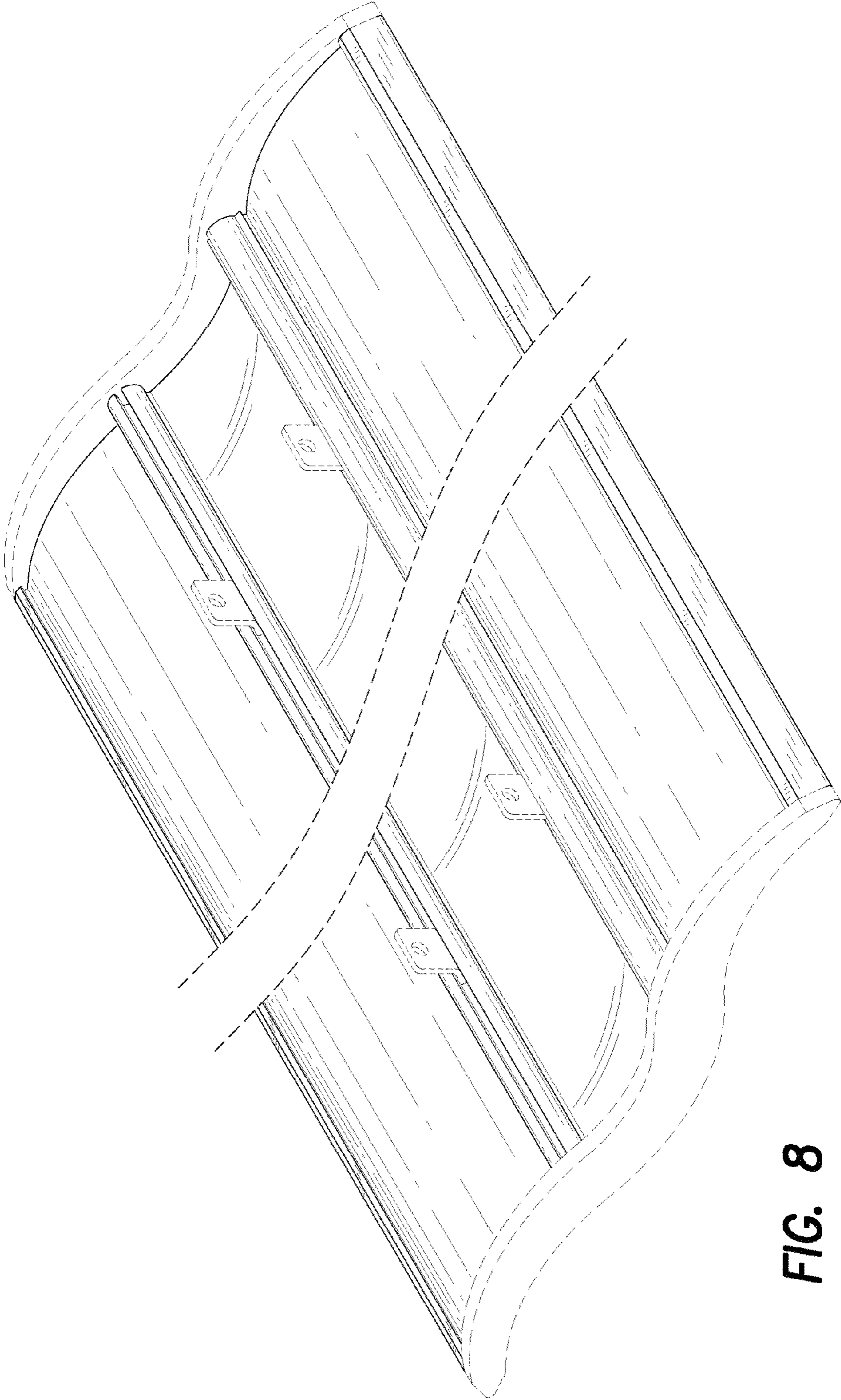


FIG. 8

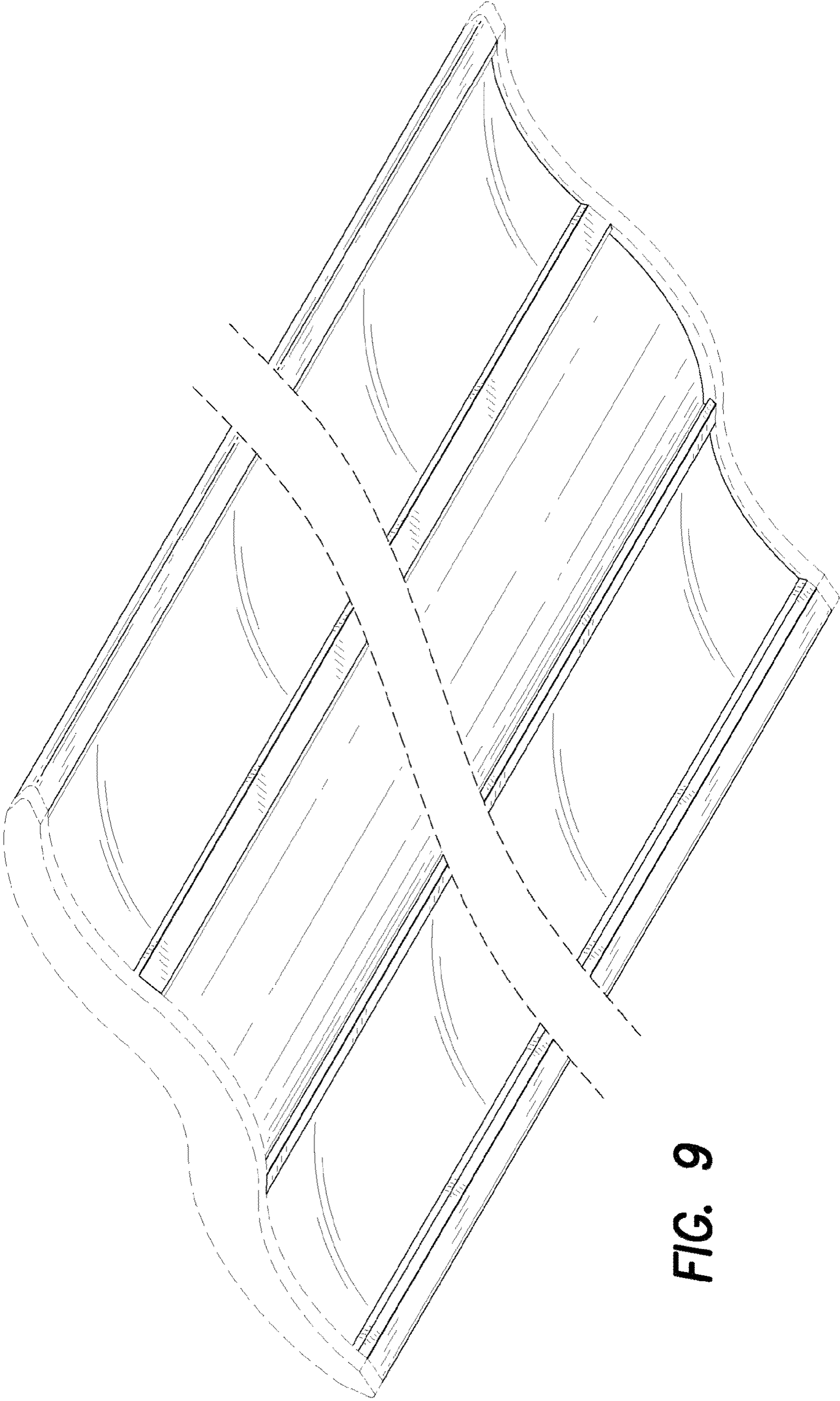


FIG. 9

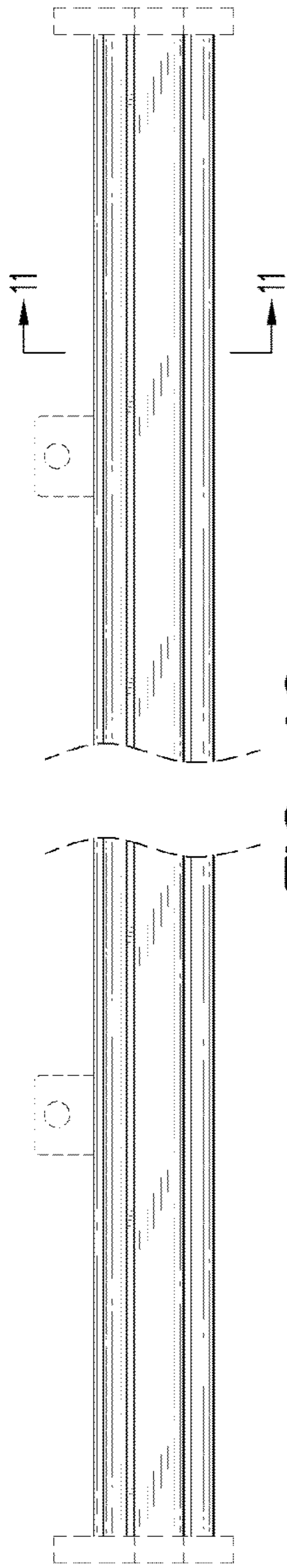


FIG. 10

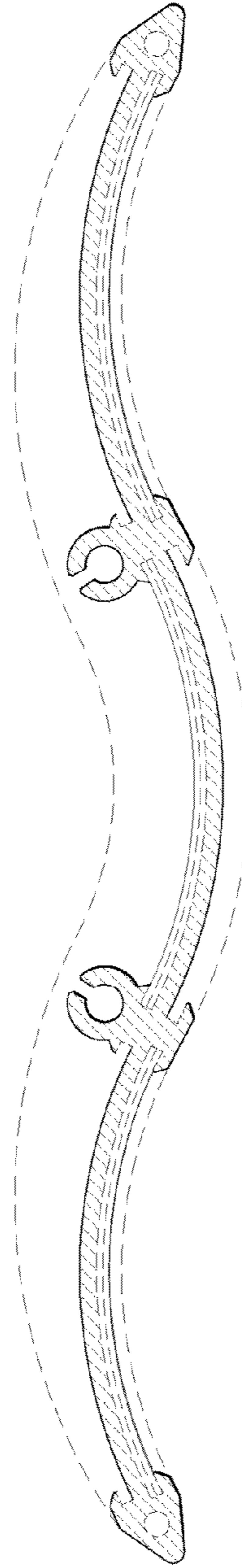


FIG. 11



FIG. 12

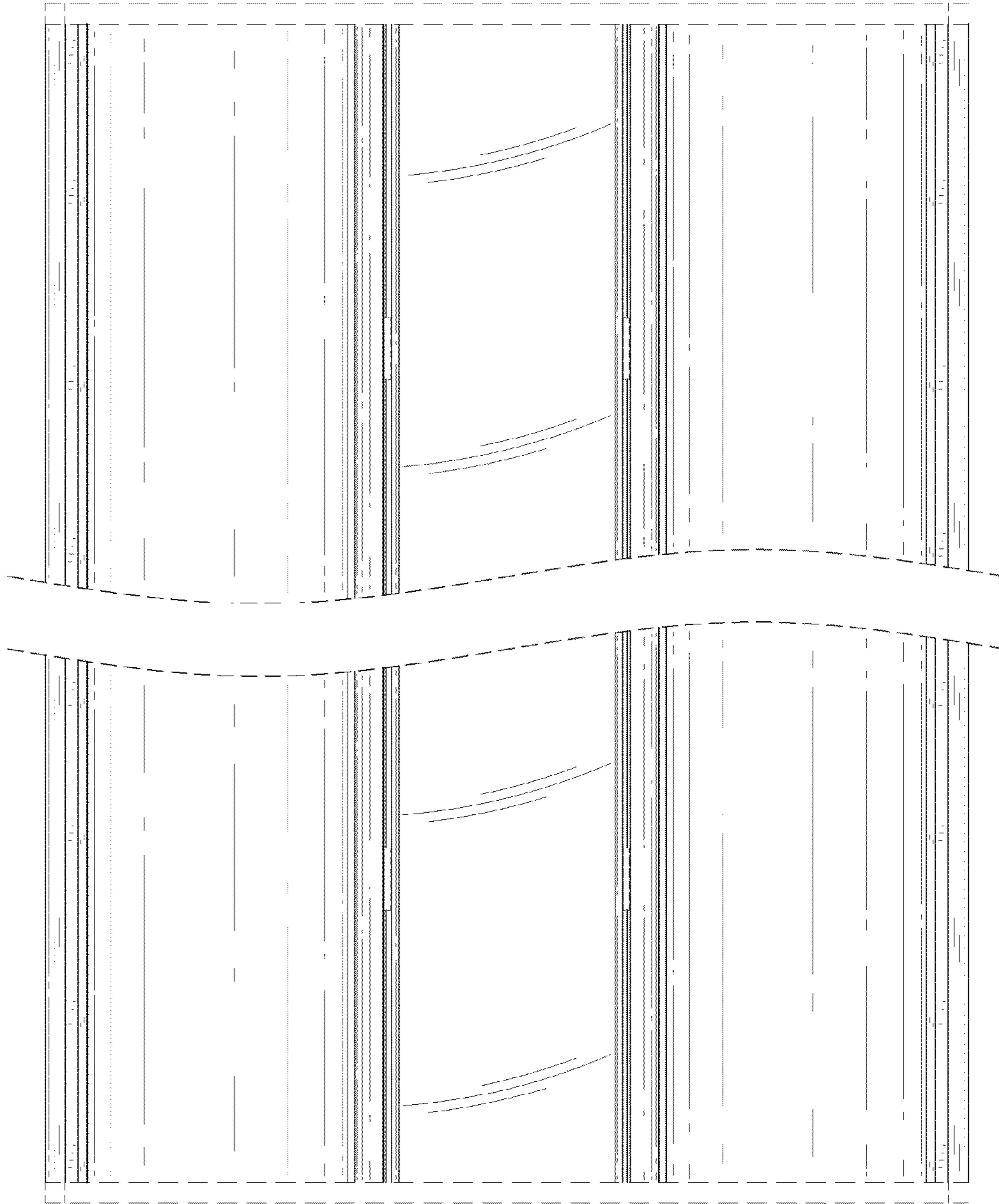


FIG. 13

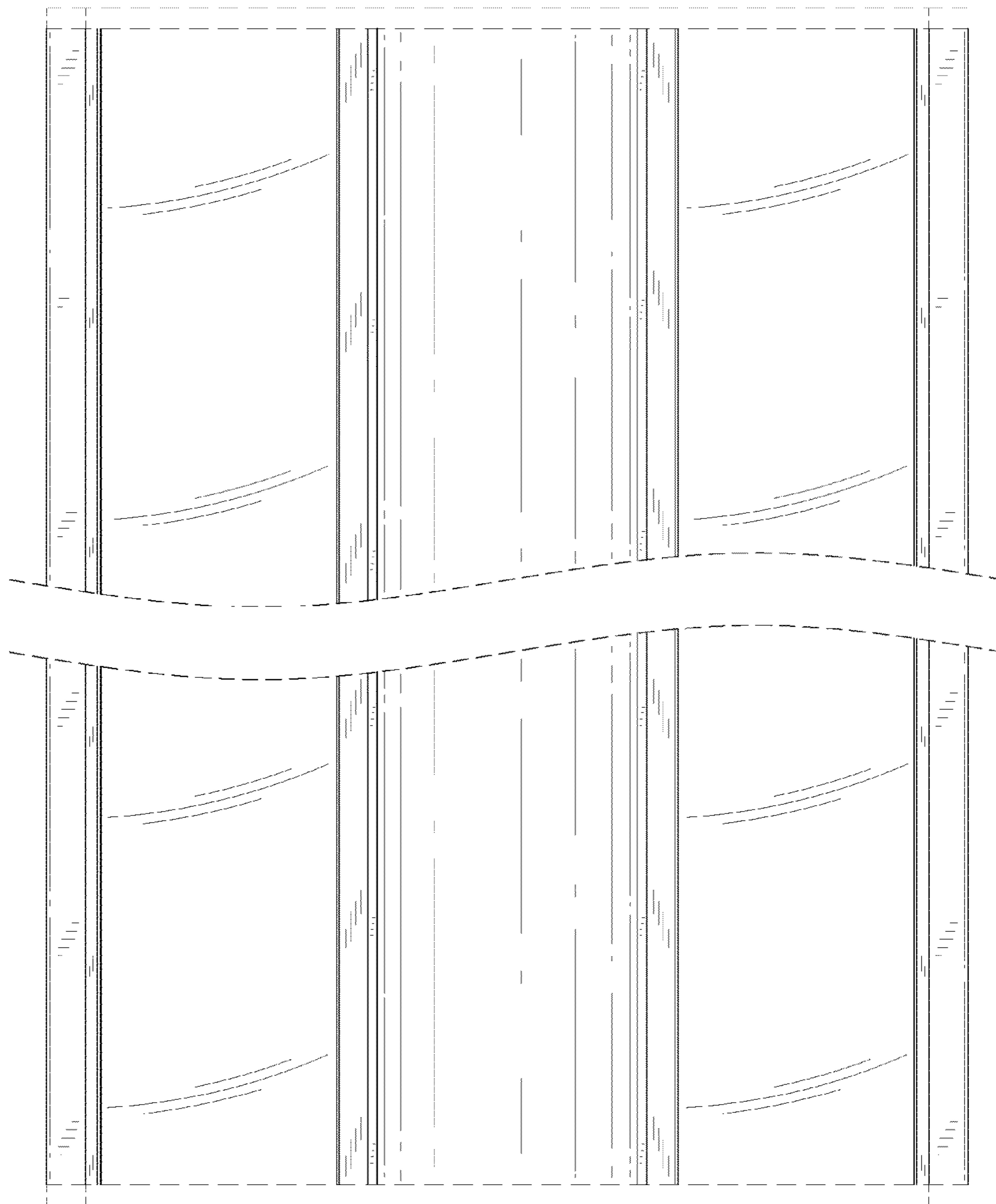


FIG. 14