



US00D744143S

(12) **United States Design Patent**
Bobel

(10) **Patent No.:** **US D744,143 S**

(45) **Date of Patent:** **** Nov. 24, 2015**

(54) **LIGHT FIXTURE**

(71) Applicant: **Neptun Light, Inc.**, Lake Forest, IL (US)

(72) Inventor: **Andrzej Bobel**, Lake Forest, IL (US)

(73) Assignee: **Neptun Light, Inc.**, Lake Forest, IL (US)

(**) Term: **14 Years**

(21) Appl. No.: **29/494,098**

(22) Filed: **Jun. 17, 2014**

(51) **LOC (10) Cl.** **26-03**

(52) **U.S. Cl.**
USPC **D26/63**

(58) **Field of Classification Search**
USPC D26/1, 24, 61, 63, 65, 85, 92, 71, 102, D26/106, 107
CPC F21V 21/14; F21V 15/01; F21V 14/02; F21V 21/30; F21V 21/00; F21V 14/00; F21S 8/00; F21S 8/003; F21S 8/043; F21Y 2105/001
See application file for complete search history.

(56) **References Cited**

U.S. PATENT DOCUMENTS

D572,396 S * 7/2008 Guercio D26/63
D615,235 S * 5/2010 Zheng D26/71

D625,870 S * 10/2010 Feigenbaum D26/63
D650,504 S * 12/2011 Kim et al. D26/63
D695,435 S * 12/2013 Pedersen D26/63
D699,877 S * 2/2014 Song et al. D26/63
D711,576 S * 8/2014 Zhan D26/63
D723,727 S * 3/2015 Moeller D26/63
D734,522 S * 7/2015 Coulbeaut D26/63

* cited by examiner

Primary Examiner — Brian N Vinson

(74) *Attorney, Agent, or Firm* — Adam S. Bobel

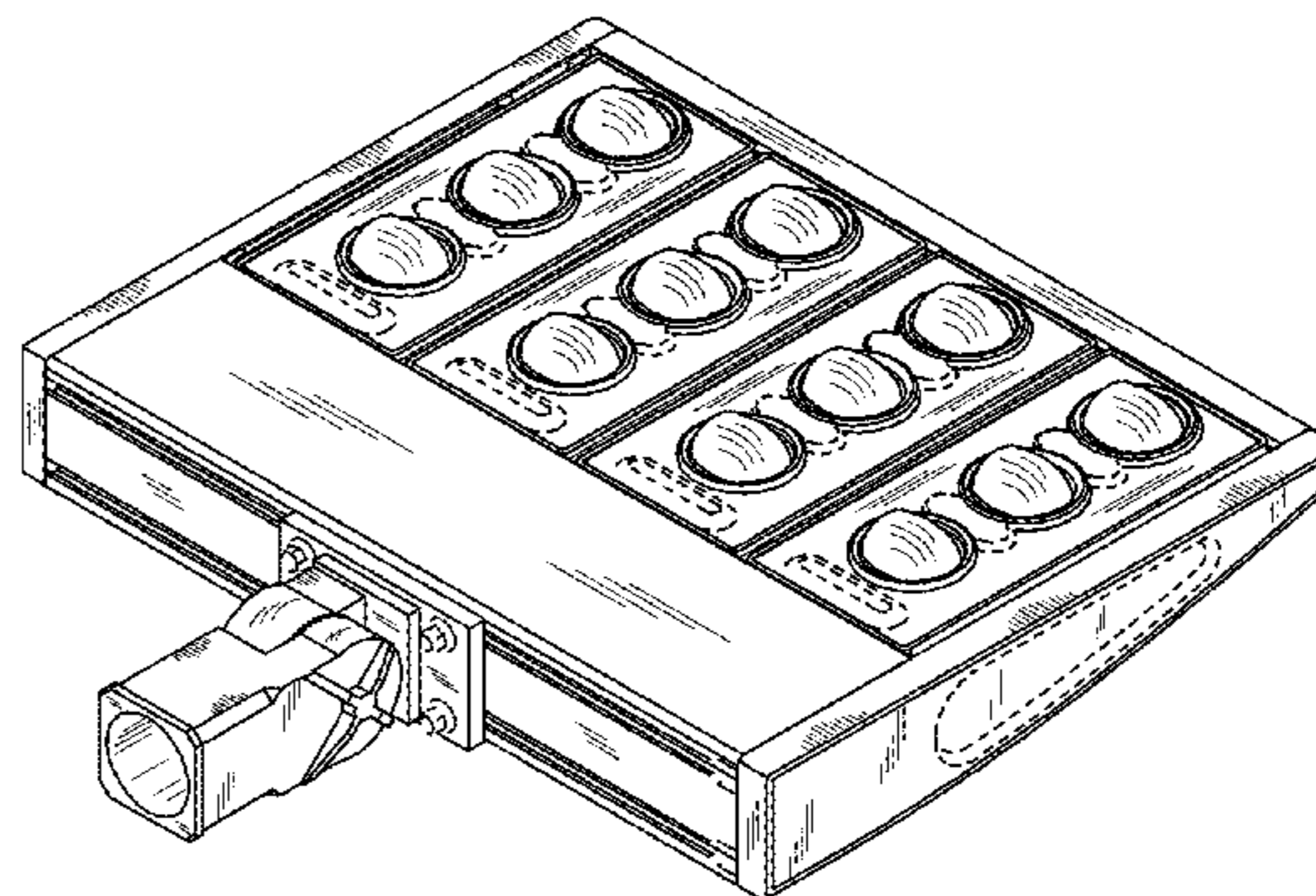
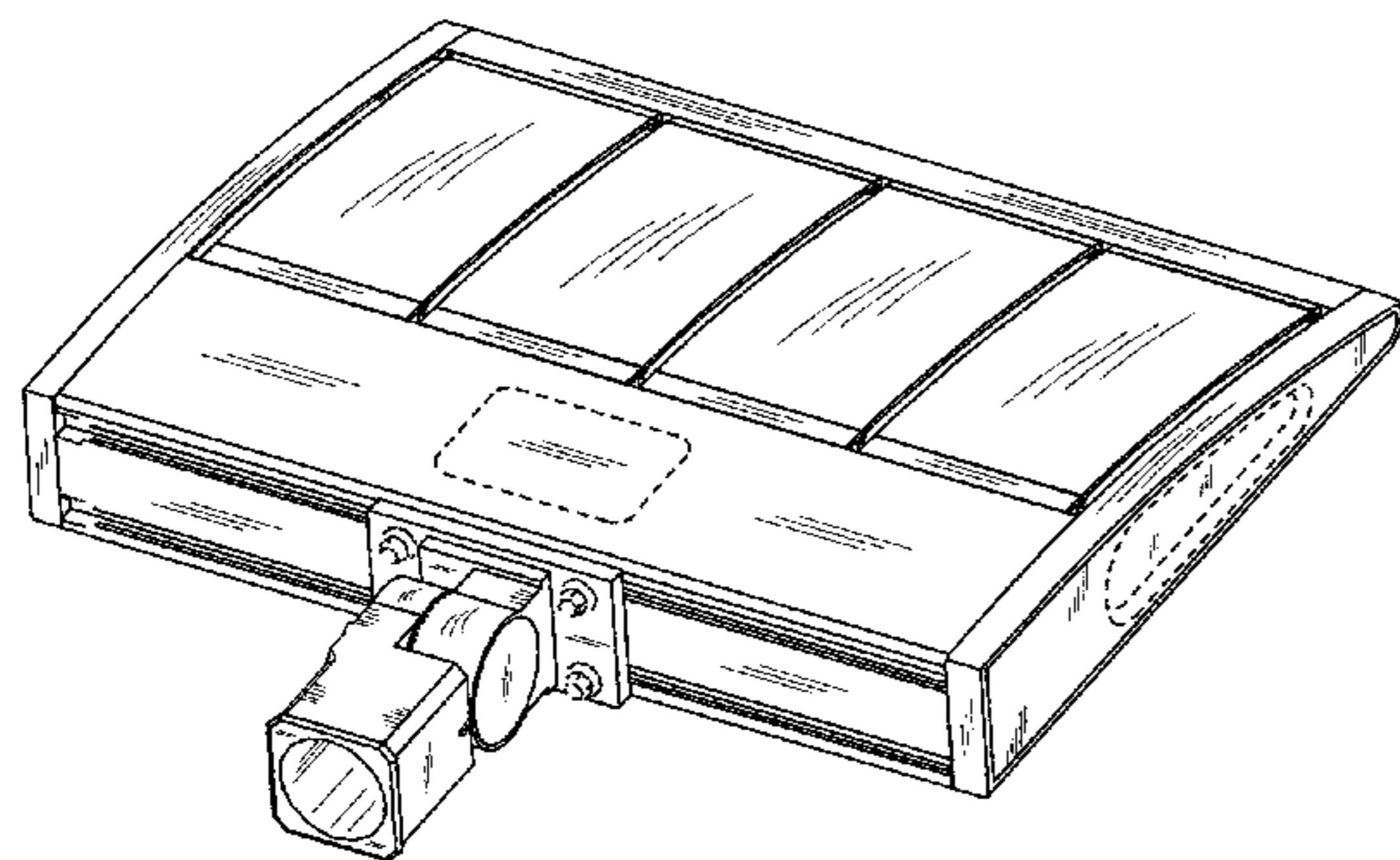
(57) **CLAIM**

The ornamental design for a light fixture, as shown and described.

DESCRIPTION

FIG. 1 is a top side view of light fixture showing the claimed design;
FIG. 2 is a bottom side view thereof;
FIG. 3 is a right side view thereof;
FIG. 4 is a left side view thereof;
FIG. 5 is a rear side view thereof;
FIG. 6 is a front view thereof;
FIG. 7 is a bottom perspective view thereof; and,
FIG. 8 is a top perspective view thereof.
The broken line disclosure represents unclaimed portions of the light fixture.

1 Claim, 8 Drawing Sheets



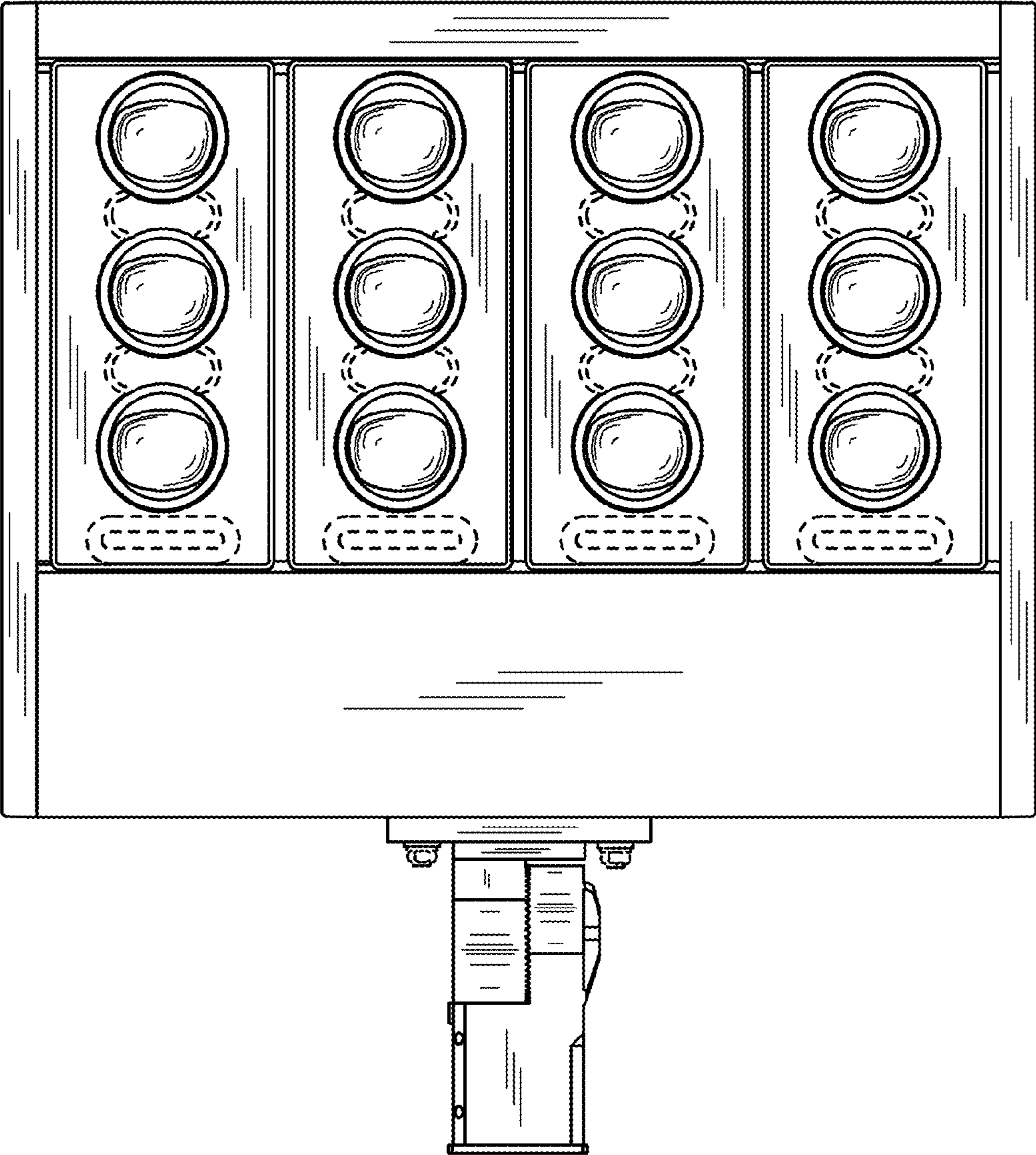


Fig. 1

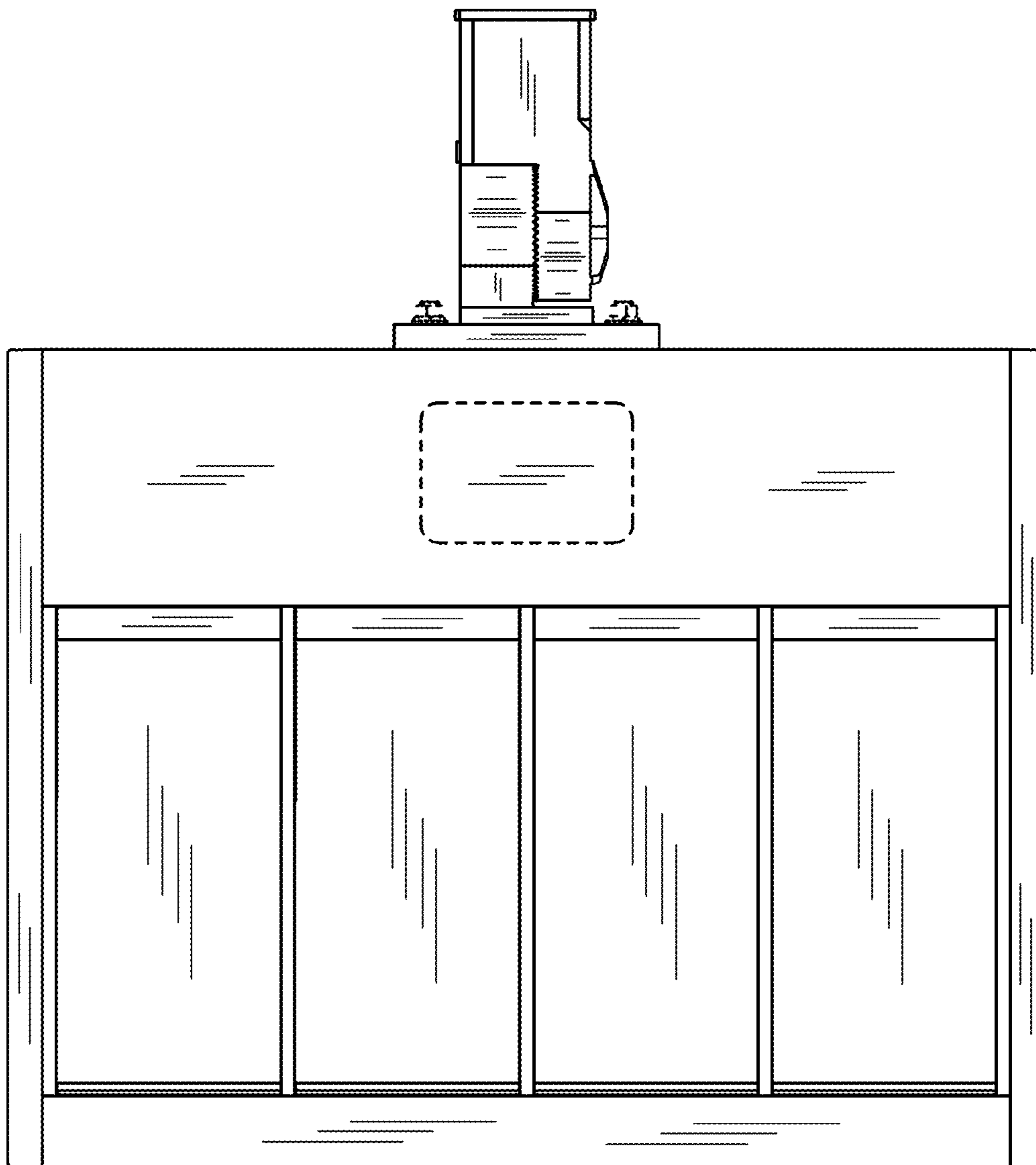


Fig. 2

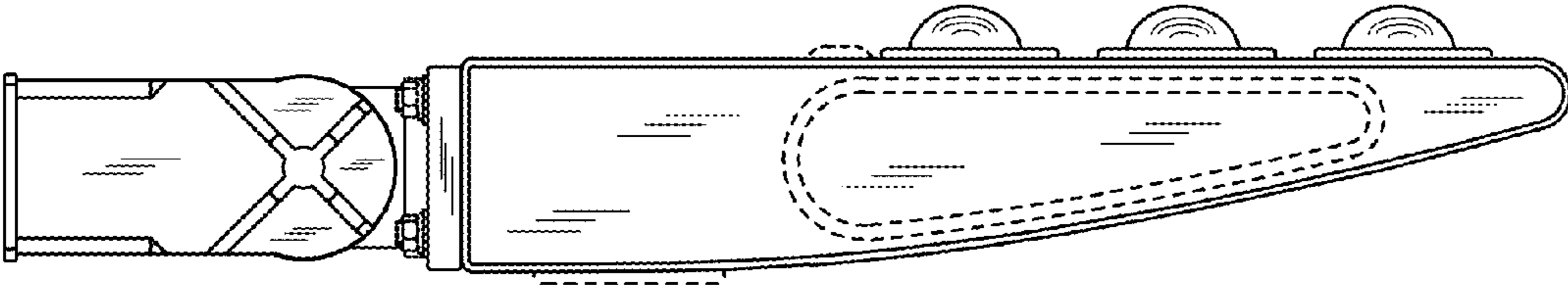


Fig. 3

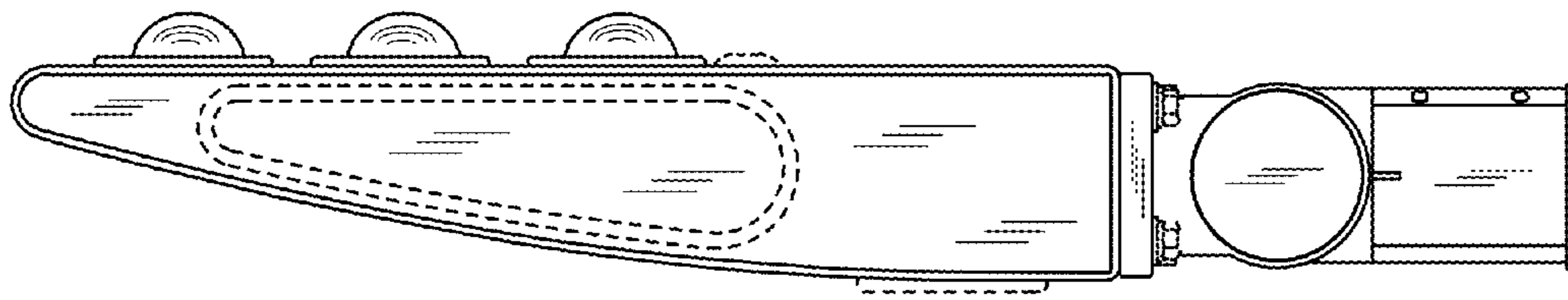


Fig. 4

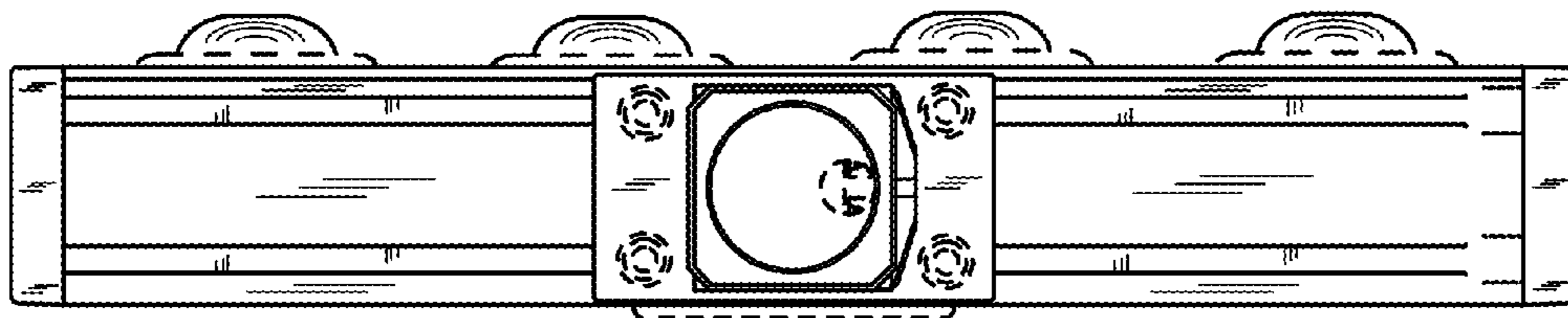


Fig. 5

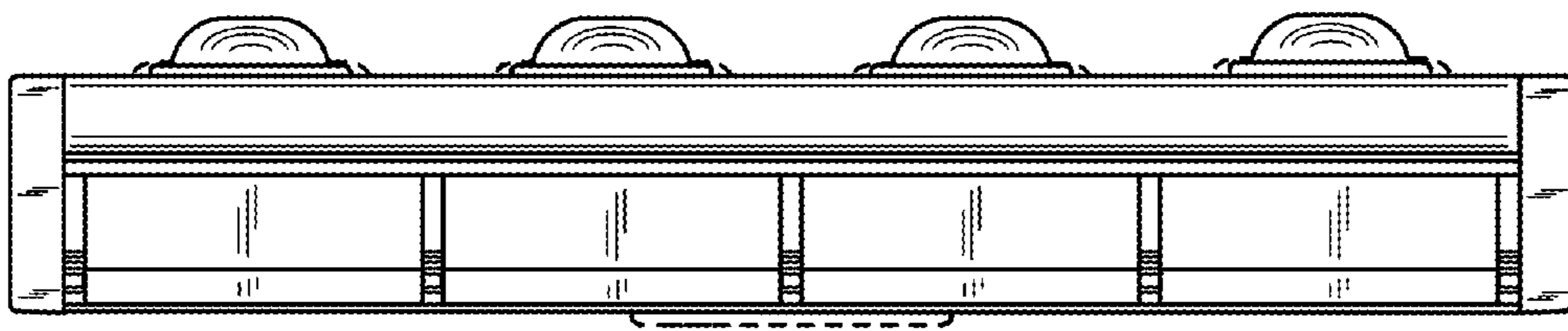


Fig. 6

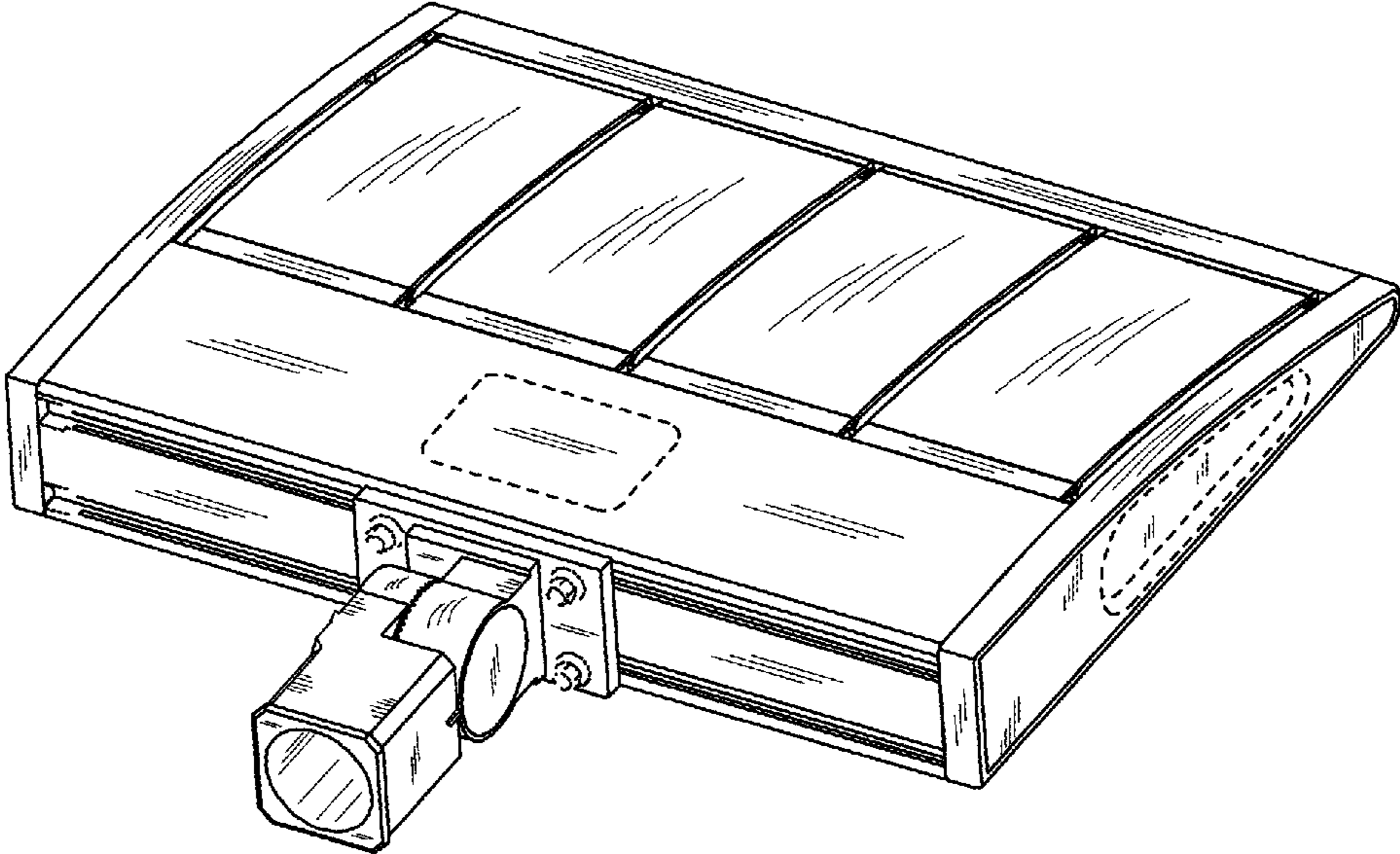


Fig. 7

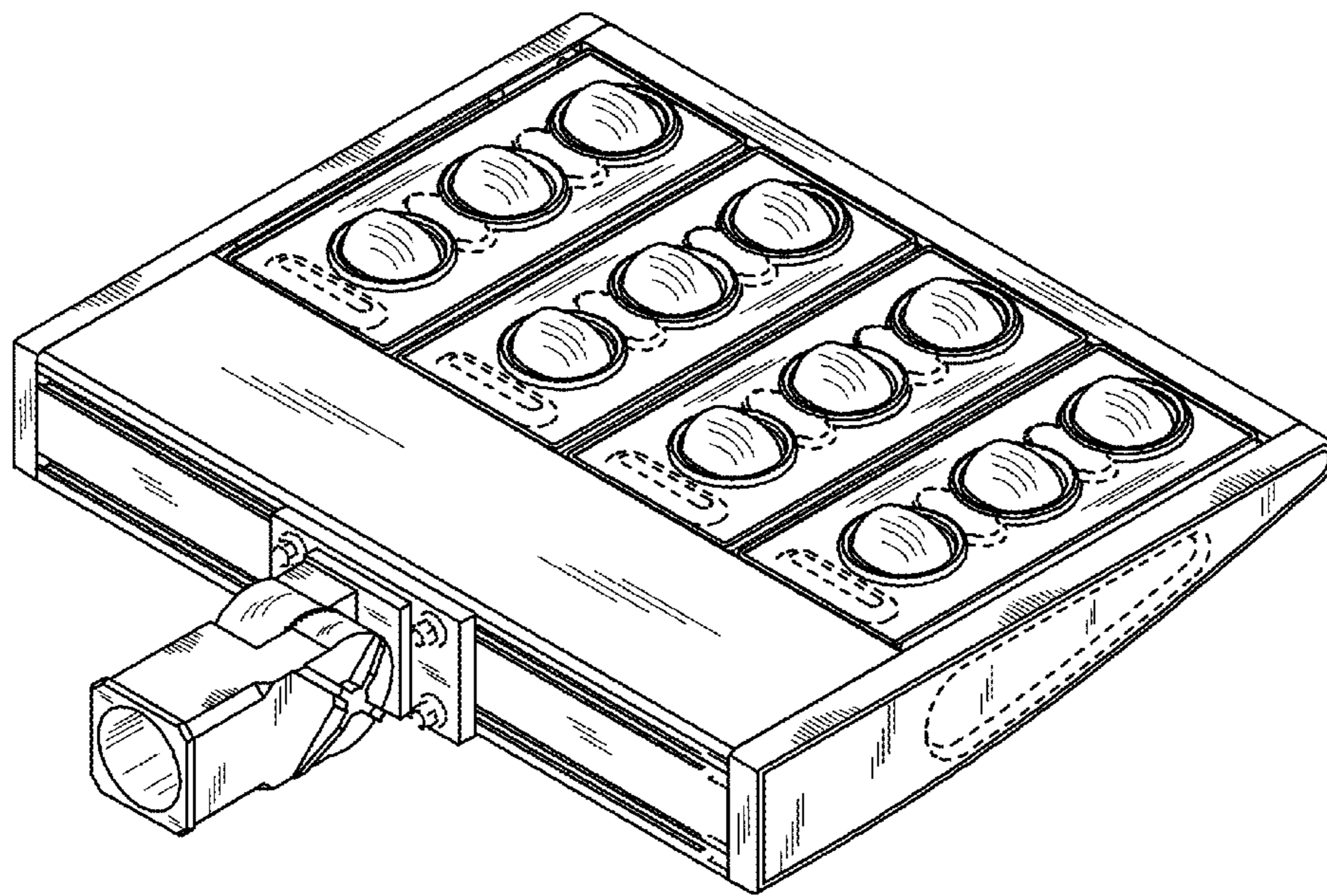


Fig. 8