



US00D744142S

(12) **United States Design Patent**  
**Bobel**

(10) **Patent No.:** **US D744,142 S**  
(45) **Date of Patent:** **\*\* Nov. 24, 2015**

(54) **LIGHT FIXTURE**

(71) Applicant: **Neptun Light, Inc.**, Lake Forest, IL (US)

(72) Inventor: **Andrzej Bobel**, Lake Forest, IL (US)

(73) Assignee: **Neptun Light, Inc.**, Lake Forest, IL (US)

(\*\*) Term: **14 Years**

(21) Appl. No.: **29/494,095**

(22) Filed: **Jun. 17, 2014**

(51) **LOC (10) Cl.** ..... **26-03**

(52) **U.S. Cl.**  
USPC ..... **D26/63**

(58) **Field of Classification Search**  
USPC ..... D26/1, 24, 61, 63, 65, 85, 92, 71, 102, D26/106, 107  
CPC ..... F21V 21/14; F21V 15/01; F21V 14/02; F21V 21/30; F21V 21/00; F21V 14/00; F21S 8/00; F21S 8/003; F21S 8/043; F21Y 2105/001  
See application file for complete search history.

(56) **References Cited**

**U.S. PATENT DOCUMENTS**

D572,396 S \* 7/2008 Guercio ..... D26/63  
D615,235 S \* 5/2010 Zheng ..... D26/71

D625,870 S \* 10/2010 Feigenbaum ..... D26/63  
D650,504 S \* 12/2011 Kim et al. .... D26/63  
D695,435 S \* 12/2013 Pedersen ..... D26/63  
D699,877 S \* 2/2014 Song et al. .... D26/63  
D711,576 S \* 8/2014 Zhan ..... D26/63  
D723,727 S \* 3/2015 Moeller ..... D26/63  
D734,522 S \* 7/2015 Coulbeaut ..... D26/63

\* cited by examiner

*Primary Examiner* — Brian N Vinson

(74) *Attorney, Agent, or Firm* — Adam S. Babel

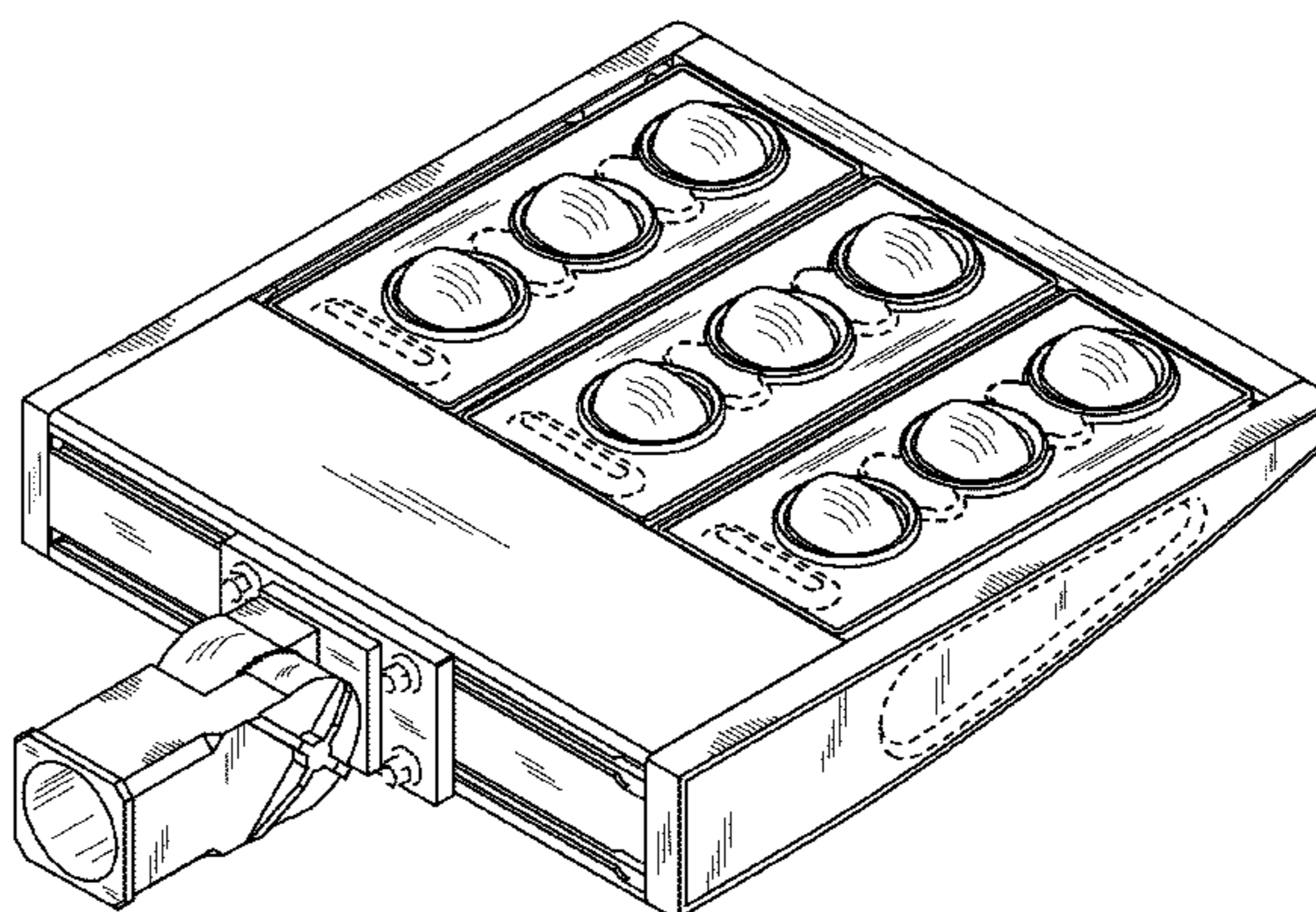
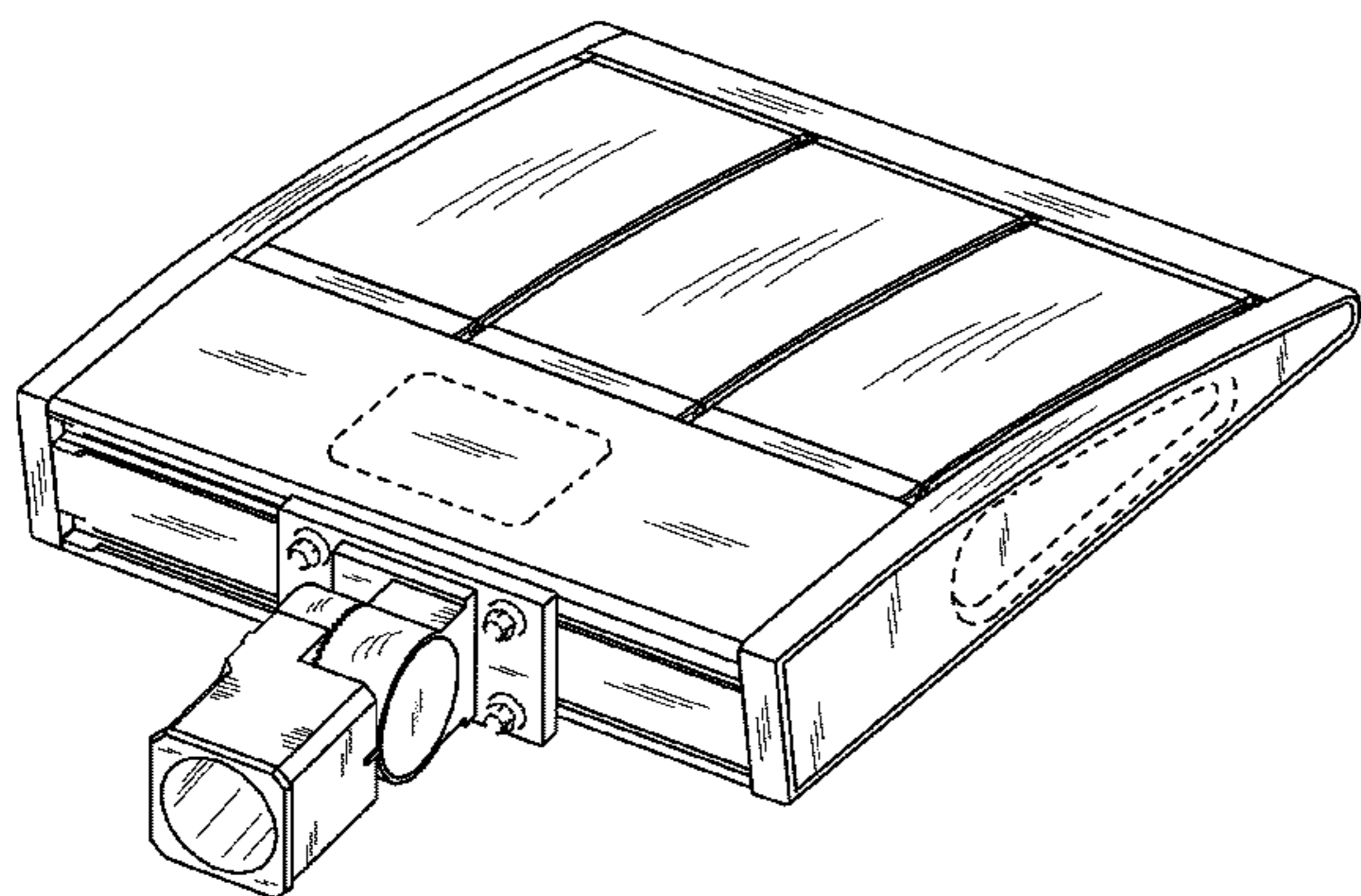
(57) **CLAIM**

The ornamental design for a light fixture, as shown and described.

**DESCRIPTION**

FIG. 1 is a top side view of light fixture showing the claimed design;  
FIG. 2 is a bottom side view thereof;  
FIG. 3 is a right side view thereof;  
FIG. 4 is a left side view thereof;  
FIG. 5 is a rear side view thereof;  
FIG. 6 is a front view thereof;  
FIG. 7 is a bottom perspective view thereof; and,  
FIG. 8 is a top perspective view thereof.  
The broken lines are included for the purpose of illustrating environmental structure.  
The broken line disclosure represents unclaimed portions of the light fixture.

**1 Claim, 8 Drawing Sheets**



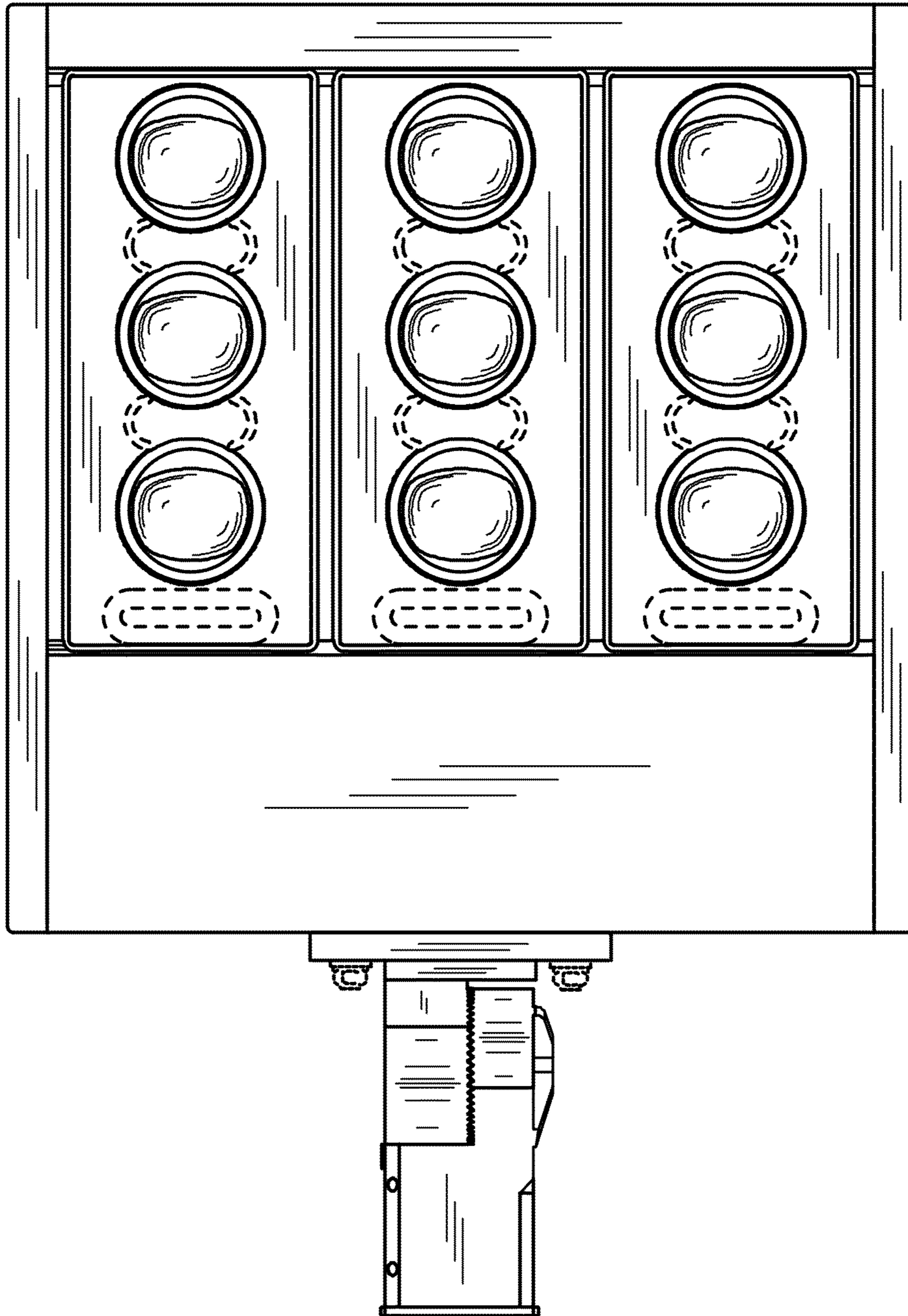


Fig. 1

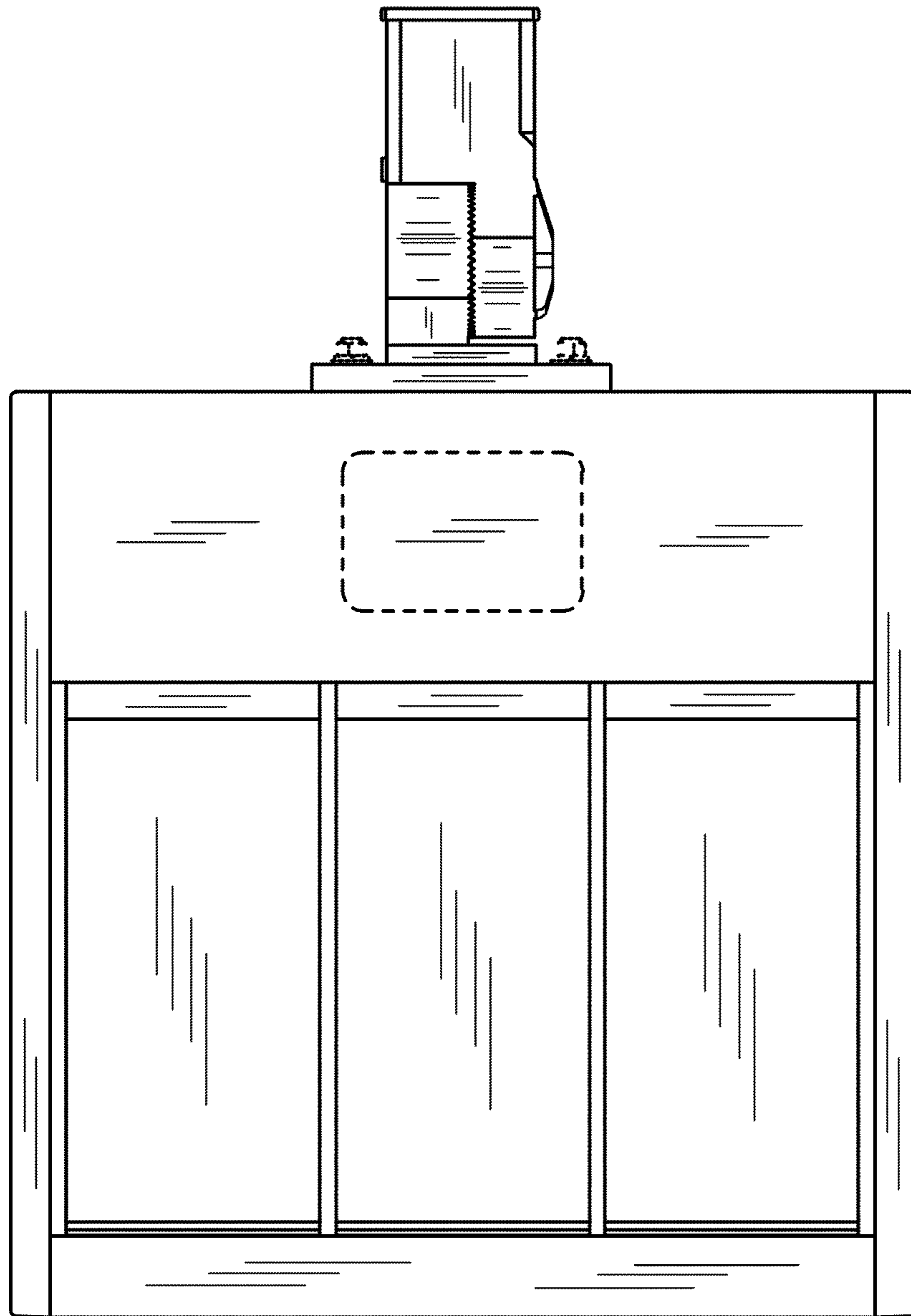


Fig. 2

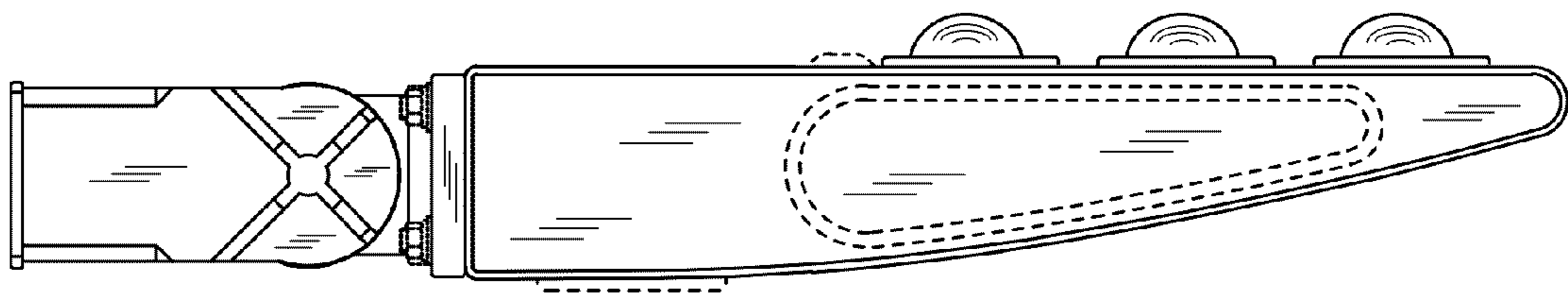


Fig. 3

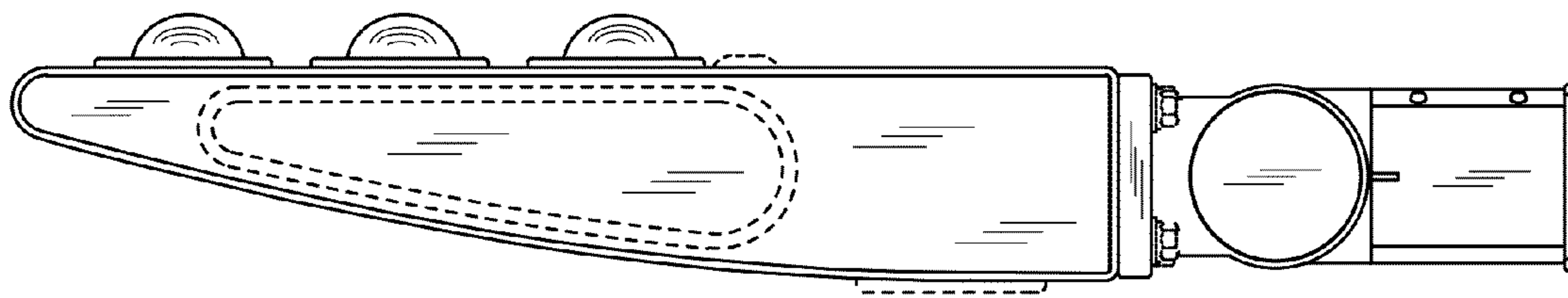


Fig. 4

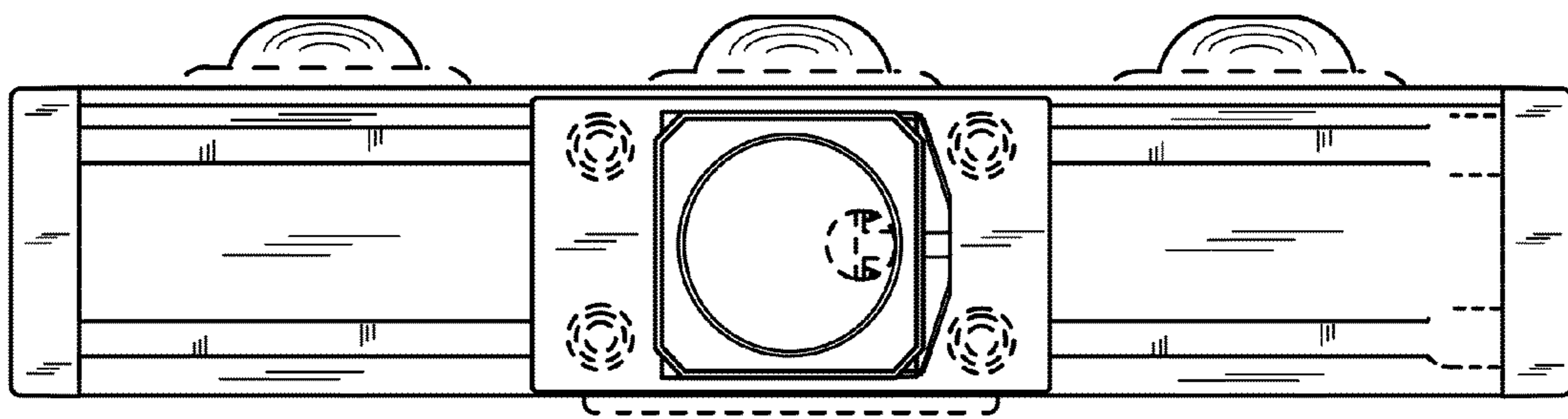


Fig. 5

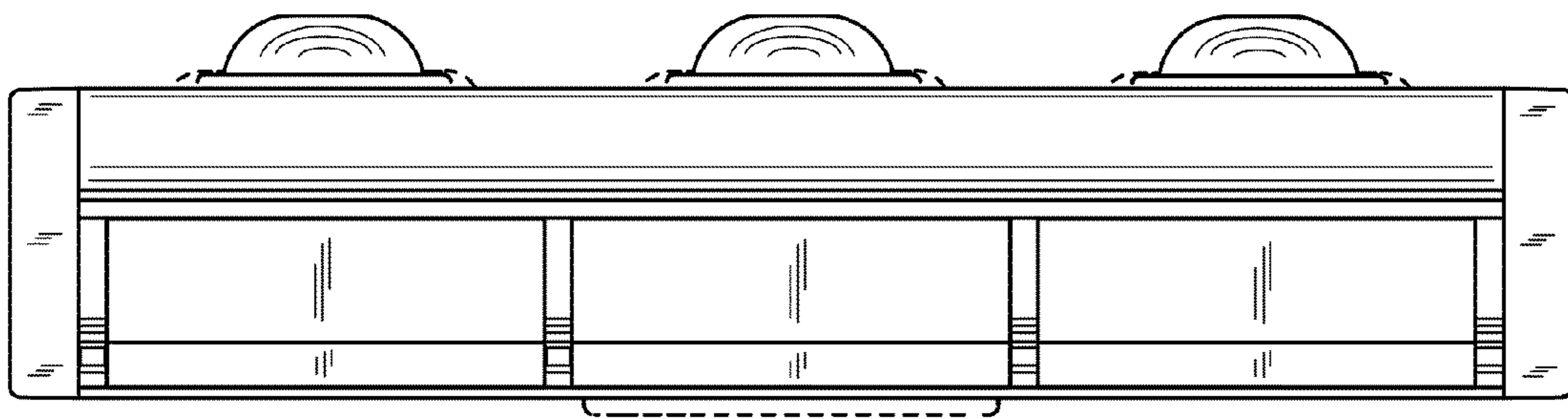


Fig. 6

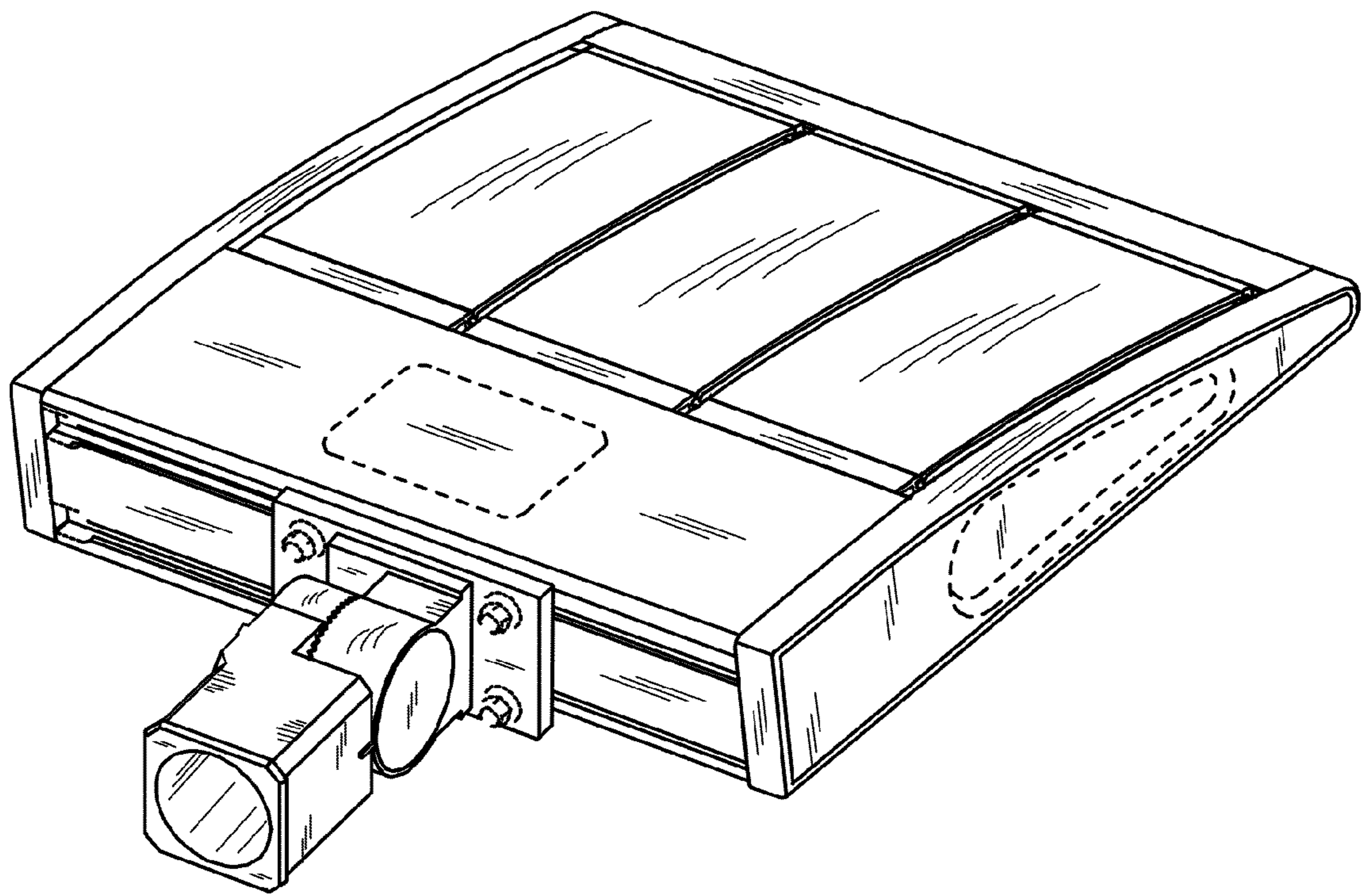


Fig. 7



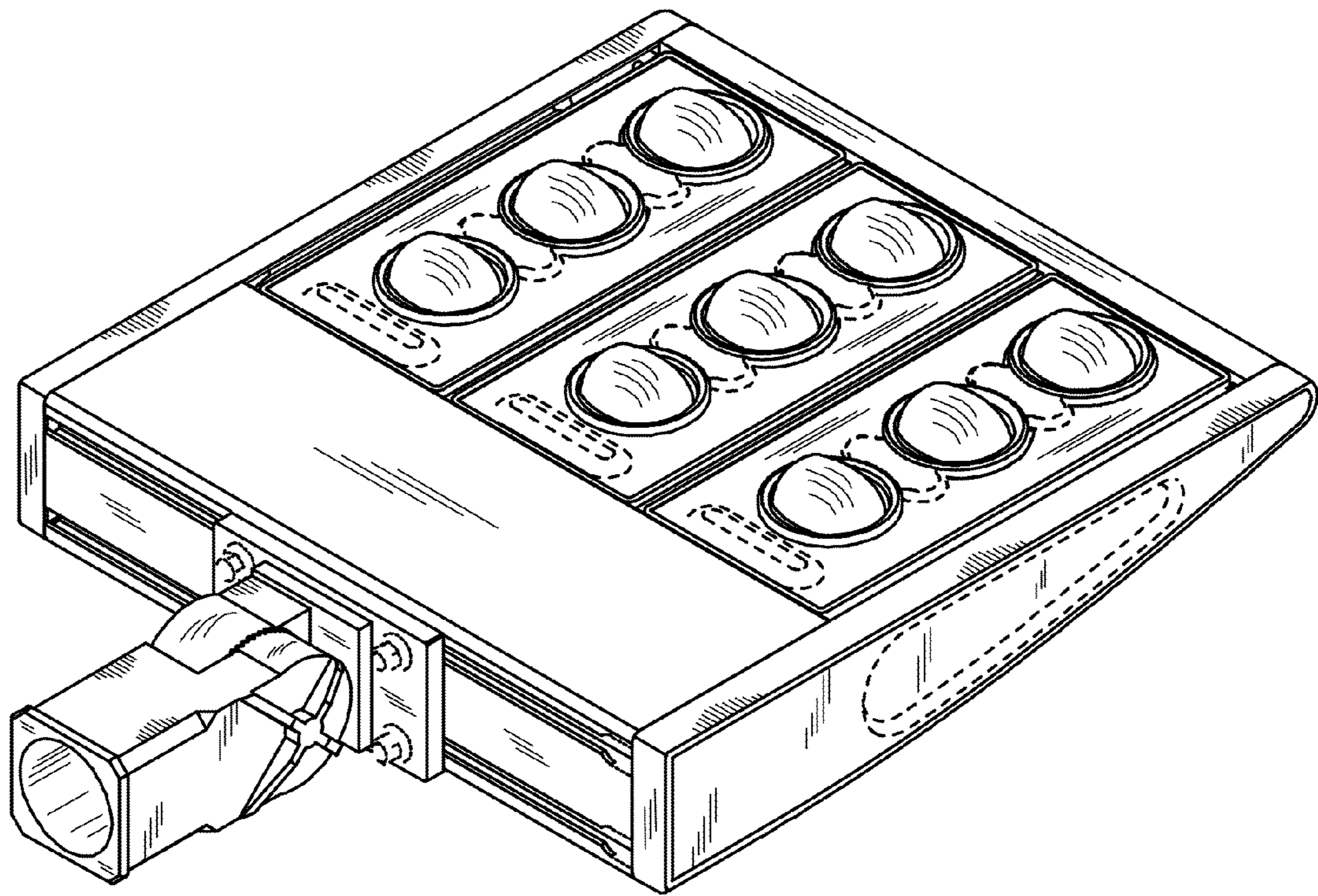


Fig. 8