



US00D744139S

(12) **United States Design Patent**
Itoh et al.

(10) **Patent No.:** **US D744,139 S**
(45) **Date of Patent:** **** Nov. 24, 2015**

(54) **FLOODLIGHT**

(71) Applicant: **Hitachi Koki Co., Ltd.**, Minato-Ku,
Tokyo (JP)

(72) Inventors: **Takafumi Itoh**, Hitachinaka (JP);
Masato Sakai, Hitachinaka (JP);
Masanori Okada, Hitachinaka (JP)

(73) Assignee: **Hitachi Koki Co., Ltd.**, Minato-Ku,
Tokyo (JP)

(**) Term: **14 Years**

(21) Appl. No.: **29/466,213**

(22) Filed: **Sep. 5, 2013**

(30) **Foreign Application Priority Data**

Mar. 5, 2013 (JP) 2013-004771

(51) **LOC (10) Cl.** **26-03**

(52) **U.S. Cl.**
USPC **D26/63**

(58) **Field of Classification Search**
USPC D26/1, 24, 61, 63, 65, 85, 92
CPC F21V 21/14; F21V 15/01; F21V 14/02;
F21V 21/30; F21V 21/00; F21V 14/00;
F21S 8/00; F21S 8/003; F21S 8/043; F21Y
2105/001

See application file for complete search history.

(56) **References Cited**

U.S. PATENT DOCUMENTS

D375,376 S	*	11/1996	Shen	D26/63
D451,226 S	*	11/2001	Leen	D26/63
D505,220 S	*	5/2005	Stekelenburg	D26/61
D638,571 S	*	5/2011	Chilton	D26/93
D687,590 S	*	8/2013	Chilton et al.	D26/93
D689,232 S	*	9/2013	Velazquez	D26/63

* cited by examiner

Primary Examiner — Brian N Vinson

(74) *Attorney, Agent, or Firm* — Banner & Witcoff, Ltd.

(57) **CLAIM**

The ornamental design for a floodlight, as shown and described.

DESCRIPTION

FIG. 1 is a perspective view of the floodlight showing our new design;

FIG. 2 is a front view thereof;

FIG. 3 is a rear view thereof;

FIG. 4 is a left side view thereof;

FIG. 5 is a right side view thereof;

FIG. 6 is a top plan view thereof;

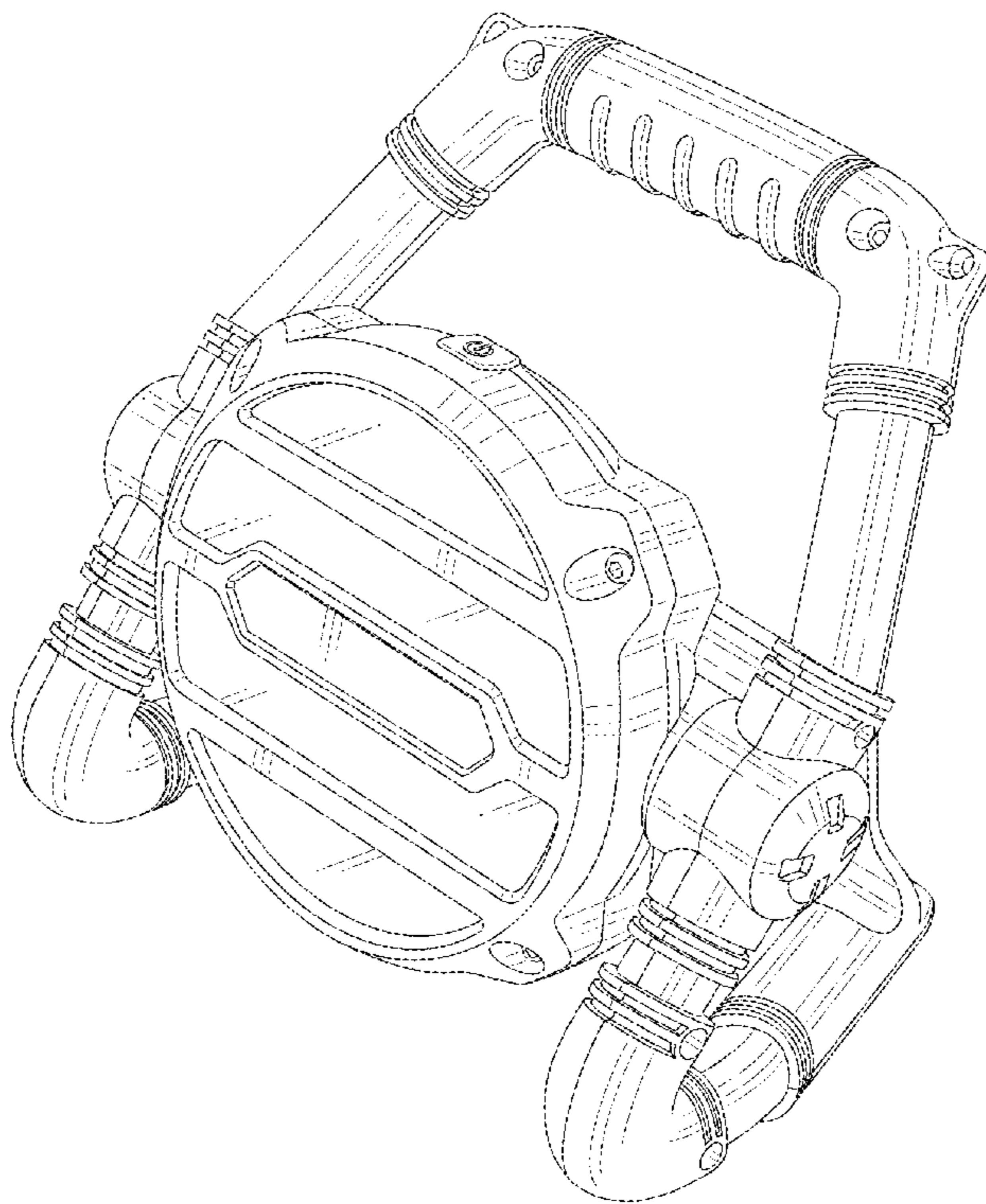
FIG. 7 is a bottom view thereof;

FIG. 8 is a reference perspective view showing a state where a battery is attached; and,

FIG. 9 is a reference perspective view showing a state where another battery is attached.

The broken lines represent the portions of the design that form no part of the claim.

1 Claim, 9 Drawing Sheets



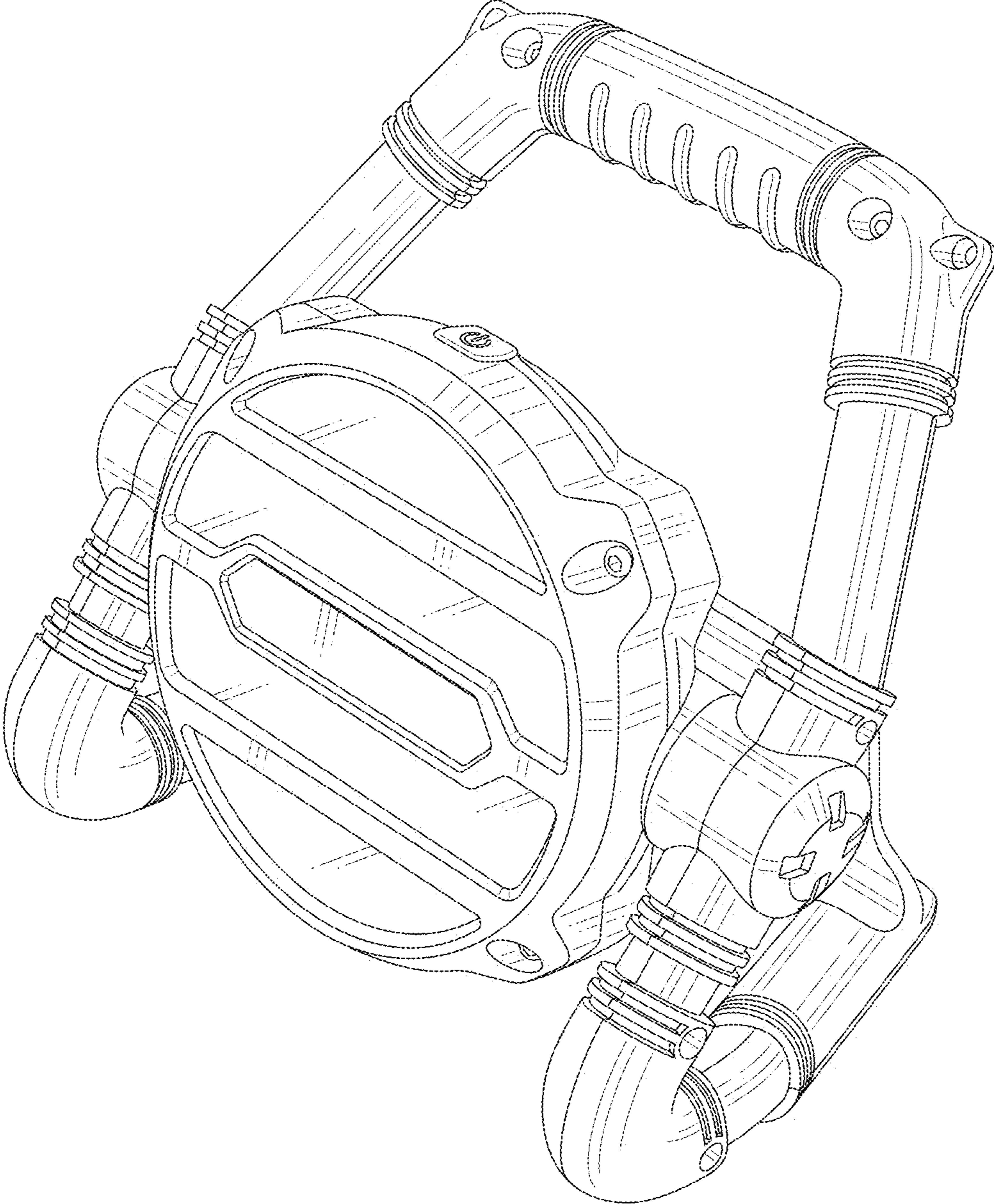


FIG. 1

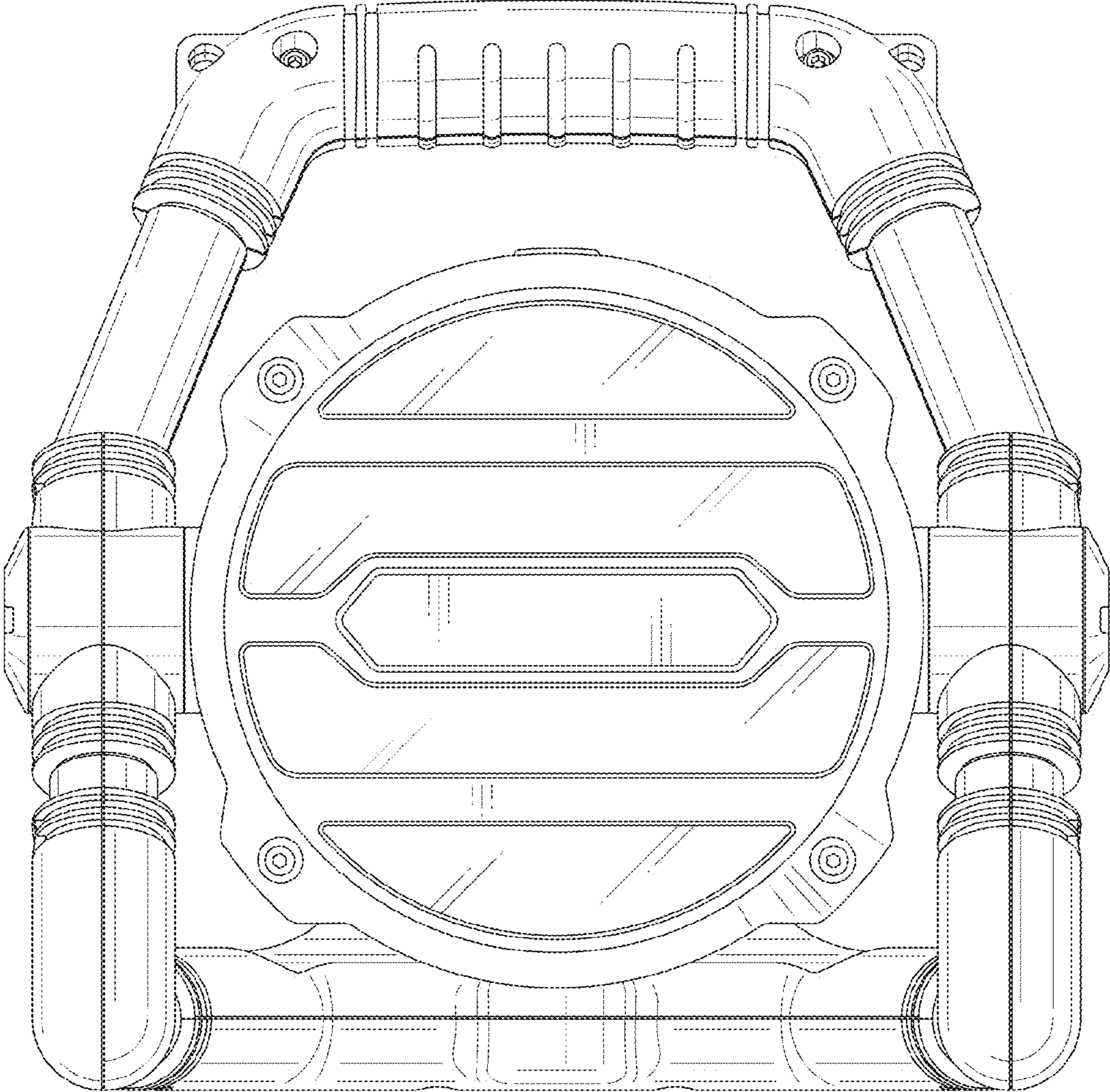


FIG. 2

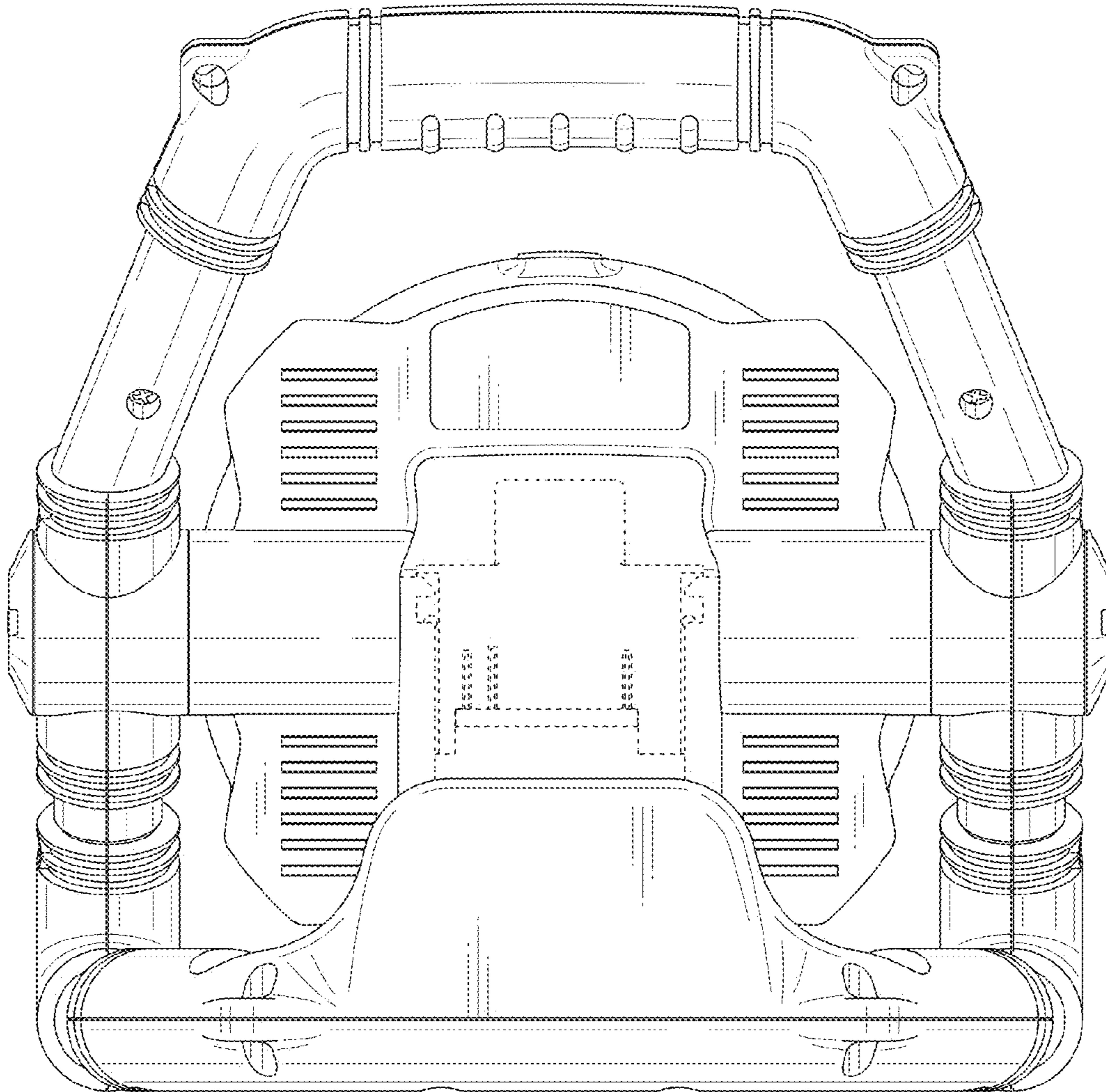


FIG. 3

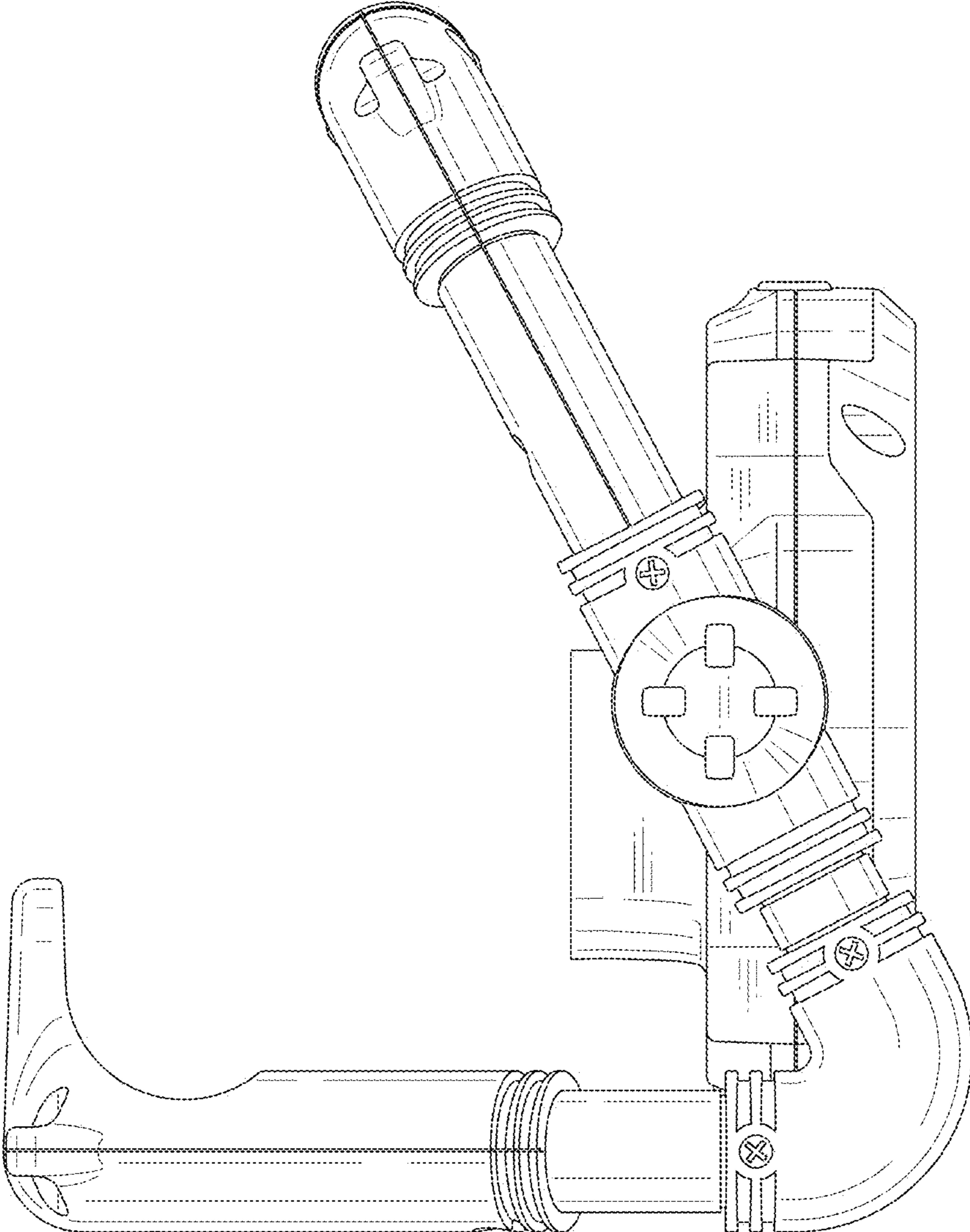


FIG. 4

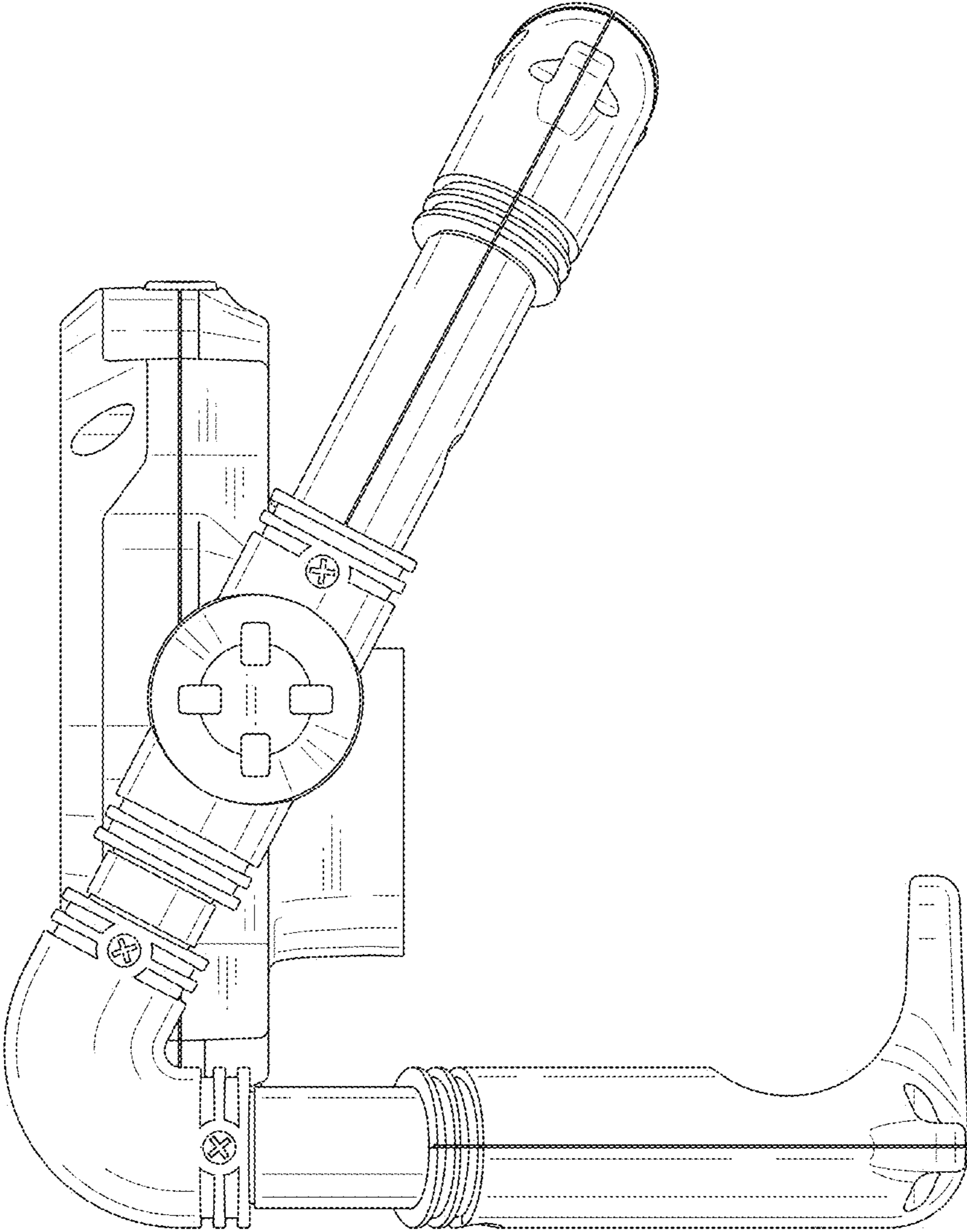


FIG. 5

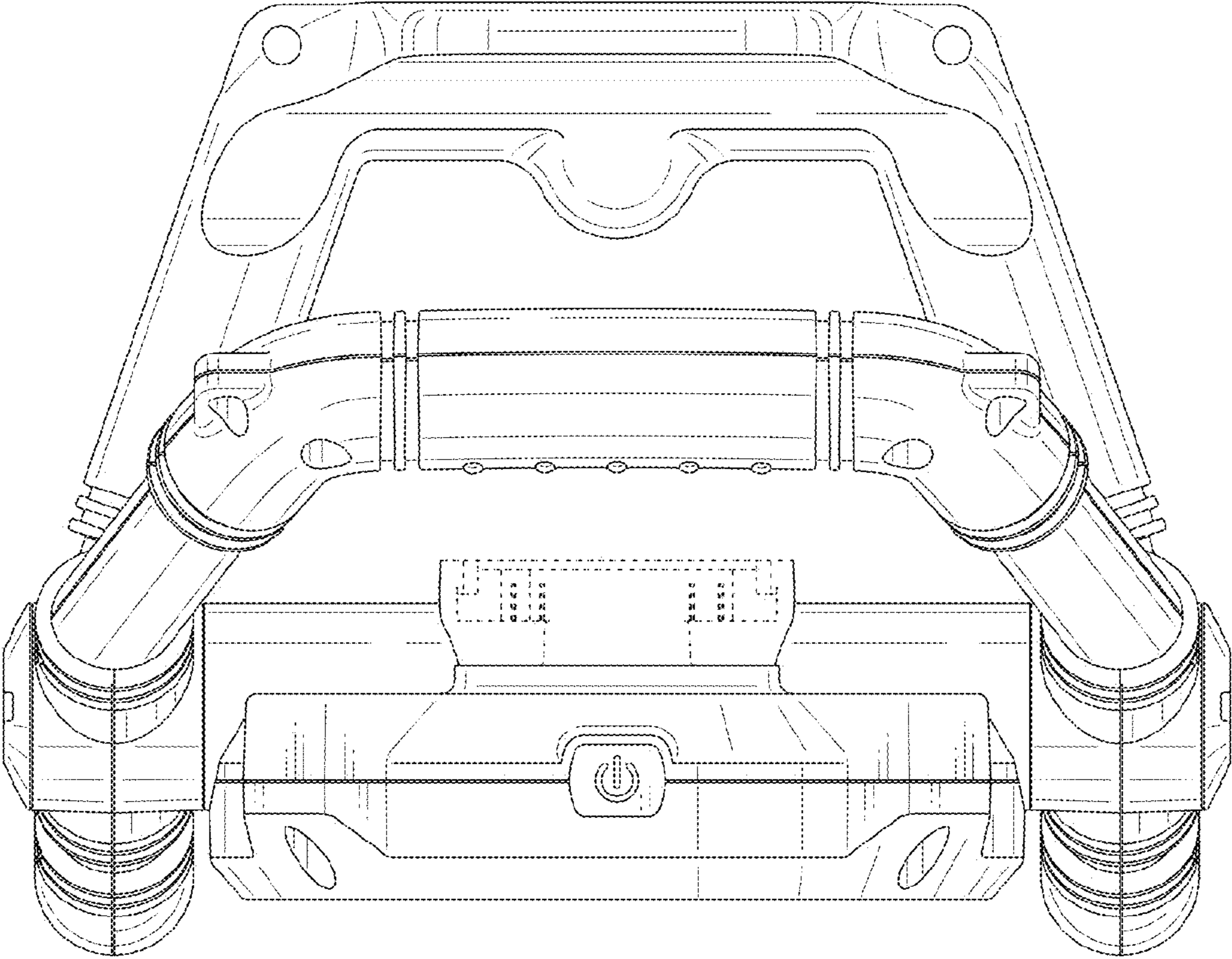


FIG. 6

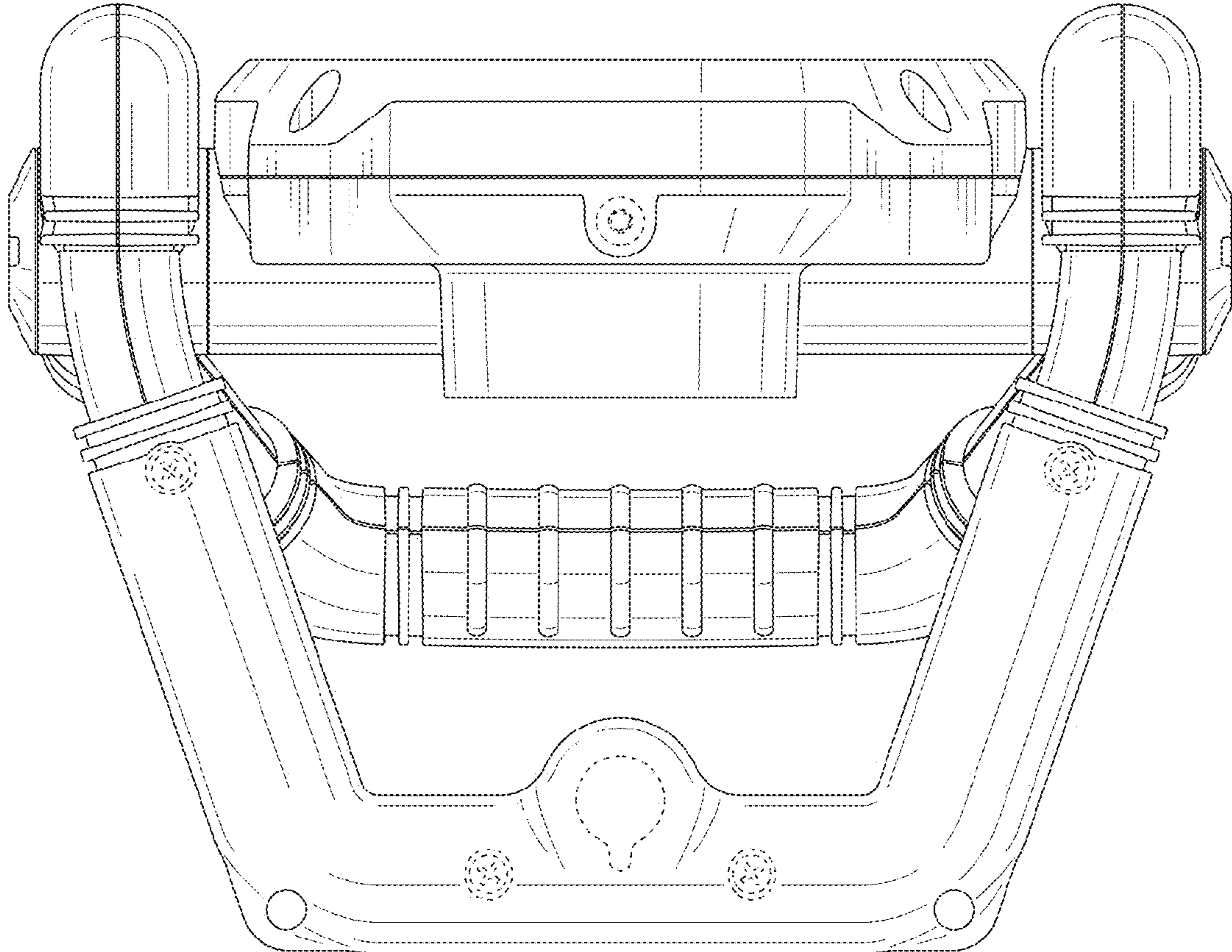


FIG. 7

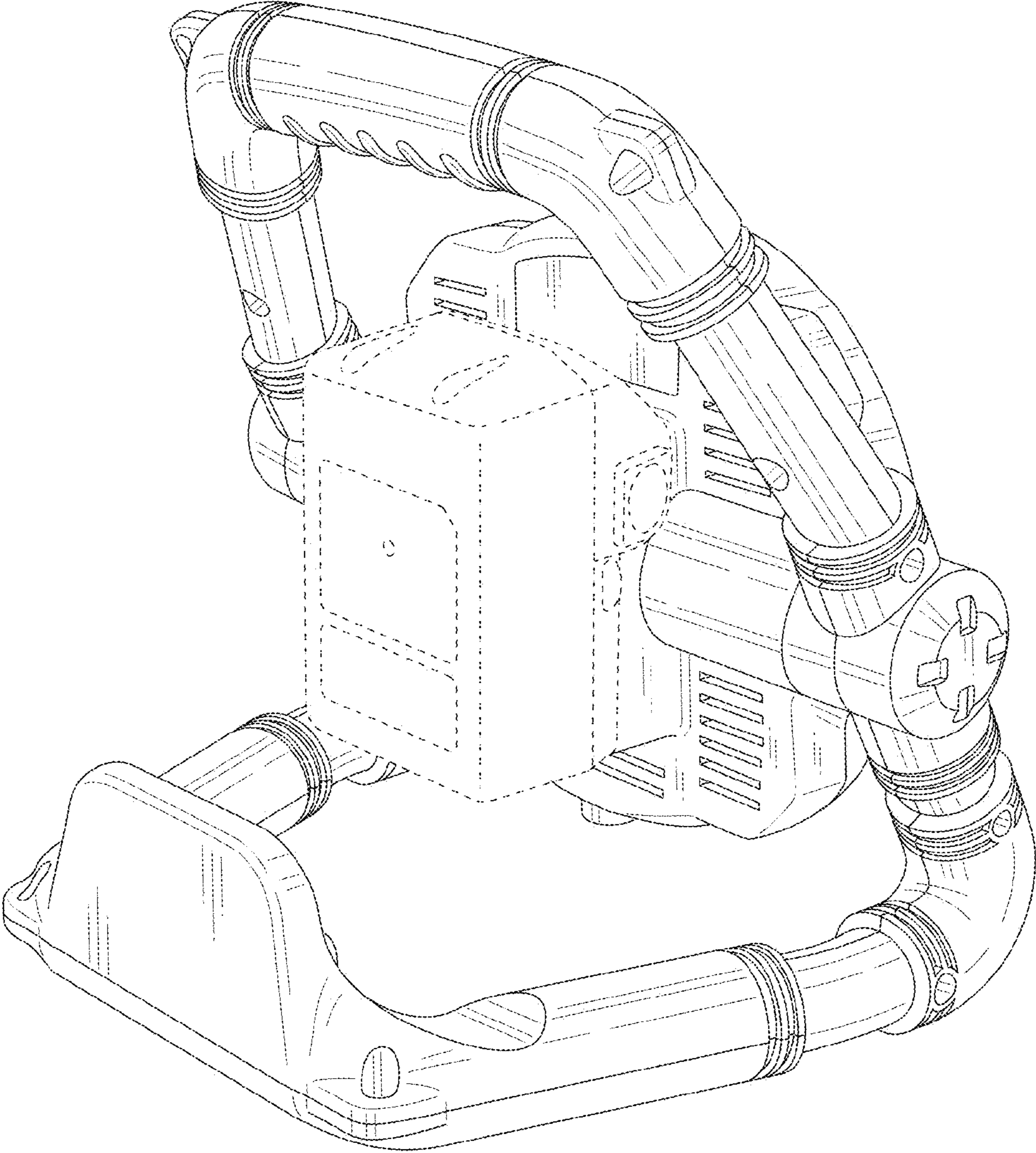


FIG. 8

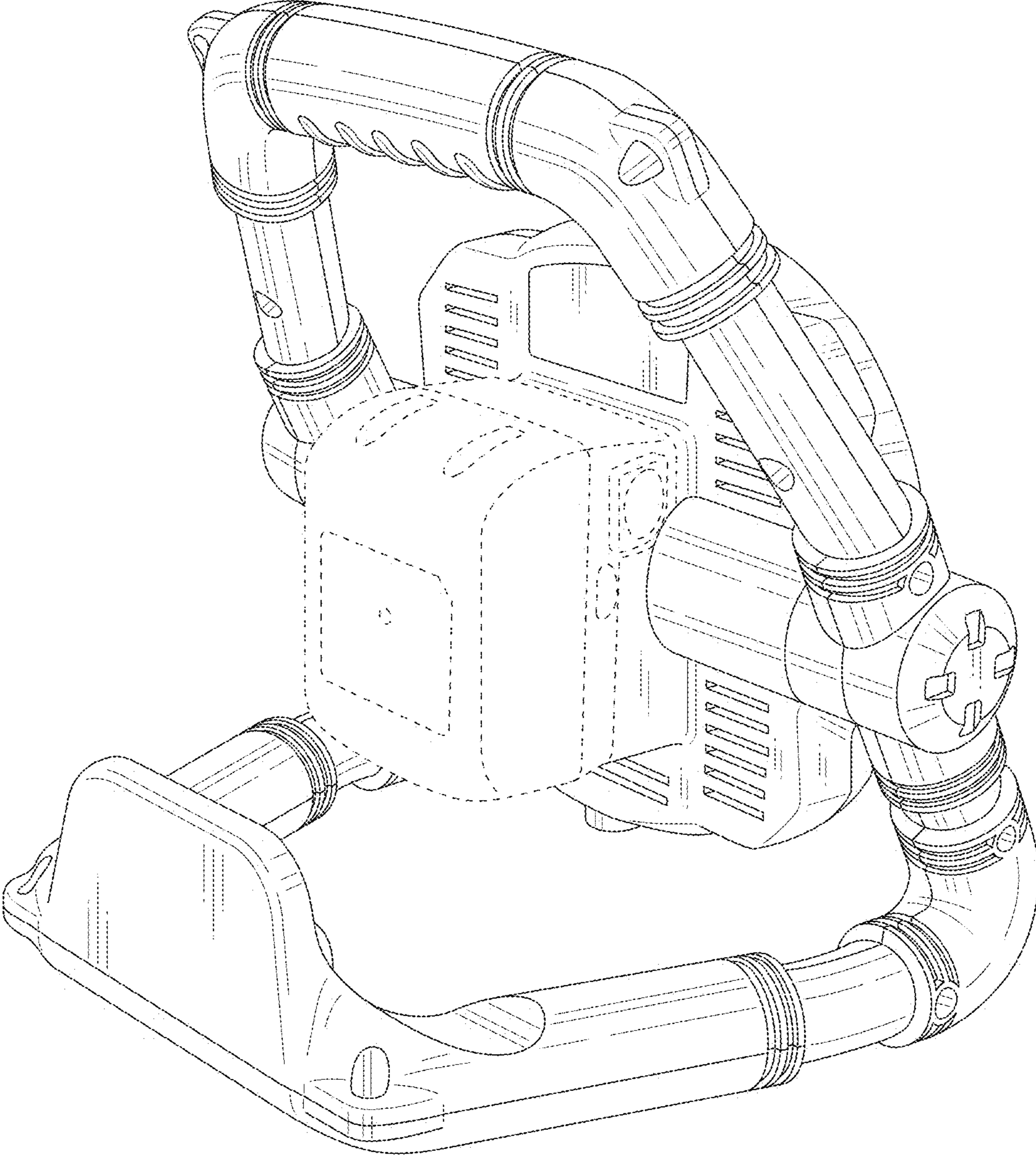


FIG. 9