



US00D744138S

(12) **United States Design Patent**
O’Leary et al.

(10) **Patent No.:** **US D744,138 S**

(45) **Date of Patent:** **** Nov. 24, 2015**

(54) **MODULAR EDGELIT LUMINAIRE**

2008/0212329 A1 9/2008 Duguay et al.
2011/0216532 A1 9/2011 Bryant et al.
2012/0320627 A1 12/2012 Araki et al.

(71) Applicants: **Marc Raymond O’Leary**, Aurora, CO (US); **William Getzinger**, Aurora, CO (US); **Bradley Stephen Garrett**, Evergreen, CO (US)

FOREIGN PATENT DOCUMENTS

WO WO 2014/031155 2/2014

(72) Inventors: **Marc Raymond O’Leary**, Aurora, CO (US); **William Getzinger**, Aurora, CO (US); **Bradley Stephen Garrett**, Evergreen, CO (US)

OTHER PUBLICATIONS

International Search Report for PCT/US2014/034812, mailed Aug. 7, 2014.

(73) Assignee: **Cooper Technologies Company**, Houston, TX (US)

* cited by examiner

Primary Examiner — Brian N Vinson

(**) Term: **14 Years**

(74) *Attorney, Agent, or Firm* — King & Spalding LLP

(21) Appl. No.: **29/452,683**

(57) **CLAIM**

The ornamental design for a modular edgelit luminaire, as shown and described.

(22) Filed: **Apr. 19, 2013**

DESCRIPTION

(51) **LOC (10) Cl.** **26-03**

FIG. 1 is a top perspective view of a modular edgelit luminaire, showing our new design;

(52) **U.S. Cl.**

FIG. 2 is a bottom perspective view of the modular edgelit luminaire of FIG. 1;

USPC **D26/63**

FIG. 3 is a top plan view of the modular edgelit luminaire of FIG. 1;

(58) **Field of Classification Search**

USPC D26/24, 61, 63

FIG. 4 is a bottom plan view of the modular edgelit luminaire of FIG. 1;

CPC F21S 8/00; F21S 8/003; F21S 8/036;

FIG. 5 is a right-side elevation view of the modular edgelit luminaire of FIG. 1;

F21S 8/038; F21S 8/043; F21V 21/00; F21V

FIG. 6 is a left-side elevation view of the modular edgelit luminaire of FIG. 1;

21/02; F21V 21/116; F21W 2131/08; F21W

FIG. 7 is a front elevation view of the modular edgelit luminaire of FIG. 1; and,

2131/107; F21W 2131/406; F21Y 2105/00

FIG. 8 is a rear elevation view of the modular edgelit luminaire of FIG. 1.

See application file for complete search history.

The broken lines shown represent portions of the luminaire which forms no part of the claimed design, and the area between the parallel broken away lines forms no part of the claimed design.

(56) **References Cited**

U.S. PATENT DOCUMENTS

6,945,668	B1	9/2005	Orlov et al.	
D581,080	S *	11/2008	Mier-Langner	D26/63
D586,934	S *	2/2009	Ogashiwa	D26/63
D627,909	S *	11/2010	Hu et al.	D26/63
D645,185	S *	9/2011	Chen et al.	D26/63
D661,421	S *	6/2012	Hor et al.	D26/63
D700,726	S *	3/2014	Kim et al.	D26/63
D711,577	S *	8/2014	Zhan	D26/65

1 Claim, 5 Drawing Sheets

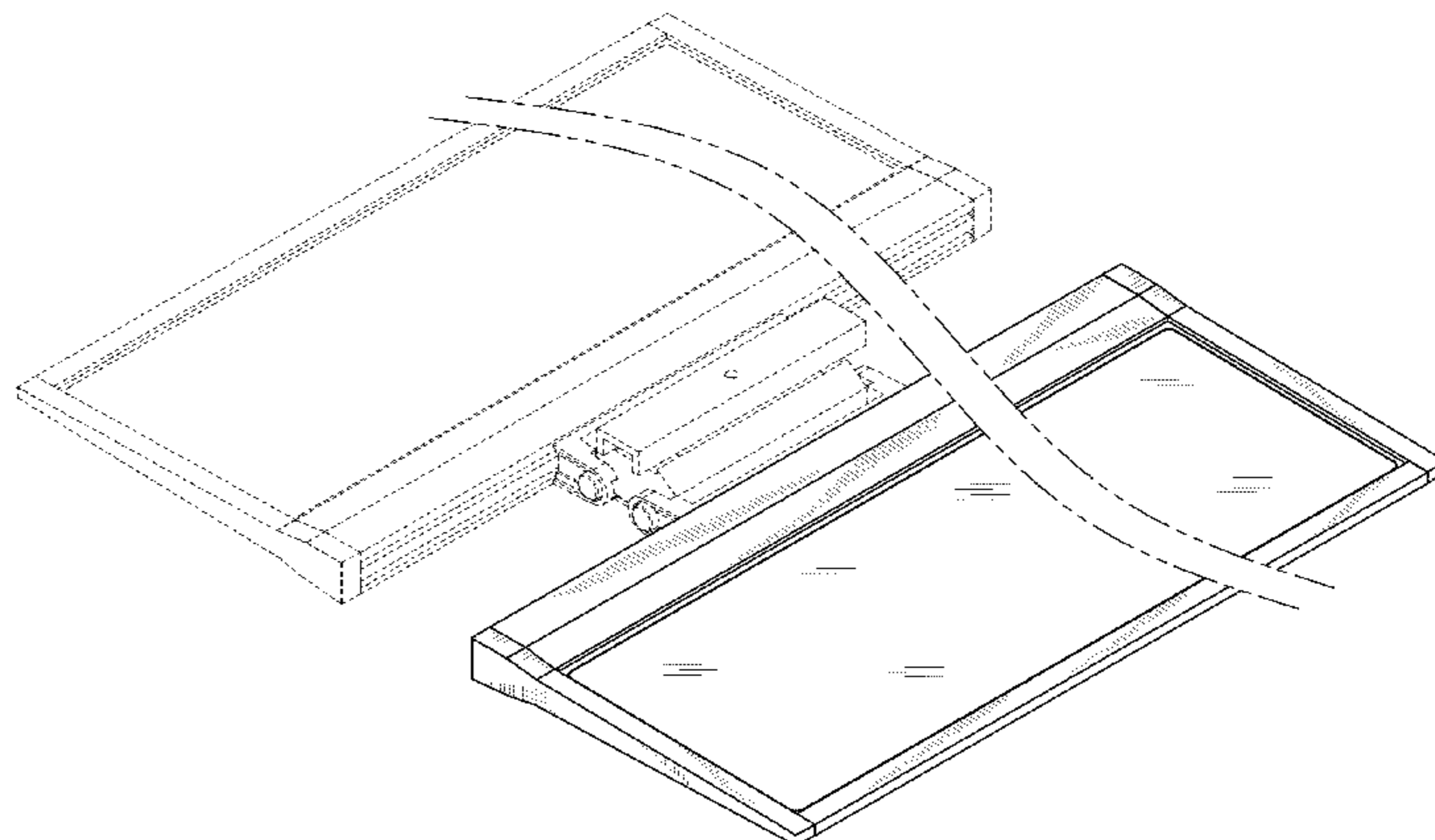


FIG. 1

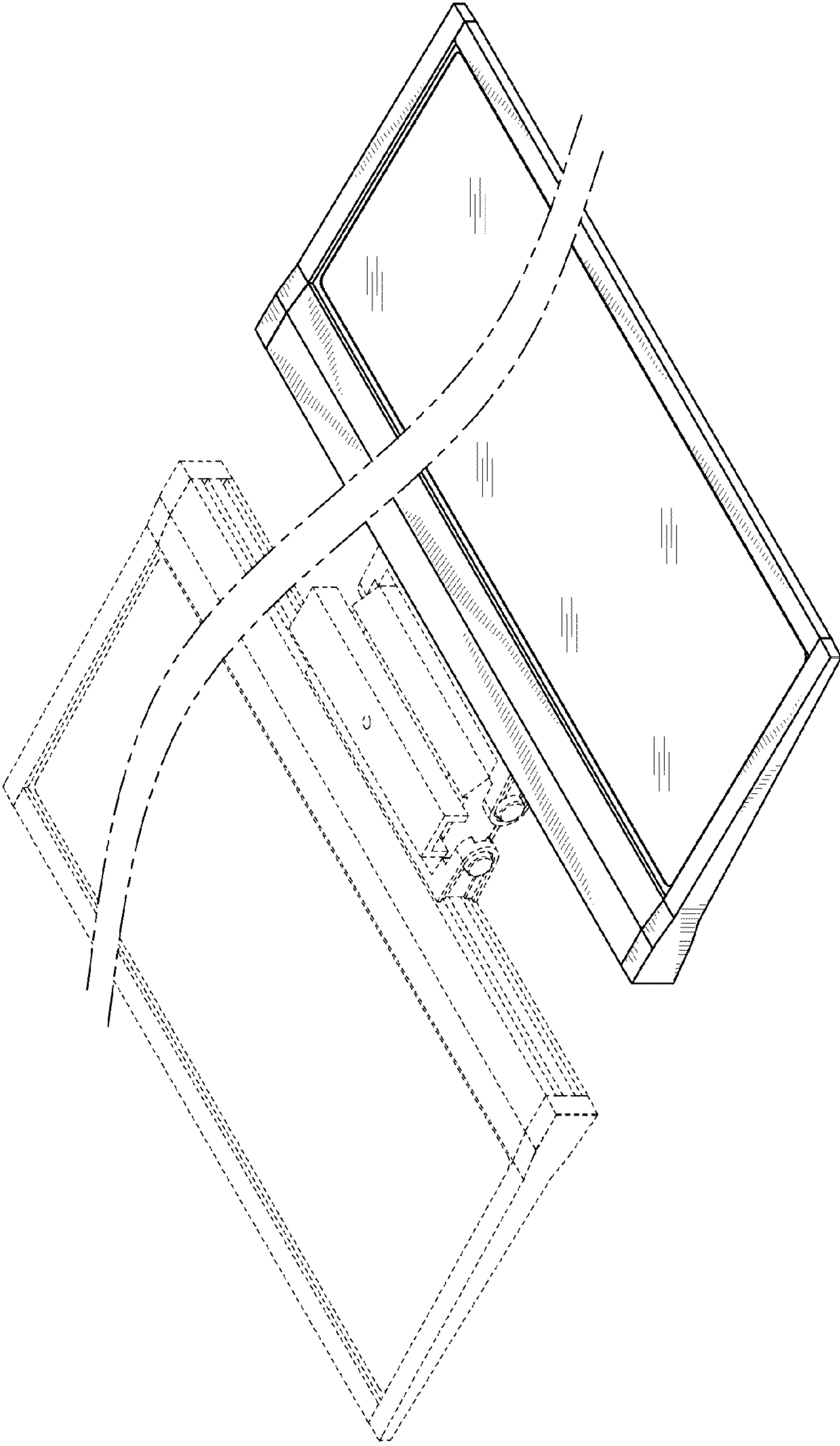


FIG. 2

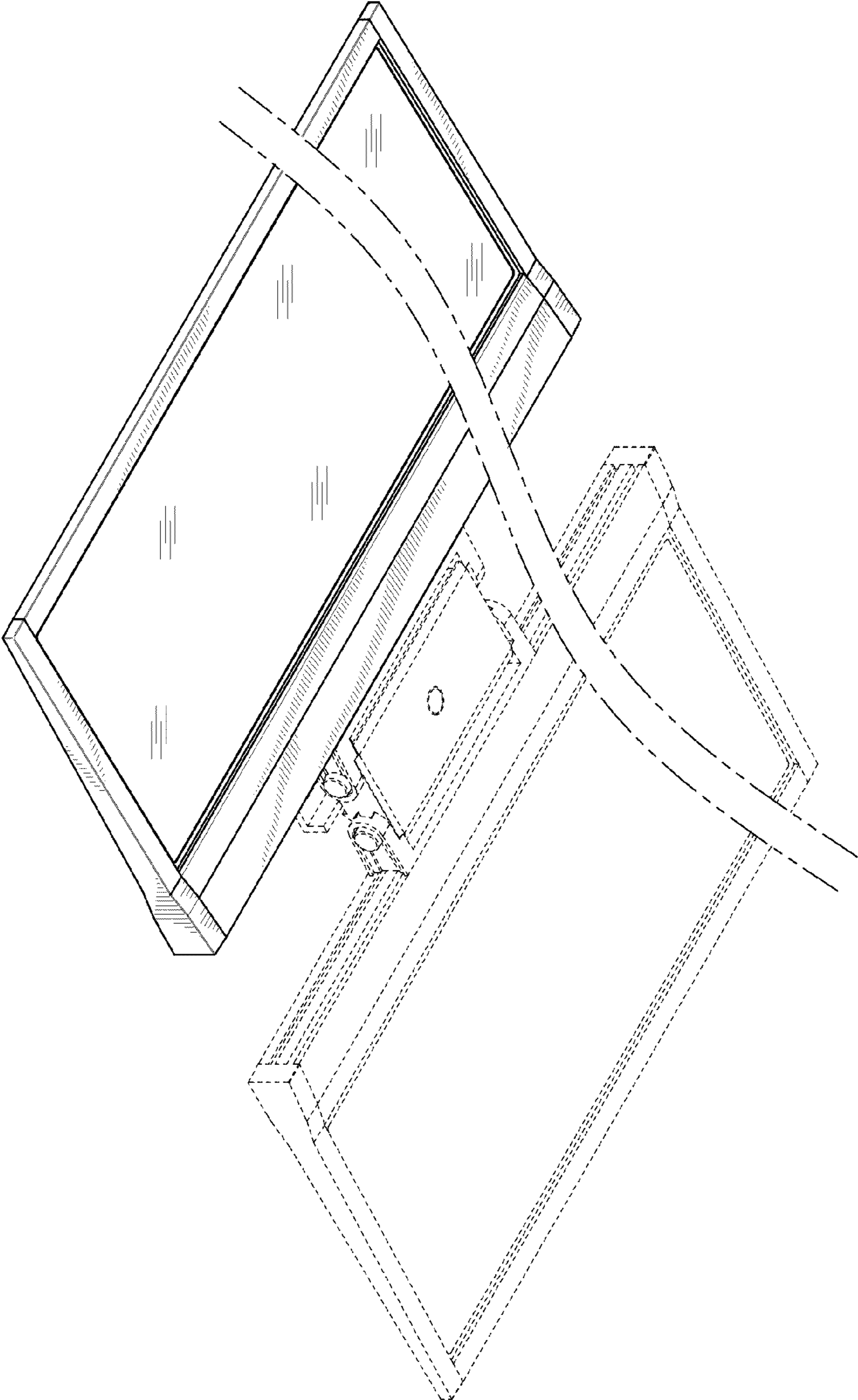


FIG. 3

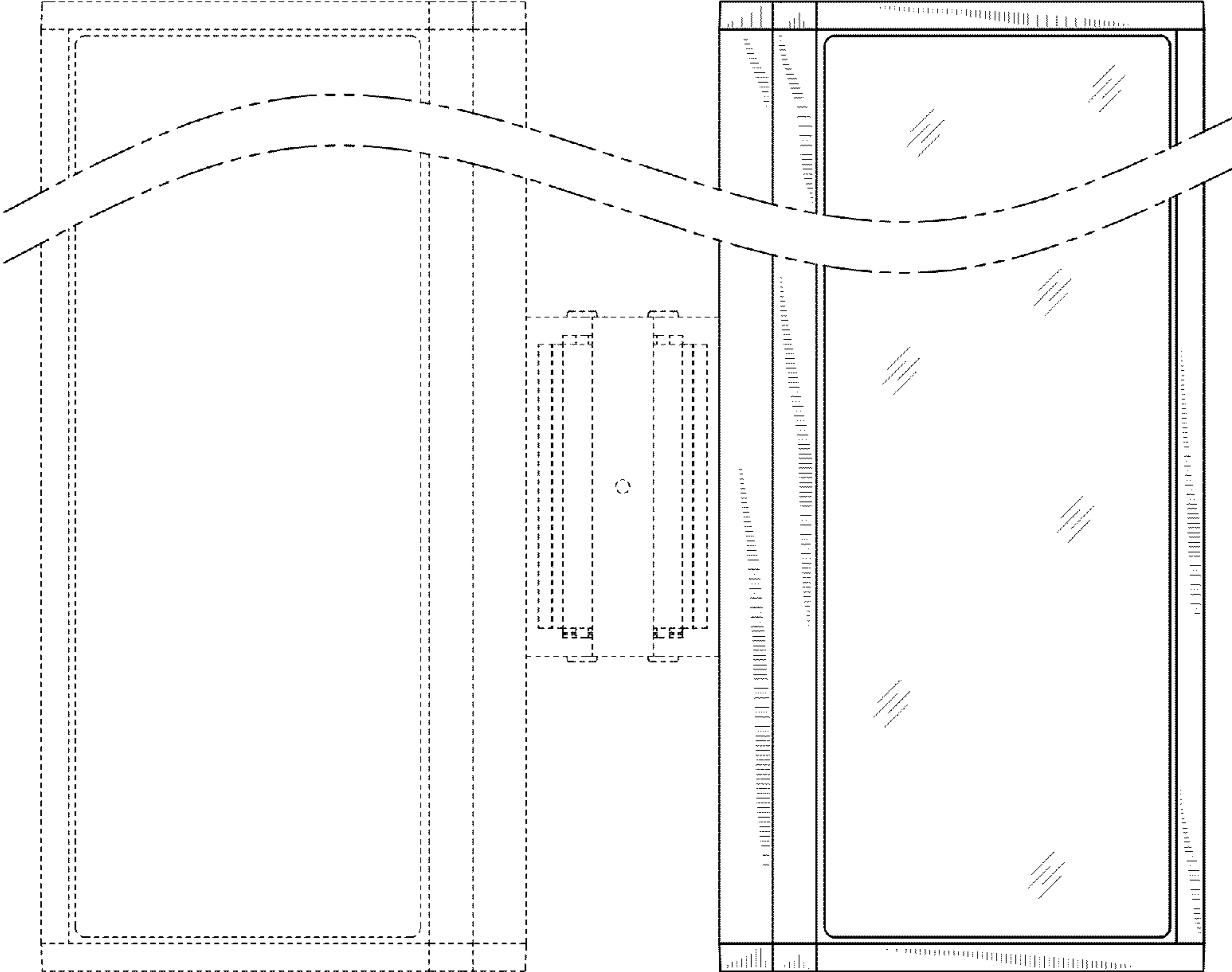


FIG. 4

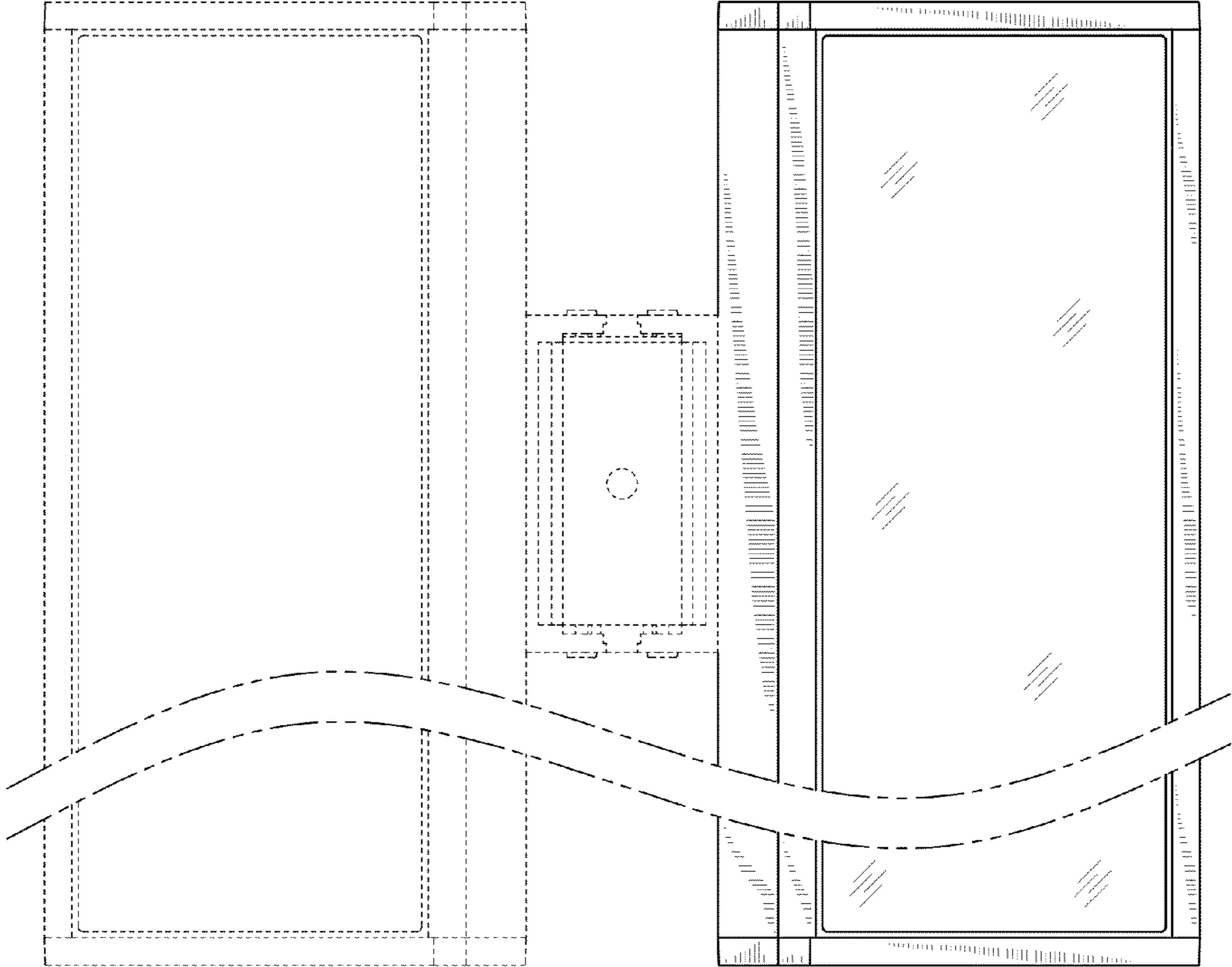


FIG. 5

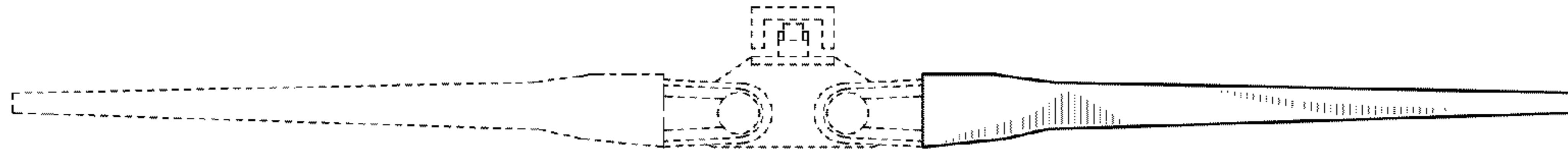


FIG. 6

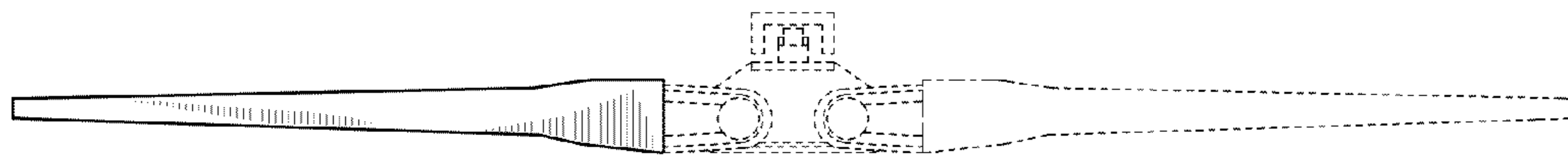


FIG. 7

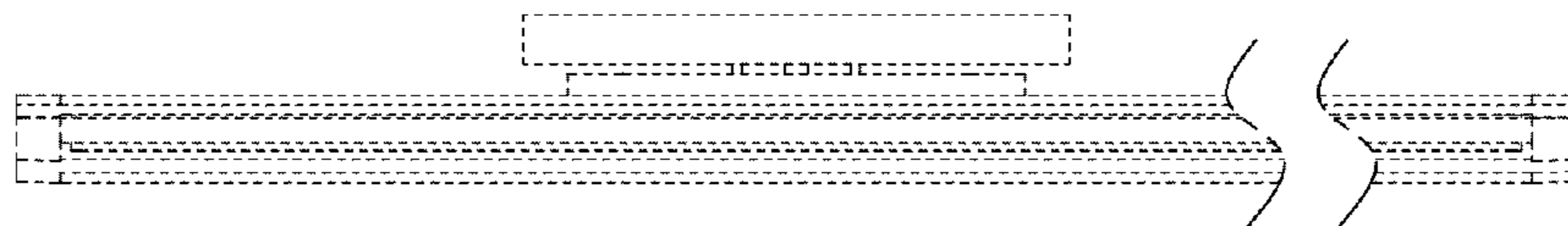


FIG. 8

