



US00D744137S

(12) **United States Design Patent**  
**Ma**

(10) **Patent No.:** **US D744,137 S**

(45) **Date of Patent:** **\*\* \*Nov. 24, 2015**

(54) **LIGHTING DEVICE**

(71) Applicant: **Energizer Brands, LLC**

(72) Inventor: **Lai King Ma**, Lake Silver (HK)

(73) Assignee: **ENERGIZER BRANDS, LLC**, St. Louis, MO (US)

(\* ) Notice: This patent is subject to a terminal disclaimer.

(\*\*) Term: **14 Years**

(21) Appl. No.: **29/491,465**

(22) Filed: **May 21, 2014**

(51) **LOC (10) Cl.** ..... **26-02**

(52) **U.S. Cl.**  
USPC ..... **D26/49**

(58) **Field of Classification Search**  
USPC ..... D26/37, 46, 49, 38; 362/157, 158, 183, 362/184, 194-196, 202-208  
CPC ..... F21V 33/00; F21V 14/025; F21V 21/406; F21Y 2101/02; F21L 2003/00; F21L 2005/00; F21L 2/00; F21L 4/00; F21L 4/005; F21L 17/00; F21L 13/08

See application file for complete search history.

(56) **References Cited**

**U.S. PATENT DOCUMENTS**

D315,219 S \* 3/1991 Brinkmann et al. .... D26/49  
D443,709 S \* 6/2001 Chiu ..... D26/49  
D445,926 S \* 7/2001 Cheong ..... D26/37  
D465,045 S \* 10/2002 Yamamoto et al. .... D26/49  
D481,818 S \* 11/2003 Mah ..... D26/49  
D496,115 S \* 9/2004 Lin ..... D26/49

D504,740 S 5/2005 Dalton et al.  
D513,642 S \* 1/2006 Zhang ..... D26/49  
D554,786 S 11/2007 Rugendyke et al.  
D557,838 S \* 12/2007 Shiu ..... D26/37  
D557,840 S \* 12/2007 Shiu ..... D26/37  
D558,907 S \* 1/2008 Liu ..... D26/49  
D560,012 S 1/2008 Liu  
D563,008 S 2/2008 Garrity et al.  
D568,515 S \* 5/2008 Liu ..... D26/49  
D643,561 S \* 8/2011 Maglica ..... D26/49  
D717,480 S \* 11/2014 Hsu et al. .... D26/49

**FOREIGN PATENT DOCUMENTS**

CN 300841844 10/2008

\* cited by examiner

*Primary Examiner* — Ian Simmons

*Assistant Examiner* — Carissa C Fitts

(74) *Attorney, Agent, or Firm* — McDonald Hopkins LLC

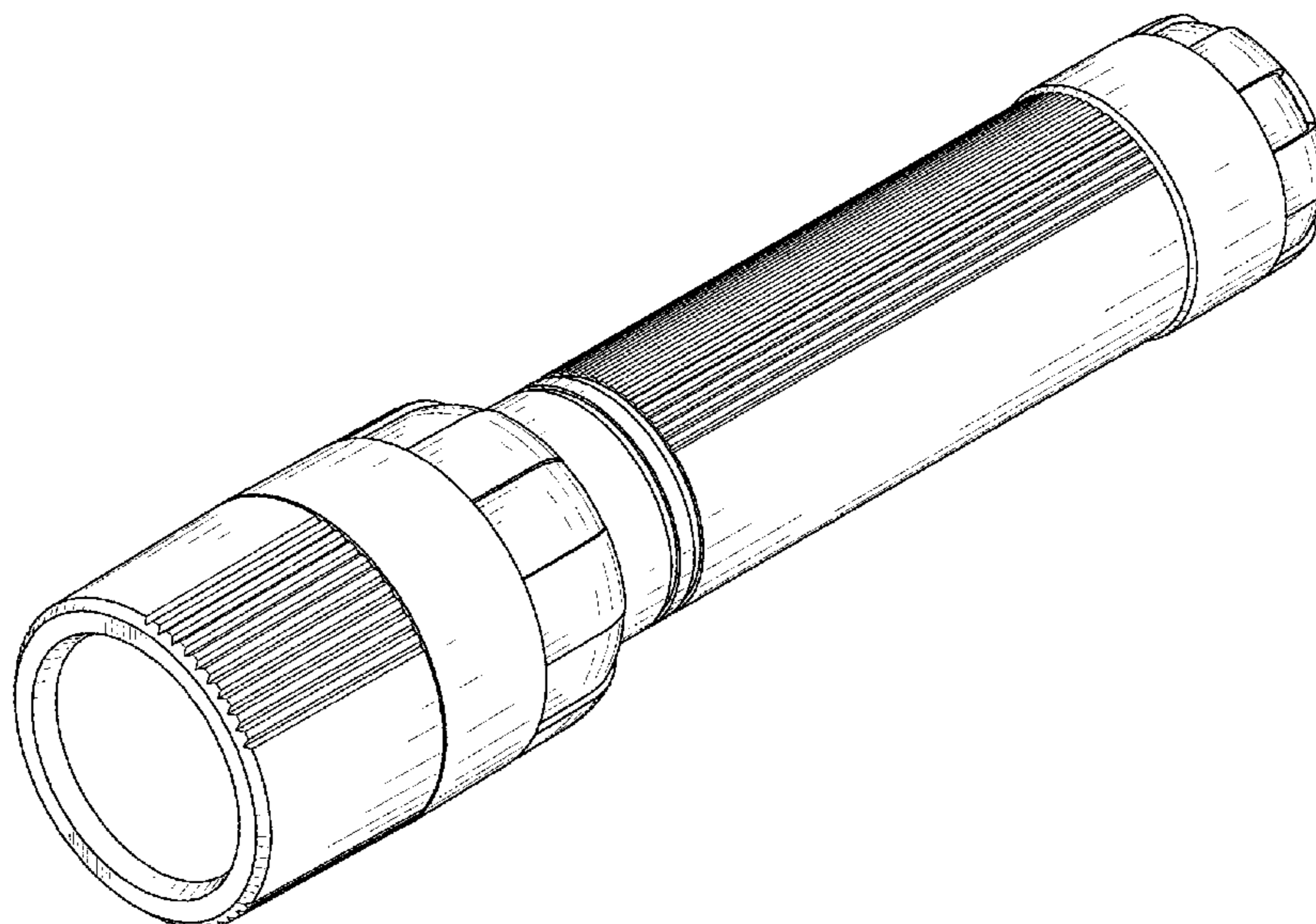
(57) **CLAIM**

I claim the ornamental design for a lighting device, as shown and described.

**DESCRIPTION**

FIG. 1 is a front perspective view of the design;  
FIG. 2 is a rear perspective view of the design;  
FIG. 3 is a front view of the design;  
FIG. 4 is a rear view of the design;  
FIG. 5 is a right side view of the design;  
FIG. 6 is a left side view of the design;  
FIG. 7 is a top view of the design; and,  
FIG. 8 is a bottom view of the design.  
Any broken lines shown are for illustrative purposes only and form no part of the claimed design.

**1 Claim, 4 Drawing Sheets**



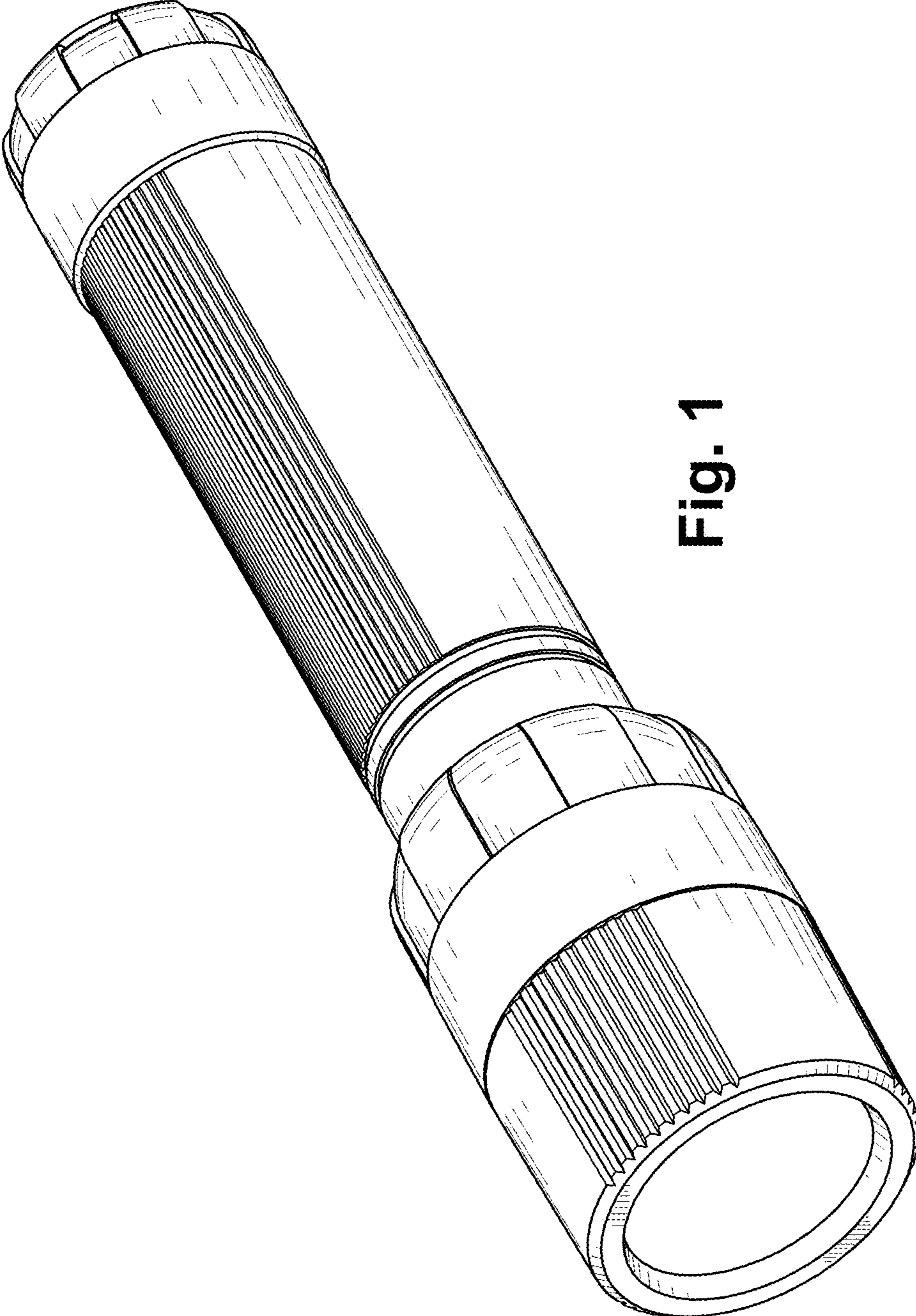


Fig. 1



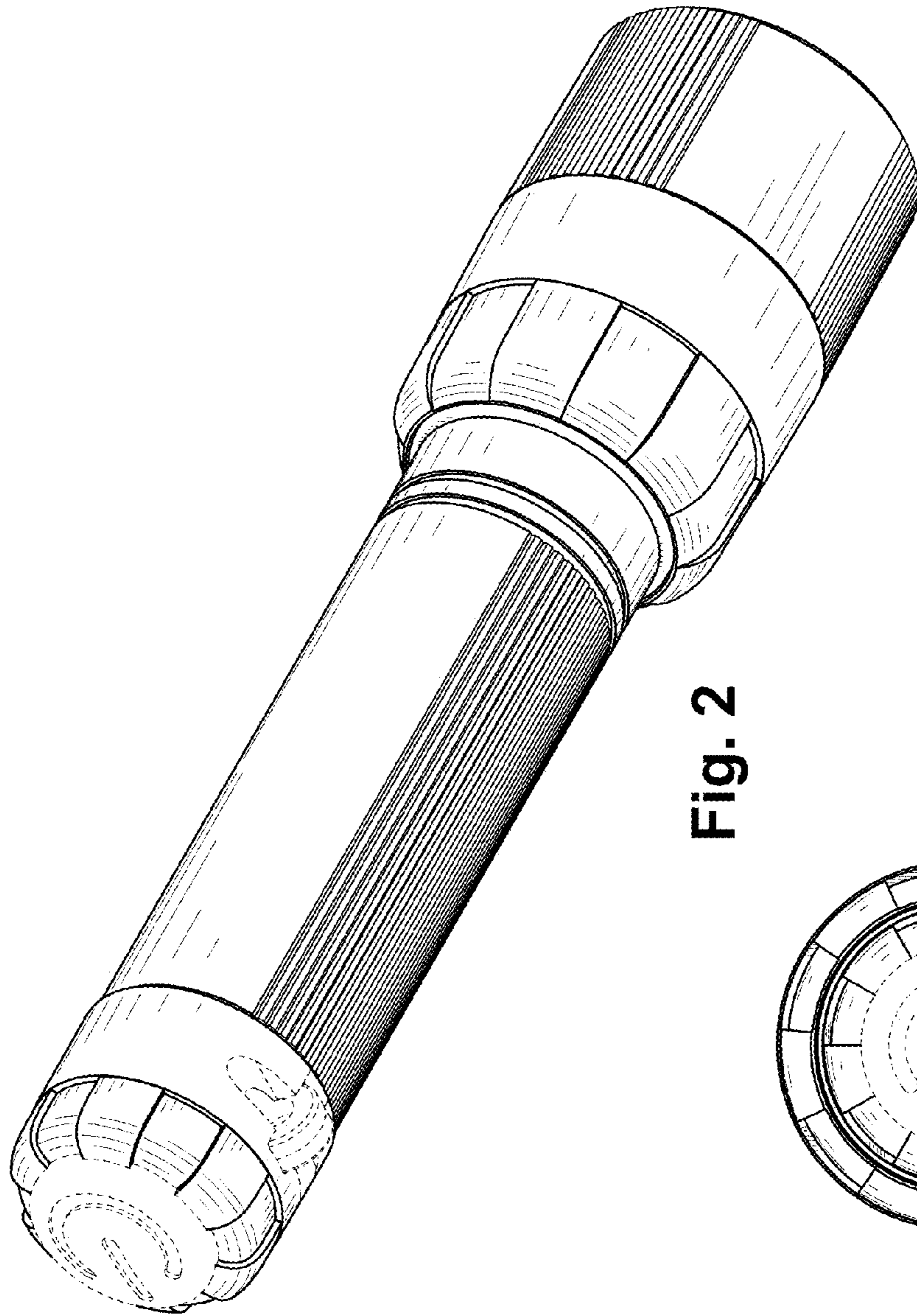


Fig. 2

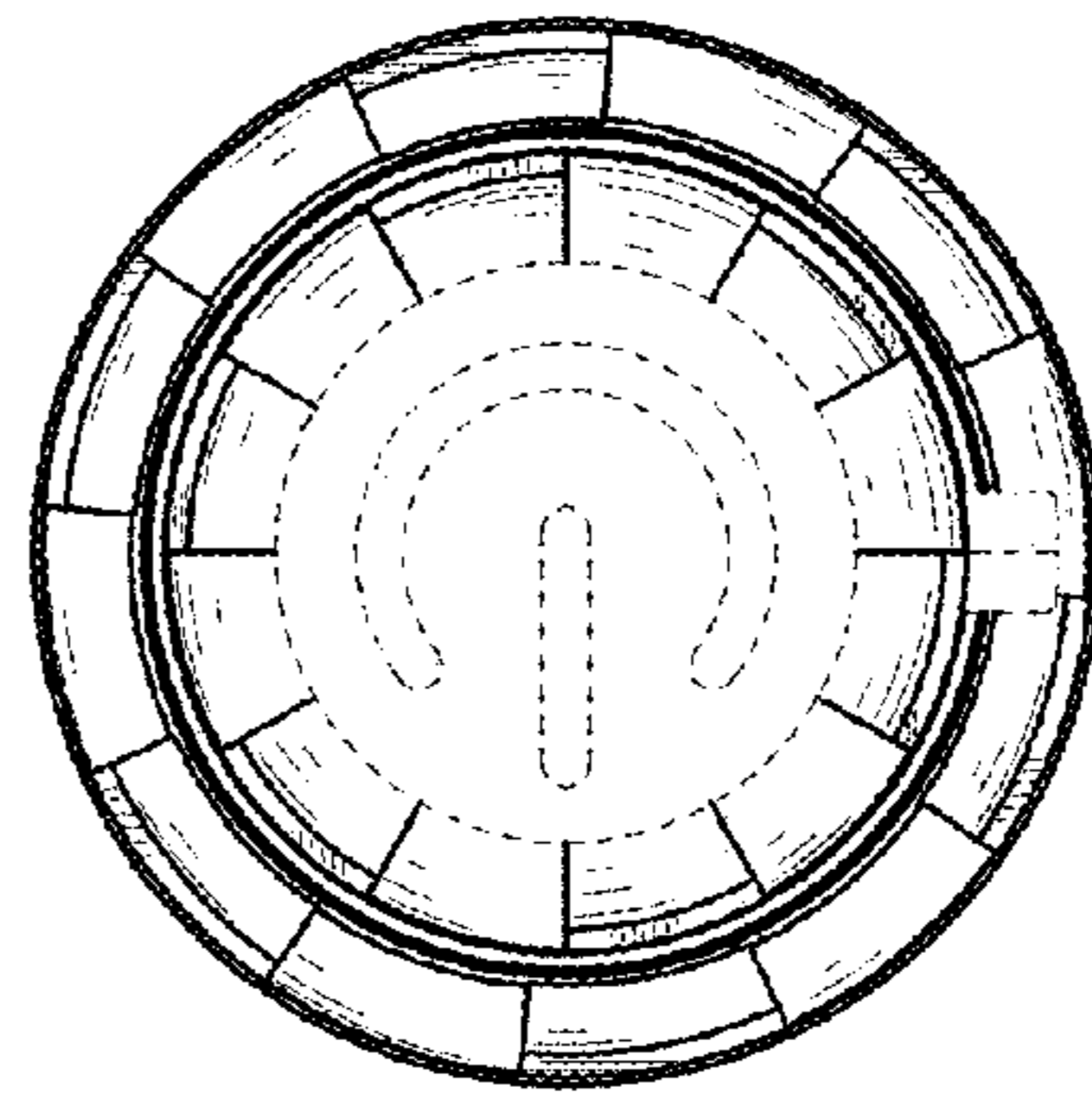


Fig. 4

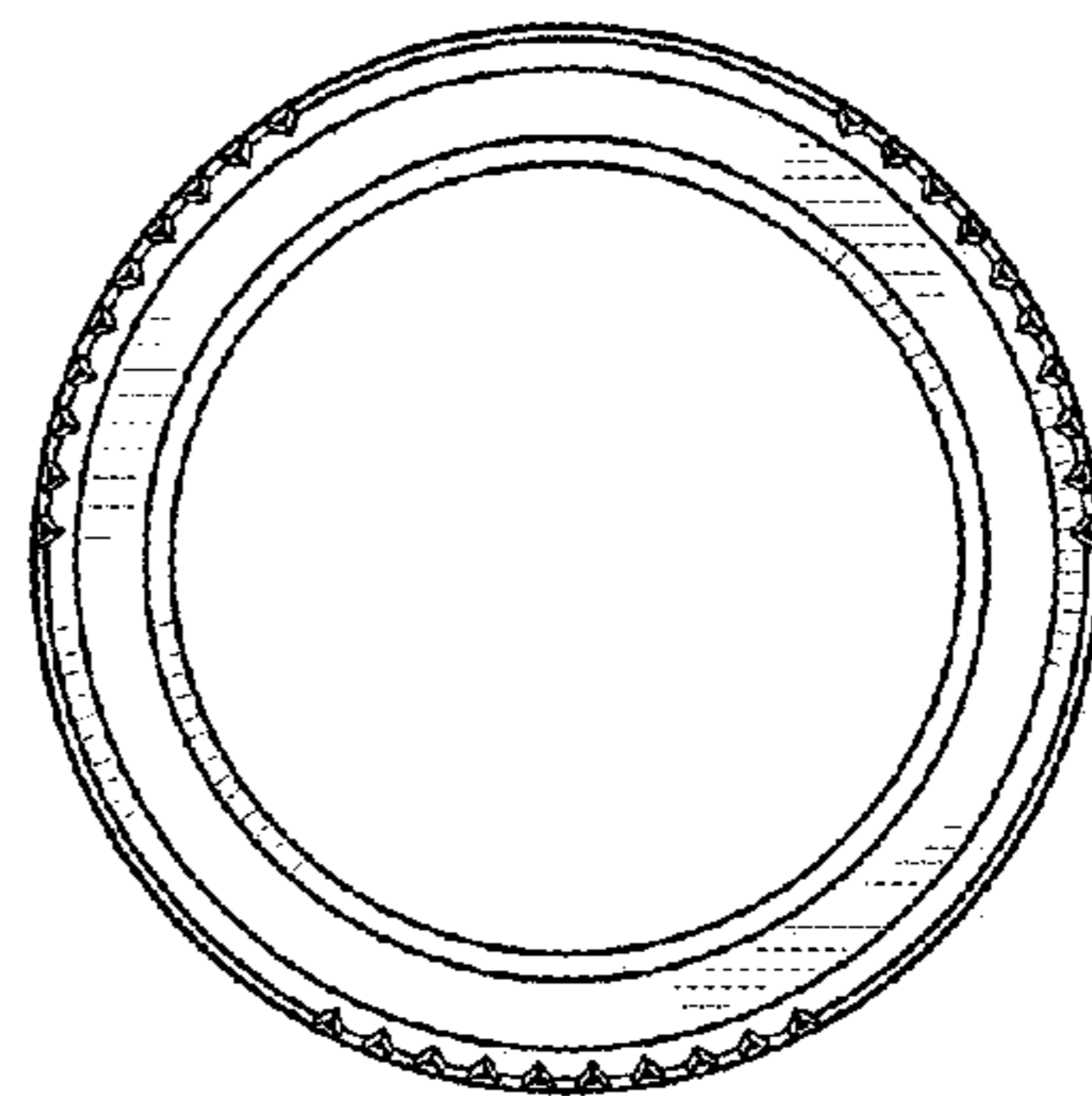


Fig. 3

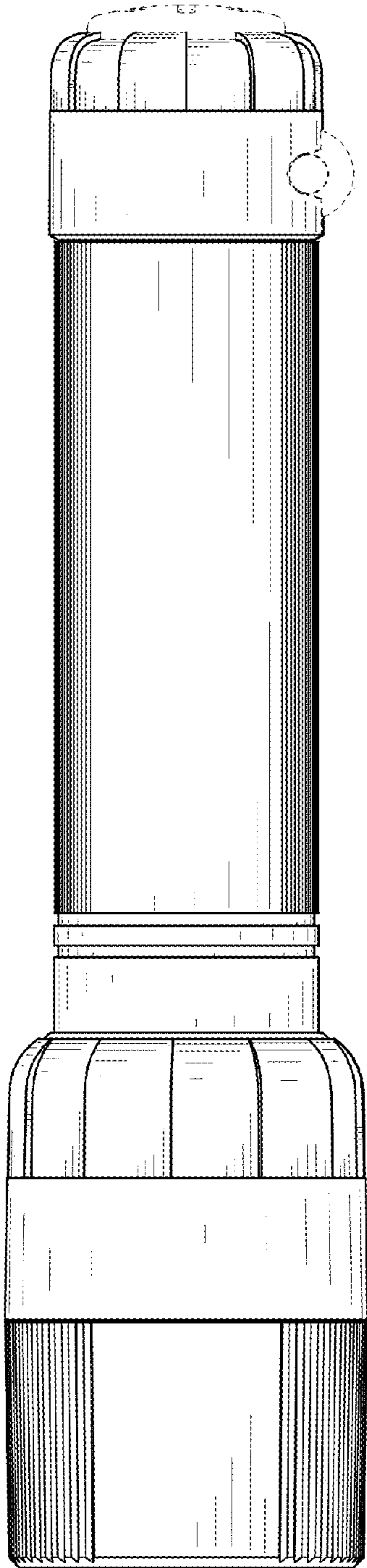


Fig. 5

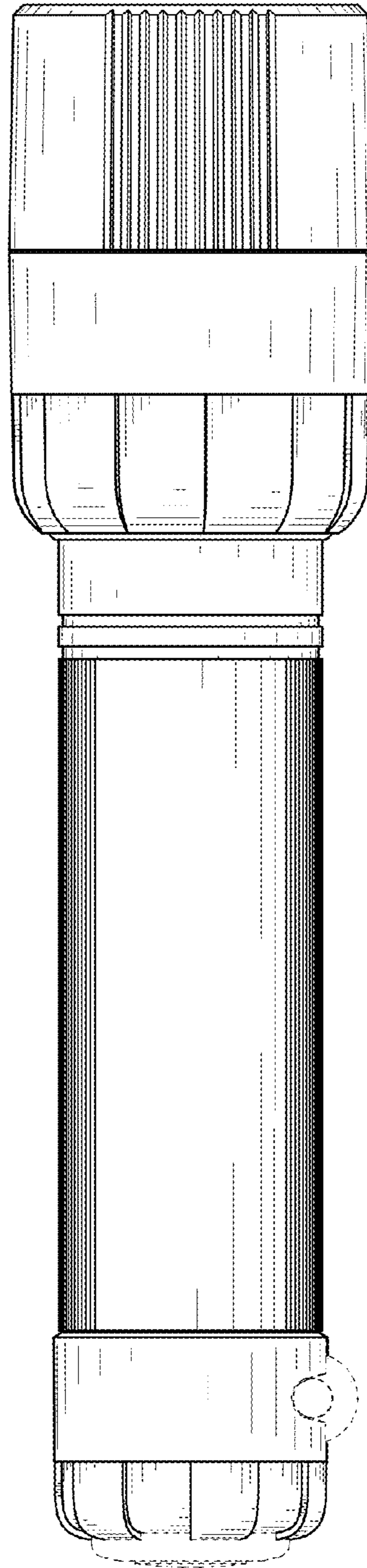


Fig. 6

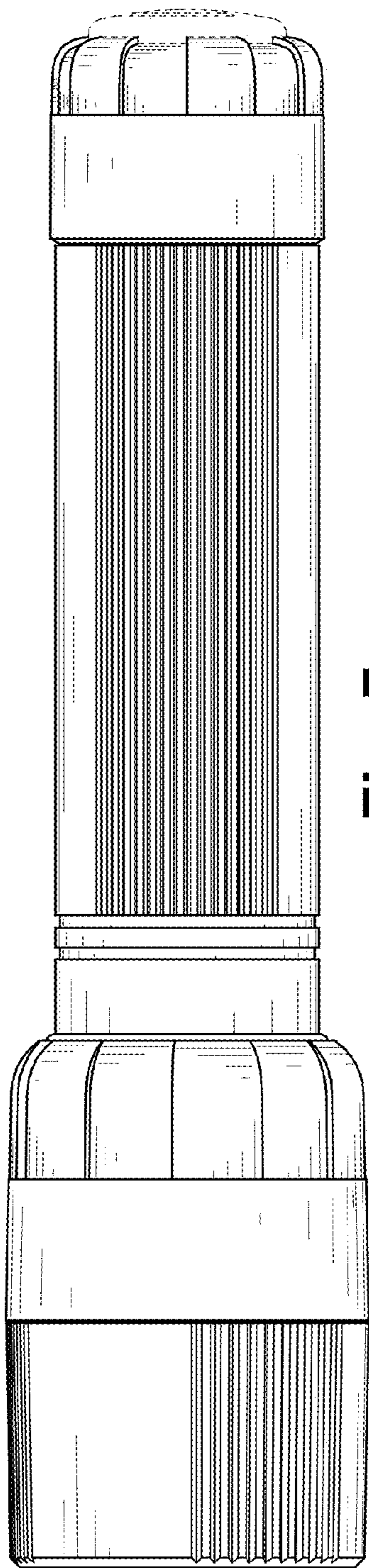


Fig. 7

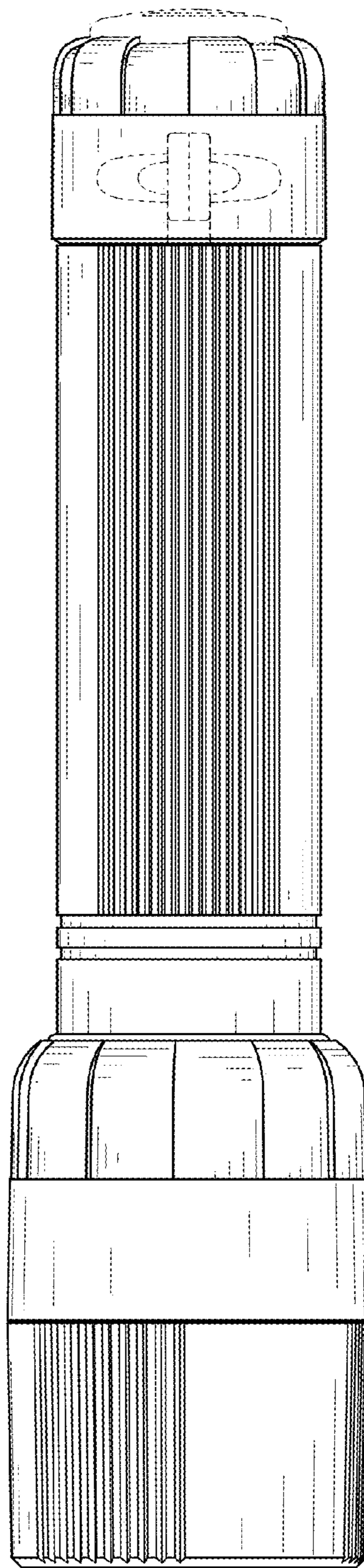


Fig. 8