



US00D744136S

(12) **United States Design Patent**
Osiecki et al.

(10) **Patent No.:** **US D744,136 S**

(45) **Date of Patent:** **** Nov. 24, 2015**

(54) **LIGHTING DEVICE**

(71) Applicant: **Energizer Brands, LLC**, St. Louis, MO (US)

(72) Inventors: **Scott W. Osiecki**, Skaneateles, NY (US);
Todd B. Abernethy, Skaneateles, NY (US)

(73) Assignee: **Energizer Brands, LLC**, Saint Louis, MO (US)

(**) Term: **14 Years**

(21) Appl. No.: **29/485,617**

(22) Filed: **Mar. 20, 2014**

(51) **LOC (10) Cl.** **26-02**

(52) **U.S. Cl.**
USPC **D26/49**

(58) **Field of Classification Search**
USPC D26/37, 40, 41, 44, 46, 49; 362/157,
362/158, 183, 184, 194-196, 200-208
CPC F21V 33/00; F21V 14/025; F21V 21/406;
F21Y 2101/12; F21L 2003/00; F21L 2005/00;
F21L 2/00; F21L 4/00; F21L 4/005; F21L
17/00; F21L 13/08

See application file for complete search history.

(56) **References Cited**

U.S. PATENT DOCUMENTS

| | | | | |
|--------------|--------|-----------------|-------|--------|
| D445,926 S * | 7/2001 | Cheong | | D26/37 |
| D490,920 S | 6/2004 | Wiesmeth | | |
| D491,301 S * | 6/2004 | Chen | | D26/37 |
| D560,297 S | 1/2008 | Brown et al. | | |
| D591,881 S | 5/2009 | Crawford et al. | | |
| D592,339 S * | 5/2009 | Crawford et al. | | D26/37 |
| D593,240 S | 5/2009 | Caniparoli | | |
| D610,727 S * | 2/2010 | Nyssen | | D26/46 |
| D643,138 S * | 8/2011 | Kawase et al. | | D26/37 |

| | | | | |
|--------------|---------|----------------|-------|--------|
| D668,803 S * | 10/2012 | Yang et al. | | D26/46 |
| D684,283 S | 6/2013 | Zhou et al. | | |
| D687,995 S * | 8/2013 | Yeh | | D26/49 |
| D689,227 S * | 9/2013 | Yeh | | D26/46 |
| D698,959 S * | 2/2014 | Shen | | D26/46 |
| D713,079 S * | 9/2014 | Zhenmei et al. | | D26/46 |

FOREIGN PATENT DOCUMENTS

| | | |
|----|----------------|---------|
| CN | 3638208 | 4/2007 |
| CN | 300859594 | 12/2008 |
| CN | 300929595 | 5/2009 |
| CN | 300957587 | 7/2009 |
| CN | 301411999 | 12/2010 |
| CN | 302166909 | 11/2012 |
| CN | 302520223 | 7/2013 |
| CN | 302544191 | 8/2013 |
| EM | 000843800-0002 | 12/2007 |
| EM | 001039168-0001 | 11/2008 |

(Continued)

Primary Examiner — Ian Simmons

Assistant Examiner — Carissa C Fitts

(74) *Attorney, Agent, or Firm* — McDonald Hopkins LLC

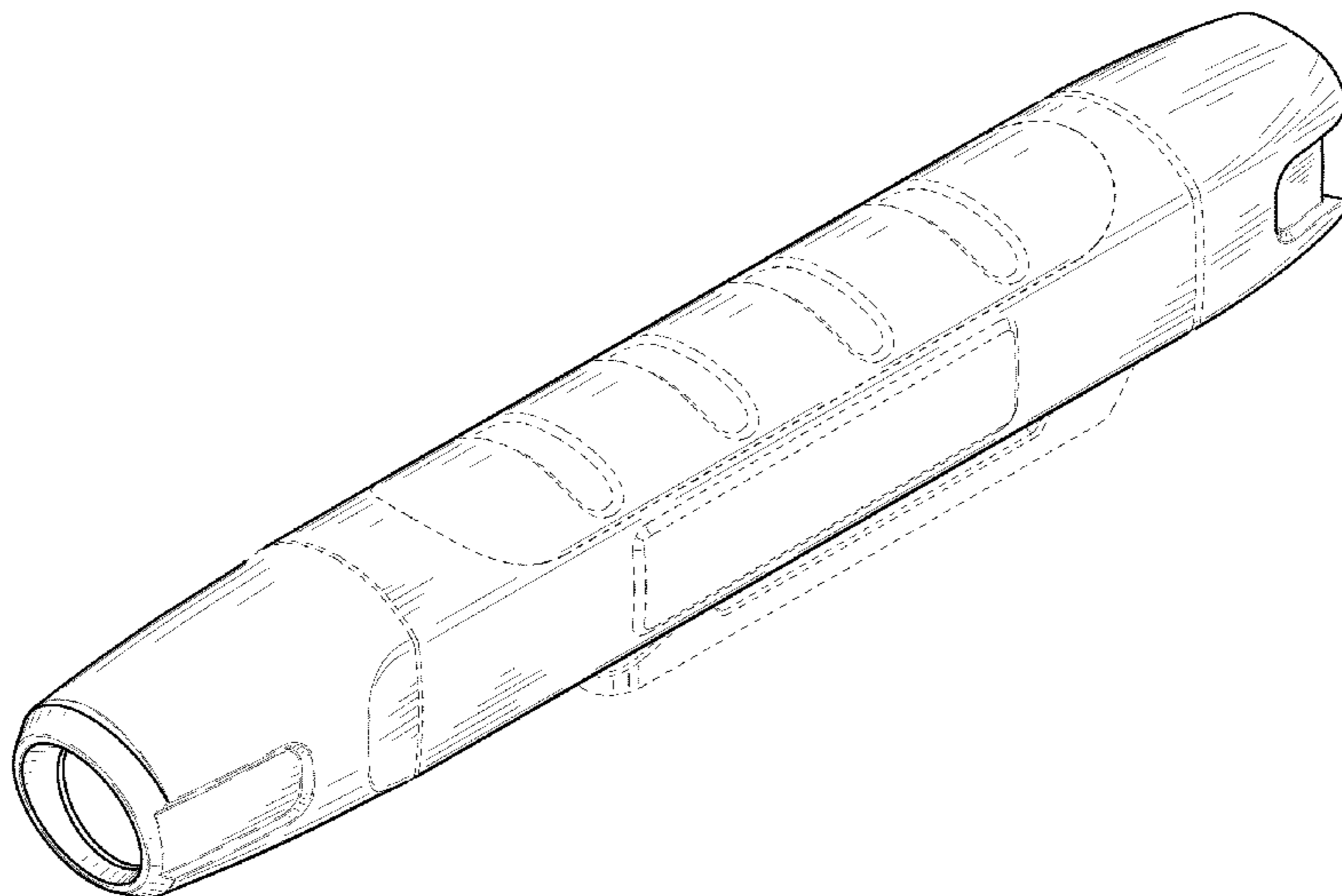
(57) **CLAIM**

We claim the ornamental design for a lighting device, as shown and described.

DESCRIPTION

FIG. 1 is a front perspective view of the design;
FIG. 2 is a rear perspective view of the design;
FIG. 3 is a front view of the design;
FIG. 4 is a back view of the design;
FIG. 5 is a left side view of the design. The right side view of the design is a mirror image of the left side view;
FIG. 6 is a top view of the design; and,
FIG. 7 is a bottom view of the design.
Any broken lines shown are for illustrative purposes only and form no part of the claimed design.

1 Claim, 3 Drawing Sheets



(56)

References Cited

FOREIGN PATENT DOCUMENTS

| | | |
|----|----------------|--------|
| EM | 001890534-0001 | 7/2011 |
| EM | 002096834-0001 | 9/2012 |

| | | |
|----|----------------|--------|
| EM | 002177360-0004 | 2/2013 |
| EM | 000974464-0002 | 7/2013 |
| JP | D1294210 | 1/2007 |
| JP | D1413421 | 4/2011 |
| WO | D080288-001 | 3/2013 |

* cited by examiner

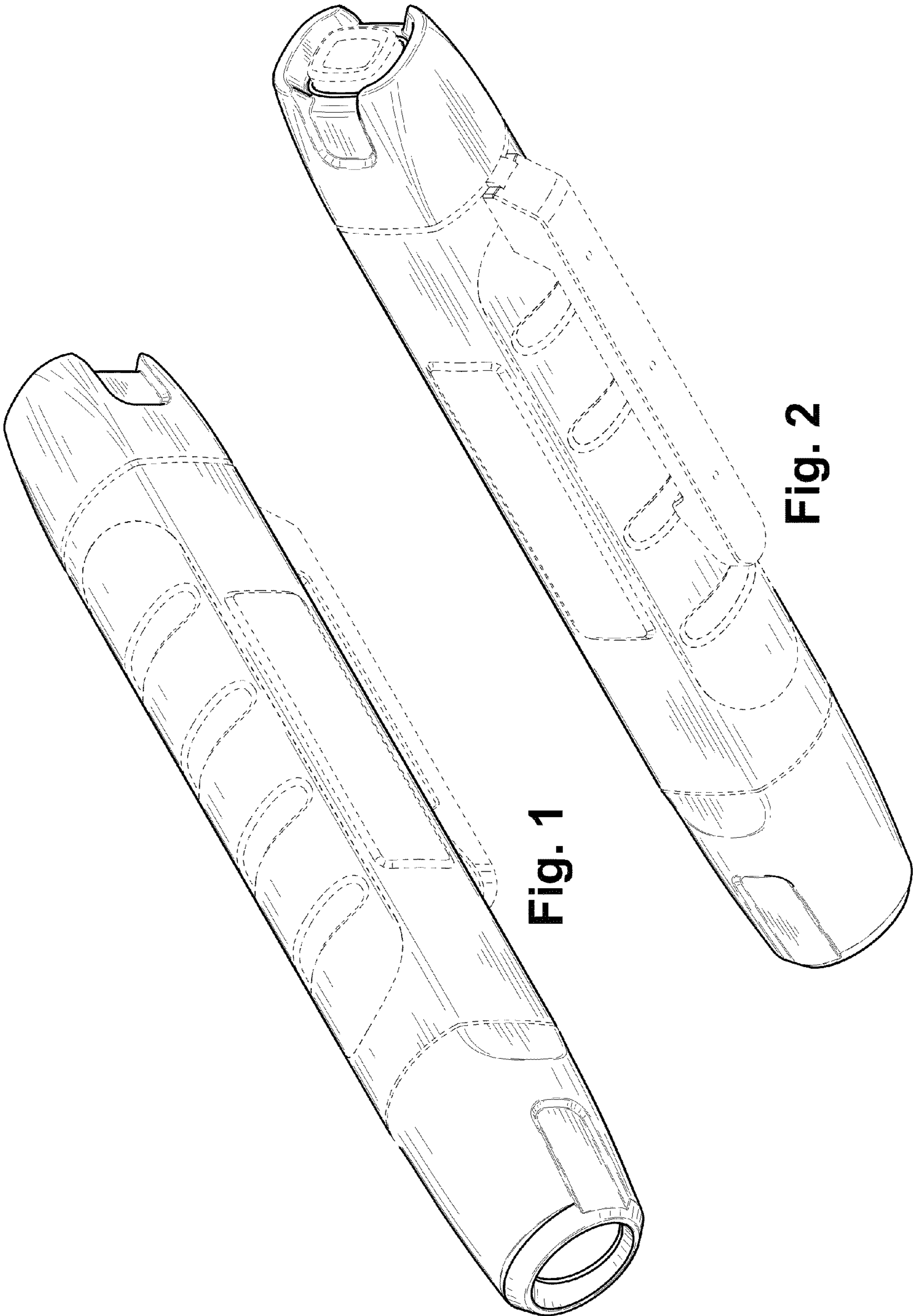


Fig. 1

Fig. 2

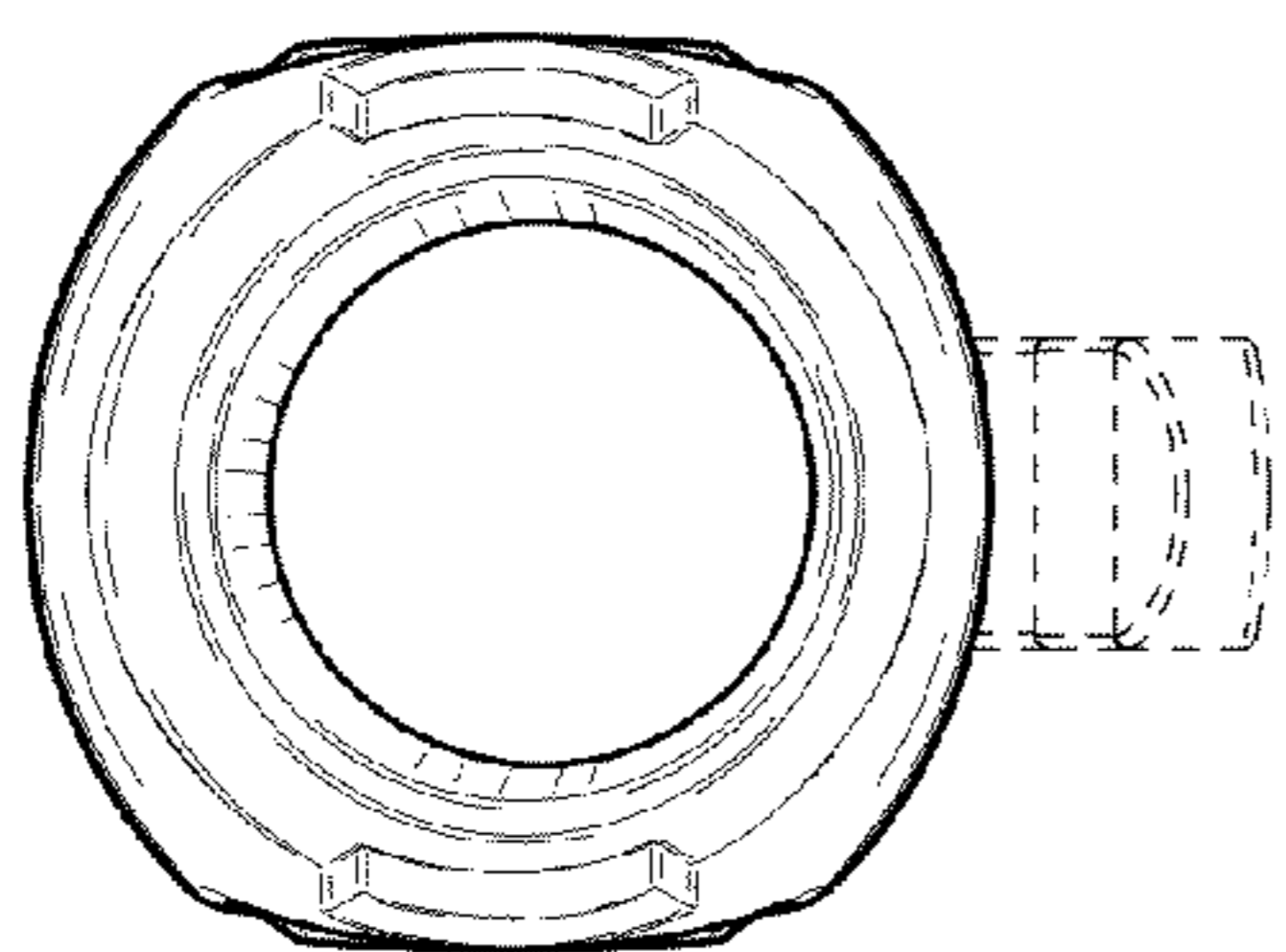


Fig. 3

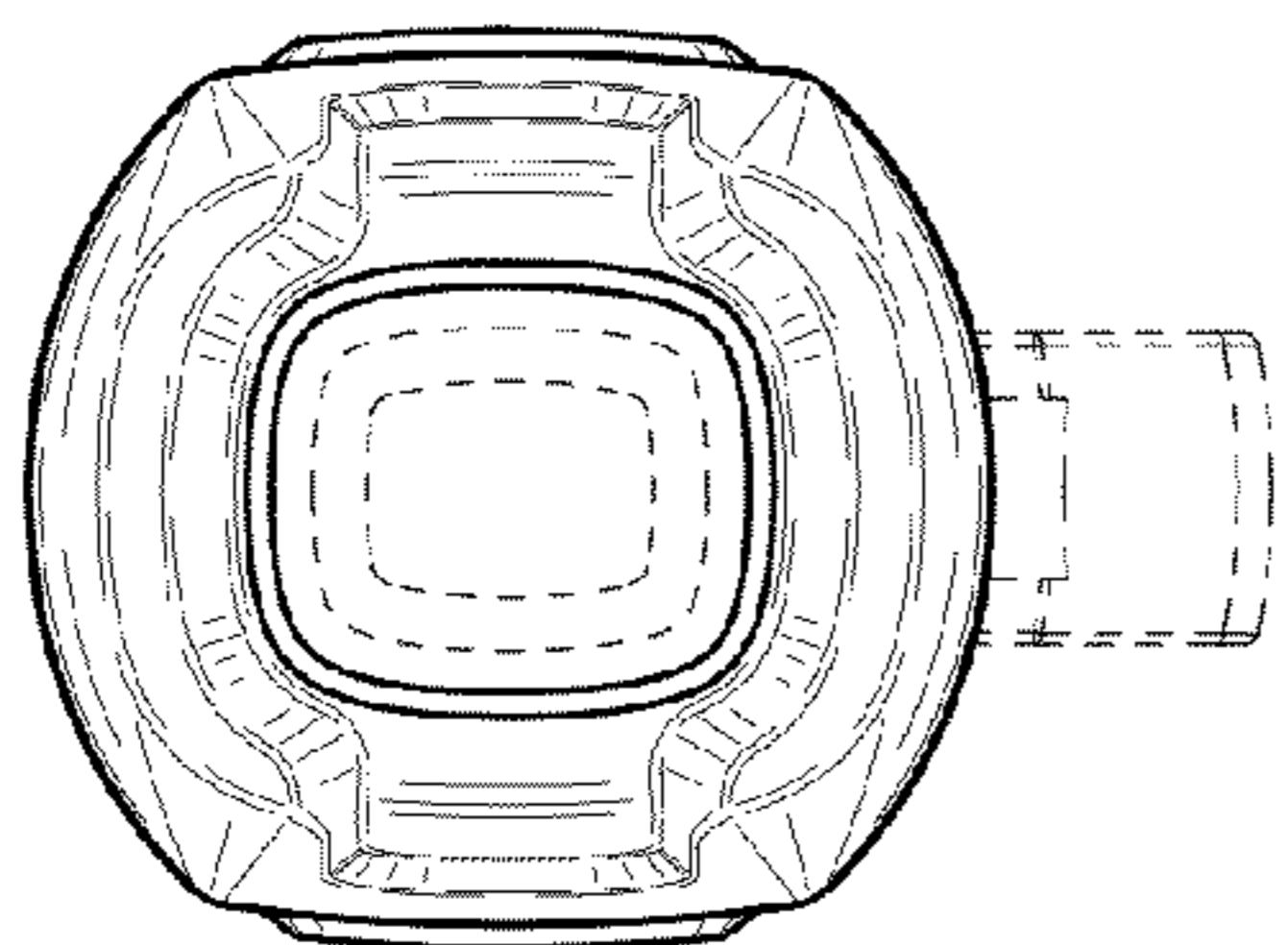


Fig. 4

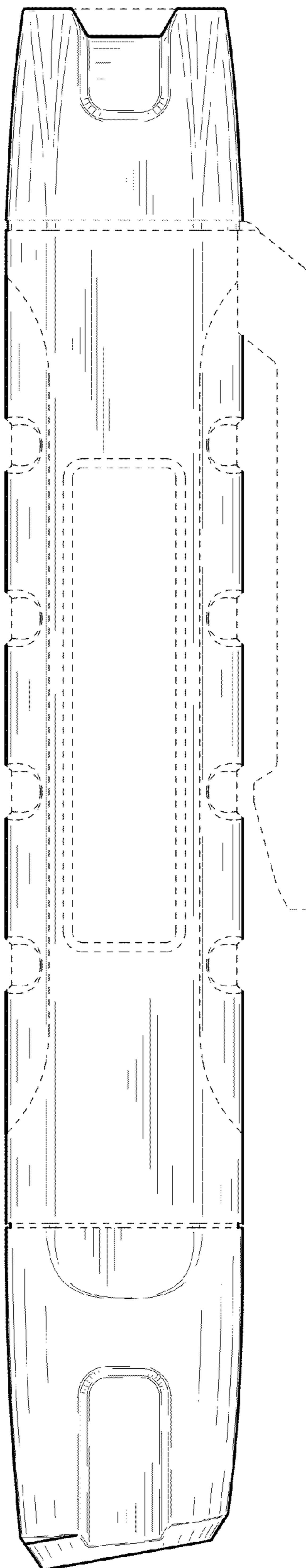


Fig. 5

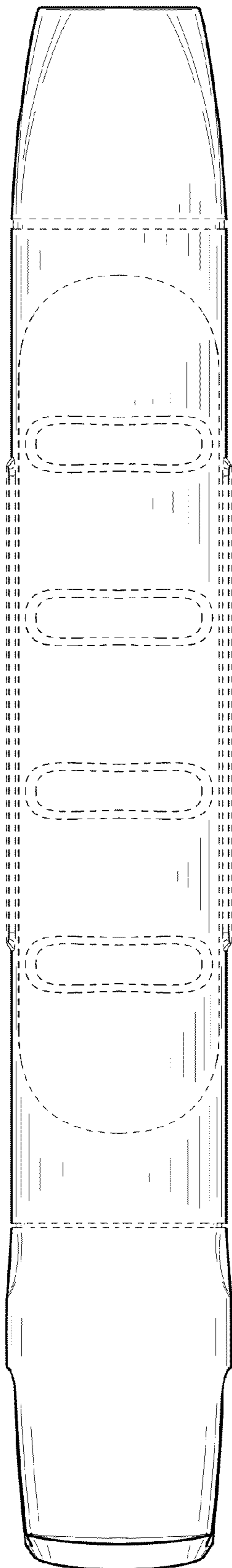


Fig. 6

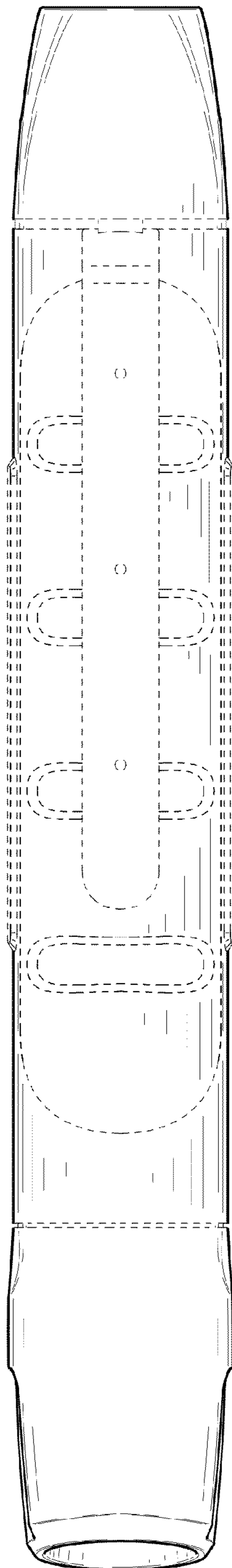


Fig. 7