



US00D744135S

(12) **United States Design Patent**  
**Menjor**

(10) **Patent No.:** **US D744,135 S**

(45) **Date of Patent:** **\*\* Nov. 24, 2015**

(54) **BELT MOUNTABLE LIGHT EMITTER**

(71) Applicant: **Francis Menjor**, Decatur, GA (US)

(72) Inventor: **Francis Menjor**, Decatur, GA (US)

(\*\*) Term: **14 Years**

(21) Appl. No.: **29/488,230**

(22) Filed: **Apr. 17, 2014**

(51) **LOC (10) Cl.** ..... **26-02**

(52) **U.S. Cl.**  
USPC ..... **D26/39**

(58) **Field of Classification Search**  
USPC ..... D26/37-51, 56-60, 67; 362/103-104,  
362/184, 194-196, 202-206  
CPC ..... F21L 4/00; F21L 4/022; F21L 4/025;  
F21L 4/027; F21L 7/00; F21L 19/00; F21V  
21/084; F21V 21/0085; F21W 2111/10  
See application file for complete search history.

(56) **References Cited**

**U.S. PATENT DOCUMENTS**

D426,330 S \* 6/2000 Cramer ..... D26/38  
6,890,086 B2 \* 5/2005 Shiu ..... F21L 4/027  
362/227  
D554,782 S \* 11/2007 Shiu ..... D26/39

D579,133 S \* 10/2008 Shiu ..... D26/39  
D614,786 S \* 4/2010 Lee ..... D26/39  
D650,103 S \* 12/2011 Lee ..... D26/39  
D683,489 S \* 5/2013 Lee ..... D26/39  
D707,868 S \* 6/2014 Lee ..... D26/39  
D712,579 S \* 9/2014 Cen ..... D26/39

\* cited by examiner

*Primary Examiner* — Sandra Morris

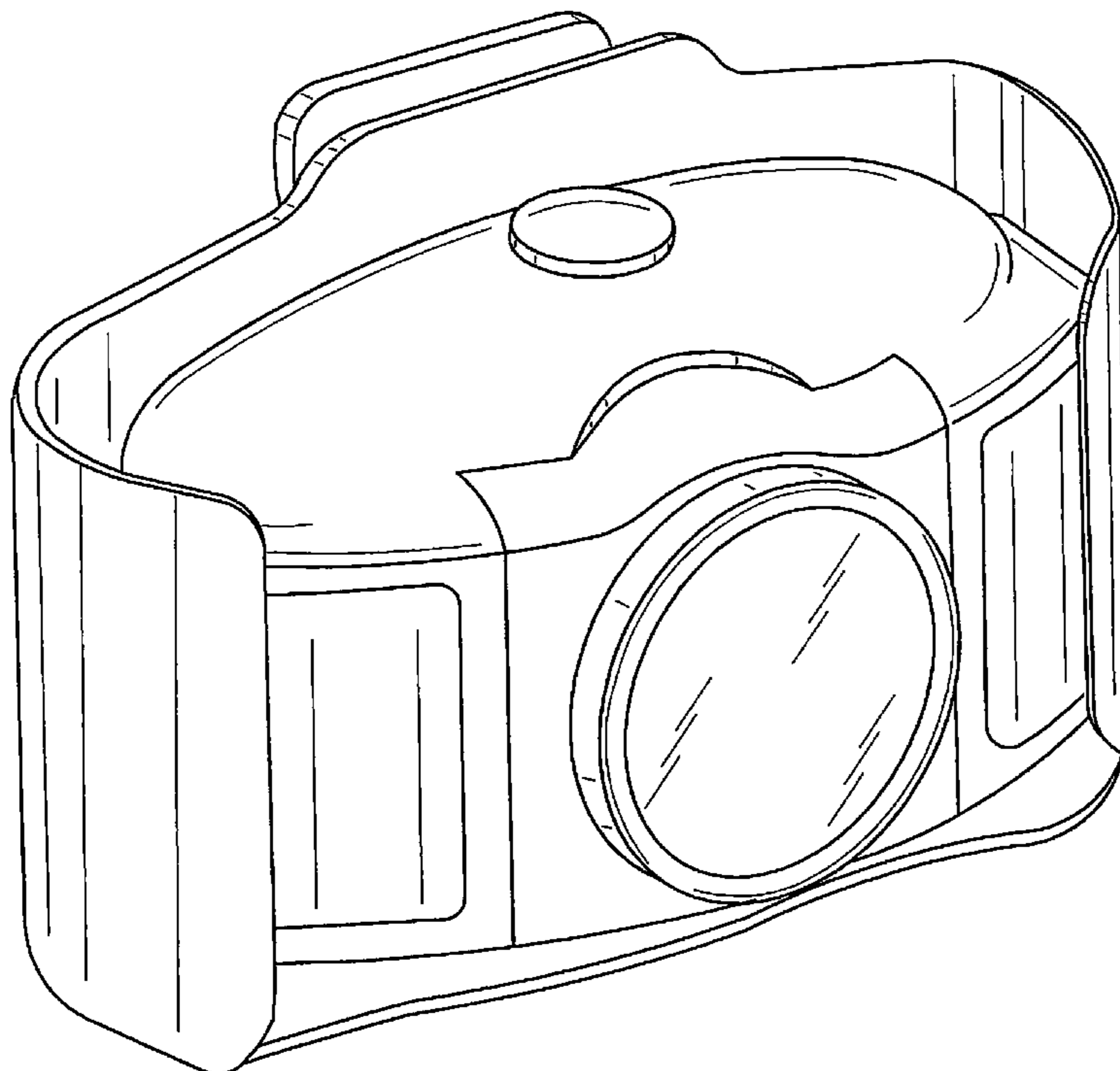
(57) **CLAIM**

The ornamental design for a belt mountable light emitter, as shown and described.

**DESCRIPTION**

FIG. 1 is a front view of a belt mountable light emitter showing my new design;  
FIG. 2 is a rear view of the belt mountable light emitter;  
FIG. 3 is a left side view of the belt mountable light emitter, a right side view being a mirror image thereof;  
FIG. 4 is a top view of the belt mountable light emitter;  
FIG. 5 is a bottom view of the belt mountable light emitter;  
and,  
FIG. 6 is a front perspective view of the belt mountable light emitter.

**1 Claim, 5 Drawing Sheets**



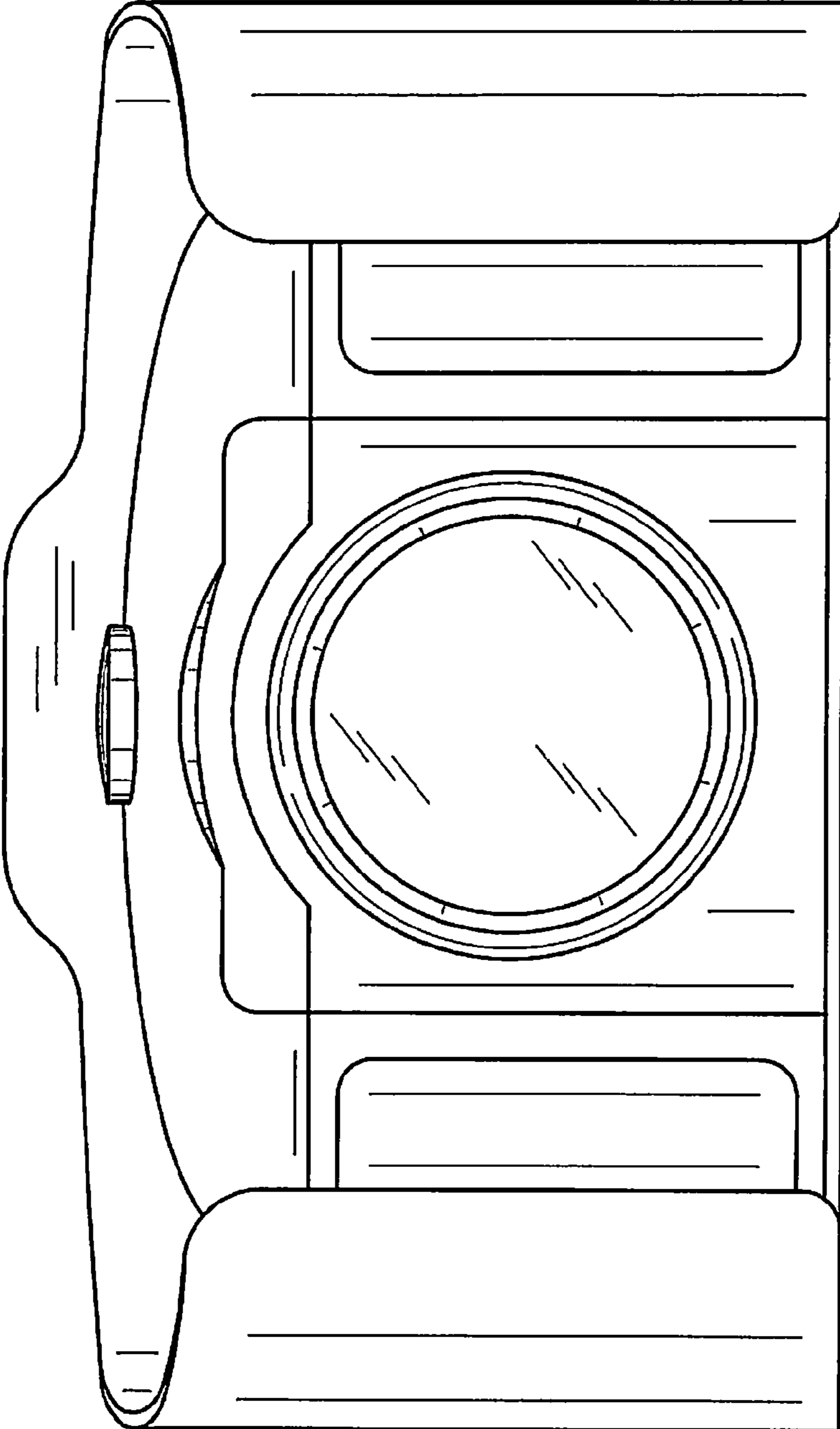


FIG. 1

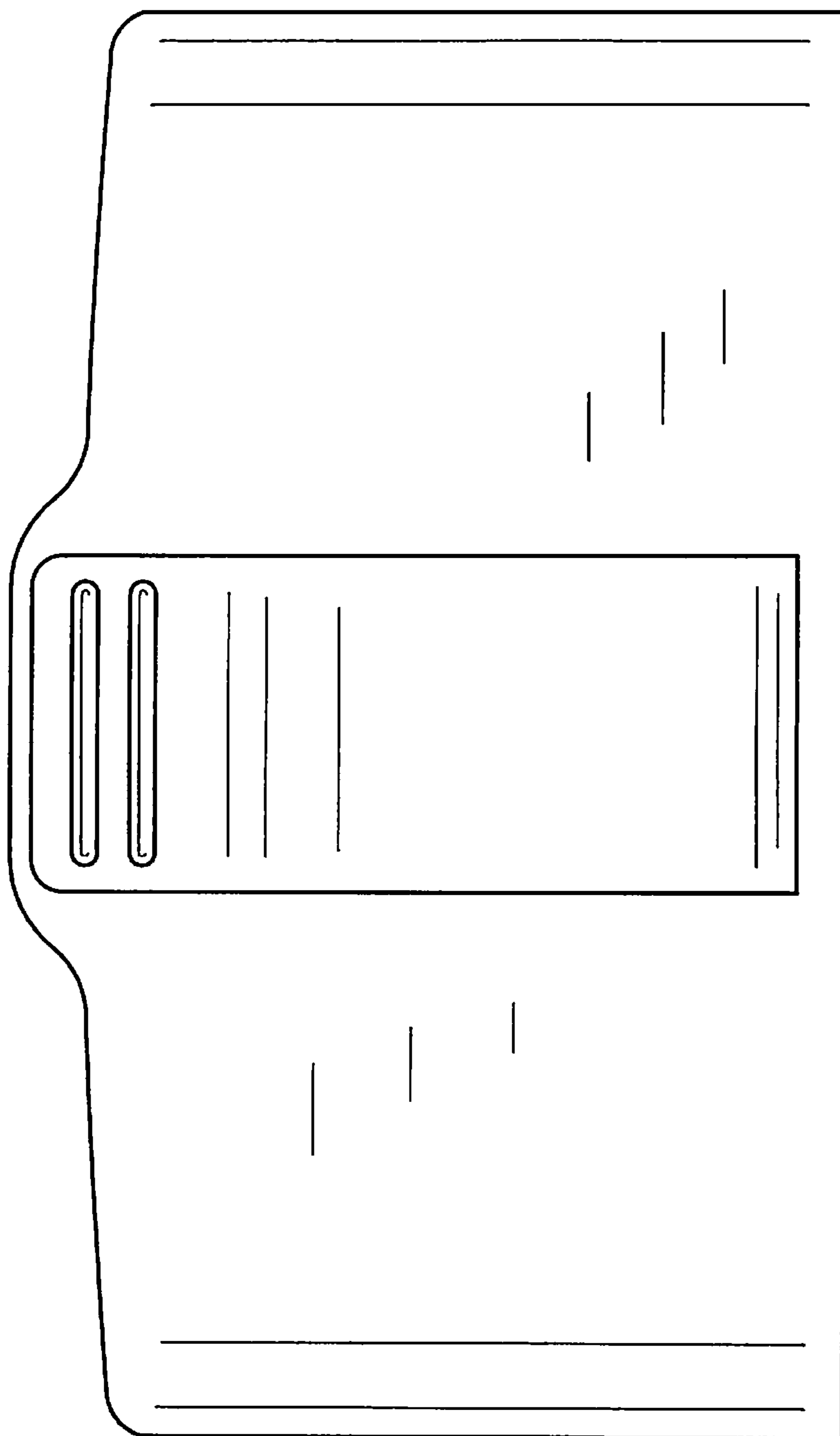


FIG. 2

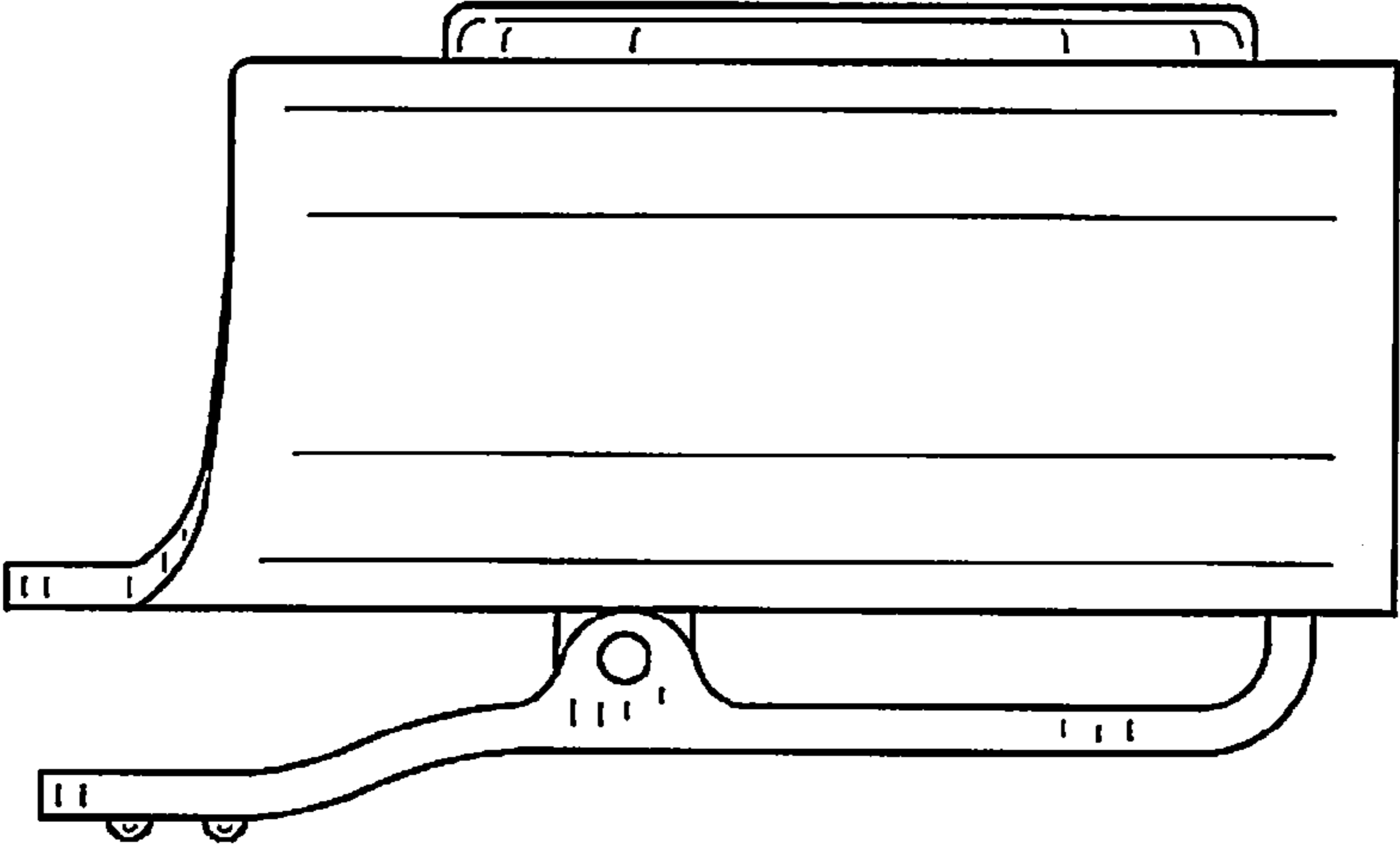


FIG. 3

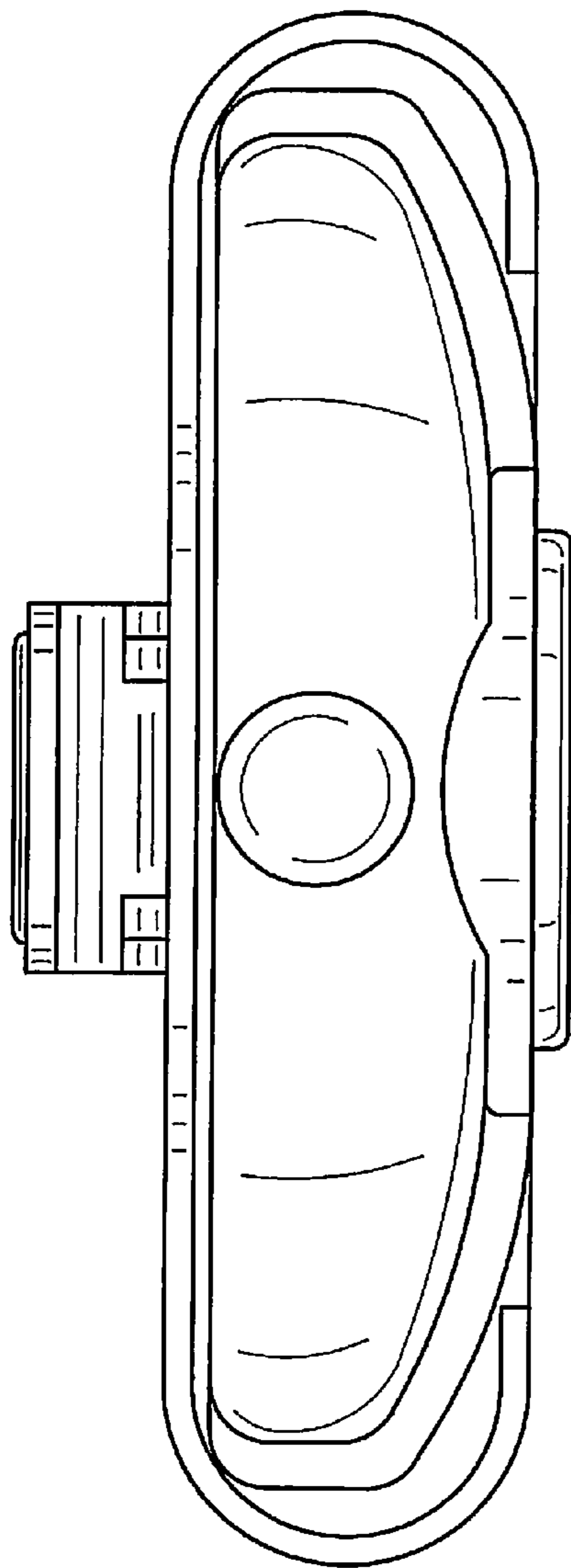


FIG. 4

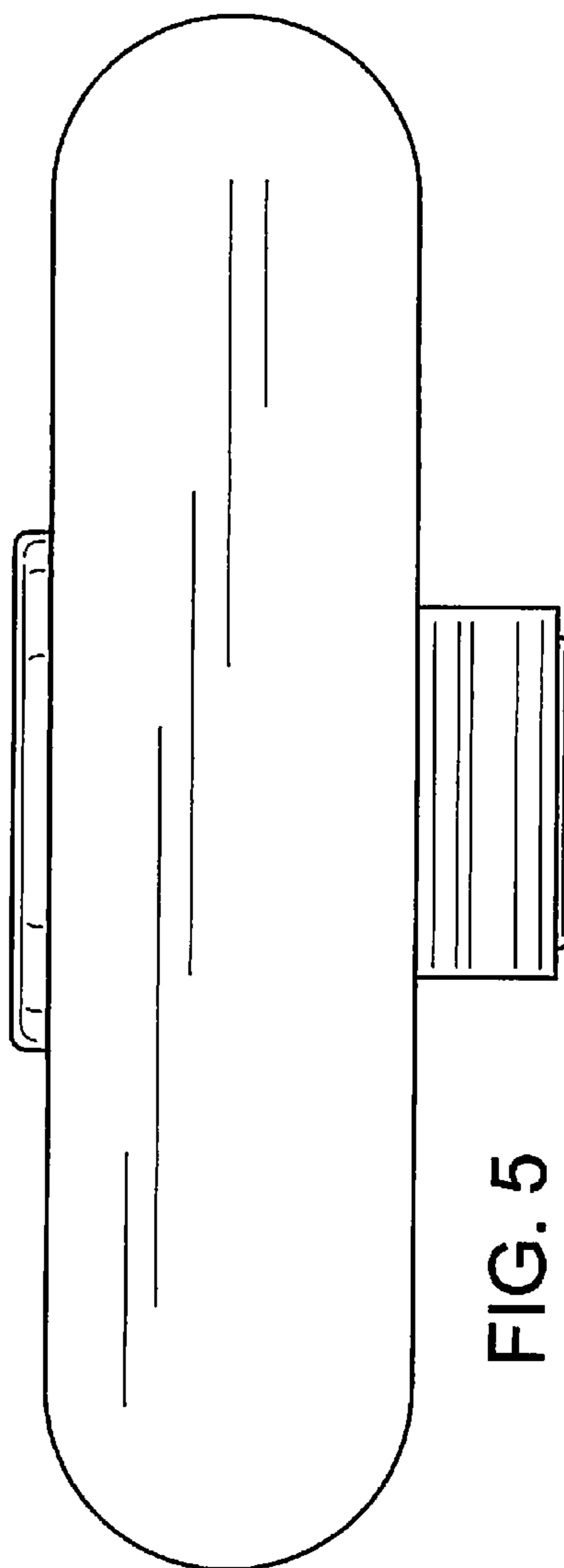


FIG. 5

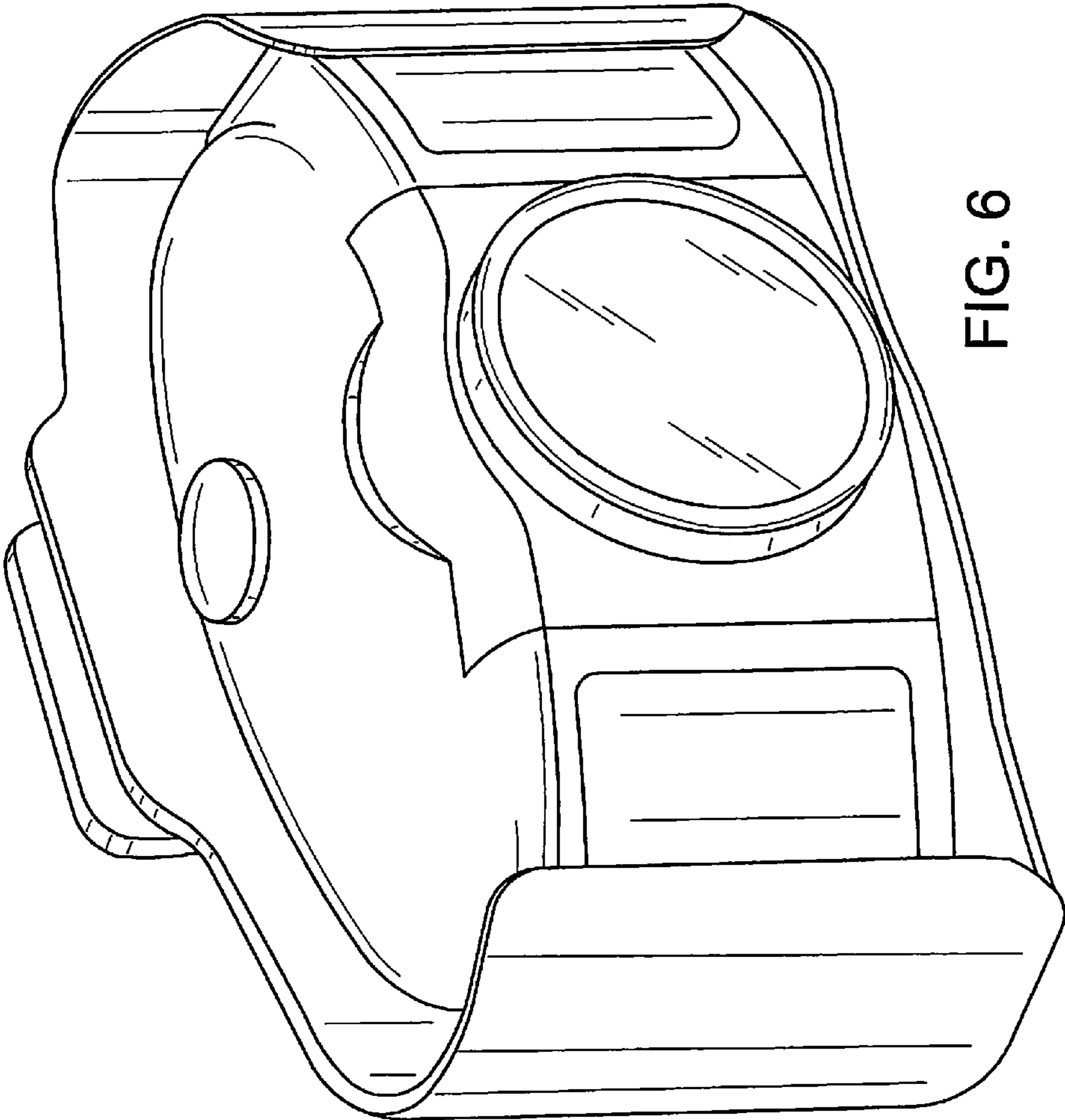


FIG. 6