



US00D744134S

(12) **United States Design Patent**
Hine et al.

(10) **Patent No.:** **US D744,134 S**

(45) **Date of Patent:** **** Nov. 24, 2015**

(54) **LIGHTING DEVICE**

(75) Inventors: **David J. Hine**, Syracuse, NY (US);
Matthew R. Gortner, Manlius, NY
(US); **William R. Narpes**, North
Ridgeville, OH (US)

(73) Assignee: **Energizer Brands, LLC**, Saint Louis,
MO (US)

(**) Term: **14 Years**

(21) Appl. No.: **29/428,473**

(22) Filed: **Jul. 31, 2012**

(51) **LOC (10) Cl.** **26-02**

(52) **U.S. Cl.**
USPC **D26/39**

(58) **Field of Classification Search**

USPC D26/37, 38, 44, 46, 39; 362/157, 158,
362/183, 184, 194–196, 200–208, 253, 103,
362/105, 106

CPC F21V 33/00; F21V 14/025; F21V 21/406;
F21Y 2101/02; F21L 17/00; F21L 13/08

See application file for complete search history.

(56) **References Cited**

U.S. PATENT DOCUMENTS

D472,998 S	4/2003	Paris et al.	
D506,846 S	6/2005	Kang et al.	
D532,538 S *	11/2006	Yuen	D26/39
D552,278 S	10/2007	Spartano et al.	
D556,927 S *	12/2007	Shiu	D26/39
D560,009 S	1/2008	Spartano et al.	
D560,298 S	1/2008	Spartano et al.	
D566,310 S *	4/2008	Alessio	D26/39
D568,510 S *	5/2008	Shiu	D26/39

(Continued)

Primary Examiner — Ian Simmons

Assistant Examiner — Carissa C Fitts

(74) *Attorney, Agent, or Firm* — McDonald Hopkins, LLC

(57) **CLAIM**

We claim the ornamental design for a lighting device, as shown and described.

DESCRIPTION

FIG. 1 is a front perspective view of the design with the headstrap attached.

FIG. 2 is a front perspective view of the design.

FIG. 3 is a rear perspective view of the design.

FIG. 4 is a right side view of the design. The left side view of the design is a mirror image of the right side view.

FIG. 5 is a front view of the design.

FIG. 6 is a rear view of the design.

FIG. 7 is a top view of the design.

FIG. 8 is a bottom view of the design.

FIG. 9 front perspective view of a second embodiment of the design with the headstrap attached.

FIG. 10 front perspective view of the design.

FIG. 11 is a rear perspective view of the design.

FIG. 12 is a right side view of the design. The left side view of the design is a mirror image of the right side view.

FIG. 13 is a front view of the design.

FIG. 14 is a rear view of the design.

FIG. 15 is a top view of the design.

FIG. 16 is a bottom view of the design.

FIG. 17 front perspective view of a third embodiment of the design with the headstrap attached.

FIG. 18 front perspective view of the design.

FIG. 19 is a rear perspective view of the design.

FIG. 20 is a right side view of the design. The left side view of the design is a mirror image of the right side view.

FIG. 21 is a front view of the design.

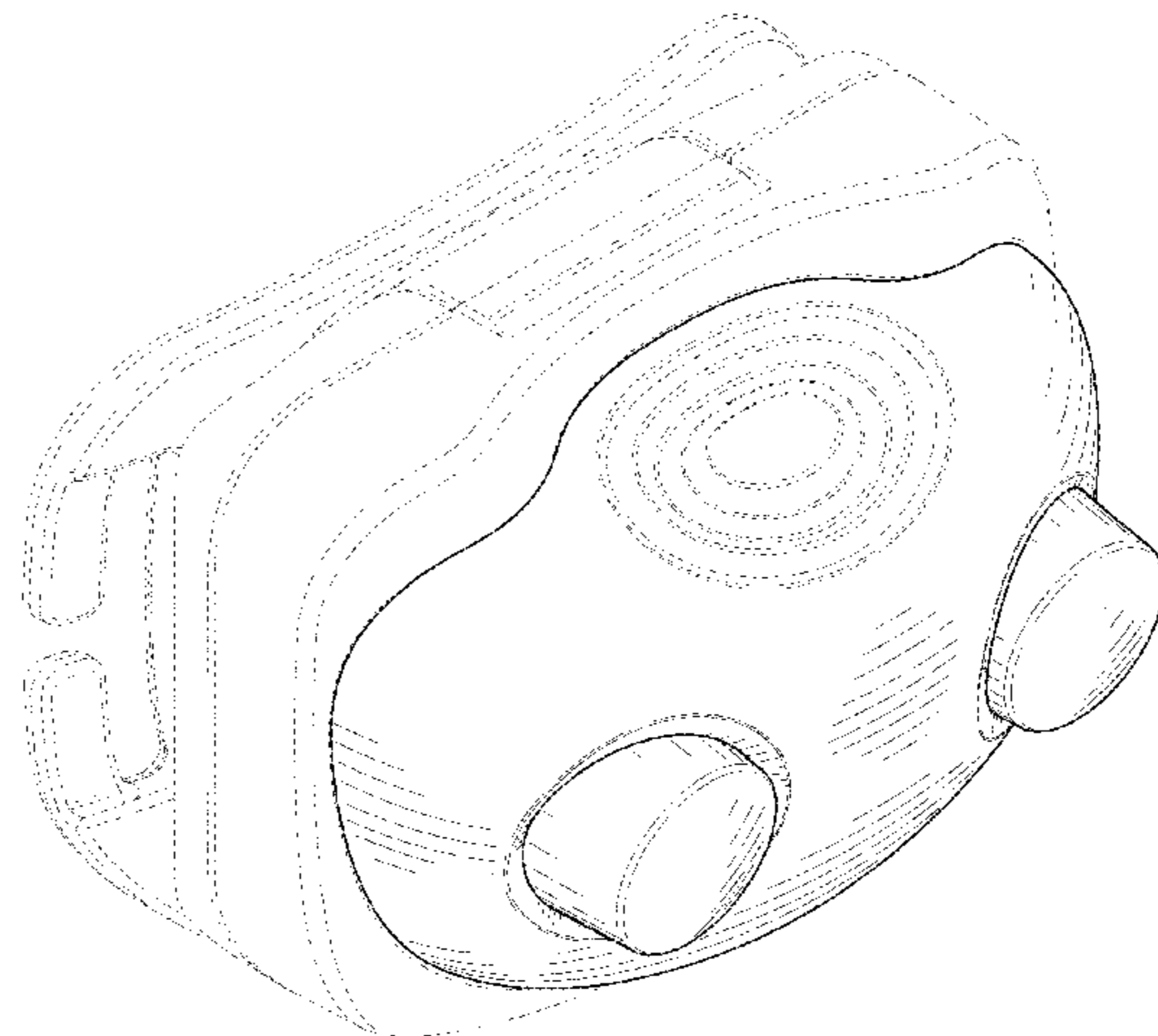
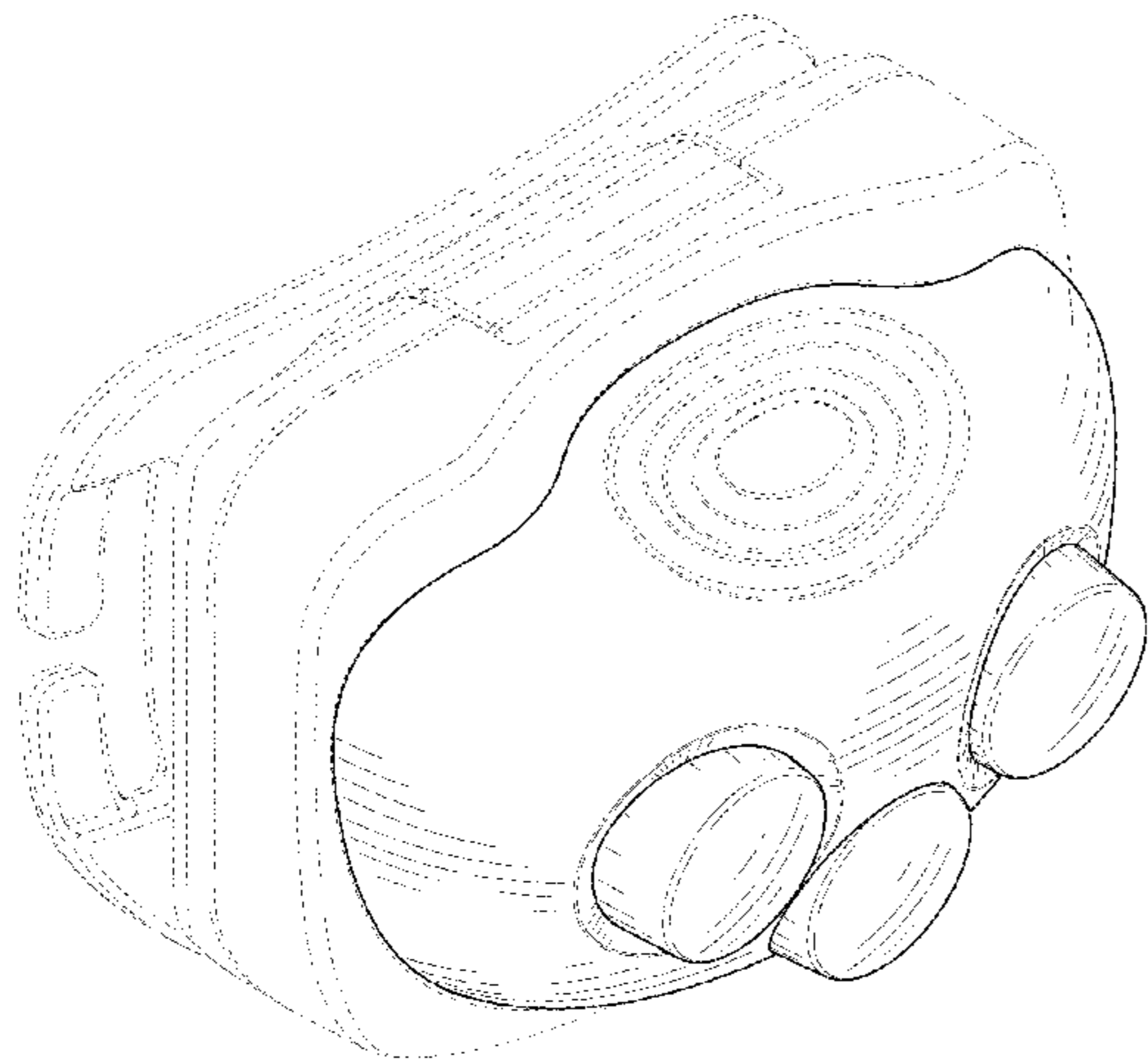
FIG. 22 is a rear view of the design.

FIG. 23 is a top view of the design; and,

FIG. 24 is a bottom view of the design.

The broken line showing is for environmental purposes only and forms no part of the claimed design.

1 Claim, 12 Drawing Sheets



(56)

References Cited

U.S. PATENT DOCUMENTS

D576,326 S *	9/2008	Lee	D26/39	D596,770 S	7/2009	Hine et al.	
D576,328 S *	9/2008	Poon	D26/39	D600,379 S *	9/2009	Petzl D26/39
D581,567 S	11/2008	Crawford et al.			D615,227 S *	5/2010	Hine et al. D26/46
D583,971 S	12/2008	Castellucci et al.			D620,160 S	7/2010	Kang et al.	
D590,083 S *	4/2009	Petzl	D26/39	D625,863 S	10/2010	Kingston et al.	
D592,782 S	5/2009	Hine et al.			D631,587 S *	1/2011	Hine et al. D26/39
					D672,893 S *	12/2012	Inskeep D26/39
					D679,041 S *	3/2013	Petzl D26/39
					D696,803 S *	12/2013	Kingston et al. D26/39

* cited by examiner

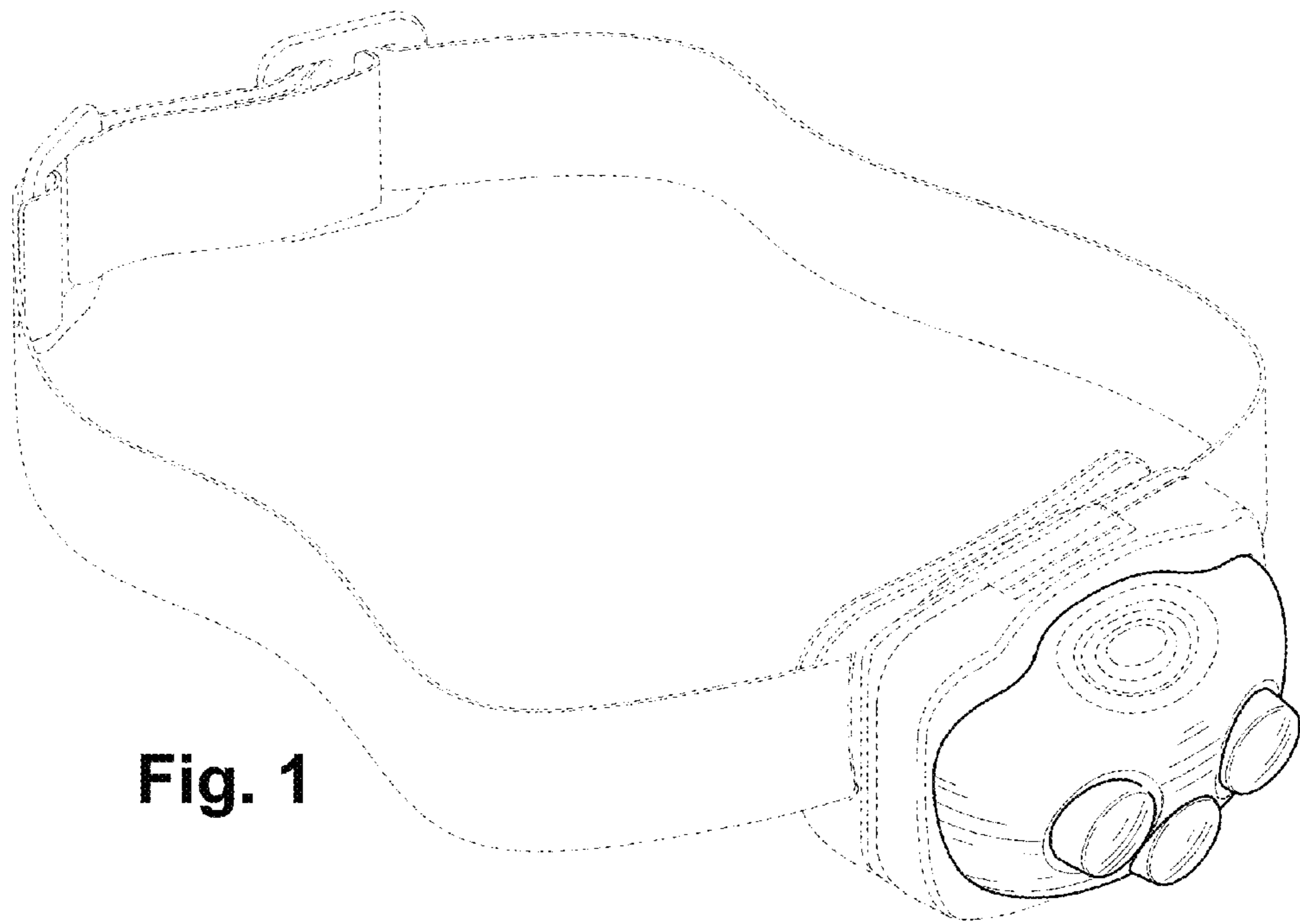


Fig. 1

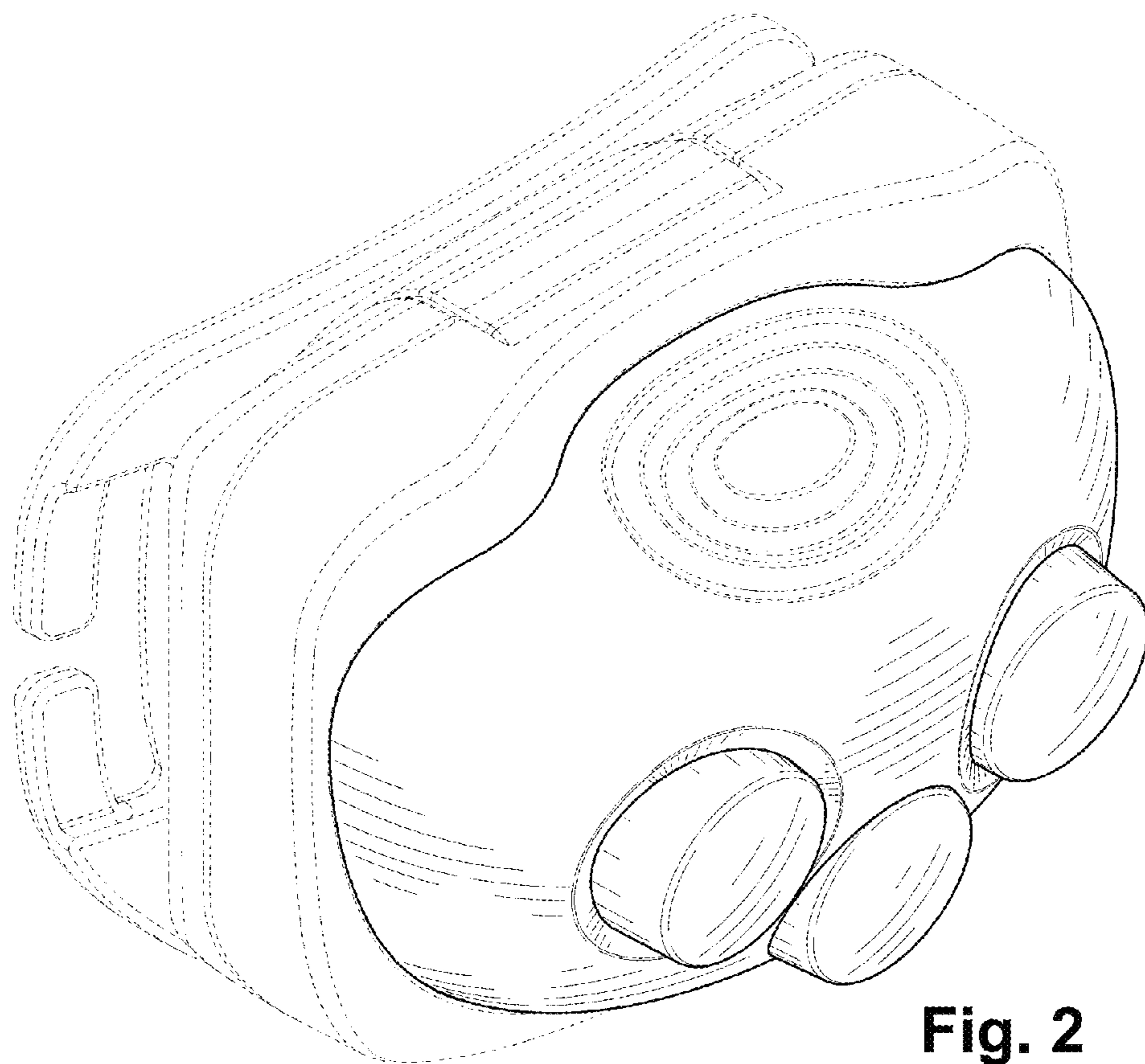


Fig. 2

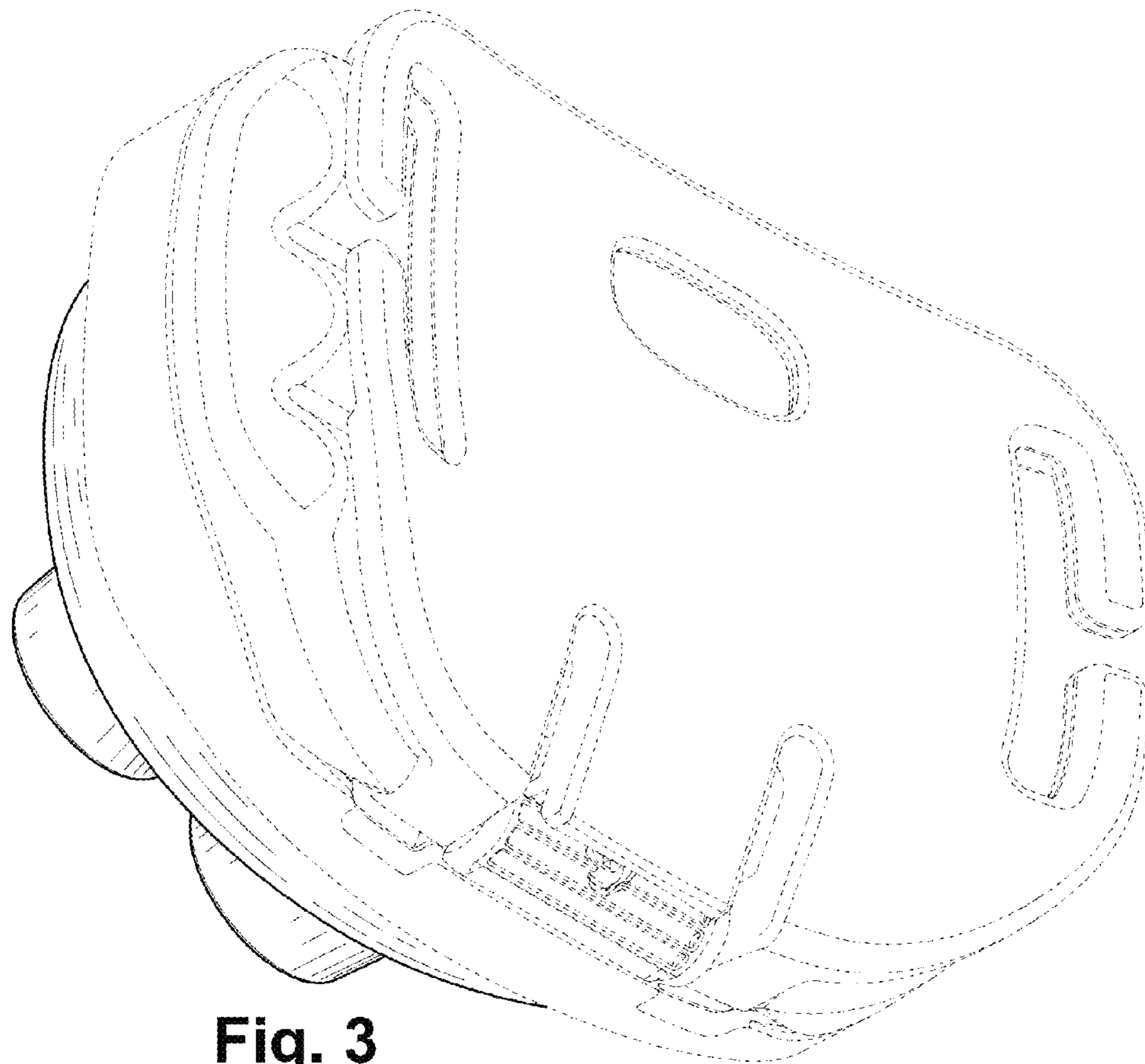


Fig. 3

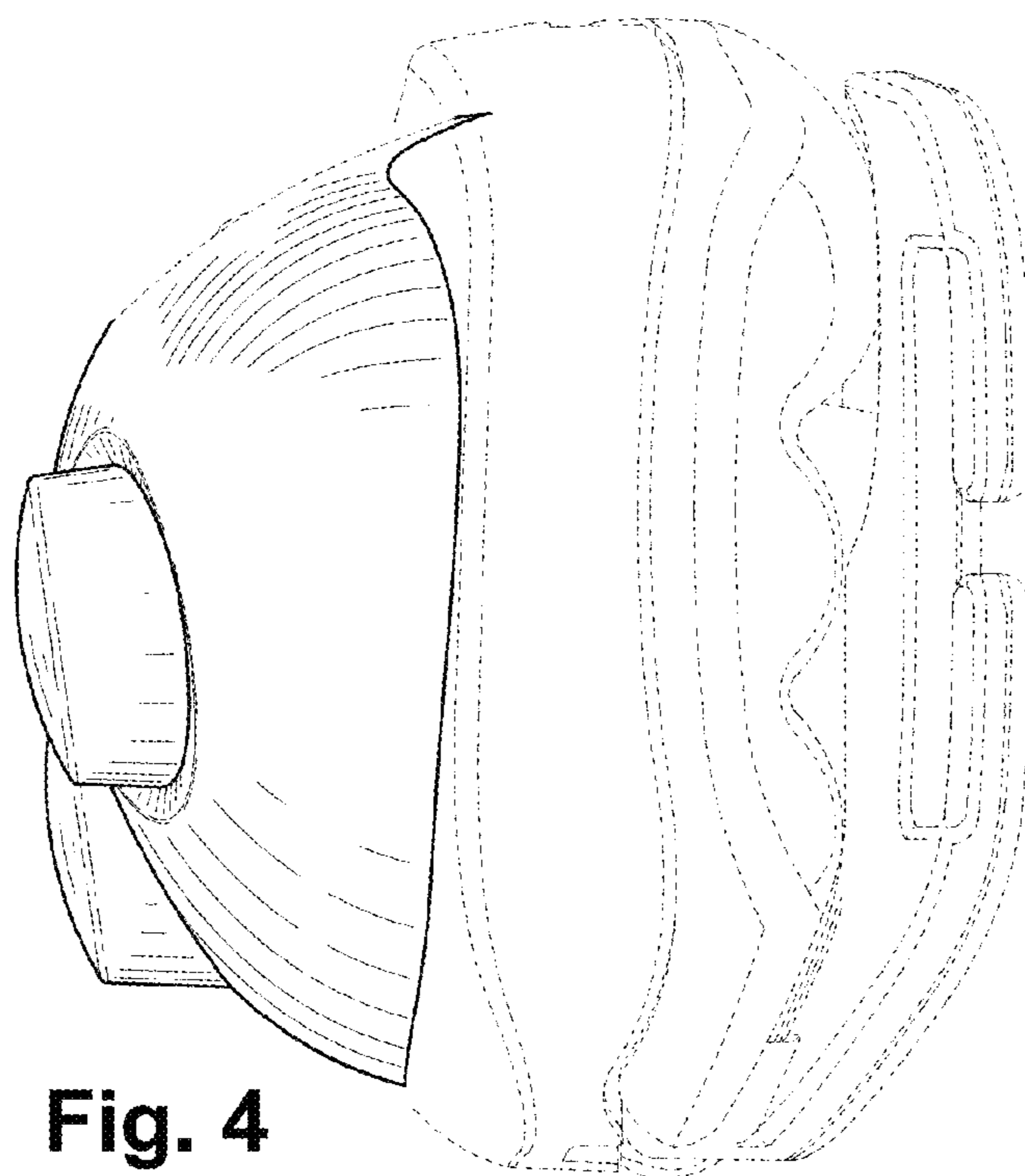


Fig. 4

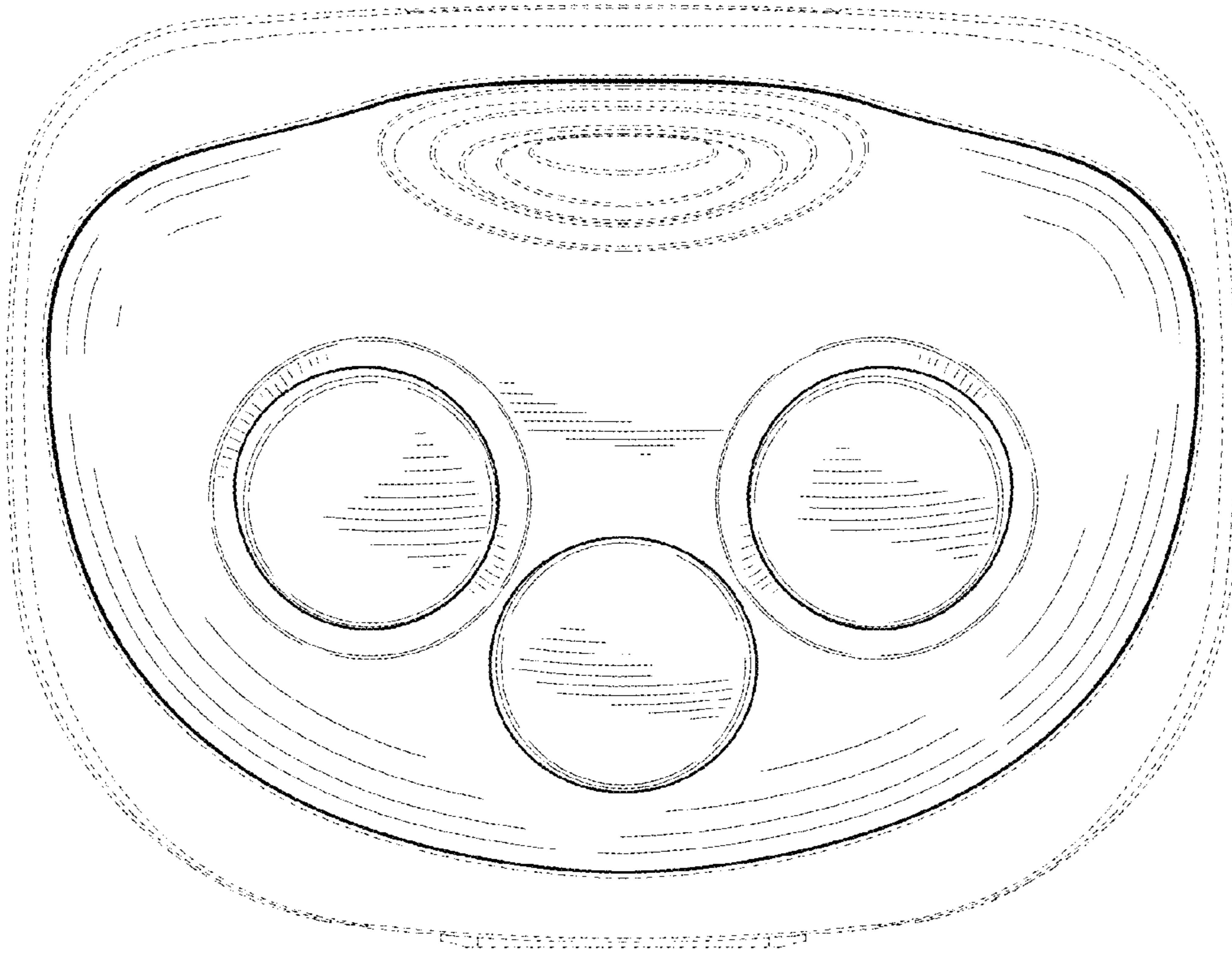


Fig. 5

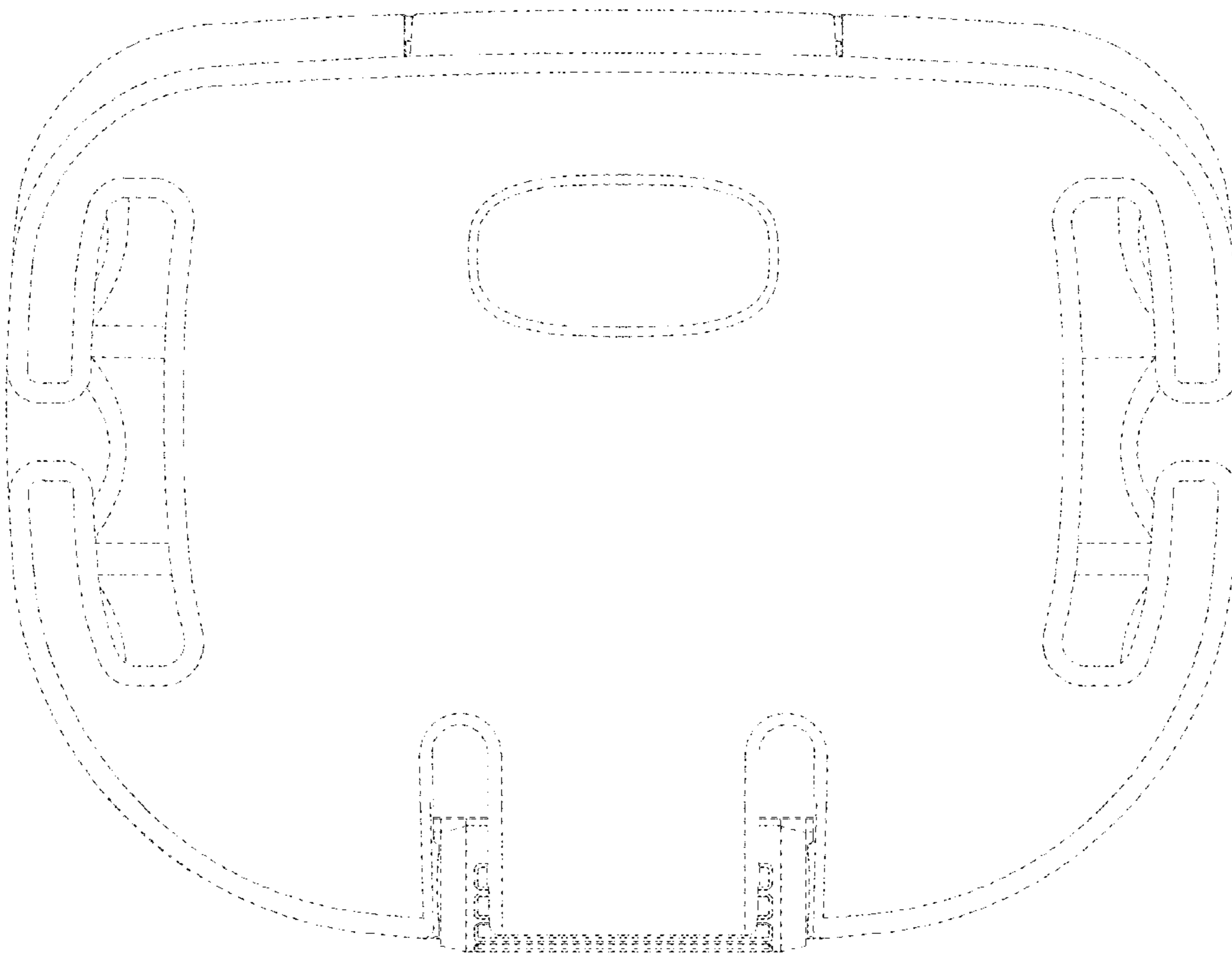


Fig. 6

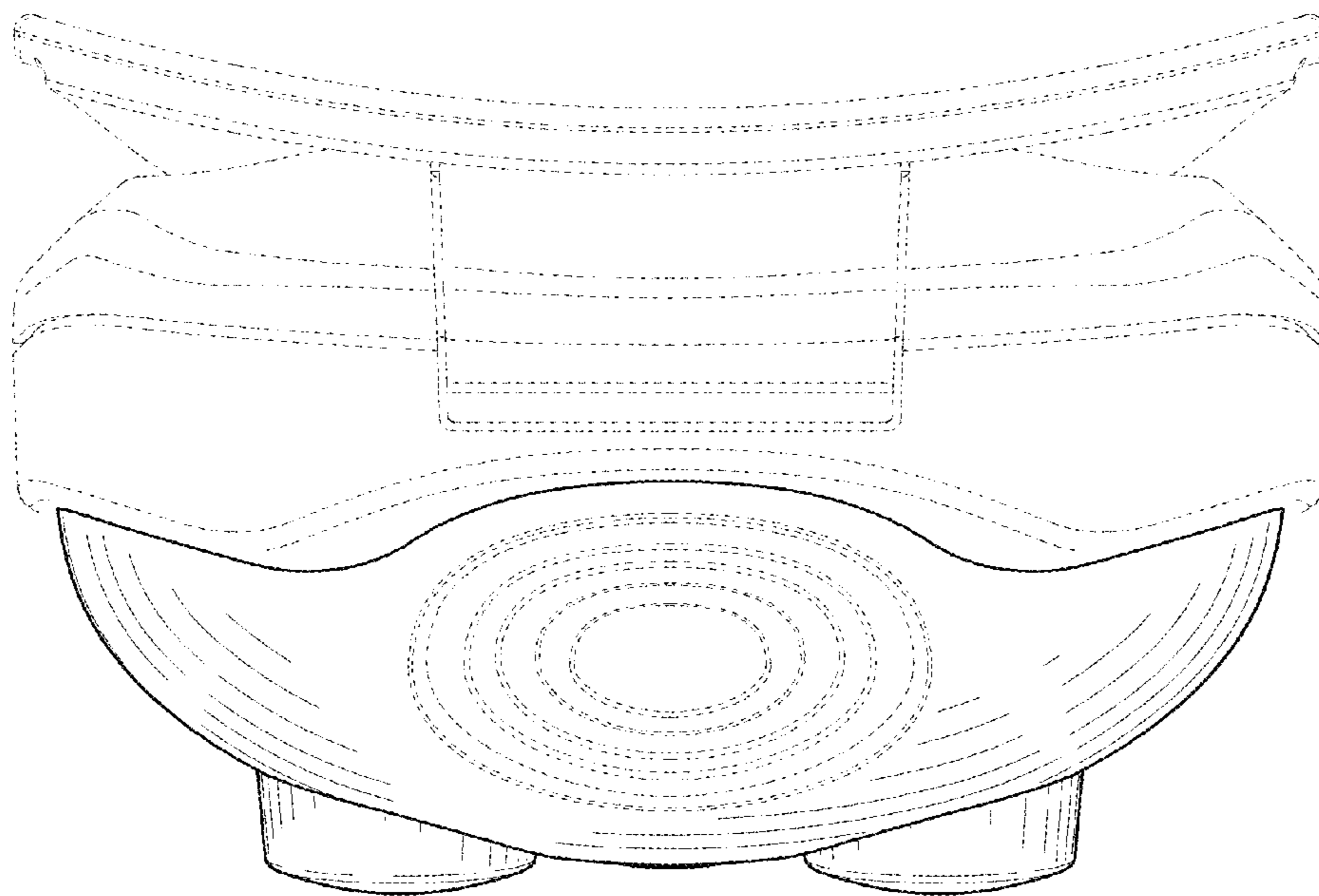


Fig. 7

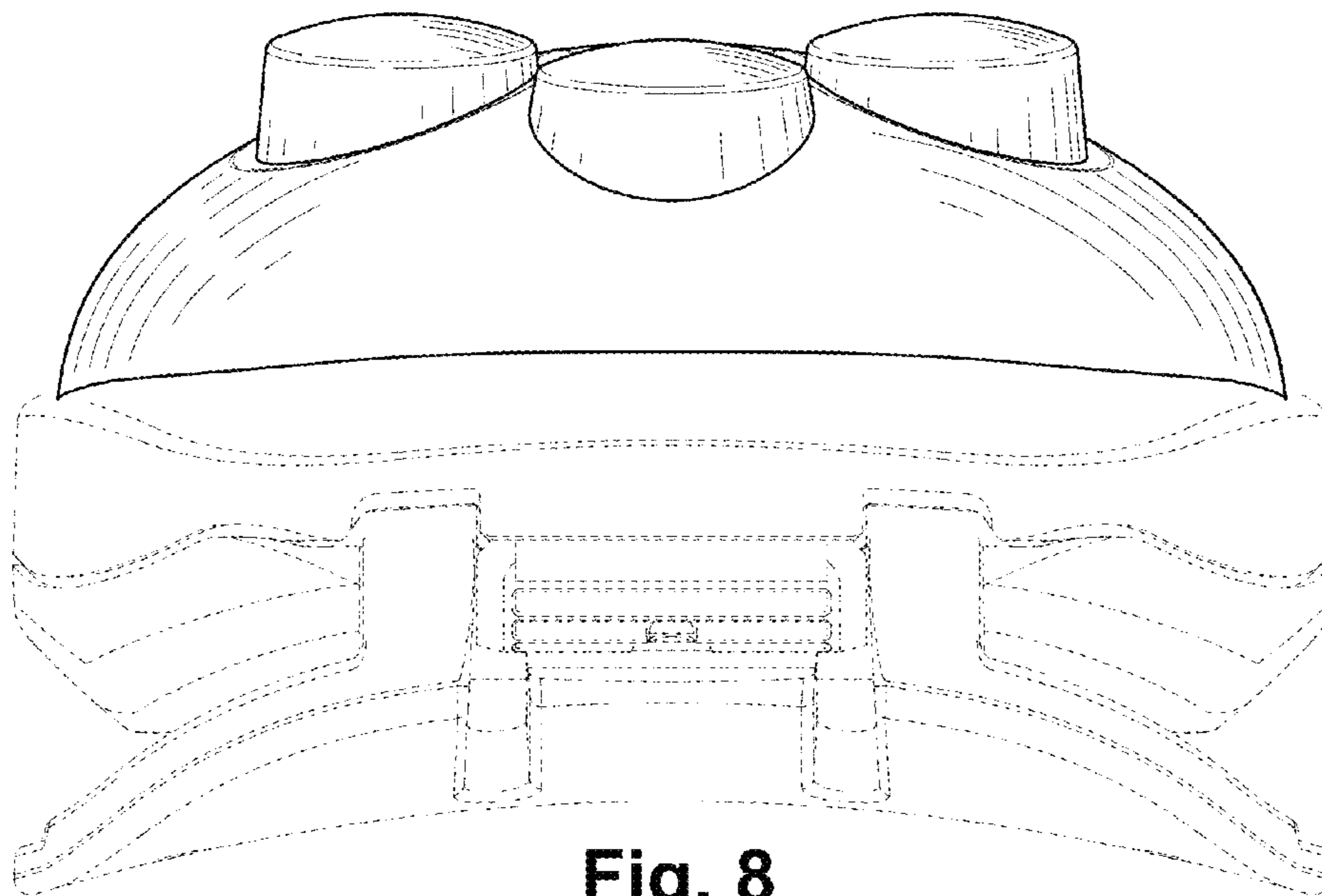


Fig. 8

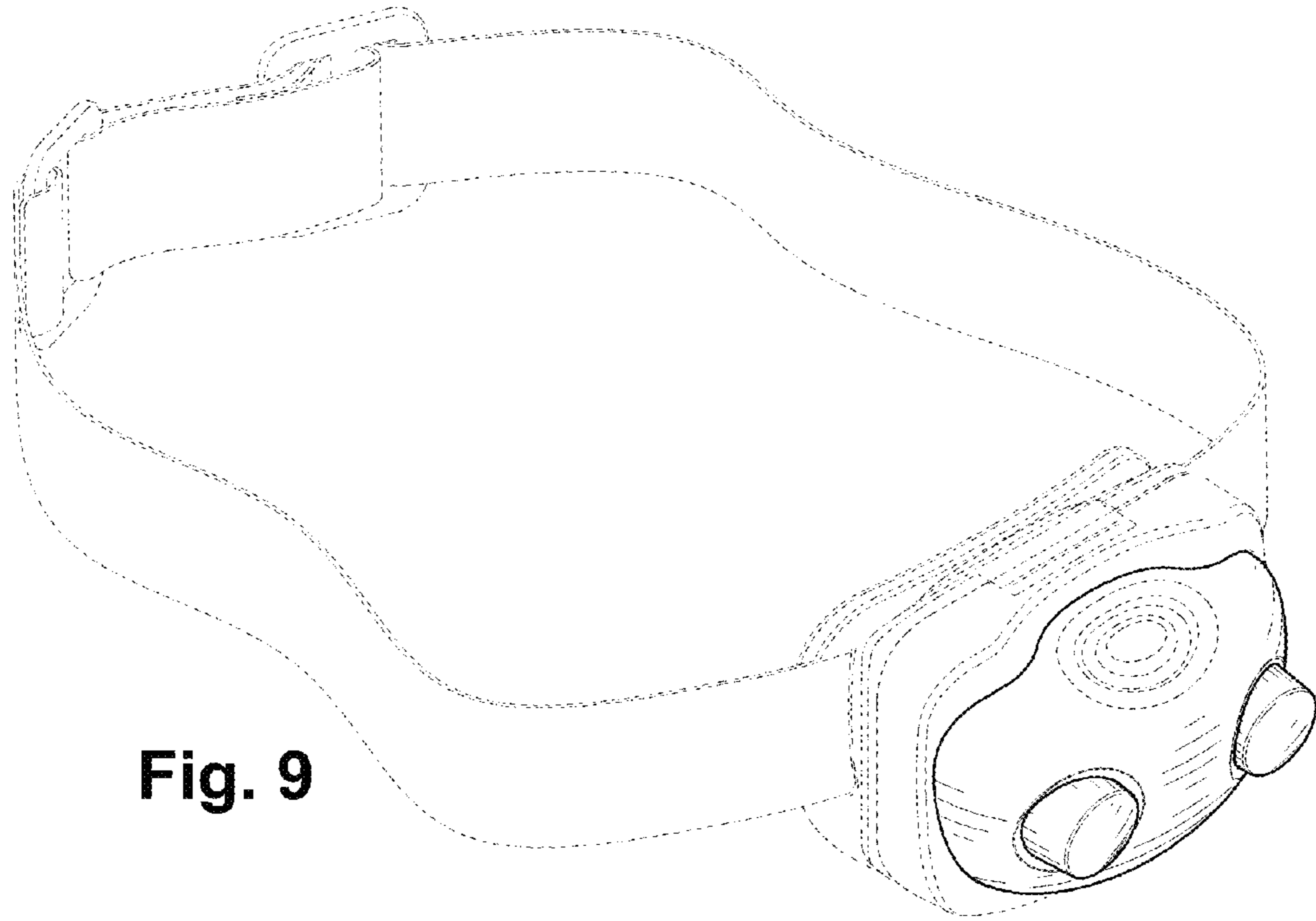


Fig. 9

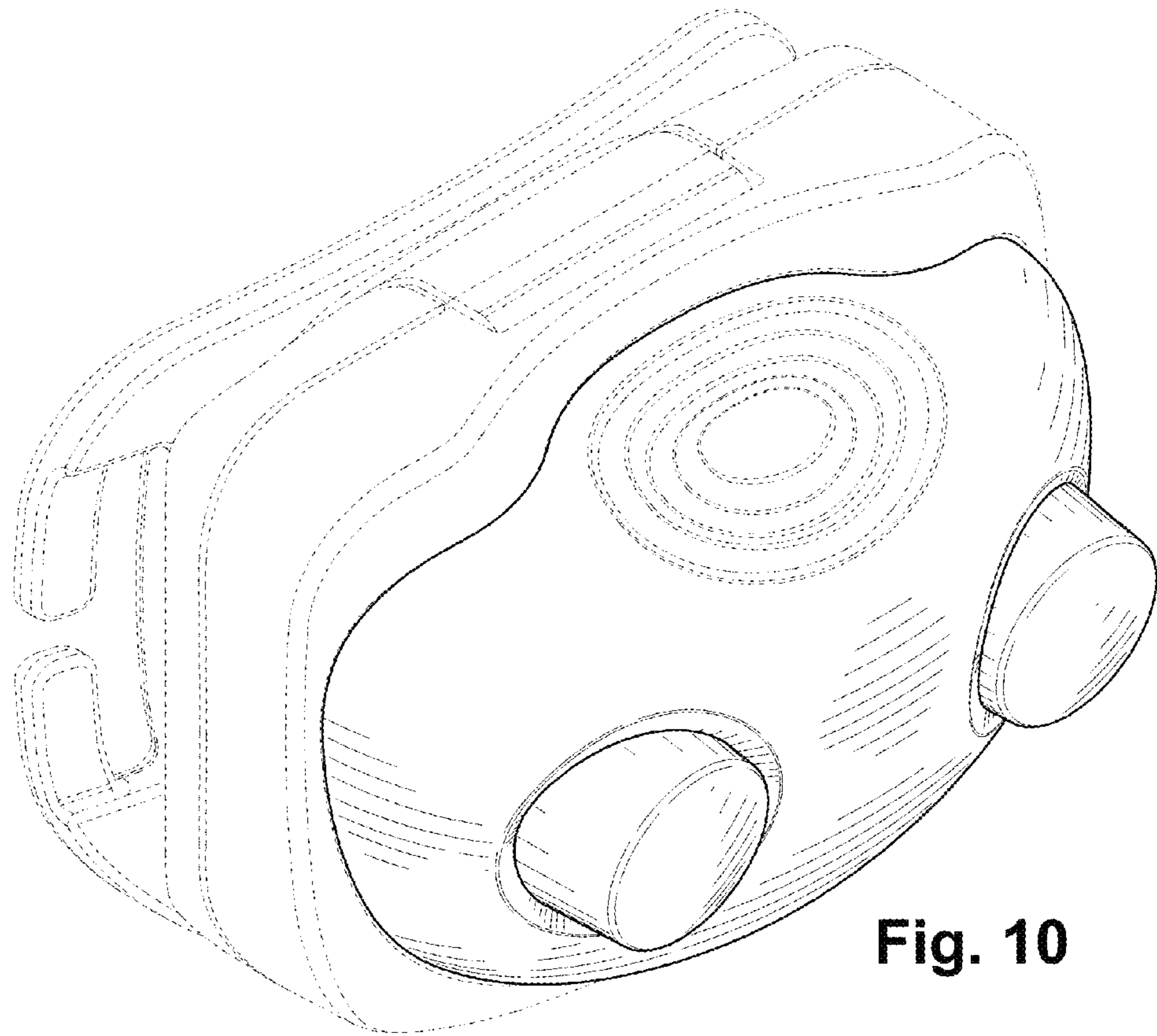


Fig. 10

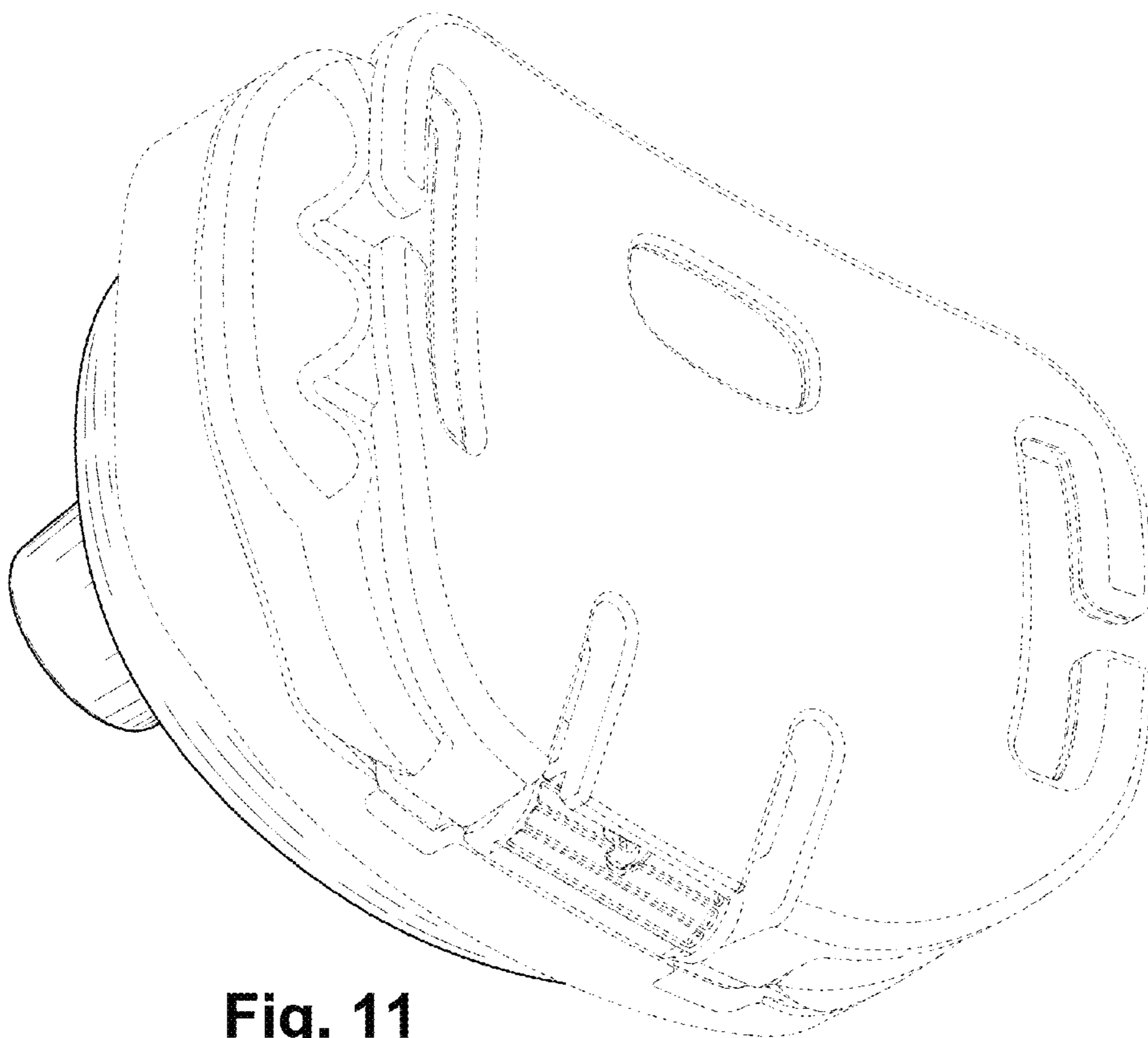


Fig. 11

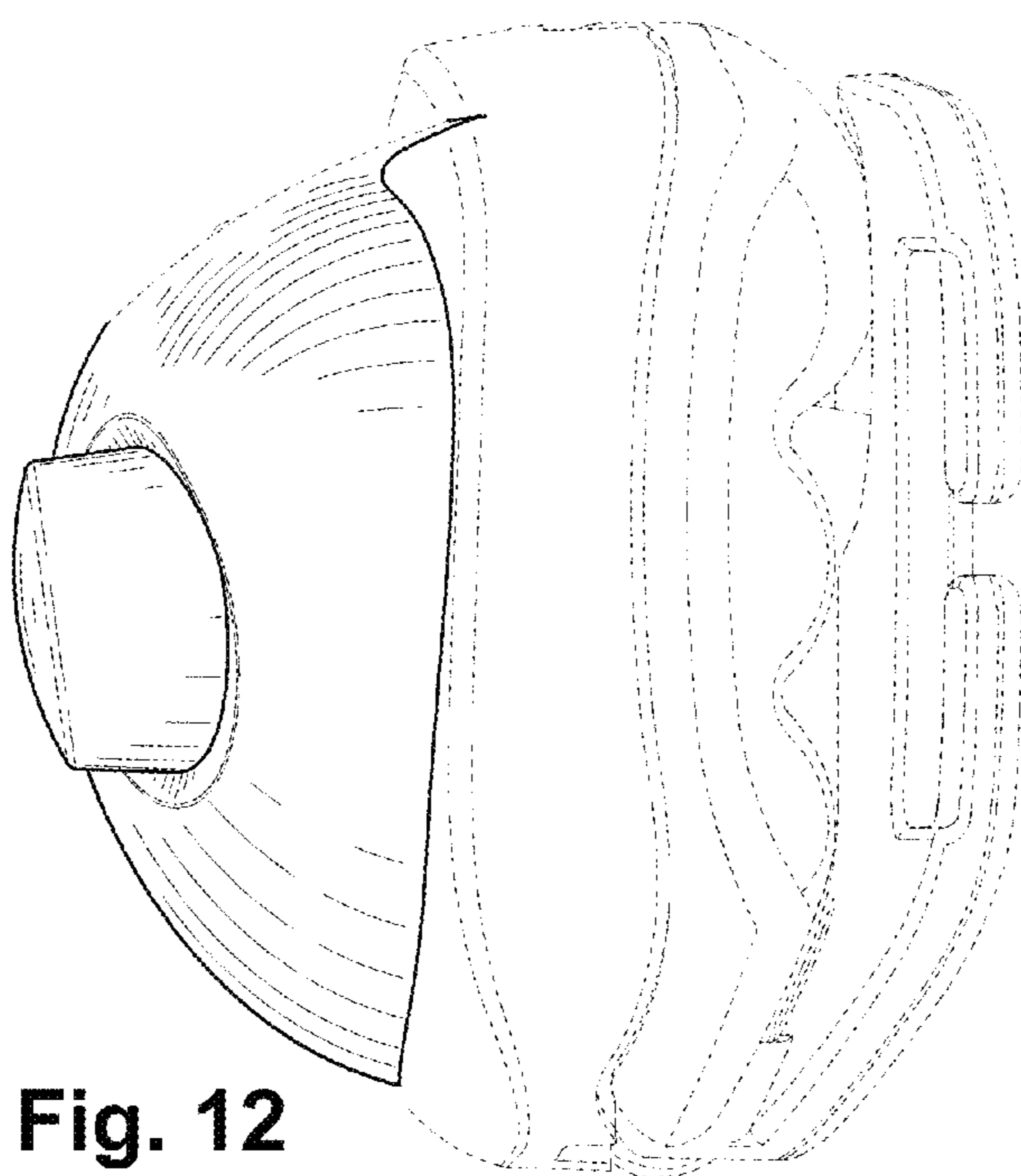


Fig. 12

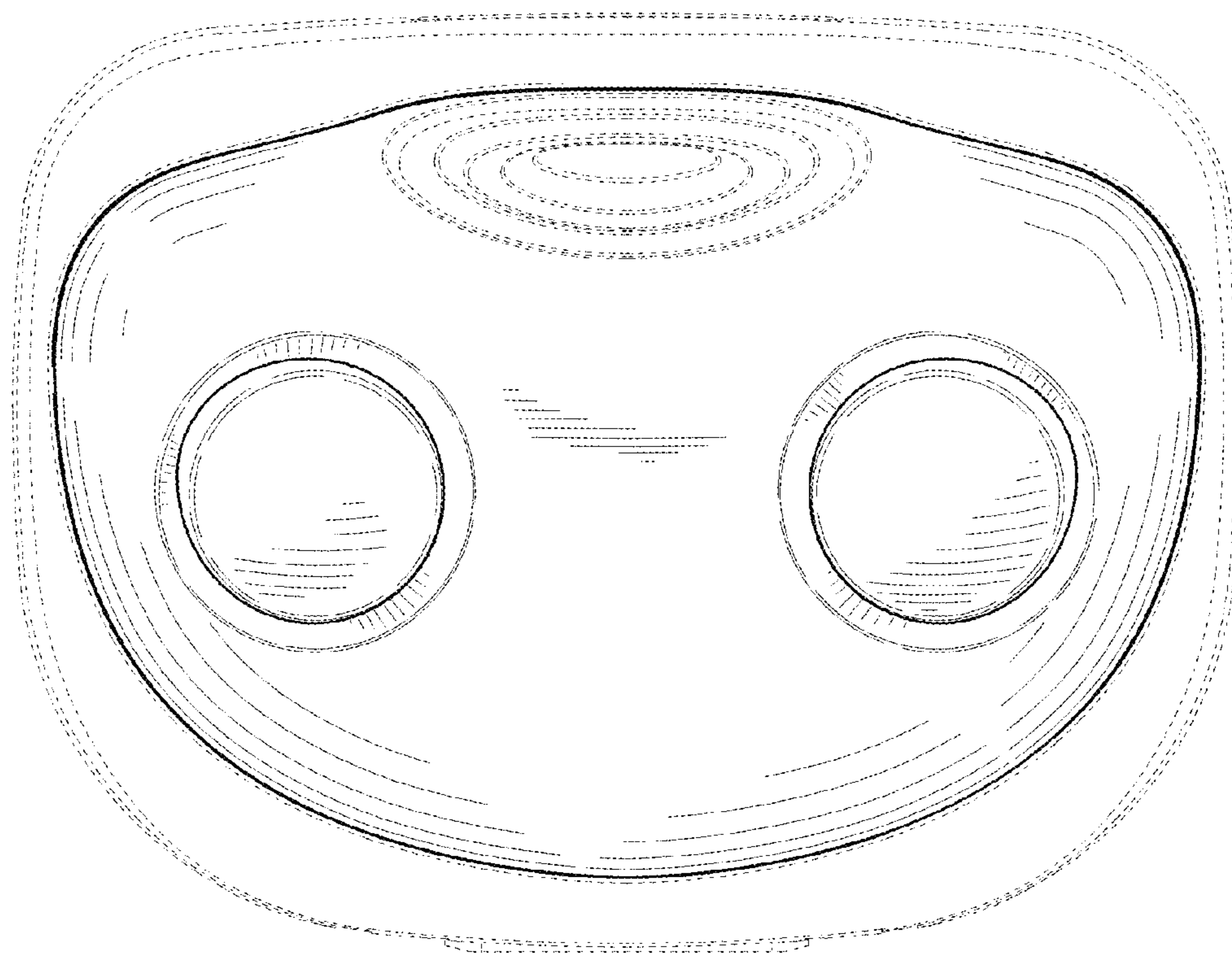


Fig. 13

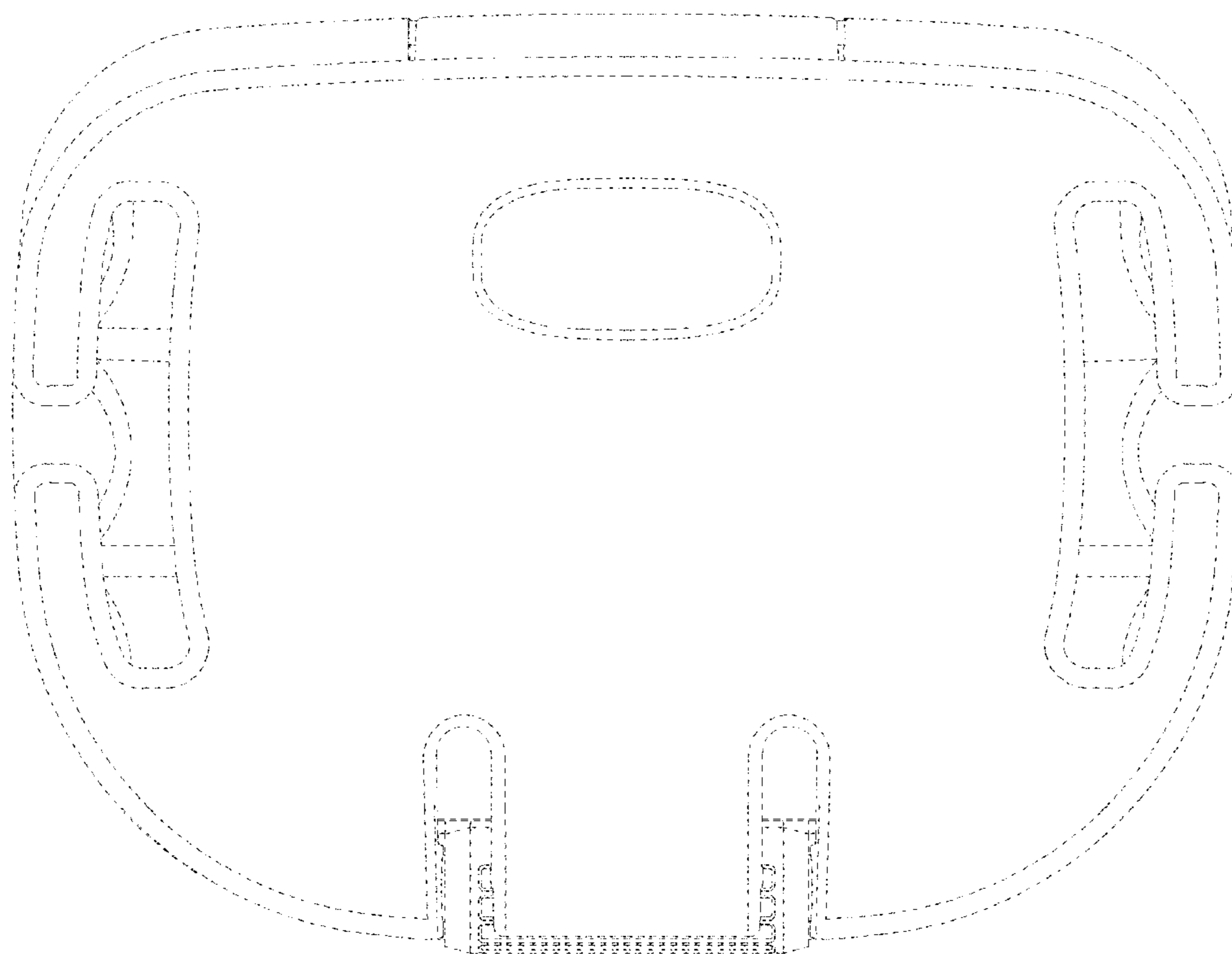


Fig. 14

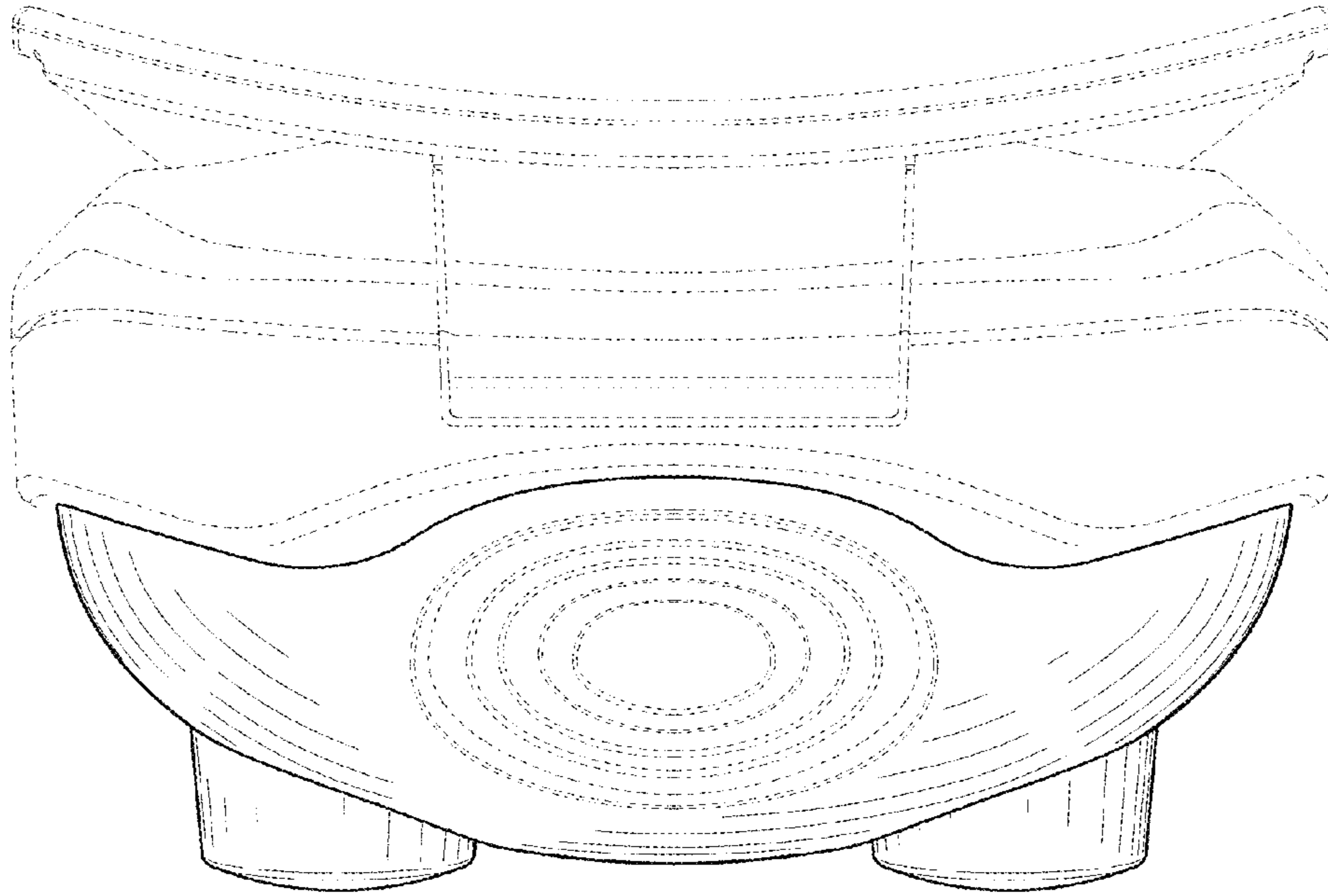


Fig. 15

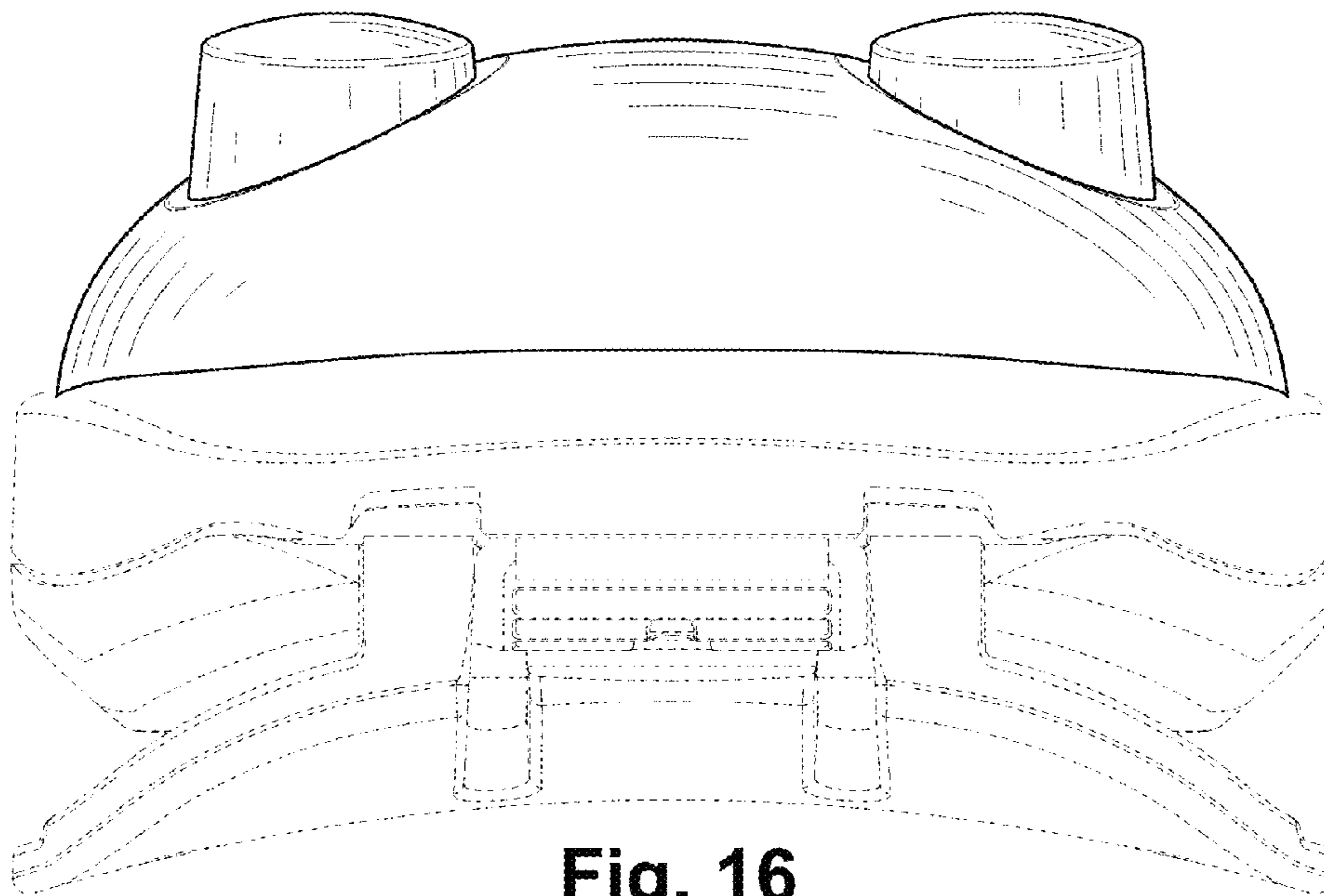


Fig. 16

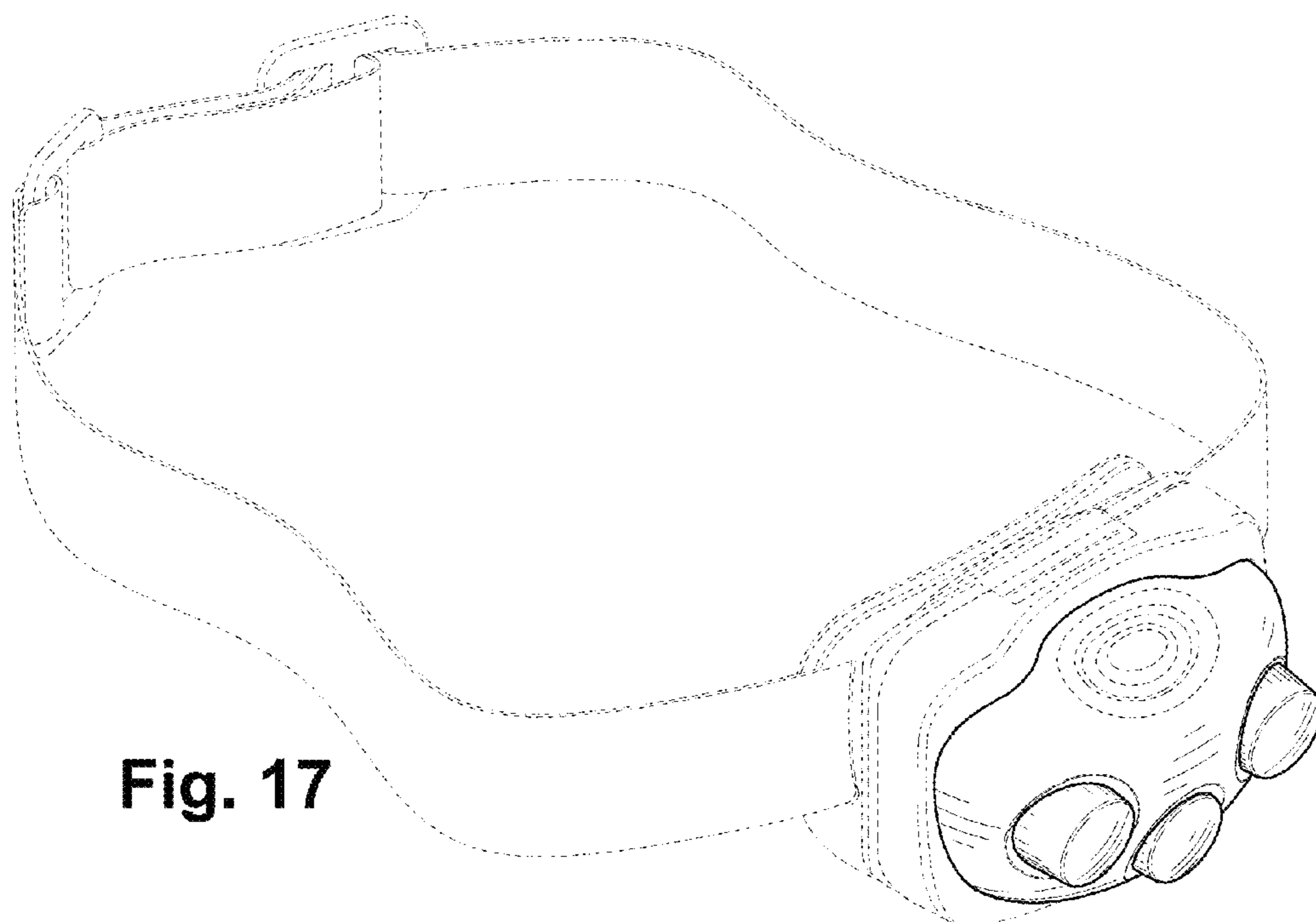


Fig. 17

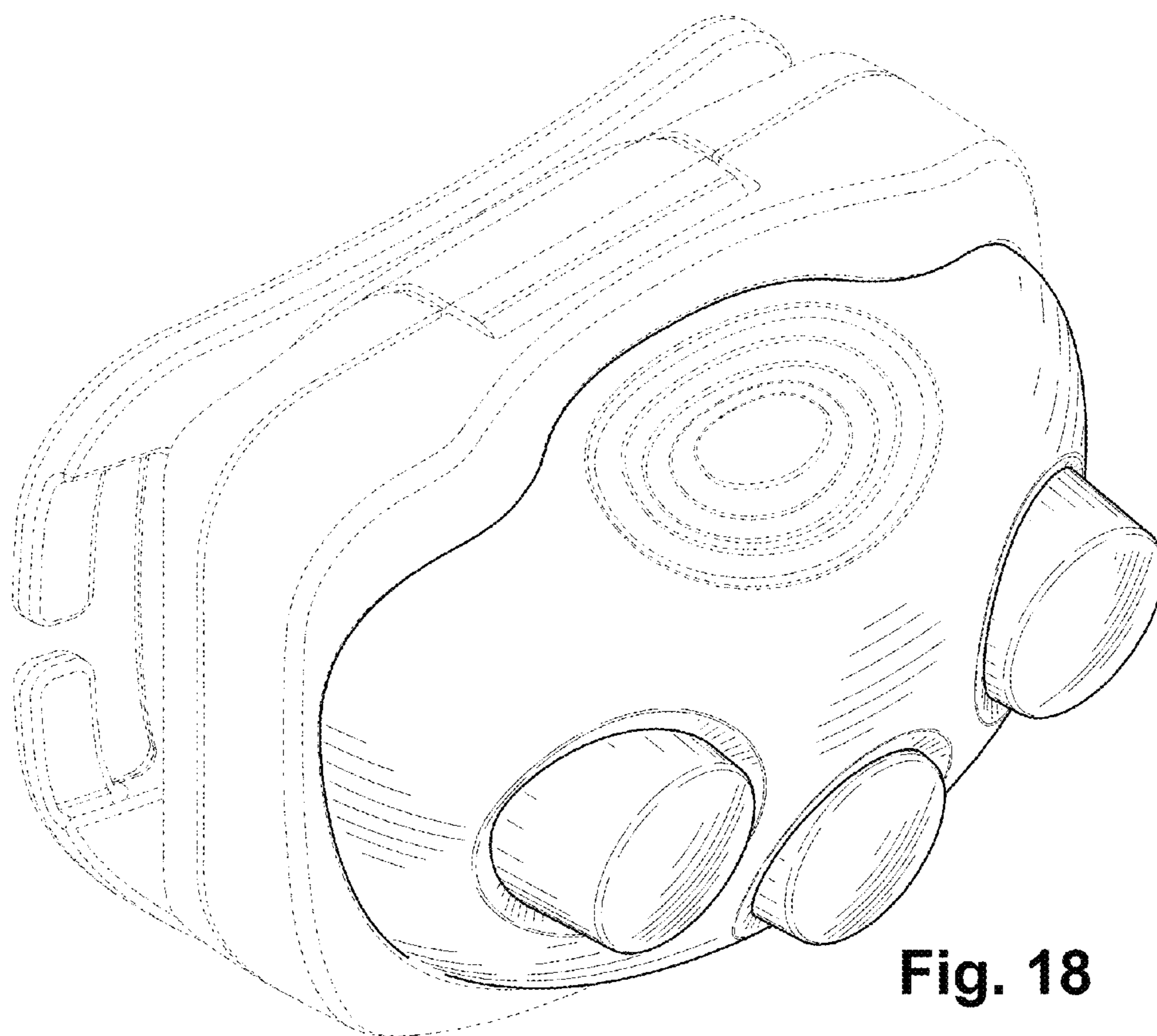


Fig. 18

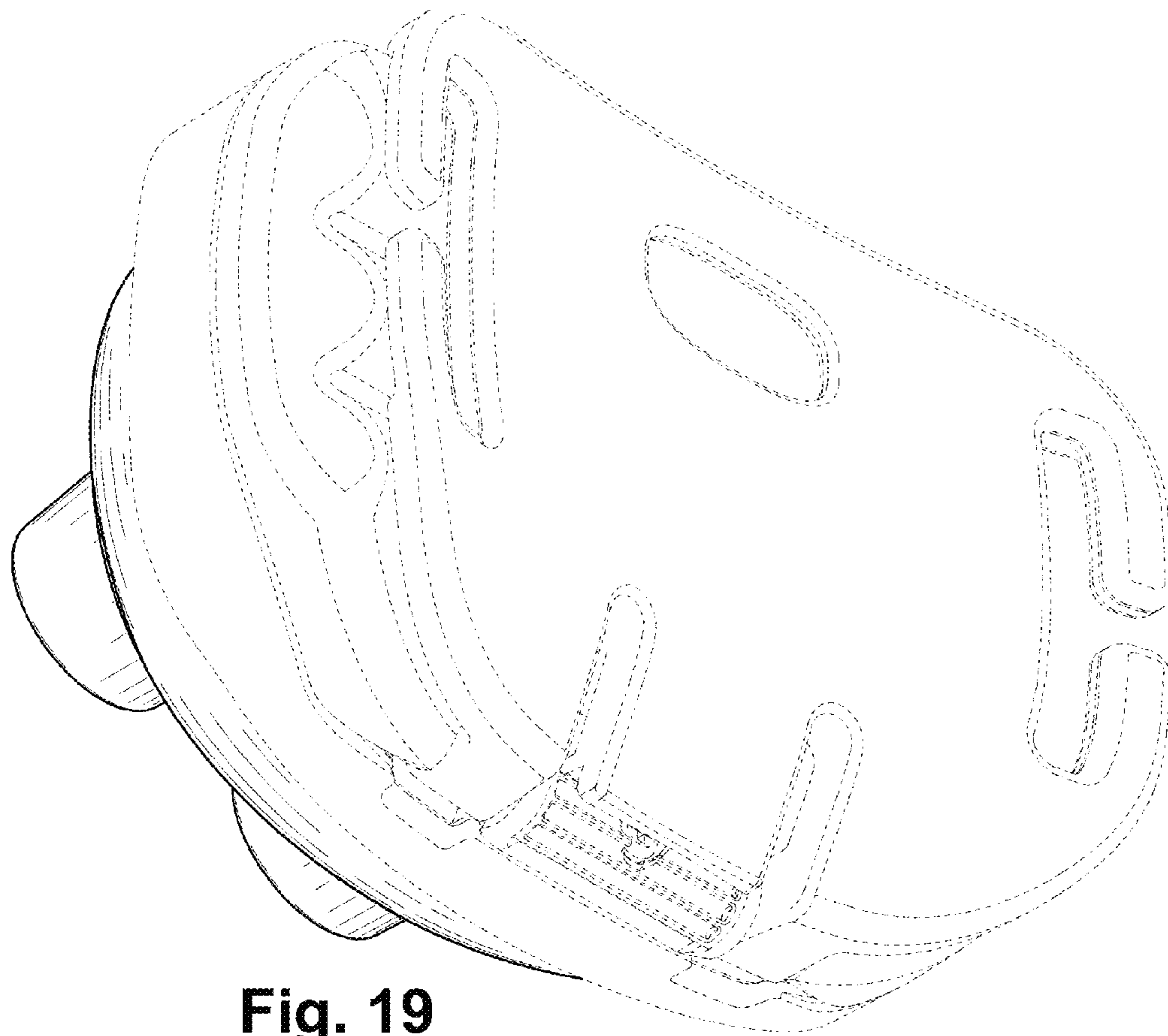


Fig. 19

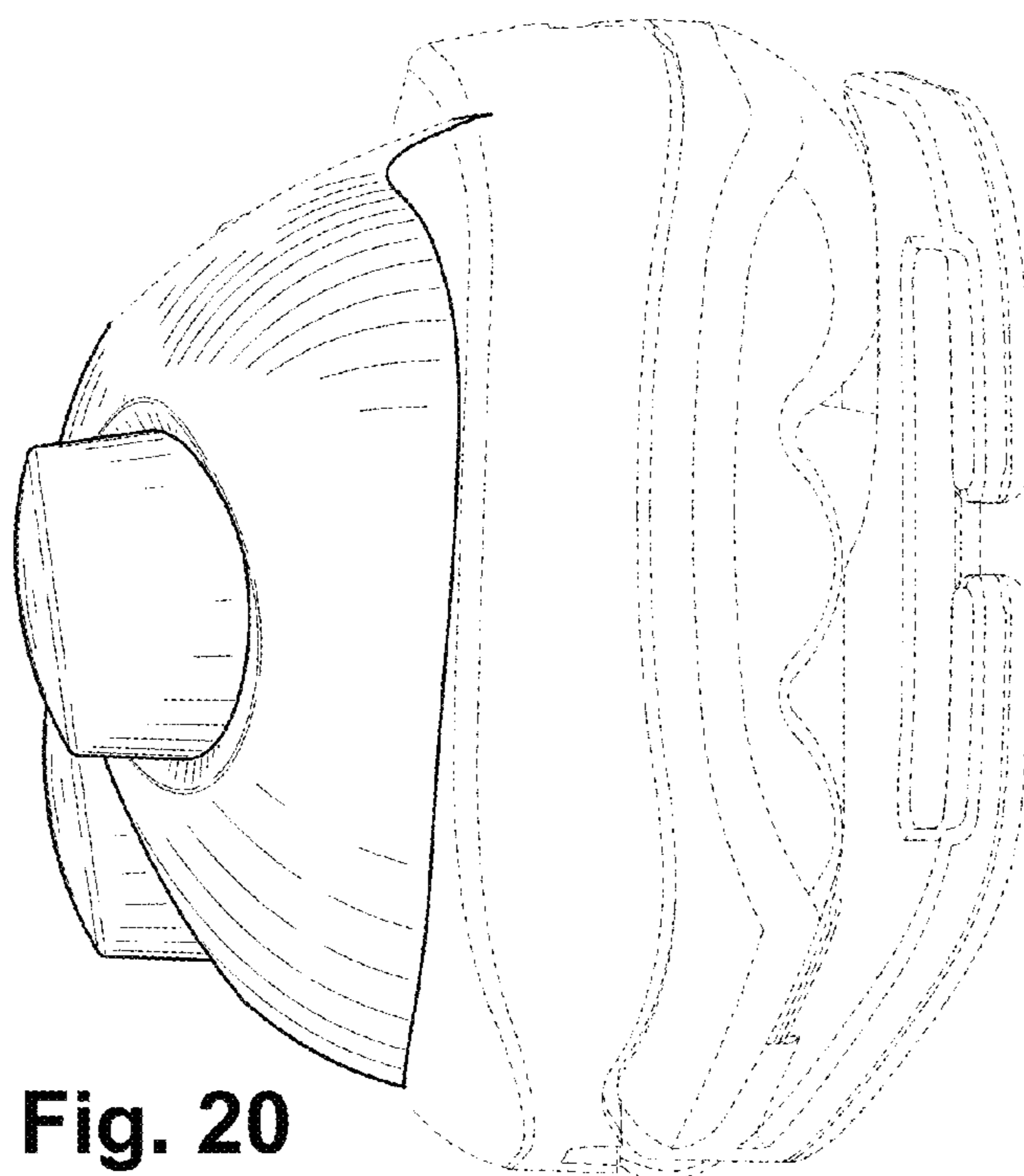


Fig. 20

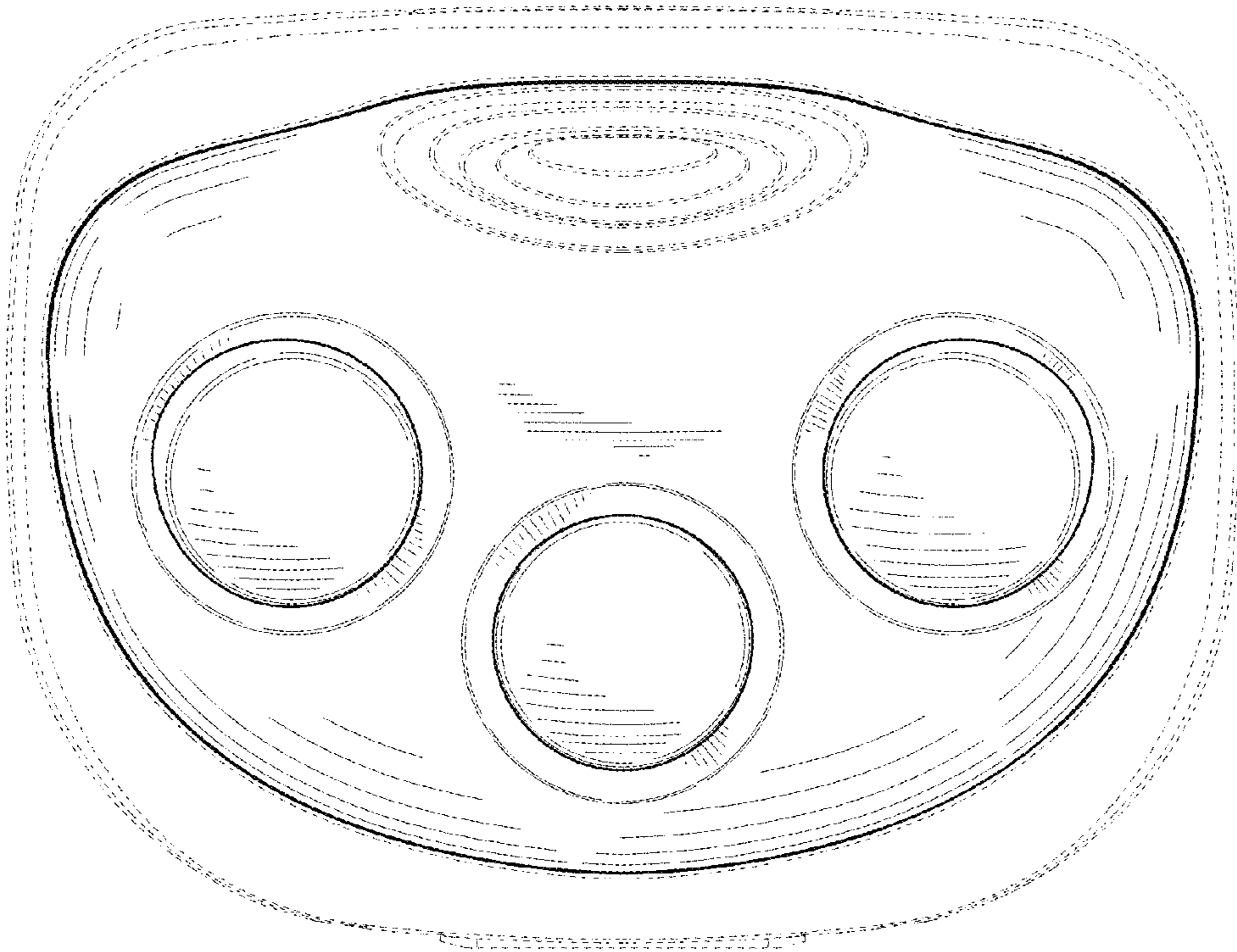


Fig. 21

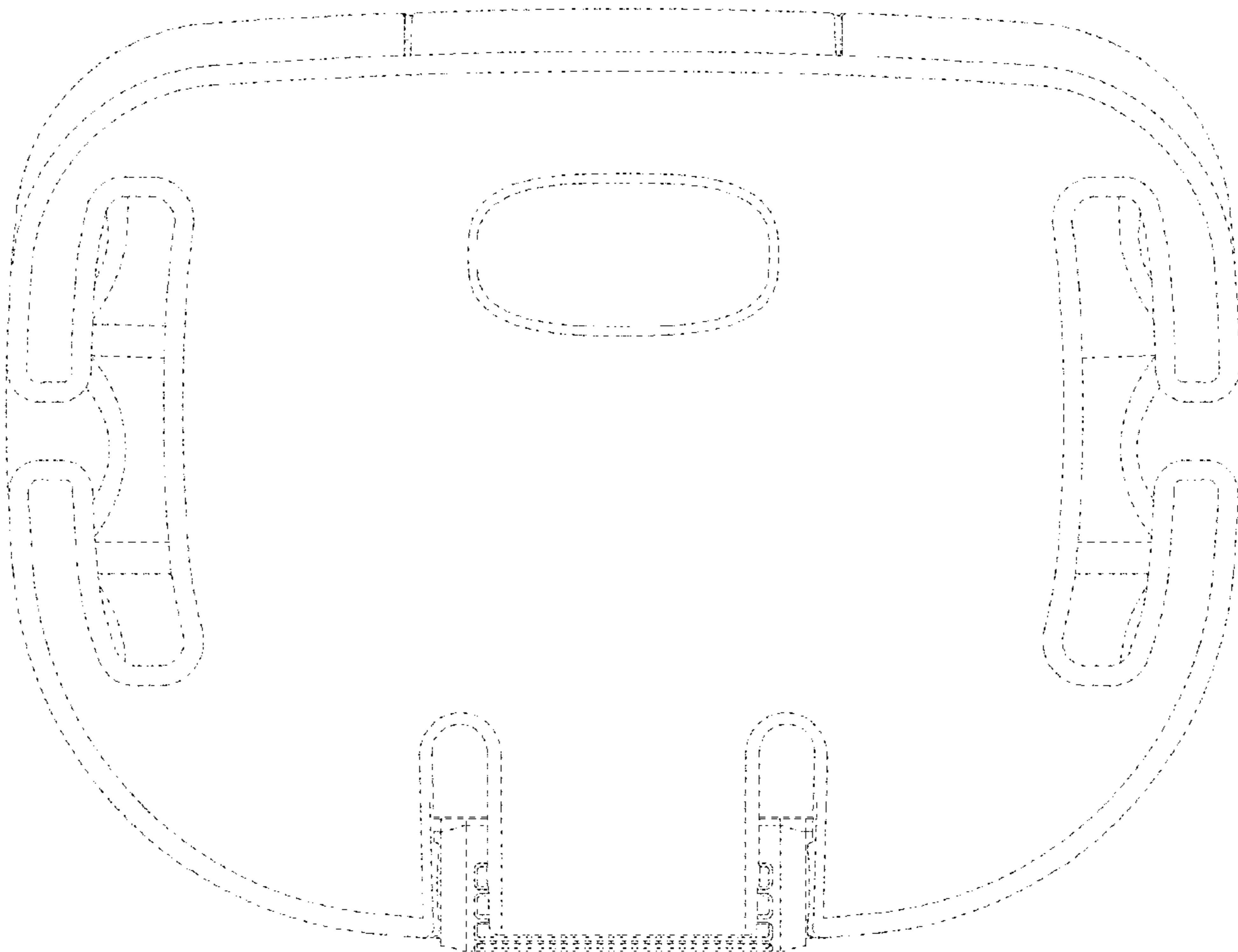


Fig. 22

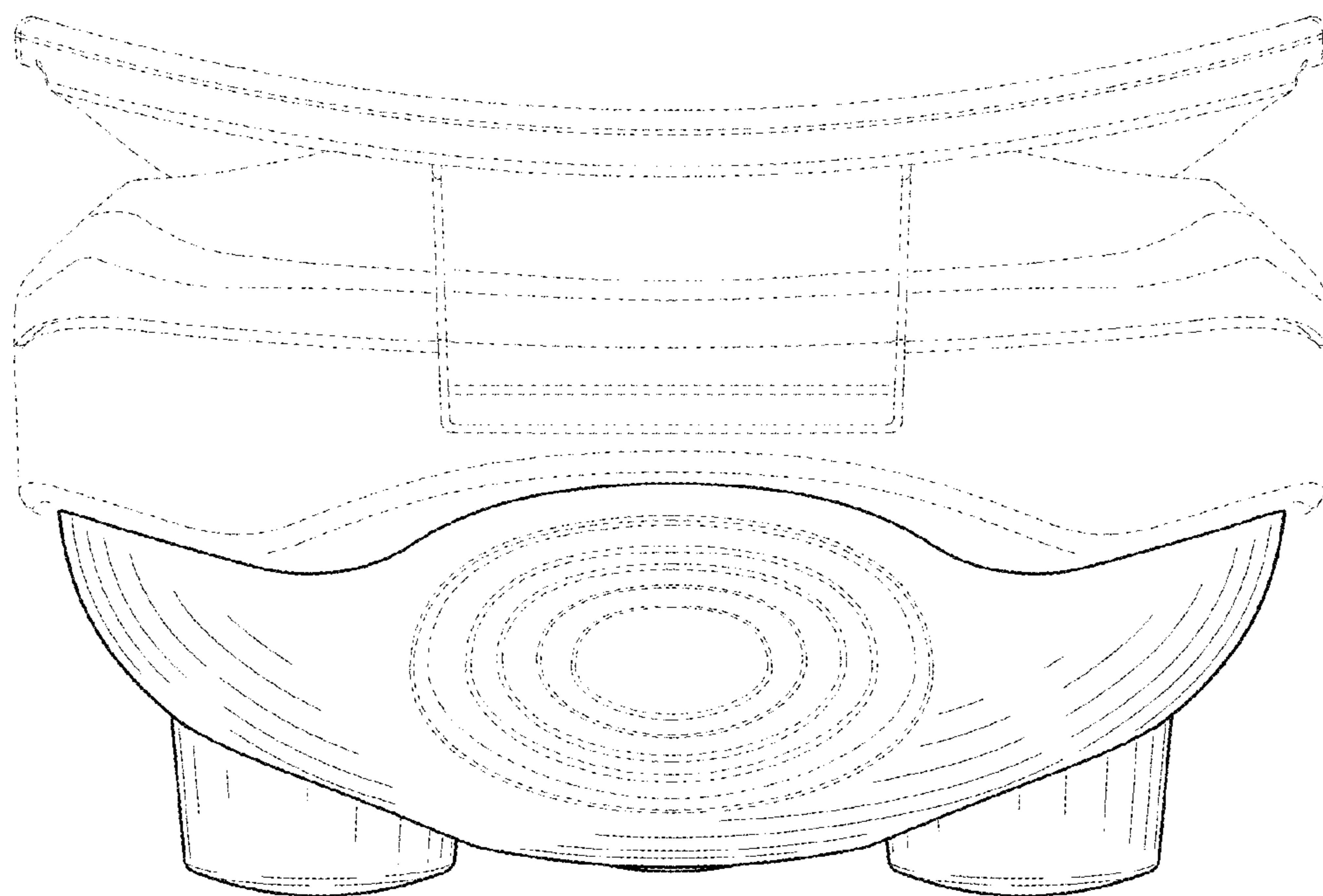


Fig. 23

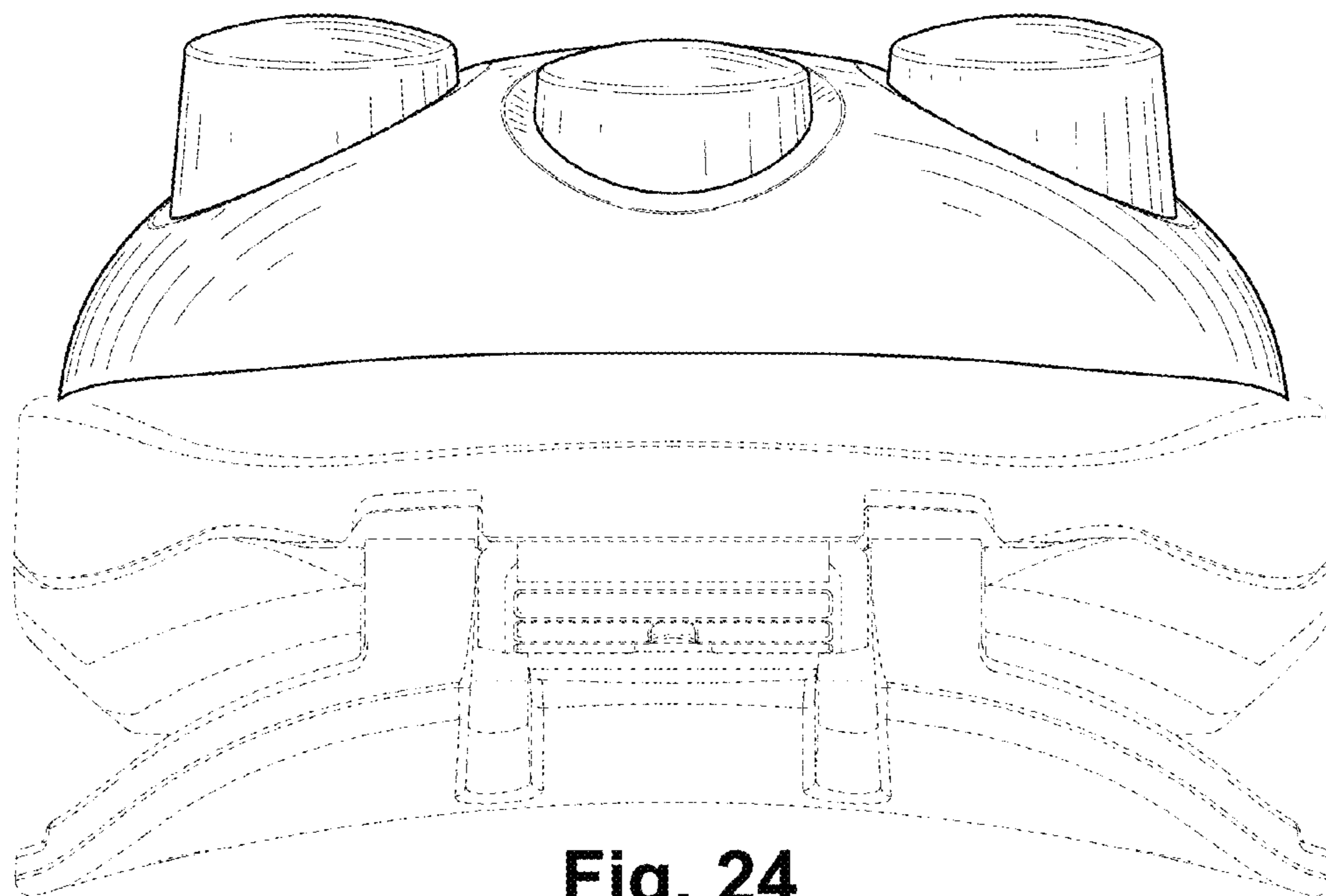


Fig. 24