



US00D744132S

(12) **United States Design Patent**
Hollingworth et al.

(10) **Patent No.:** **US D744,132 S**
(45) **Date of Patent:** **** Nov. 24, 2015**

(54) **BICYCLE LIGHT**

(71) Applicant: **Brainy Bike Lights Ltd.**, London (GB)

(72) Inventors: **Crawford Hollingworth**, Oxford (GB);
Catherine Louisa Hollingworth,
Oxford (GB)

(73) Assignee: **Brainy Bike Lights Ltd.** (GB)

(**) Term: **14 Years**

(21) Appl. No.: **29/488,359**

(22) Filed: **Apr. 17, 2014**

(51) **LOC (10) Cl.** **26-06**

(52) **U.S. Cl.**
USPC **D26/28**

(58) **Field of Classification Search**

USPC D26/28–36, 39, 60–66, 121, 138–140,
D26/142; 362/84, 341, 459–468, 473,
362/475–478, 485–487, 511, 523;
D10/104.1, 111, 113.4, 114.1, 114.2,
D10/114.3, 114.9, 115; D20/10, 14, 23, 25,
D20/29–32, 35, 99; D12/187–189
CPC F21V 15/01; F21V 15/013; F21V 21/02;
F21V 21/04; F21V 7/0008

See application file for complete search history.

(56) **References Cited**

U.S. PATENT DOCUMENTS

D234,128 S * 1/1975 Kiniry et al. D10/111
4,555,114 A * 11/1985 Dozier 473/588
D314,161 S * 1/1991 Kondo D10/113.4
D339,996 S * 10/1993 Rattley D10/104.1
D353,165 S * 12/1994 LeMarr et al. D26/39
D391,881 S * 3/1998 Youseph D10/114.1
D420,761 S * 2/2000 Dahl D26/139
D446,465 S * 8/2001 Slood D10/113.4
6,963,275 B2 * 11/2005 Smalls 362/84
D520,395 S * 5/2006 Lazalier D10/113.4

D558,627 S * 1/2008 Bowers D10/113.4
D603,550 S * 11/2009 Levine D26/80
D653,579 S * 2/2012 Niven et al. D10/114.2
D669,759 S * 10/2012 Castilleja et al. D8/354
D703,488 S * 4/2014 De Veiga Martins D10/113.4
2005/0254908 A1 * 11/2005 Norstrom et al. 407/113
2015/0055360 A1 * 2/2015 Hollingworth et al. 362/511

OTHER PUBLICATIONS

Found . . . The solution to safer urban cycling, SourceWire.com,
published Apr. 7, 2014, online. Site URL:<“http://www.sourcewire.
com/news/82456/found-the-solution-to-safer-urban-cycling-
behavioural-science-cracks#.VWZCM_IdXuw”>.*

Set of Brainy Bike Lights: The Original Bike Symbol Lights®,
BrainyBikeLights.com, earliest date available Apr. 12, 2014, online.
Site URL:<“http://www.brainybikelights.com/shop/bike-light-2/
”>.*

Bicycle Signs, Shutterstock.com, online. Reference acquired on May
28, 2015. Site URL:<“http://www.shutterstock.com/s/
%22bike+lane+marker%22/search.html?page=1
&inline=259230107”>.*

* cited by examiner

Primary Examiner — Cynthia Ramirez

Assistant Examiner — Llorellys Martinez-Rivera

(74) *Attorney, Agent, or Firm* — Tumey L.L.P.

(57) **CLAIM**

The ornamental design for a bicycle light, as shown and
described.

DESCRIPTION

FIG. 1 illustrates a rear view of a bicycle light showing our
new design;

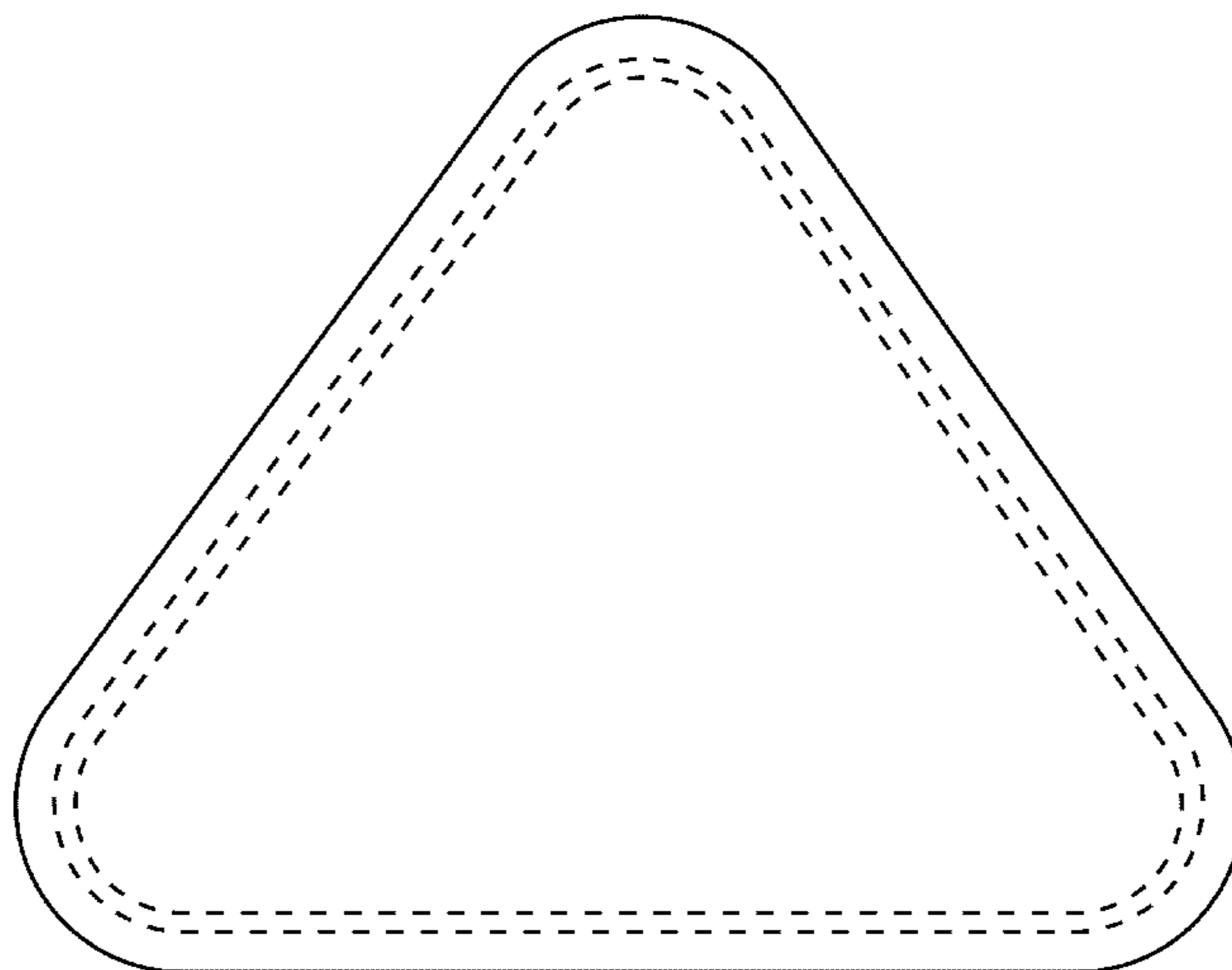
FIG. 2 illustrates a front view thereof;

FIG. 3 illustrates a top, front perspective view thereof; and,

FIG. 4 illustrates a side view thereof.

The broken lines shown in FIGS. 1, 3, and 4 illustrate portions
of the bicycle light that form no part of the claimed design.

1 Claim, 4 Drawing Sheets



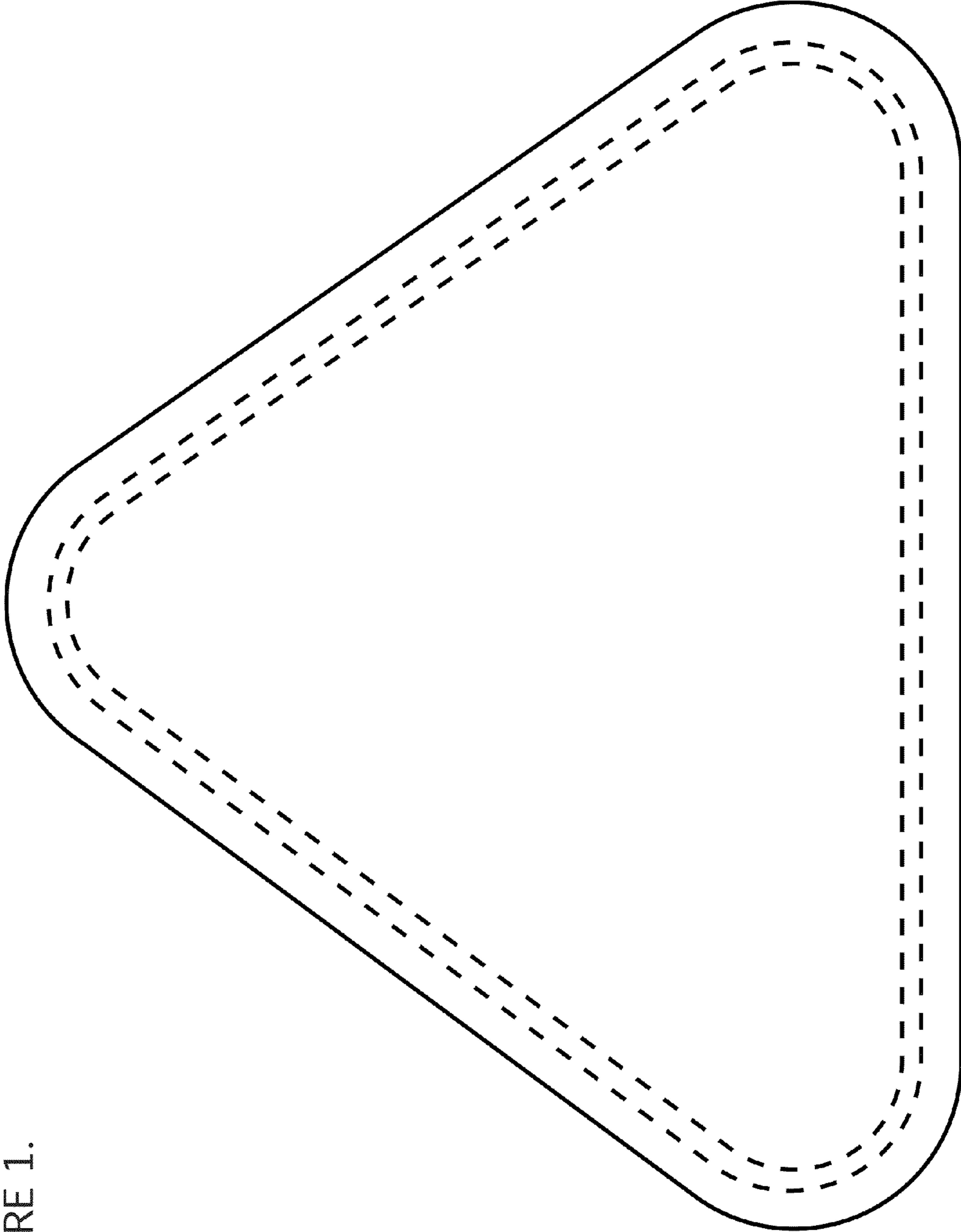


FIGURE 1.

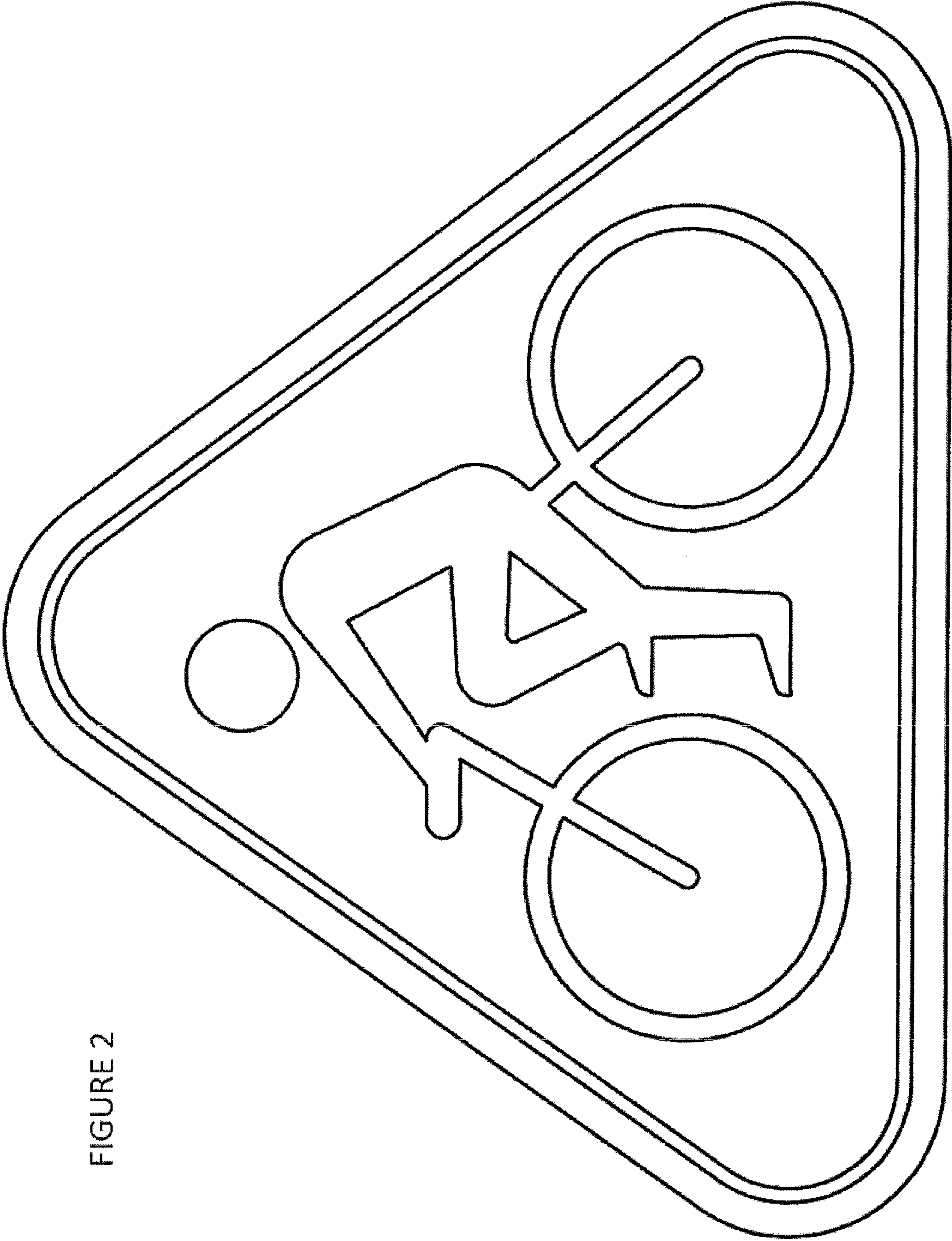


FIGURE 2

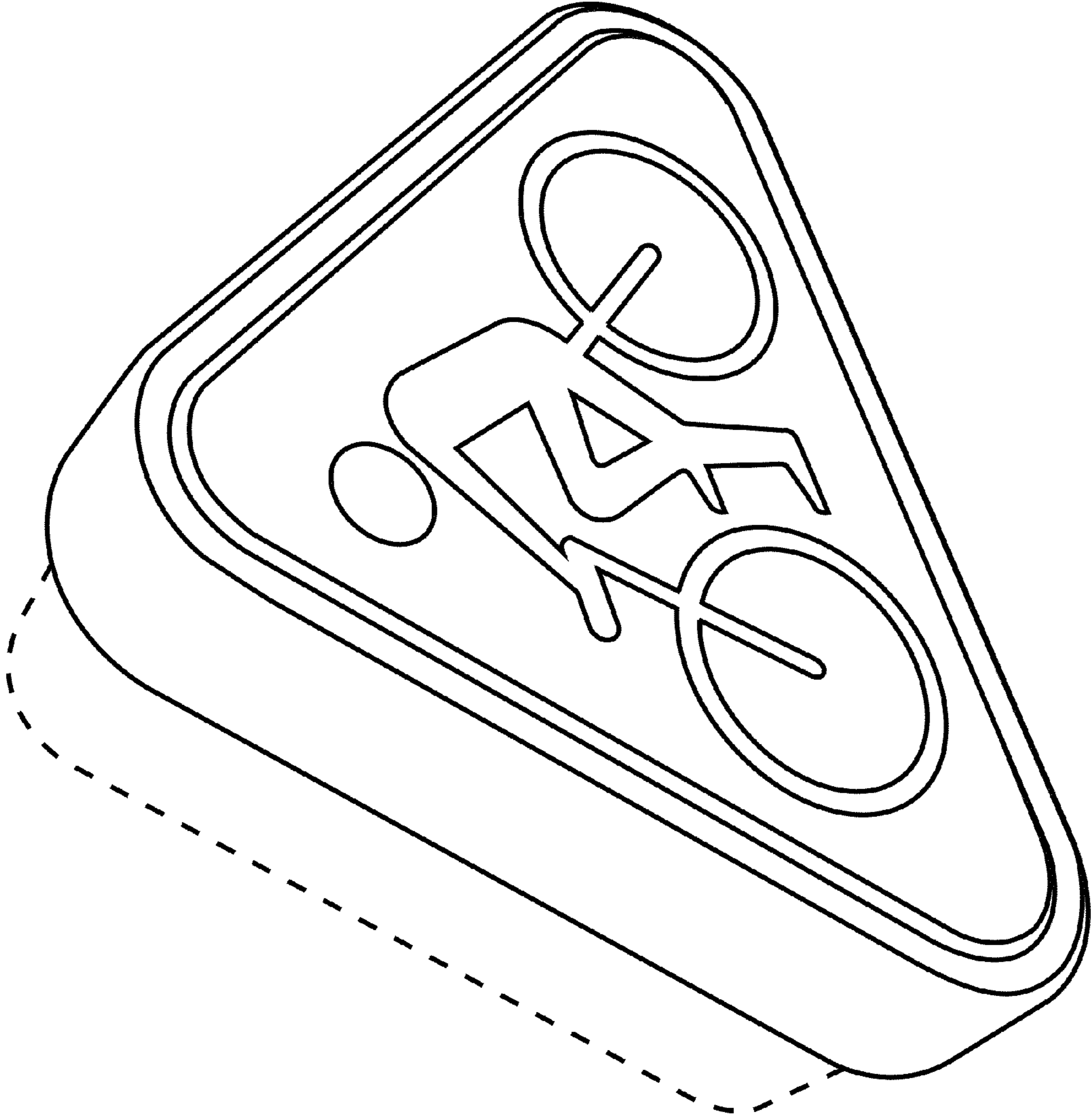


FIGURE 3.

FIGURE 4.

