



US00D744130S

(12) **United States Design Patent**  
**Sasaki**

(10) **Patent No.:** **US D744,130 S**

(45) **Date of Patent:** **\*\* Nov. 24, 2015**

(54) **HEADLIGHT FOR A VEHICLE**

(71) Applicant: **Kubota Corporation**, Osaka, Osaka (JP)

(72) Inventor: **Wataru Sasaki**, Sakai (JP)

(73) Assignee: **KUBOTA CORPORATION**, Osaka (JP)

(\*\*) Term: **14 Years**

(21) Appl. No.: **29/474,462**

(22) Filed: **Sep. 26, 2014**

(30) **Foreign Application Priority Data**

Jun. 12, 2014 (JP) ..... 2014-012745

(51) **LOC (10) Cl.** ..... **26-06**

(52) **U.S. Cl.**  
USPC ..... **D26/28**

(58) **Field of Classification Search**  
USPC ..... D26/28-36; 362/459-468, 475-478,  
362/485-487

CPC ..... F21S 48/00; F21S 48/10; F21S 48/115;  
F21S 48/225; F21S 48/1233; F21S 48/1266;  
F21S 48/1388; F21S 48/2268; F21V 21/04  
See application file for complete search history.

(56) **References Cited**

**U.S. PATENT DOCUMENTS**

D528,681 S \* 9/2006 Nakahara ..... D26/28  
D528,685 S \* 9/2006 Yoshida ..... D26/28

D544,114 S \* 6/2007 Ohta ..... D26/28  
D544,614 S \* 6/2007 Markefka ..... D26/28  
D549,857 S \* 8/2007 Lin ..... D26/28  
D561,358 S \* 2/2008 Tachibana ..... D26/28

\* cited by examiner

*Primary Examiner* — Marcus Jackson

(74) *Attorney, Agent, or Firm* — Masuvalley & Partners

(57) **CLAIM**

The ornamental design for a headlight for a vehicle, as shown and described.

**DESCRIPTION**

FIG. 1 is a perspective view of the headlight for a vehicle according to the invention;

FIG. 2 is a front elevation view of the headlight for a vehicle of FIG. 1;

FIG. 3 is a rear elevation view of the headlight for a vehicle of FIG. 1;

FIG. 4 is a left side elevation view of the headlight for a vehicle of FIG. 1;

FIG. 5 is a right side elevation view of headlight for a vehicle of FIG. 1;

FIG. 6 is a top plan view of the headlight for a vehicle of FIG. 1; and,

FIG. 7 is a bottom plan view of the headlight for a vehicle of FIG. 1.

The line shading in parts of the drawings is included for the purpose of illustrating use and environment and forms no part of the claimed design.

**1 Claim, 7 Drawing Sheets**

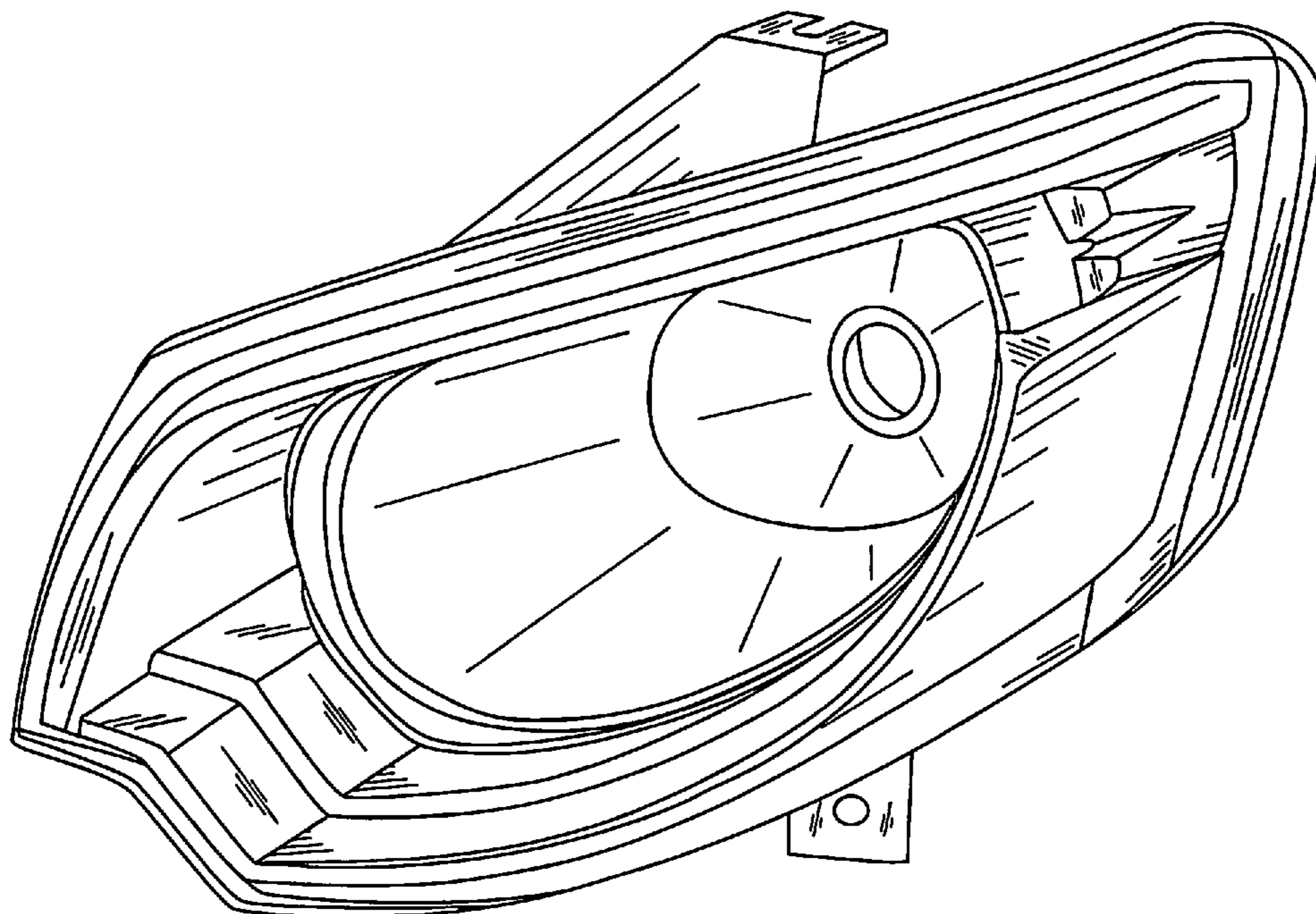


FIG. 1

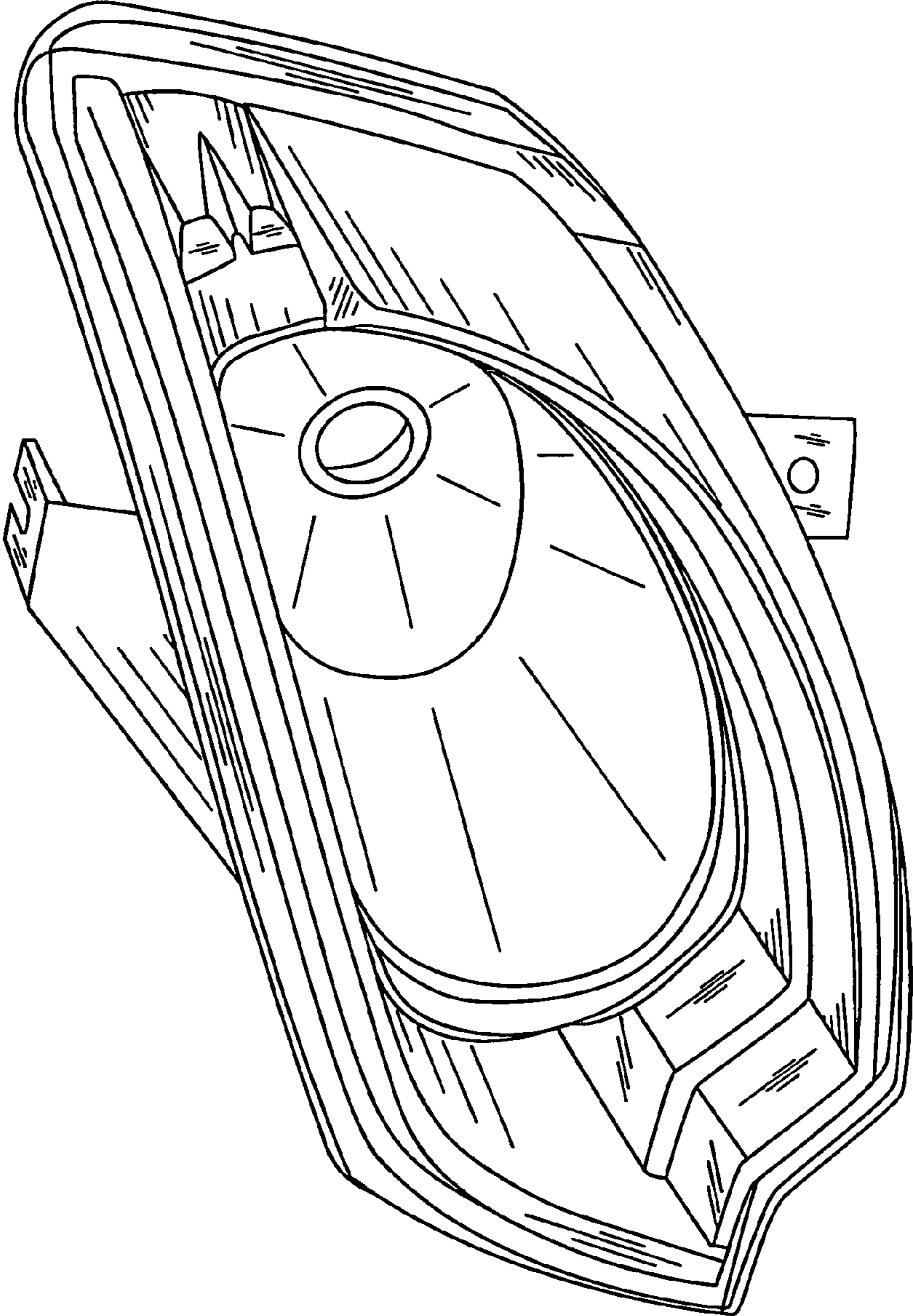


FIG. 2

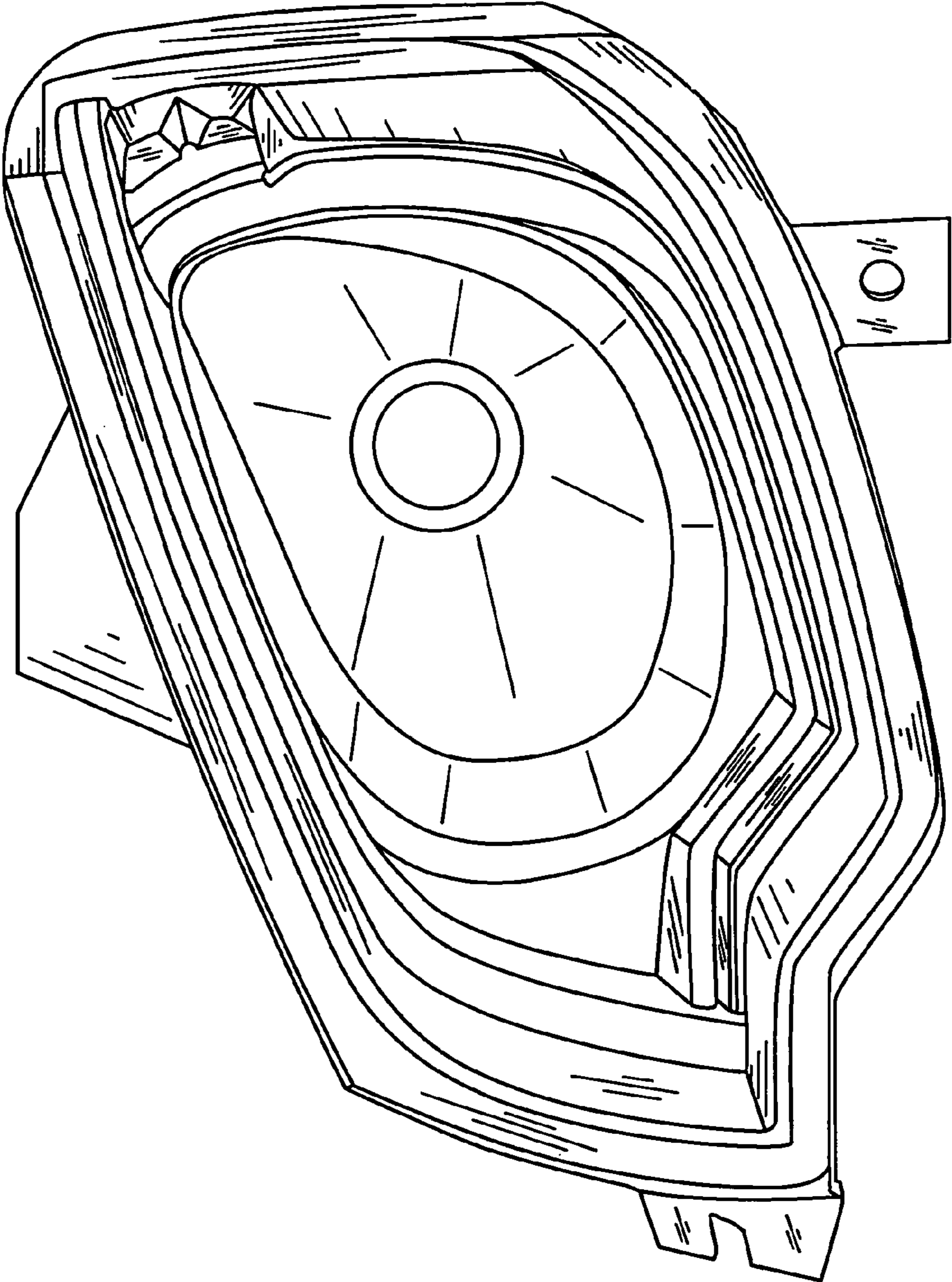


FIG. 3

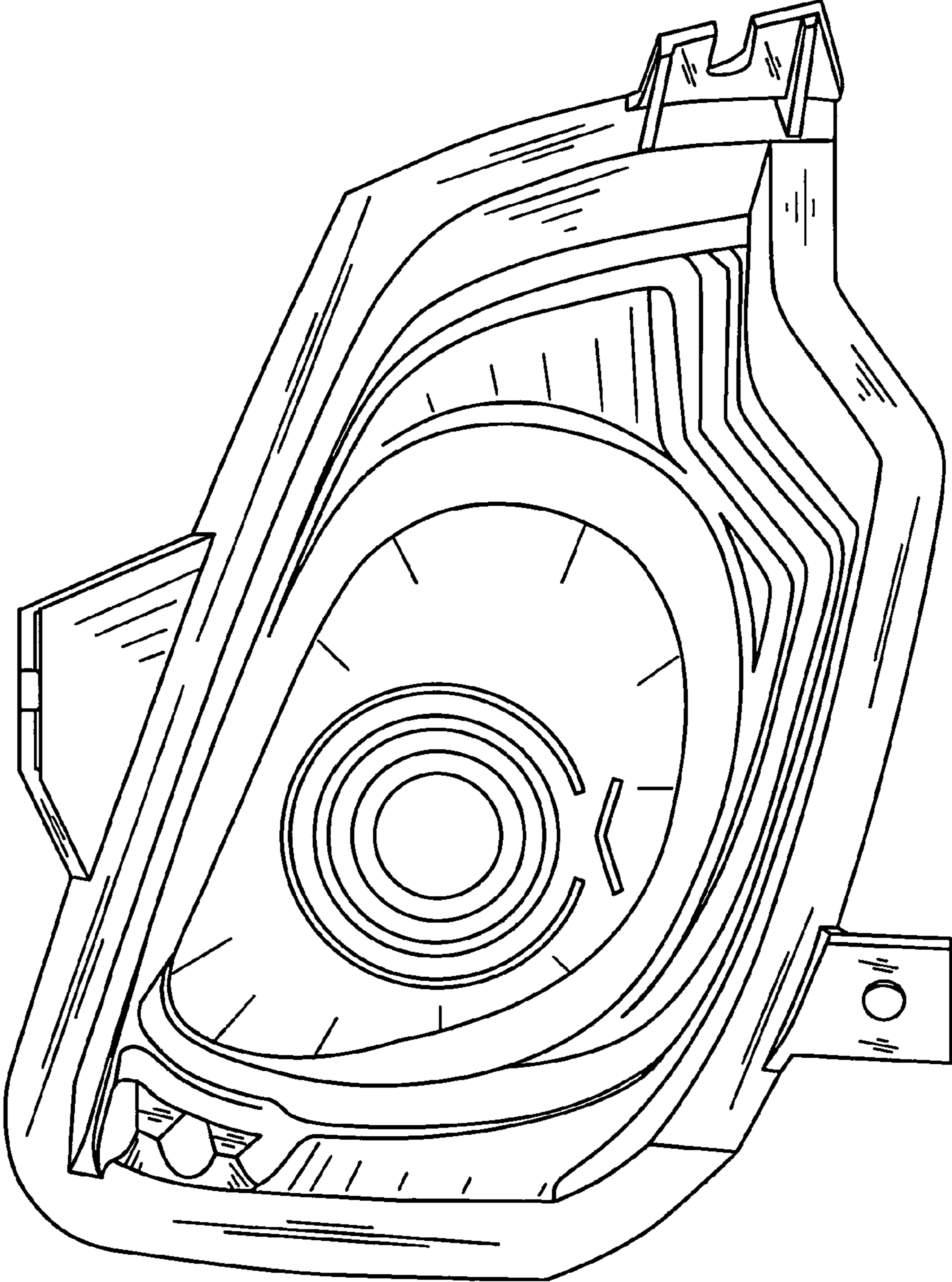


FIG. 4

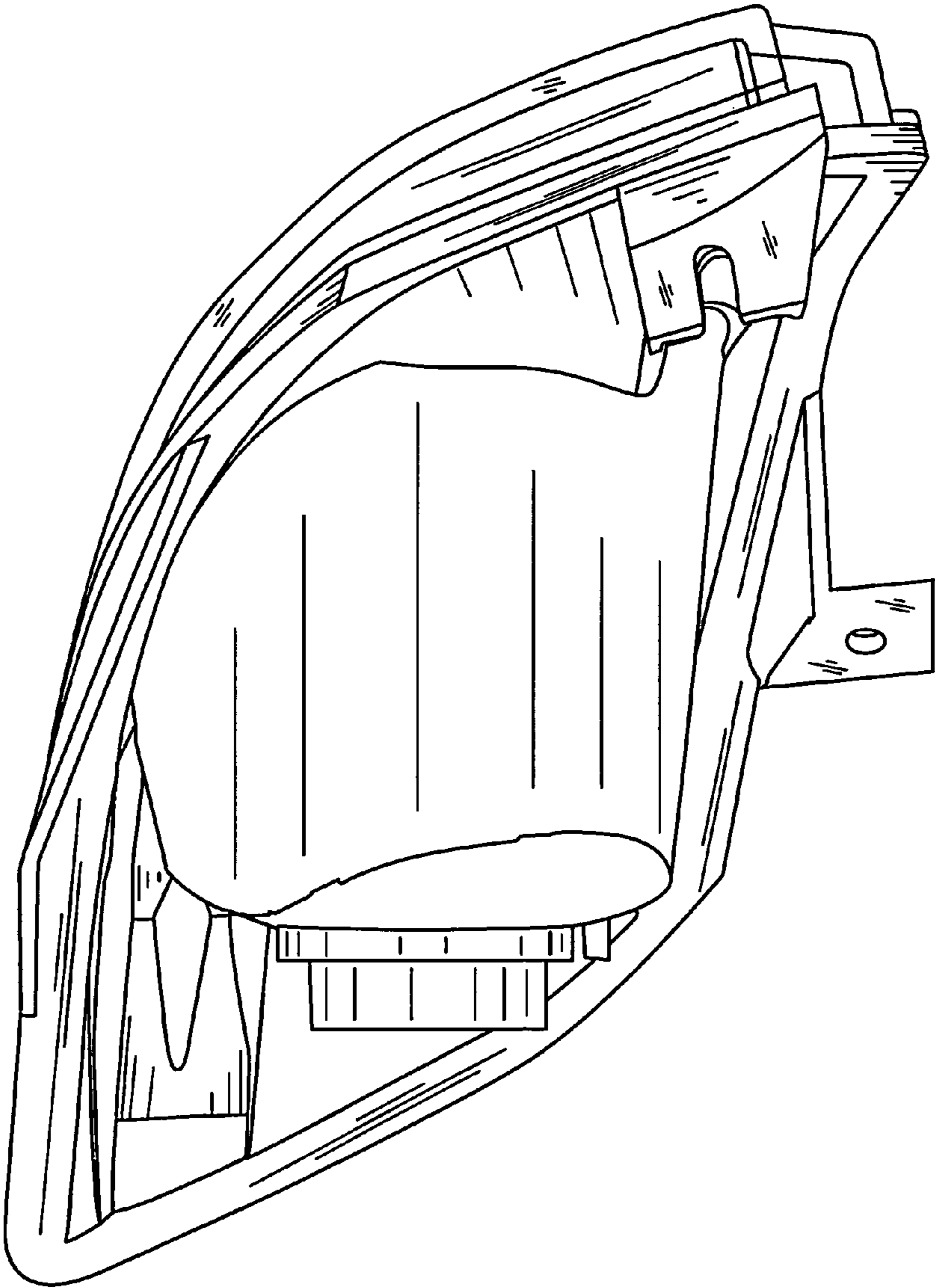


FIG. 5

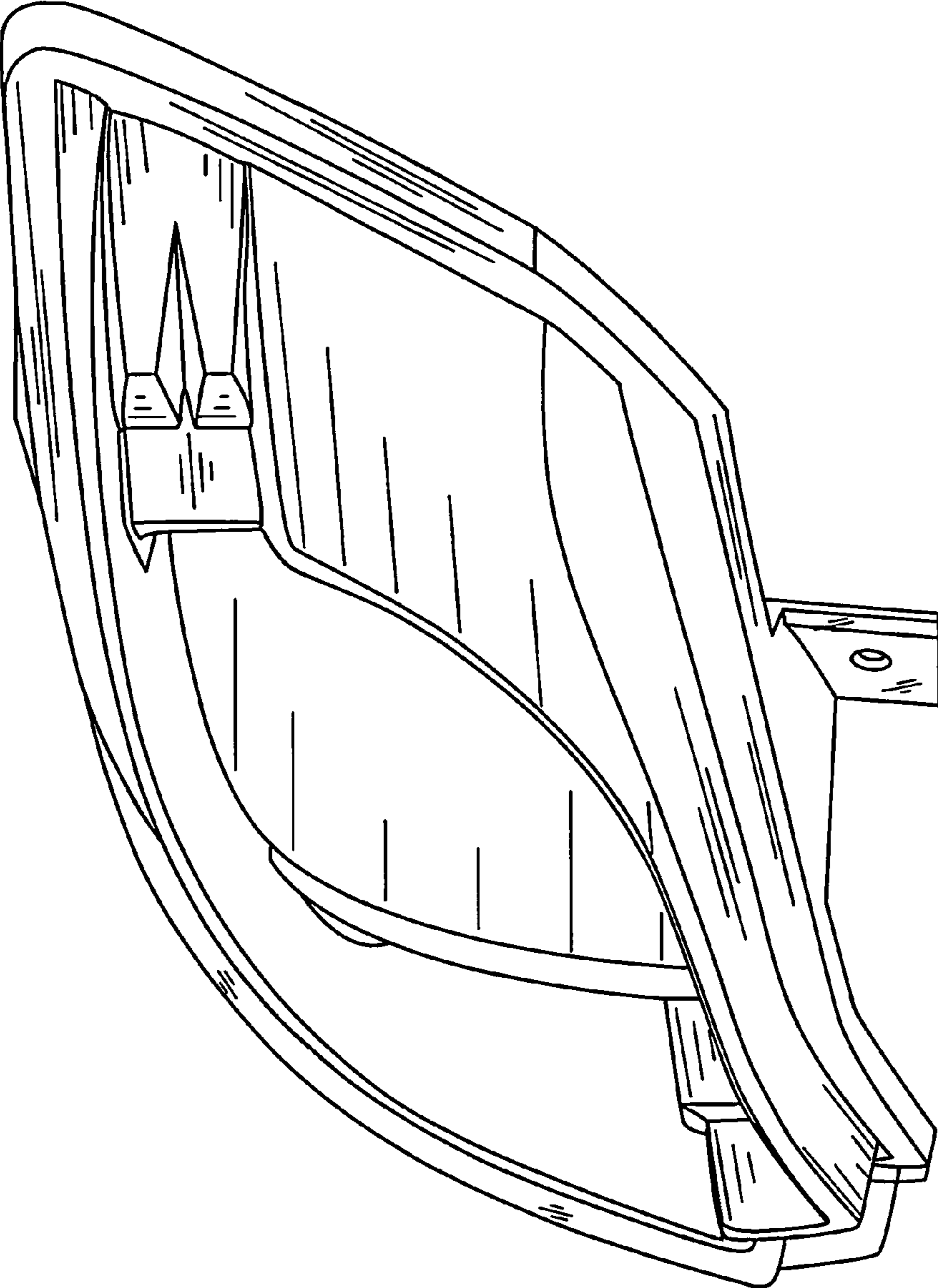


FIG. 6

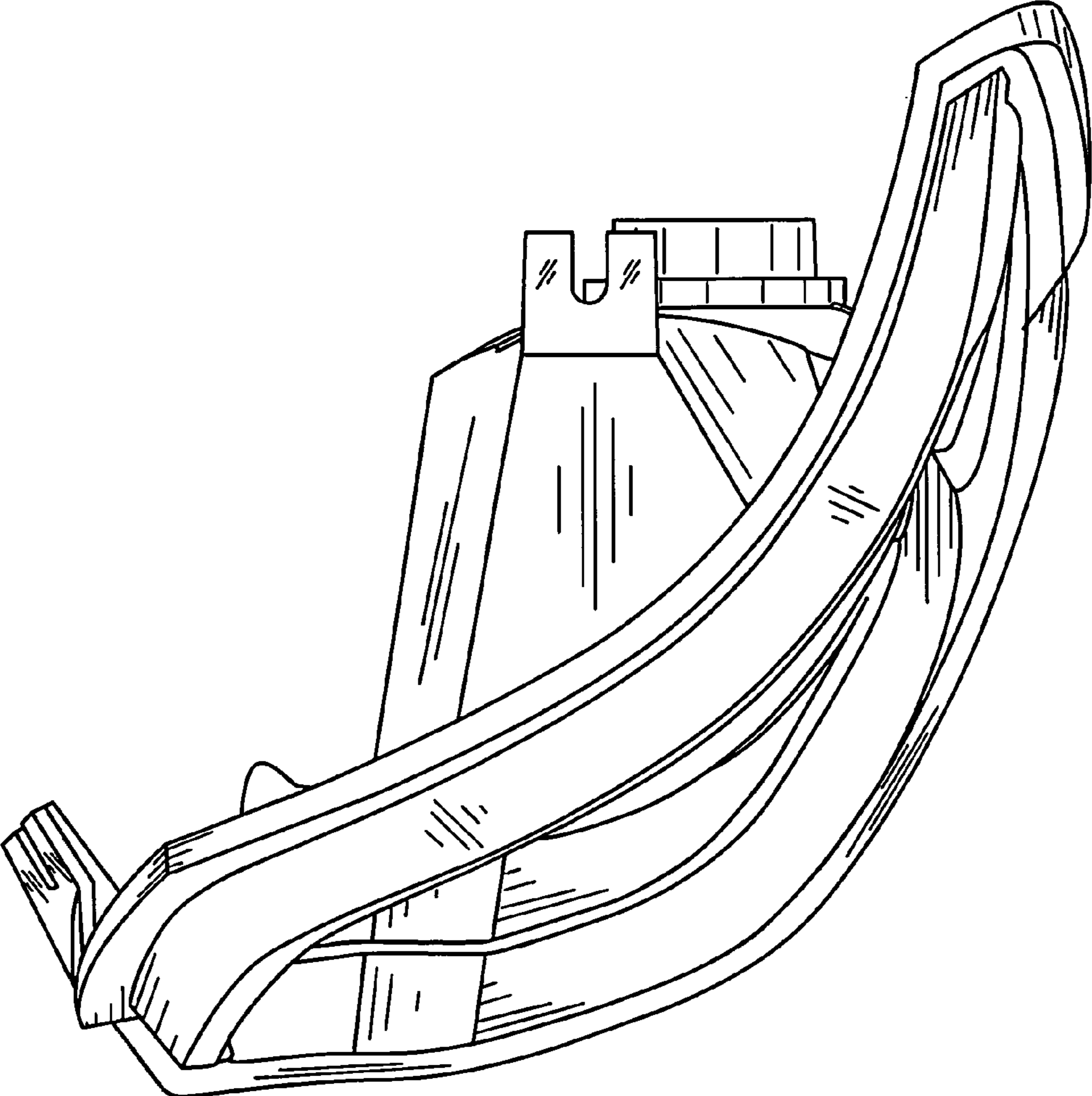


FIG. 7

