



US00D744129S

(12) **United States Design Patent**  
**Futschik et al.**

(10) **Patent No.:** **US D744,129 S**

(45) **Date of Patent:** **\*\* Nov. 24, 2015**

(54) **HEADLIGHT FOR A VEHICLE**

(56) **References Cited**

(71) Applicant: **Daimler AG**, Stuttgart (DE)

U.S. PATENT DOCUMENTS

(72) Inventors: **Hans-Dieter Futschik**, Gechingen (DE);  
**Stefan Handt**, Stuttgart (DE); **Frank Pfisterer**, Weil der Stadt (DE); **Gorden Wagener**, Gaeufelden (DE)

|              |        |                      |        |
|--------------|--------|----------------------|--------|
| D538,956 S * | 3/2007 | Ishii .....          | D26/28 |
| D679,844 S * | 4/2013 | Frenzel et al. ....  | D26/28 |
| D722,188 S * | 2/2015 | Futschik et al. .... | D26/28 |
| D728,133 S * | 4/2015 | Bieling et al. ....  | D26/28 |
| D728,134 S * | 4/2015 | Bieling et al. ....  | D26/28 |

\* cited by examiner

(73) Assignee: **Daimler AG**, Stuttgart (DE)

*Primary Examiner* — Wan Laymon

(\*\*) Term: **14 Years**

(74) *Attorney, Agent, or Firm* — Crowell & Moring LLP

(21) Appl. No.: **29/466,723**

(57) **CLAIM**

The ornamental design for a headlight for a vehicle, as shown and described.

(22) Filed: **Sep. 11, 2013**

**DESCRIPTION**

(30) **Foreign Application Priority Data**

Mar. 12, 2013 (DE) ..... 40 2013 001 159

This application contains subject matter related to the following co-pending U.S. design patent application:

Application Ser. No. 29/455,966, filed May 28, 2013 and entitled "Vehicle, Toy, and/or Replicas Thereof?"

FIG. 1 is a right perspective view of a first embodiment of a headlight for a vehicle according to the design;

FIG. 2 is a front view thereof;

FIG. 3 is a right side view thereof; and

FIG. 4 is a top view thereof.

FIG. 5 is a left perspective view of a second embodiment of the headlight for a vehicle according to the design;

FIG. 6 is a front view thereof;

FIG. 7 is a left side view thereof; and,

FIG. 8 is a top view thereof.

The broken lines shown in the drawings illustrate portions of the headlight for a vehicle that form no part of the claimed design.

(51) **LOC (10) Cl.** ..... **26-06**

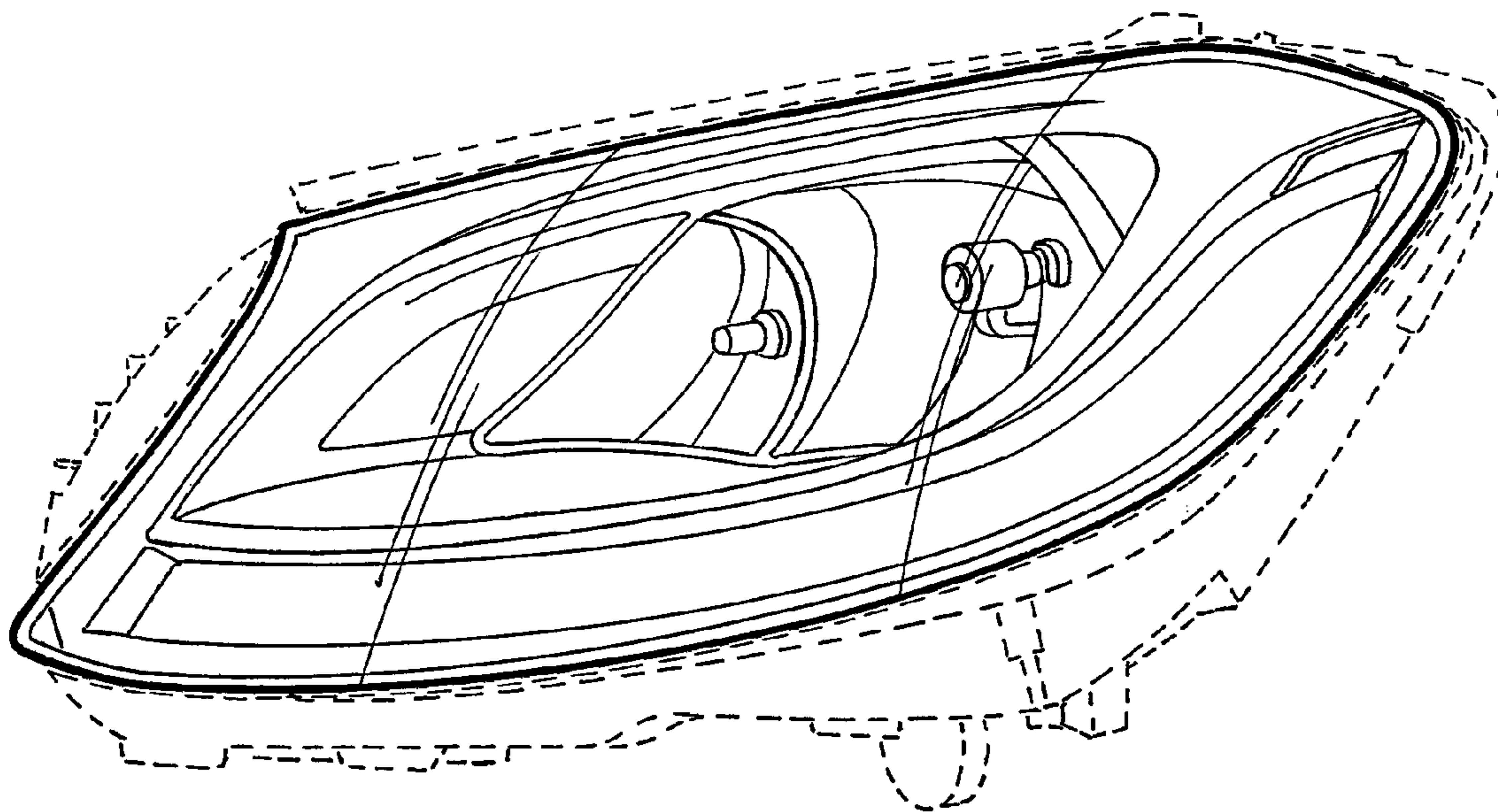
(52) **U.S. Cl.**  
USPC ..... **D26/28**

(58) **Field of Classification Search**  
USPC ..... D26/28-36; 362/459-468, 475-478,  
362/485-487

CPC ..... B62J 6/02; B62J 6/04; B60Q 1/2607;  
B60Q 1/04; B60Q 1/0408

See application file for complete search history.

**1 Claim, 4 Drawing Sheets**



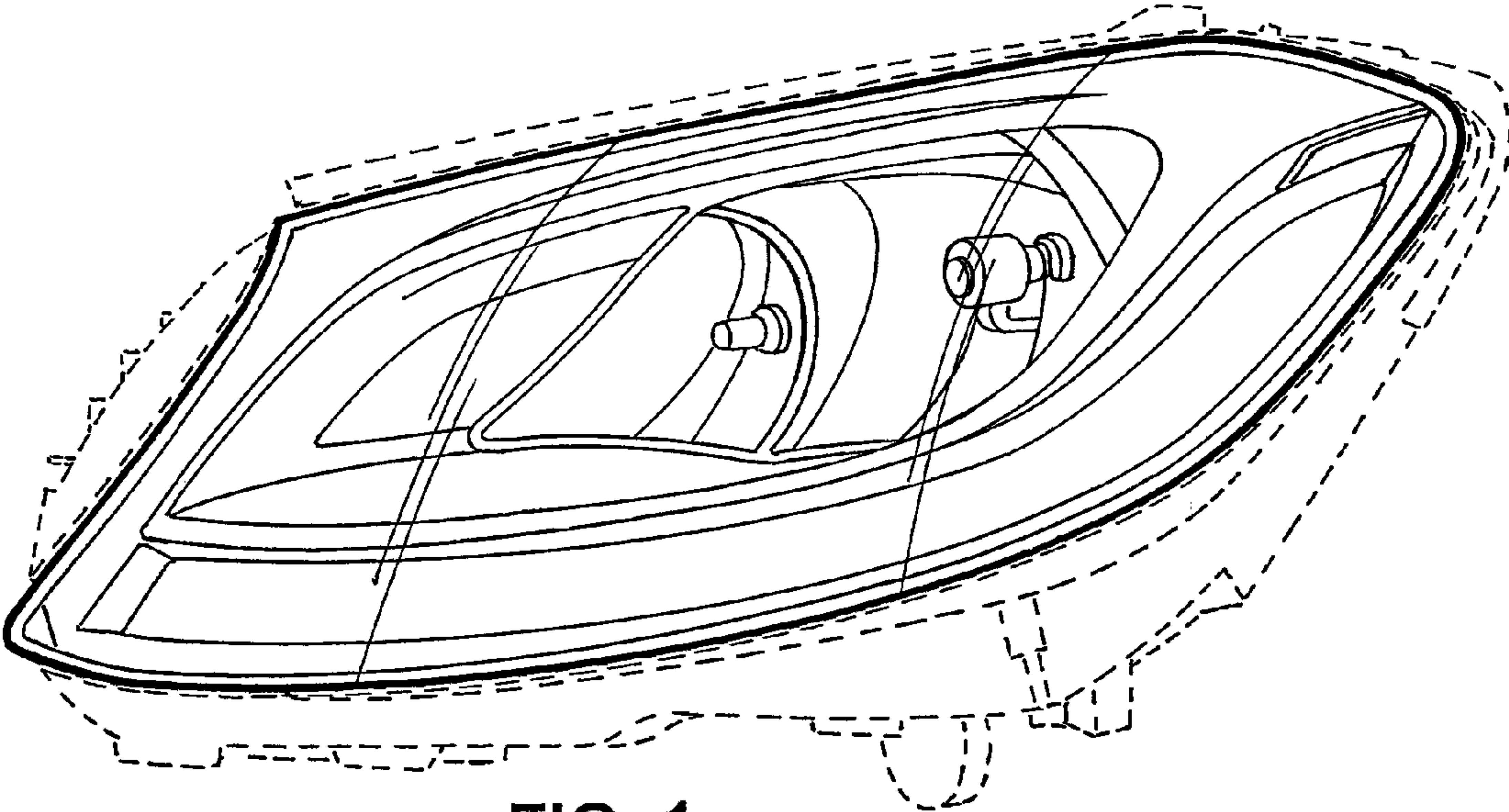


FIG. 1

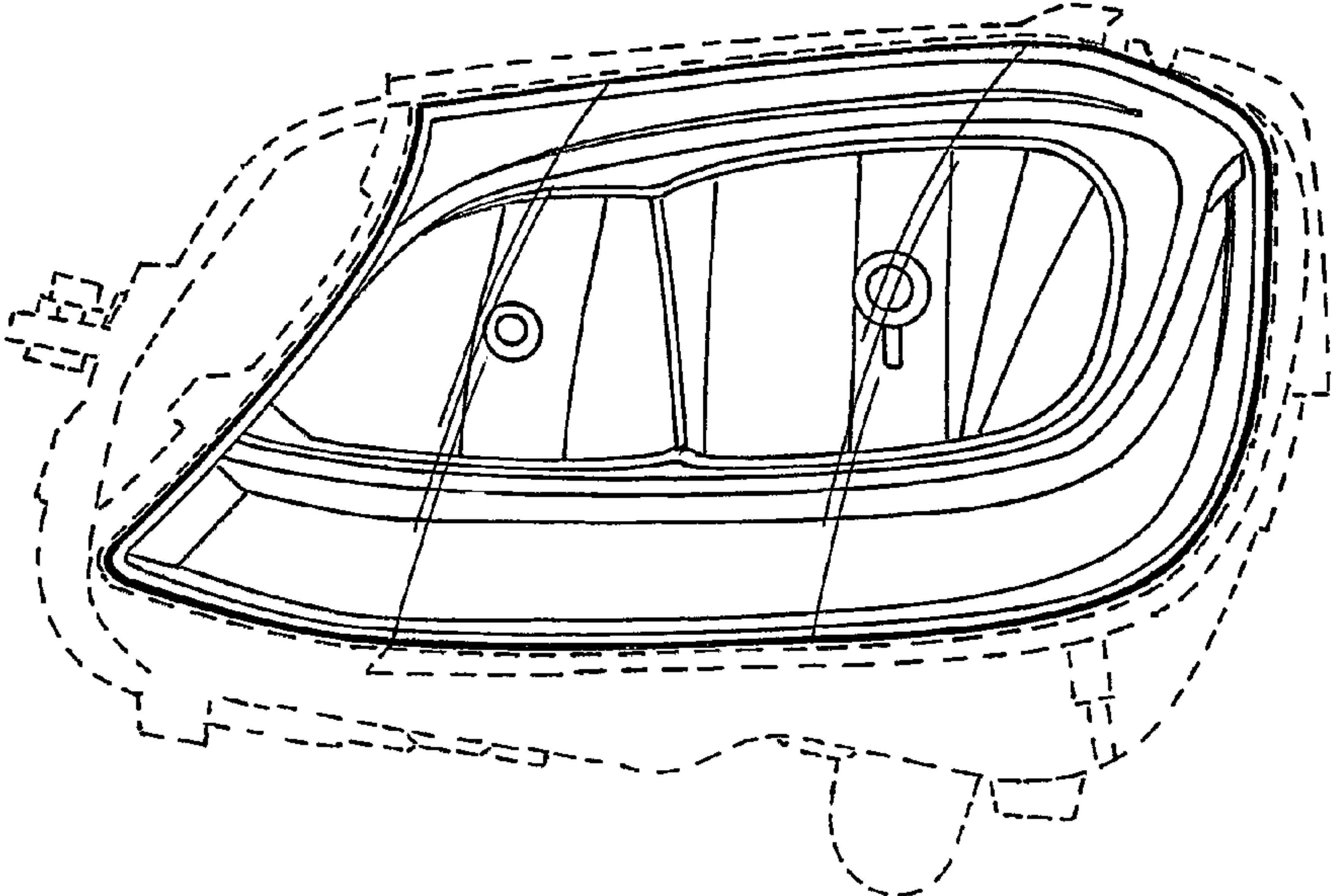
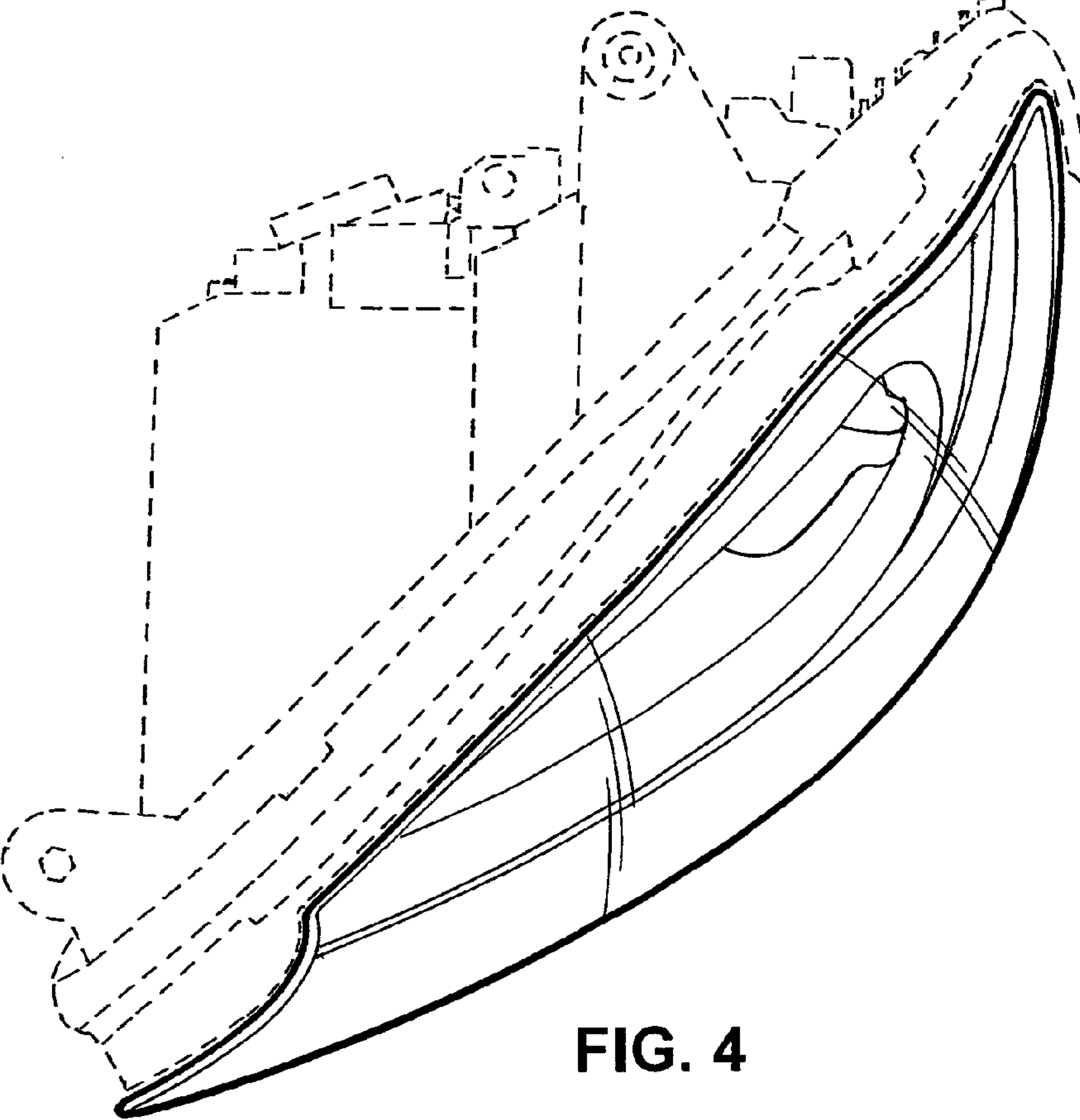
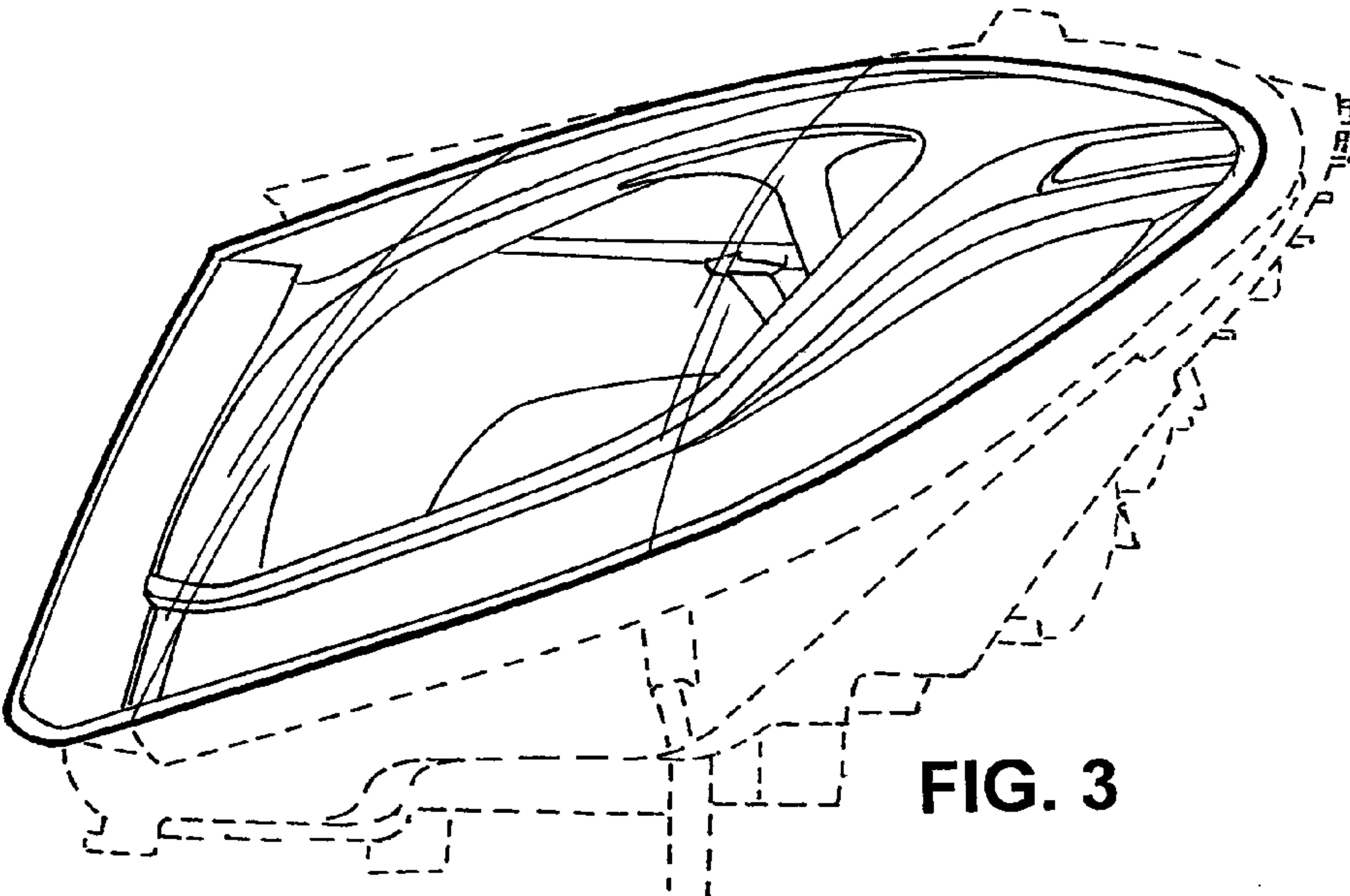


FIG. 2





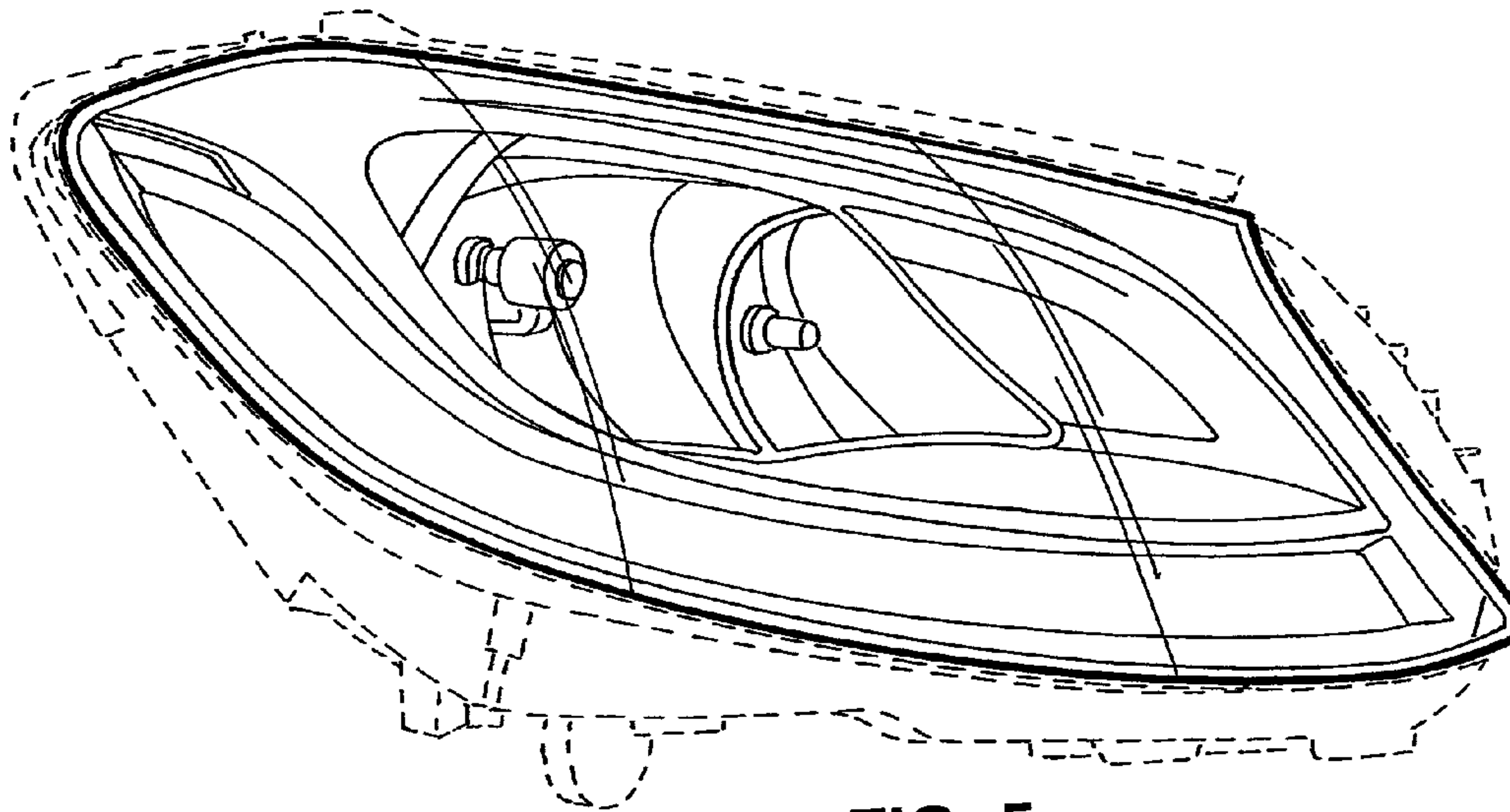


FIG. 5

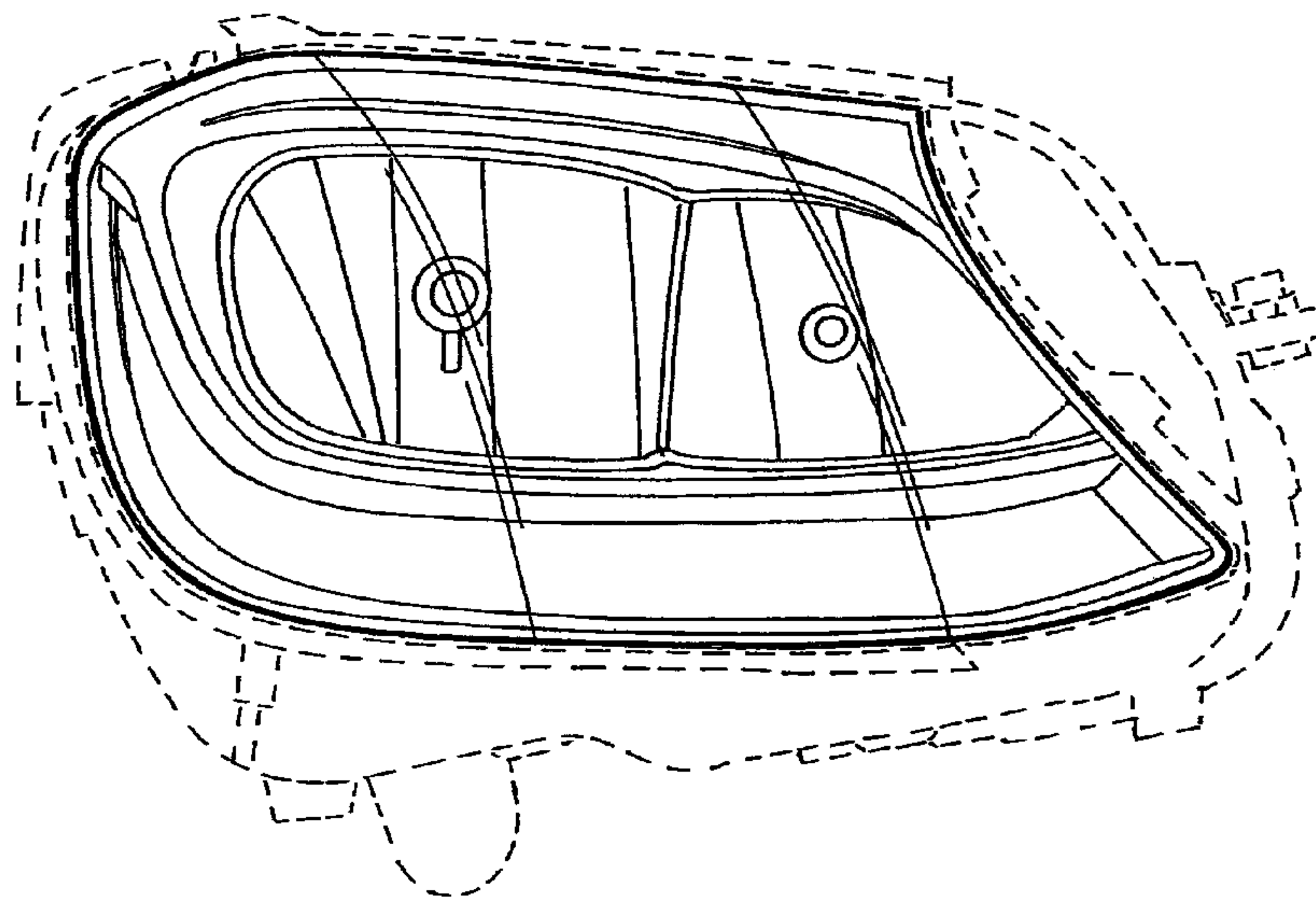


FIG. 6

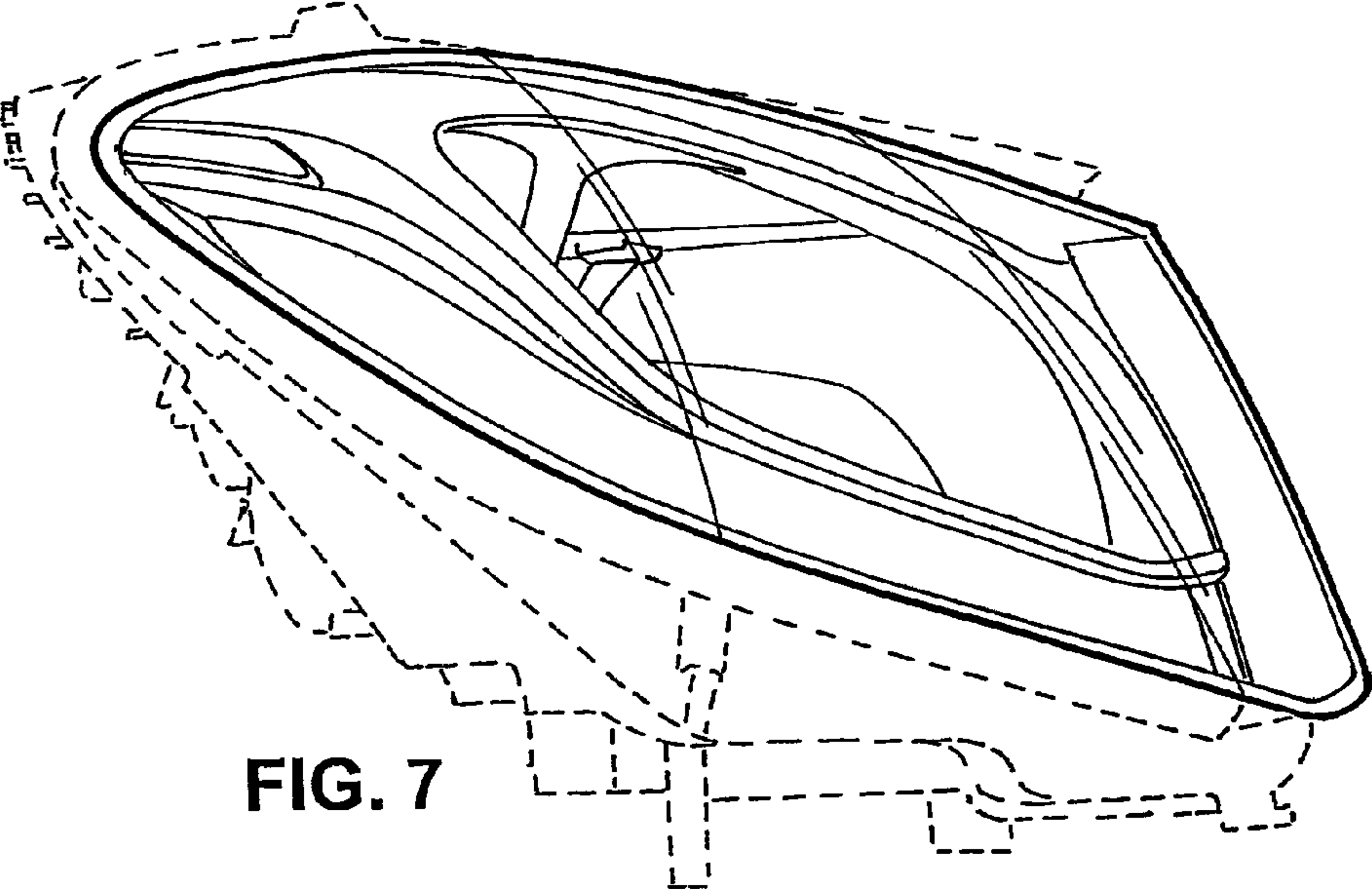


FIG. 7

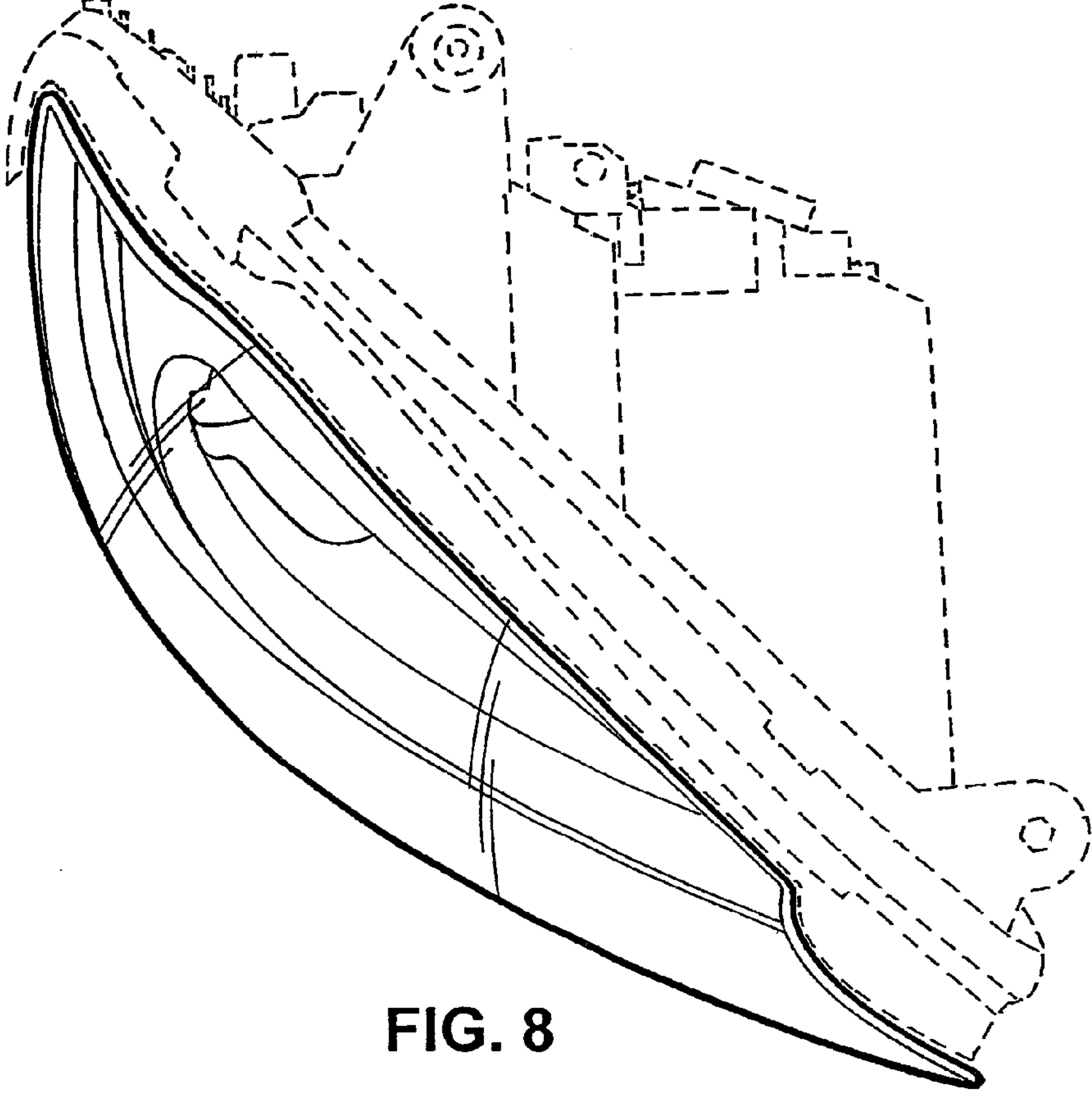


FIG. 8