



US00D744127S

(12) **United States Design Patent**
Glachman

(10) **Patent No.:** **US D744,127 S**

(45) **Date of Patent:** **** Nov. 24, 2015**

(54) **END CAP FOR LED REPLACEMENT BULB**

D610,724 S * 2/2010 Chiang D26/3
D611,172 S * 3/2010 Lin D26/3
D636,504 S * 4/2011 Duster D26/3

(71) Applicant: **Green Lumens LLC**, Boca Raton, FL (US)

* cited by examiner

(72) Inventor: **Neil Glachman**, Boca Raton, FL (US)

Primary Examiner — Marcus Jackson

(73) Assignee: **GREEN LUMENS LLC**, Boca Raton, FL (US)

(74) *Attorney, Agent, or Firm* — Levenfeld Pearlstein, LLC

(**) Term: **14 Years**

(57) **CLAIM**

The ornamental design for an end cap for LED replacement bulb, as shown and described.

(21) Appl. No.: **29/503,705**

(22) Filed: **Sep. 29, 2014**

DESCRIPTION

(51) **LOC (10) Cl.** **26-04**

(52) **U.S. Cl.**
USPC **D26/3**

(58) **Field of Classification Search**
USPC D26/1-4; 313/313, 315, 316, 317, 318,
313/493; 315/52, 53, 56, 57, 58
CPC H01J 5/48; H01J 5/50; H01J 19/54;
F21V 5/00
See application file for complete search history.

FIG. 1 is a top perspective view of an end cap for LED replacement bulb embodying my new design;
FIG. 2 is an end view thereof;
FIG. 3 is a top view thereof;
FIG. 4 is a side view thereof, the opposite side view being identical thereto;
FIG. 5 is a bottom view thereof;
FIG. 6 is an end view opposite FIG. 1, showing an interior of thereof, the interior being unadorned and forming no part of the claimed design; and,
FIG. 7 is an illustration showing two end caps on a LED replacement bulb for environmental purposes only, the LED replacement bulb forming no part of the claimed design.

(56) **References Cited**

U.S. PATENT DOCUMENTS

D584,429 S * 1/2009 Pei D26/3
D606,673 S * 12/2009 Kao D26/3

1 Claim, 3 Drawing Sheets

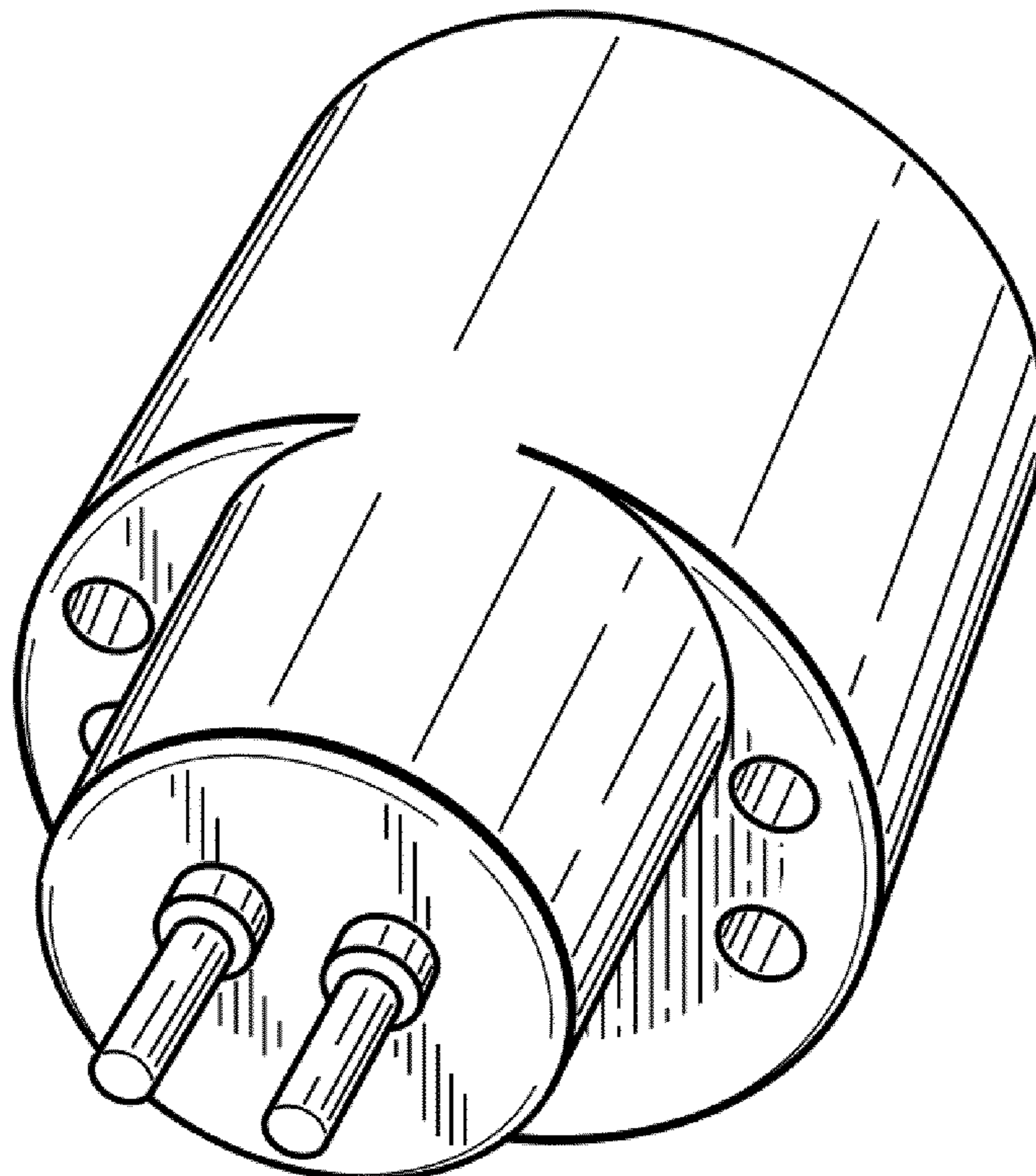


Fig. 1

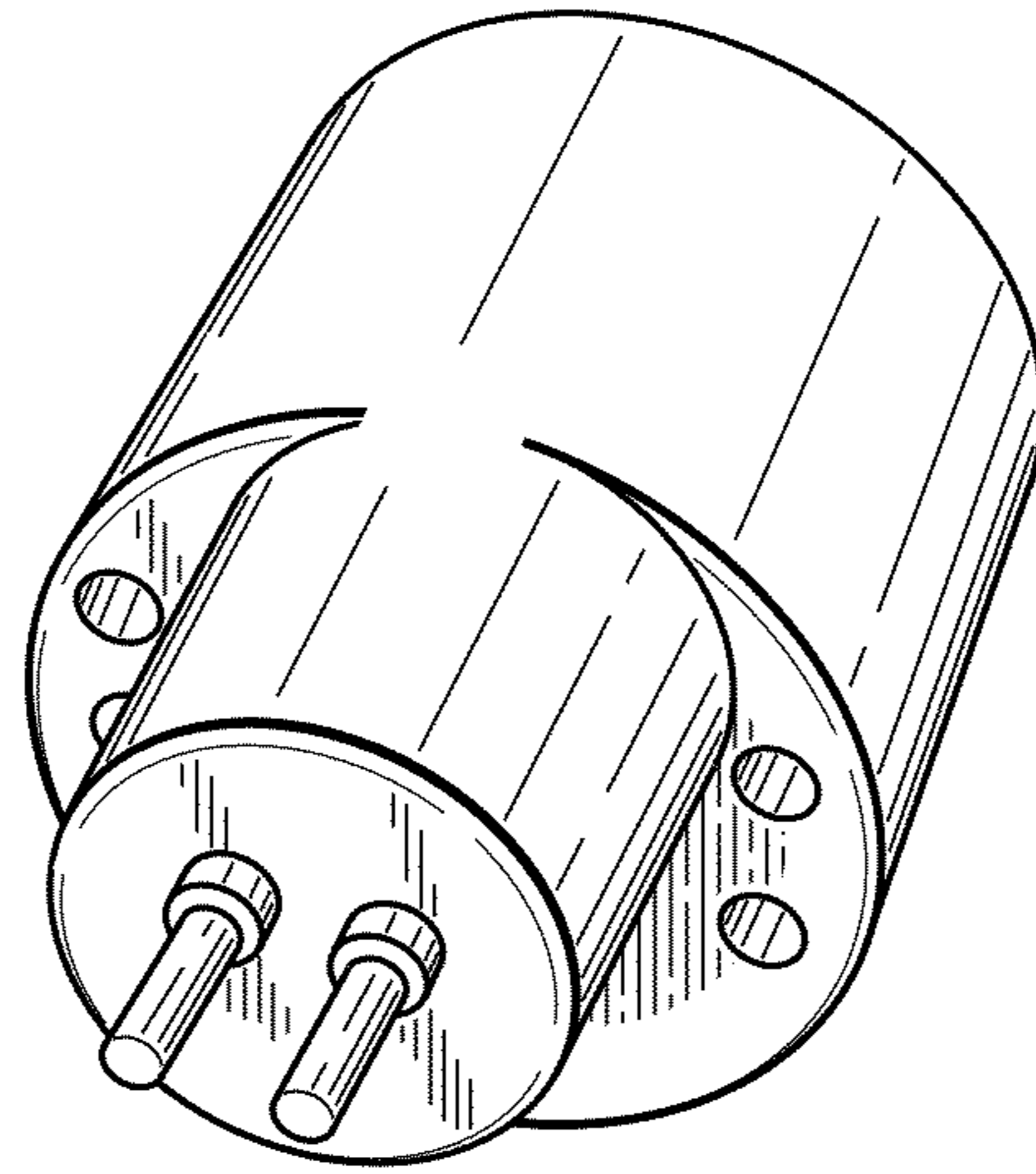


Fig. 2

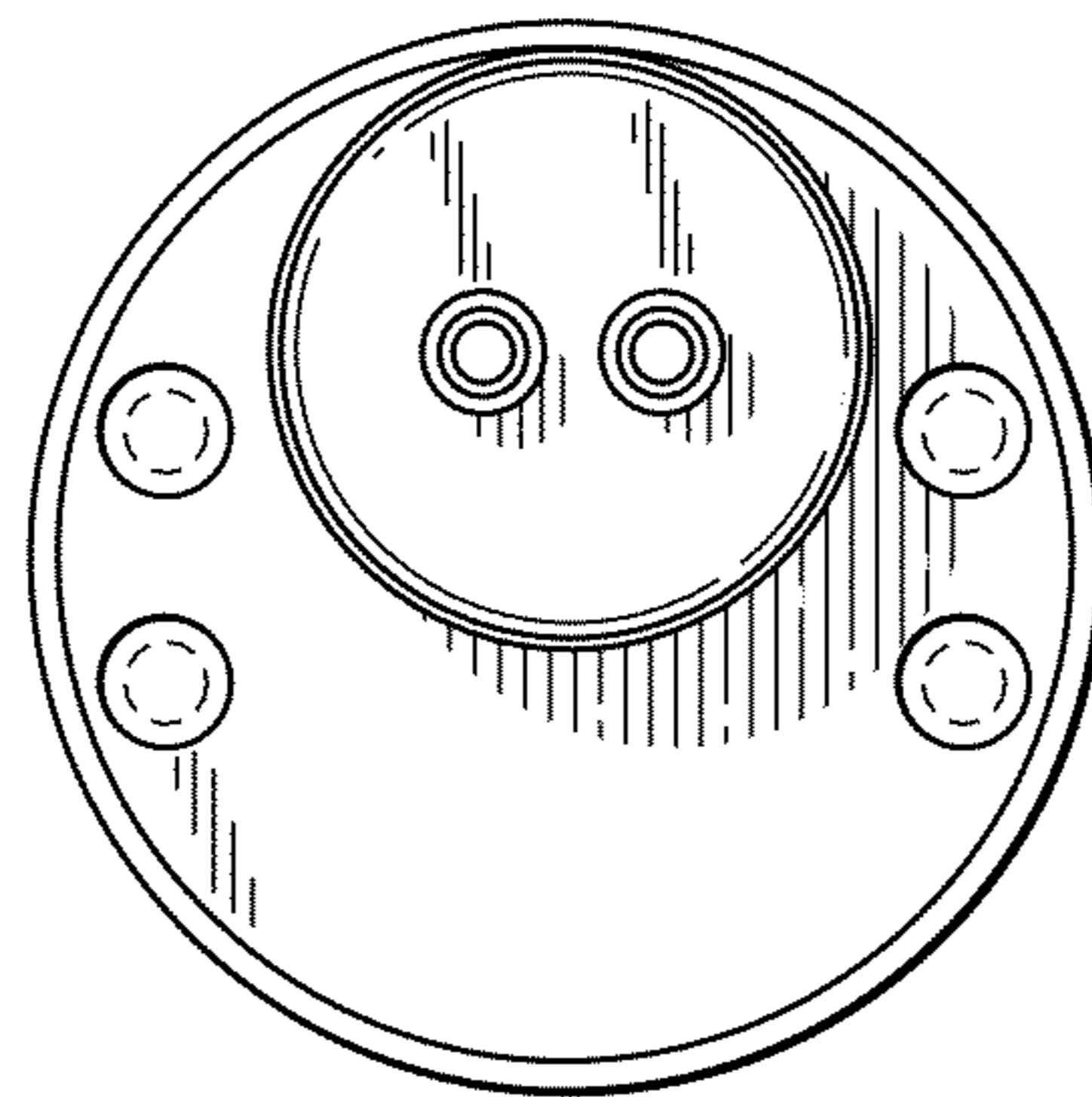


Fig. 3

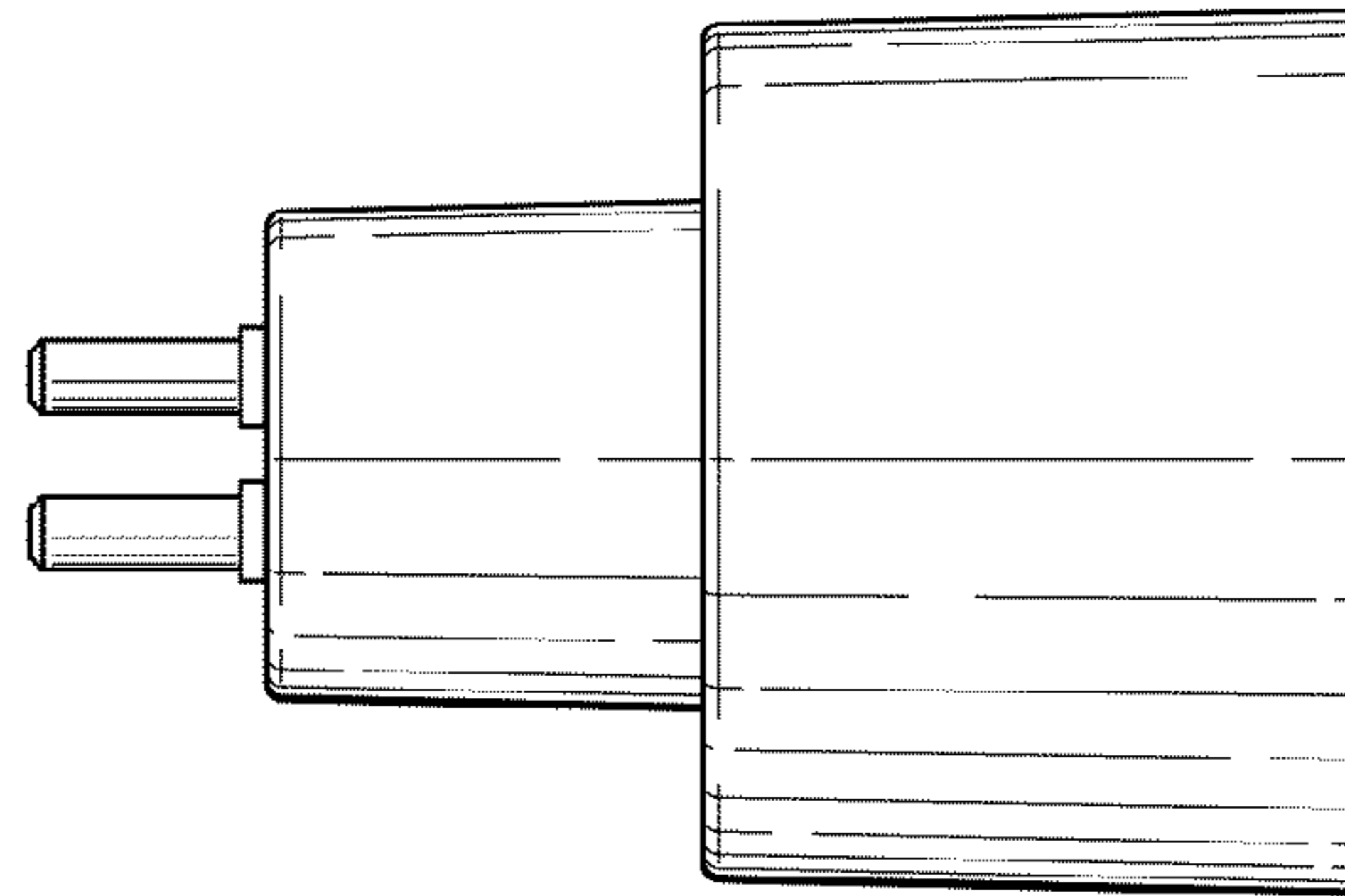


Fig. 4

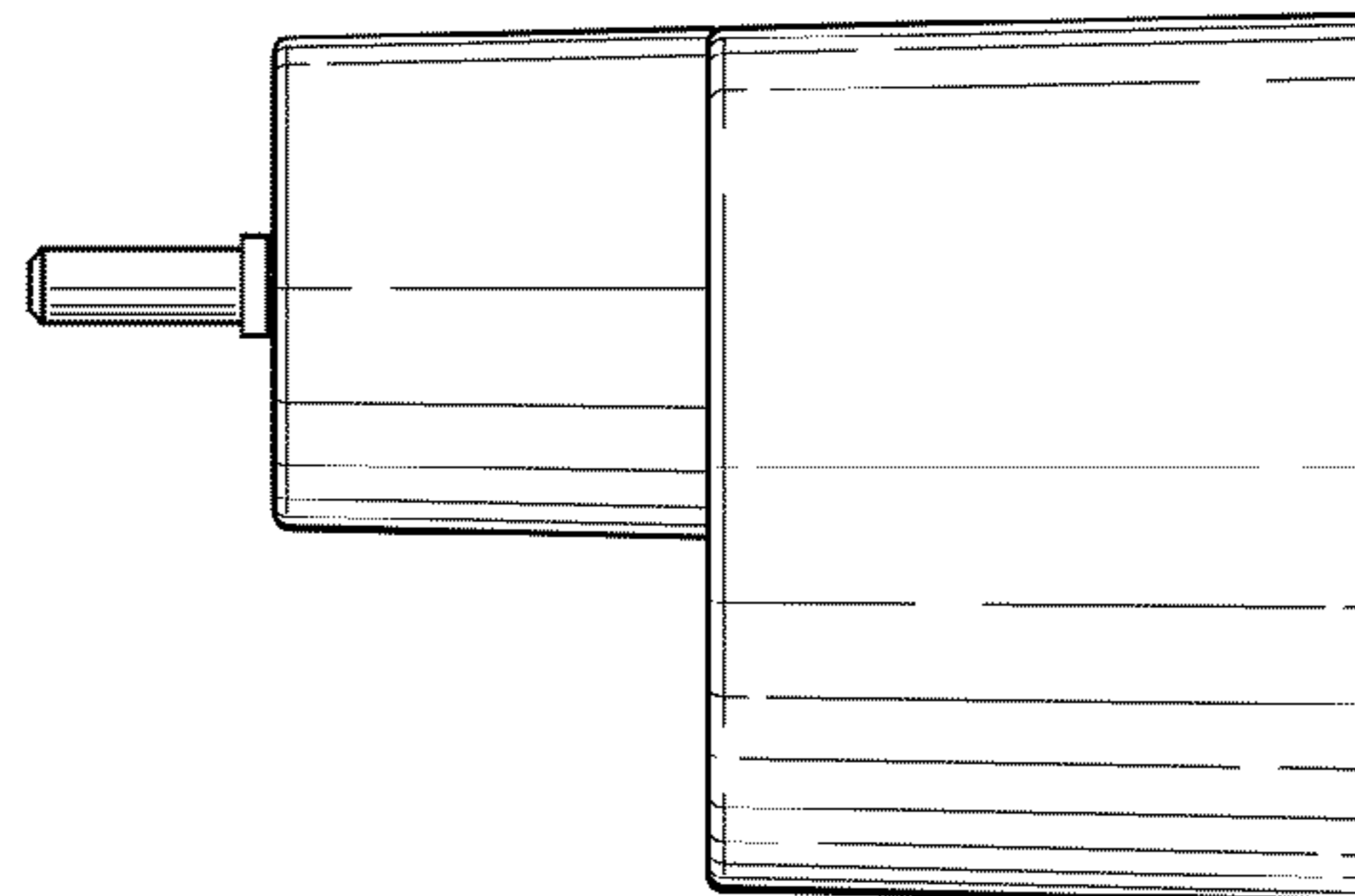


Fig. 5

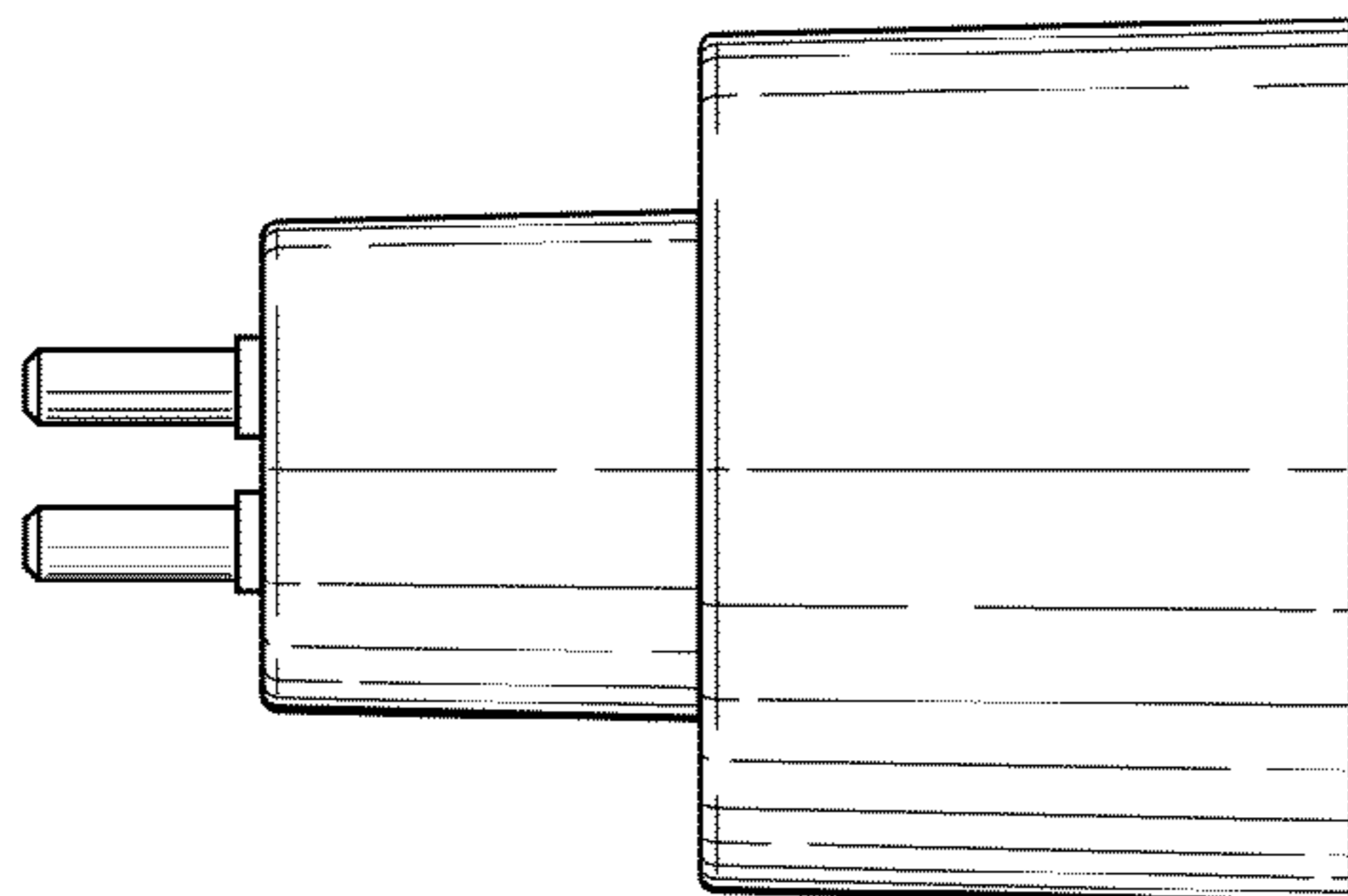


Fig. 6

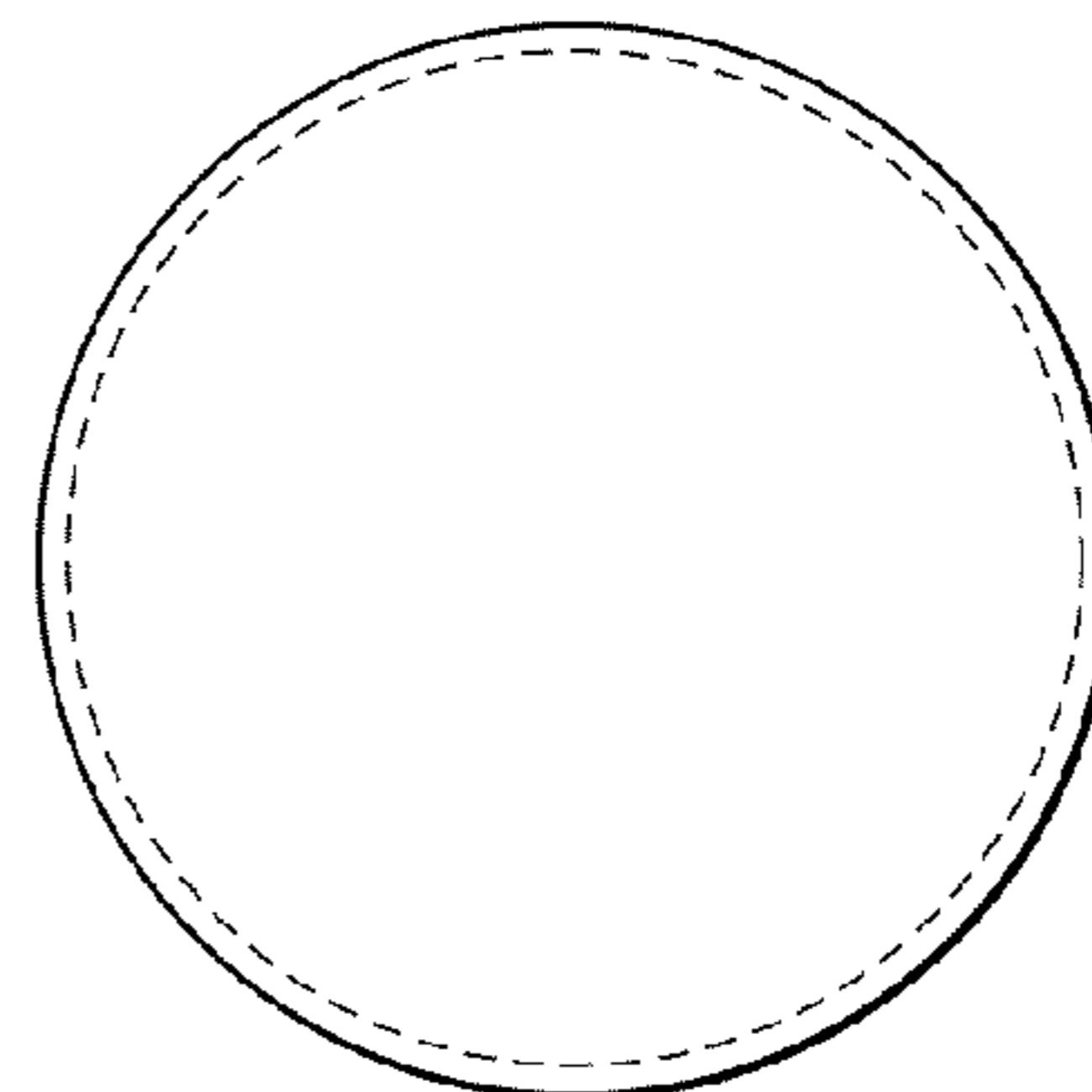


Fig. 7

