



US00D744123S

(12) **United States Design Patent**
Ooshima et al.

(10) **Patent No.:** **US D744,123 S**

(45) **Date of Patent:** **** Nov. 24, 2015**

(54) **LED BULB**

Primary Examiner — Marcus Jackson

(71) Applicant: **mitsubishi chemical corporation**, Tokyo (JP)

(74) *Attorney, Agent, or Firm* — Oblon, McClelland, Maier & Neustadt, L.L.P.

(72) Inventors: **Hiroyuki Ooshima**, Tokyo (JP);
Keisuke Tajima, Tokyo (JP); **Shuuji Oonaka**, Tokyo (JP)

(57) **CLAIM**

The ornamental design for an LED bulb, as shown and described.

(73) Assignee: **mitsubishi chemical corporation**, Tokyo (JP)

(**) Term: **14 Years**

DESCRIPTION

(21) Appl. No.: **29/496,236**

(22) Filed: **Jul. 10, 2014**

(51) **LOC (10) Cl.** **26-04**

(52) **U.S. Cl.**
USPC **D26/2**

(58) **Field of Classification Search**
USPC D26/1-4; 313/313, 315, 316, 317, 318,
313/493; 315/52, 53, 56, 57, 58
See application file for complete search history.

(56) **References Cited**

U.S. PATENT DOCUMENTS

D497,439 S *	10/2004	Shaw et al.	D26/2
D516,229 S *	2/2006	Tang	D26/2
D527,119 S *	8/2006	Maxik et al.	D26/2
D532,532 S *	11/2006	Maxik	D26/2
D545,457 S *	6/2007	Chen	D26/2
D551,784 S *	9/2007	Krieglmeyer et al.	D26/2
D581,554 S *	11/2008	To et al.	D26/2
D629,927 S *	12/2010	Chen et al.	D26/2

FOREIGN PATENT DOCUMENTS

JP	D1254096	10/2005
JP	D1254404	10/2005
JP	D1254405	10/2005
JP	D1254406	10/2005

* cited by examiner

FIG. 1 is a perspective view of rear, bottom and left sides of an LED bulb according to a first embodiment showing our new design;

FIG. 2 is a front view thereof;

FIG. 3 is a rear view thereof;

FIG. 4 is a left side view thereof;

FIG. 5 is a right side view thereof;

FIG. 6 is a top view thereof;

FIG. 7 is a bottom view thereof; and

FIG. 8 is a partially enlarged view at square portion 8 in FIG. 7 thereof;

FIG. 9 is a perspective view of rear, bottom and left sides of an LED bulb according to a second embodiment showing our new design;

FIG. 10 is a front view thereof;

FIG. 11 is a rear view thereof;

FIG. 12 is a left side view thereof;

FIG. 13 is a right side view thereof;

FIG. 14 is a top view thereof;

FIG. 15 is a bottom view thereof;

FIG. 16 is a partially enlarged view at square portion 16 in FIG. 15 thereof; and,

FIG. 17 is an ended view at 17-17 in FIG. 16 thereof.

The broken lines shown are included for the purpose of illustrating the unclaimed portions of an LED bulb and form no part of the claimed design.

1 Claim, 17 Drawing Sheets

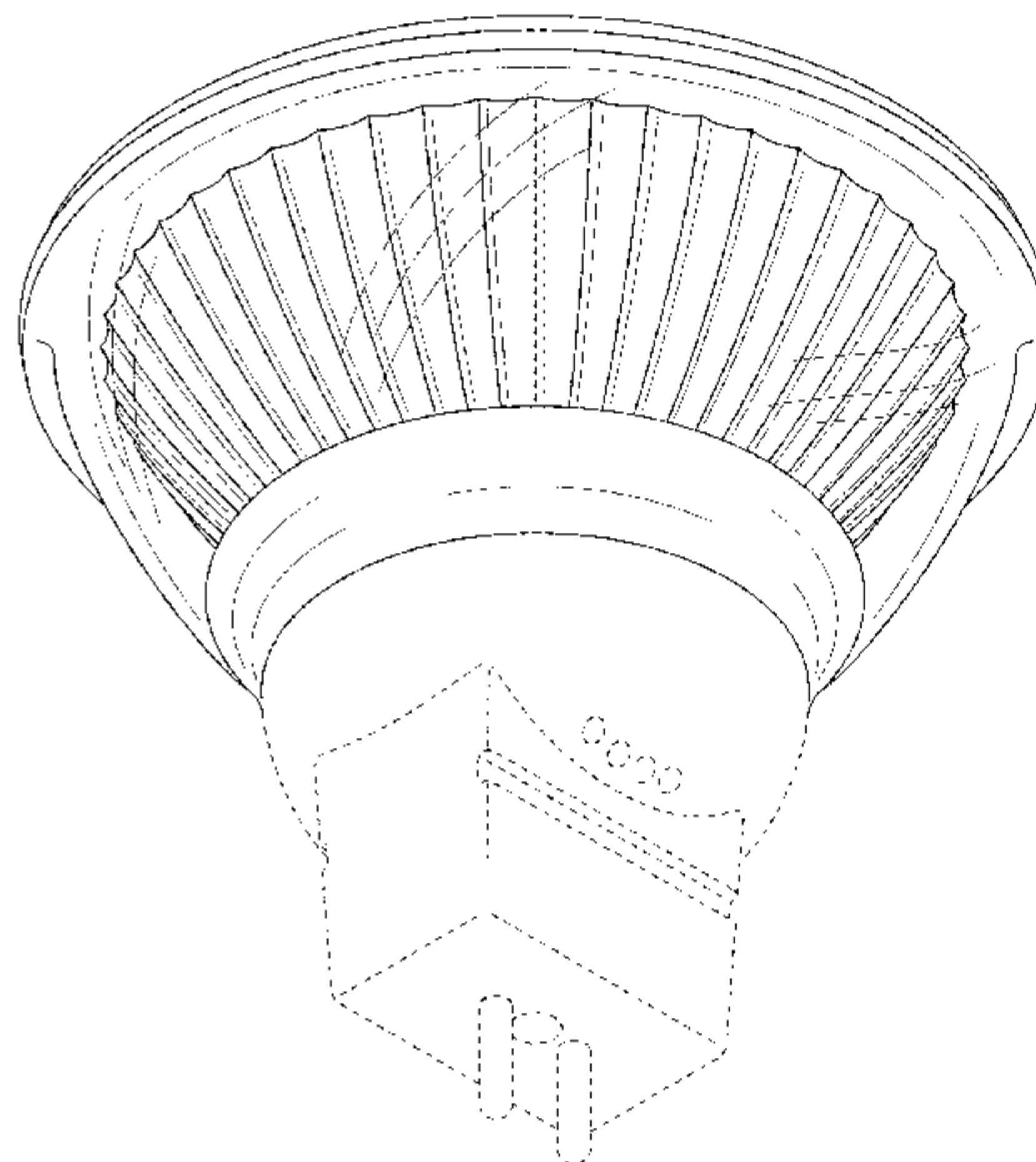


Fig. 1

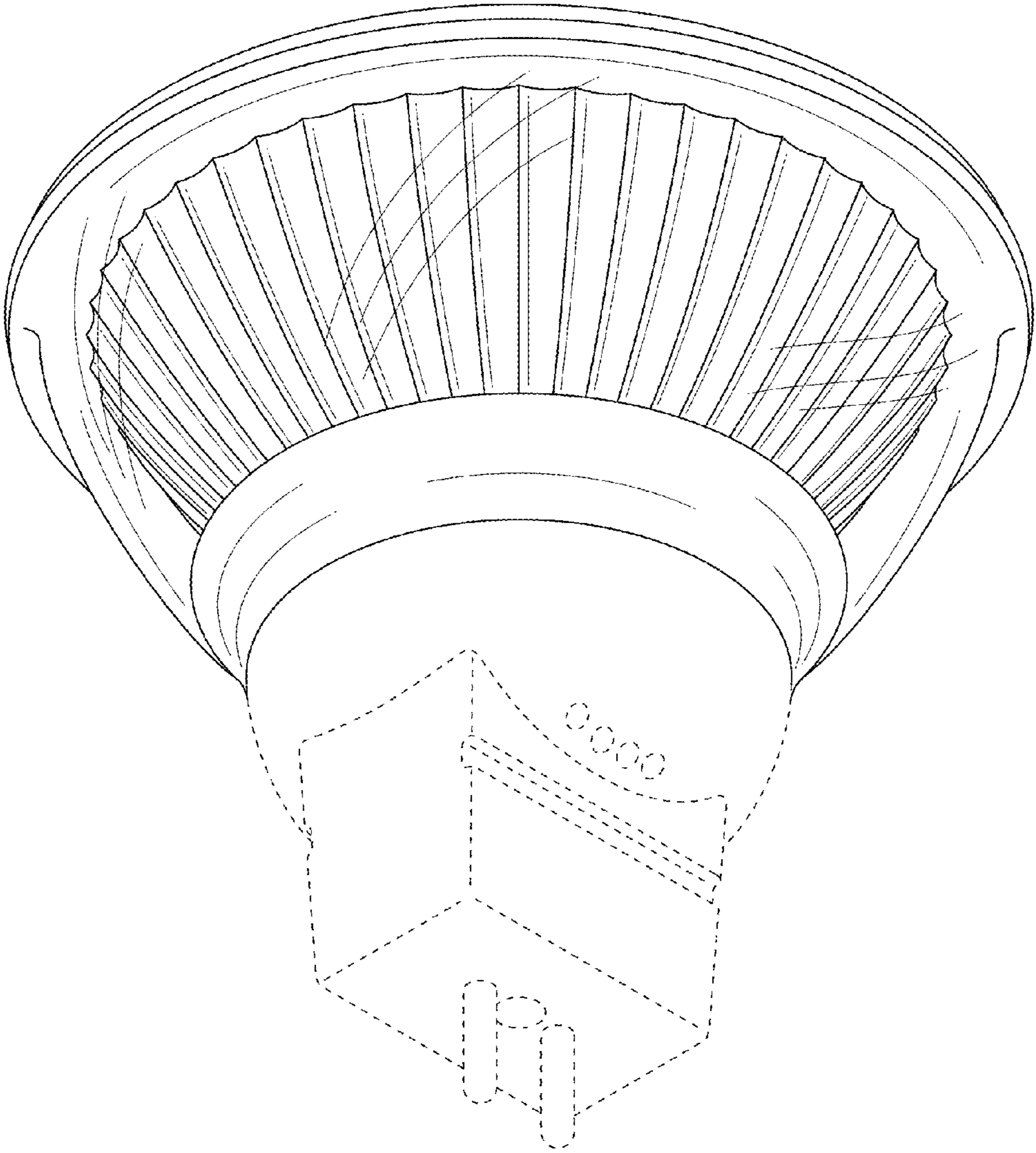


Fig. 2

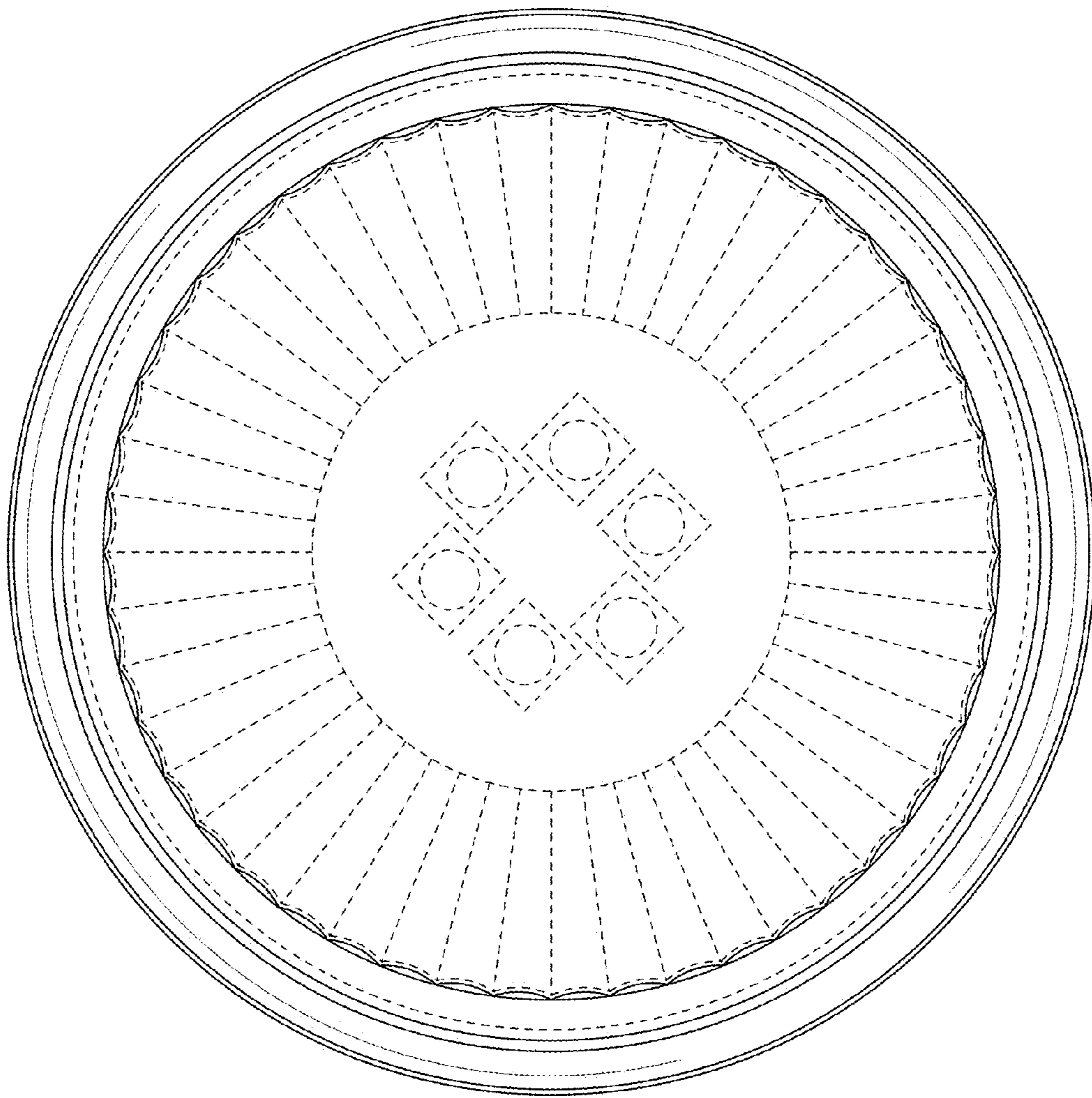


Fig. 3

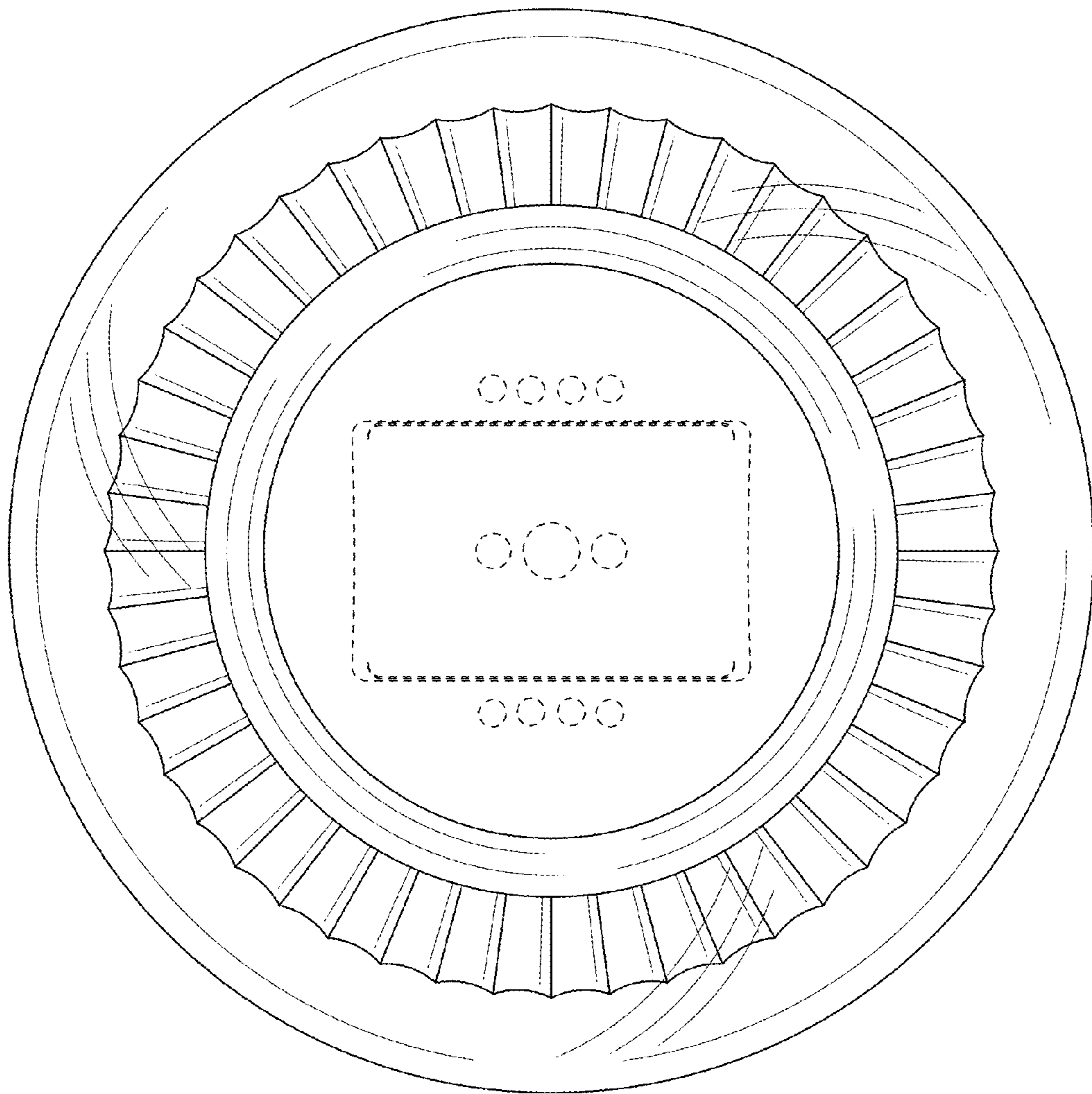


Fig. 4

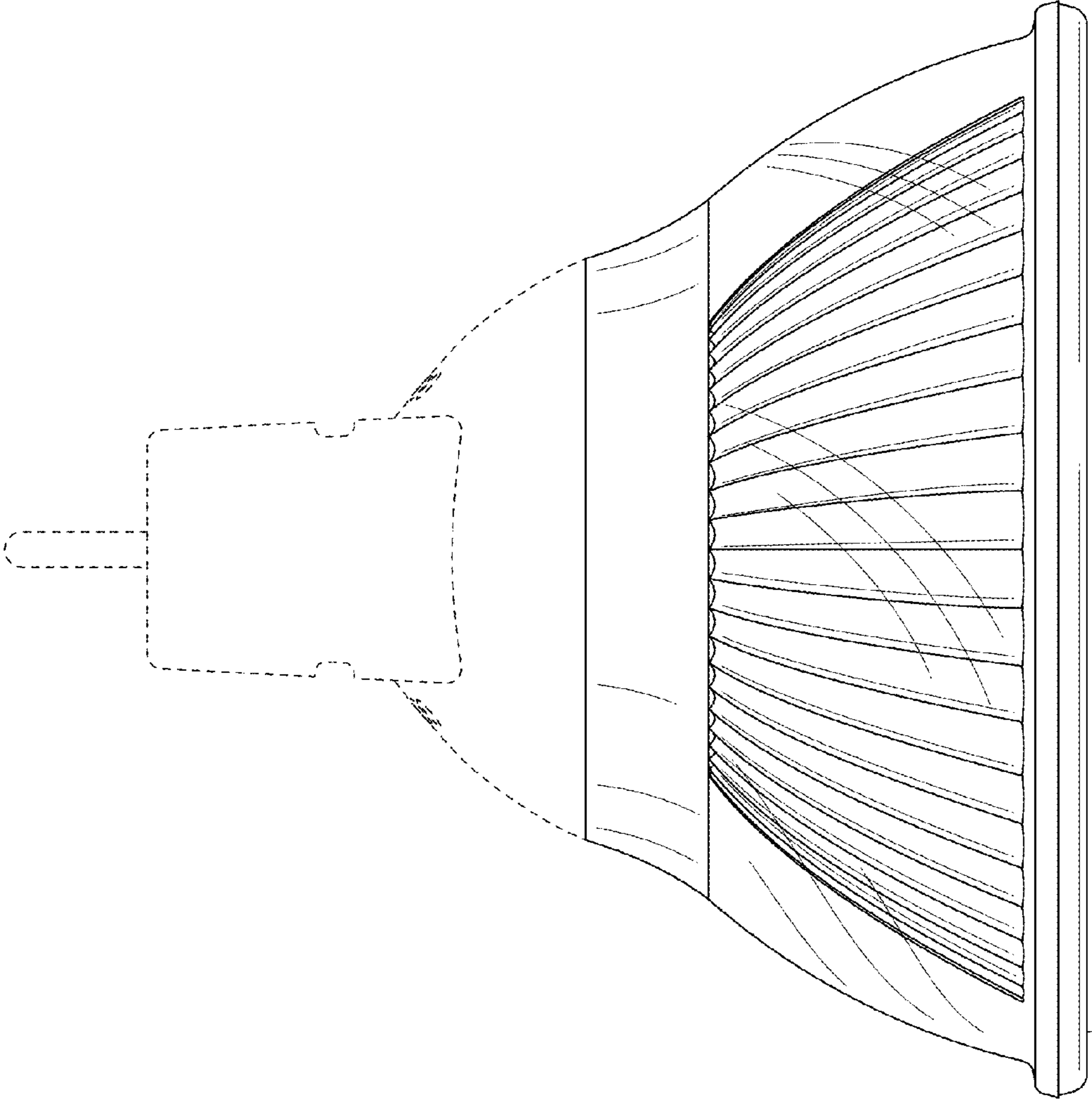


Fig. 5

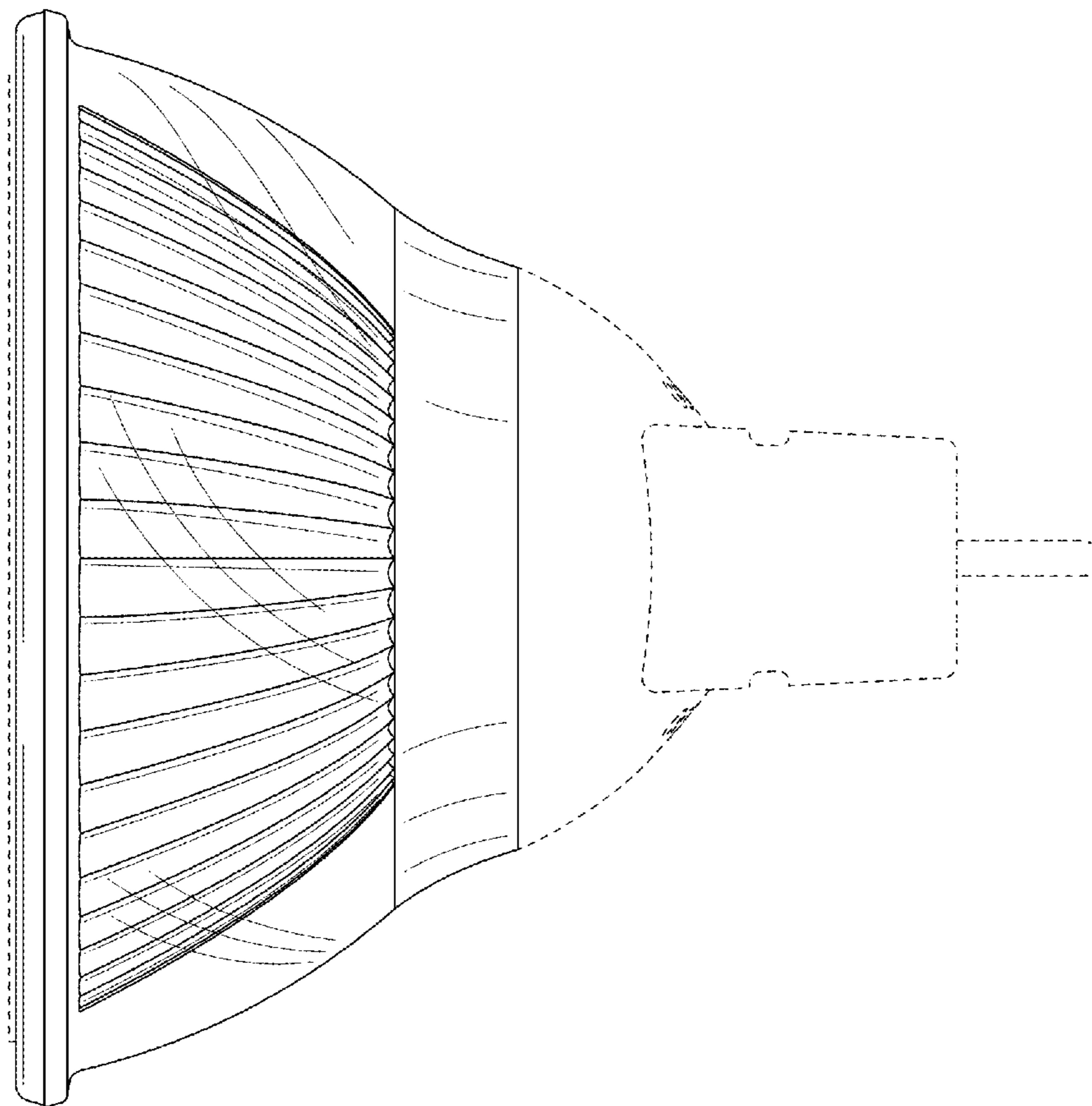


Fig. 6

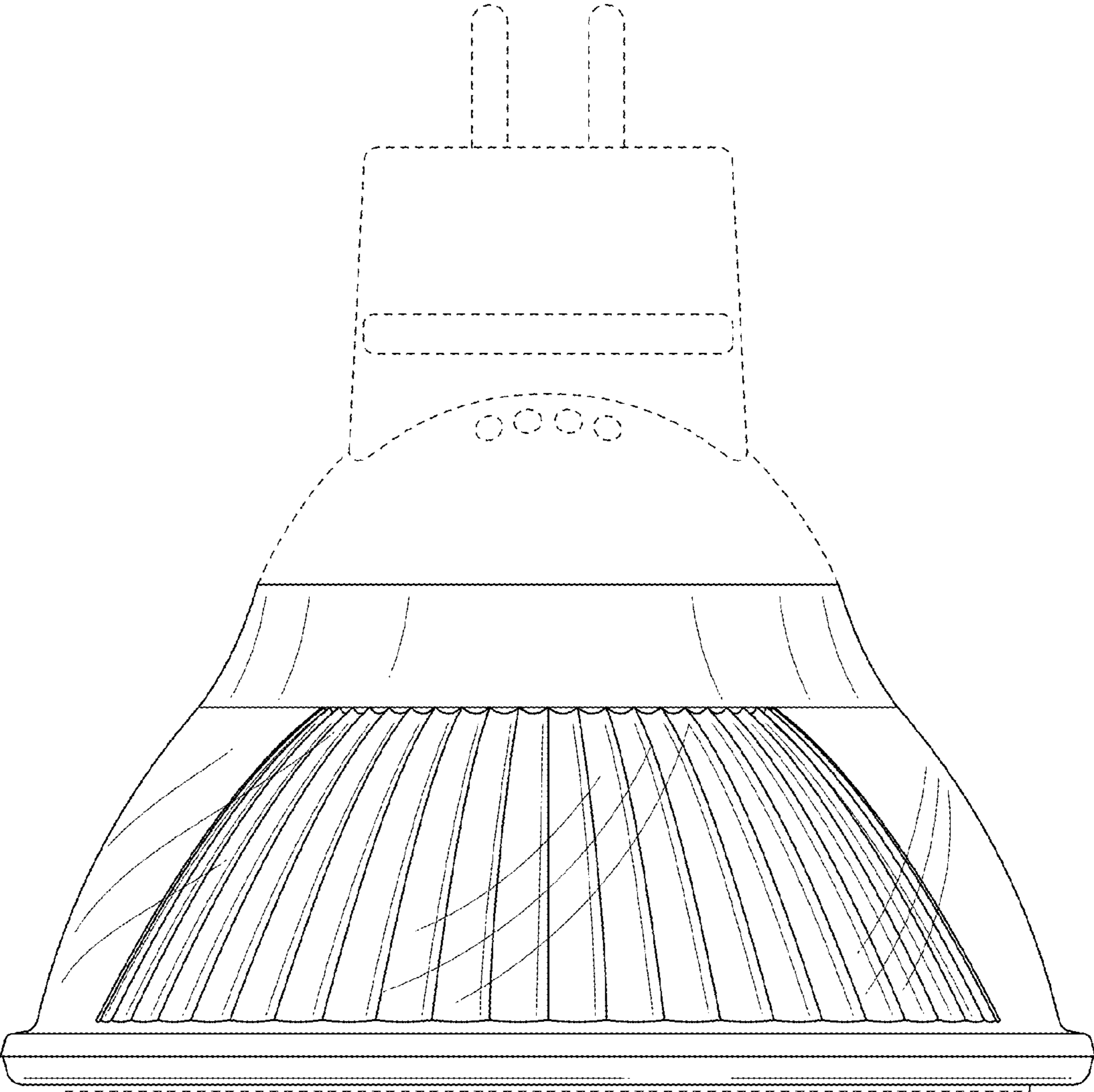


Fig. 7

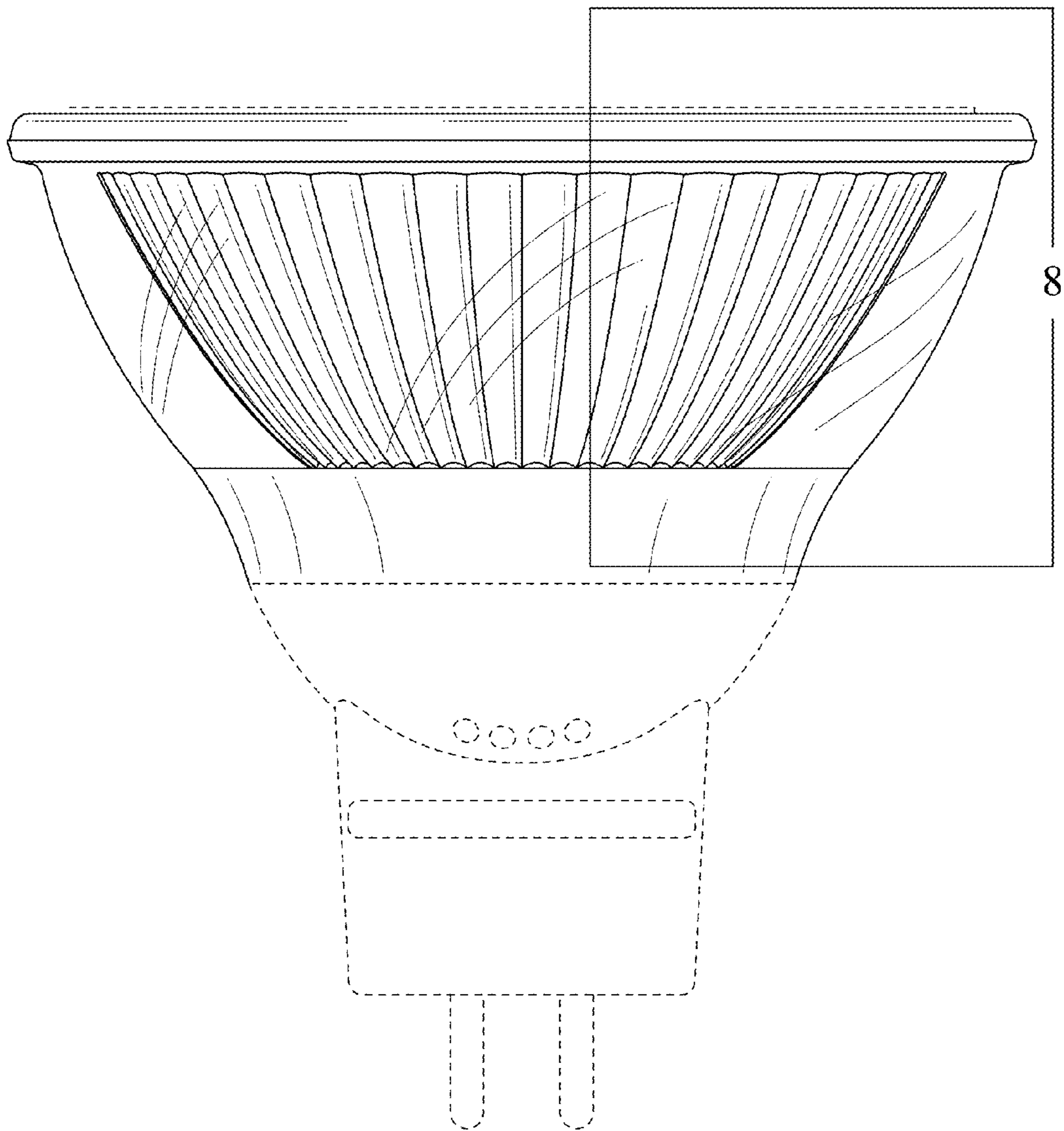


Fig. 8

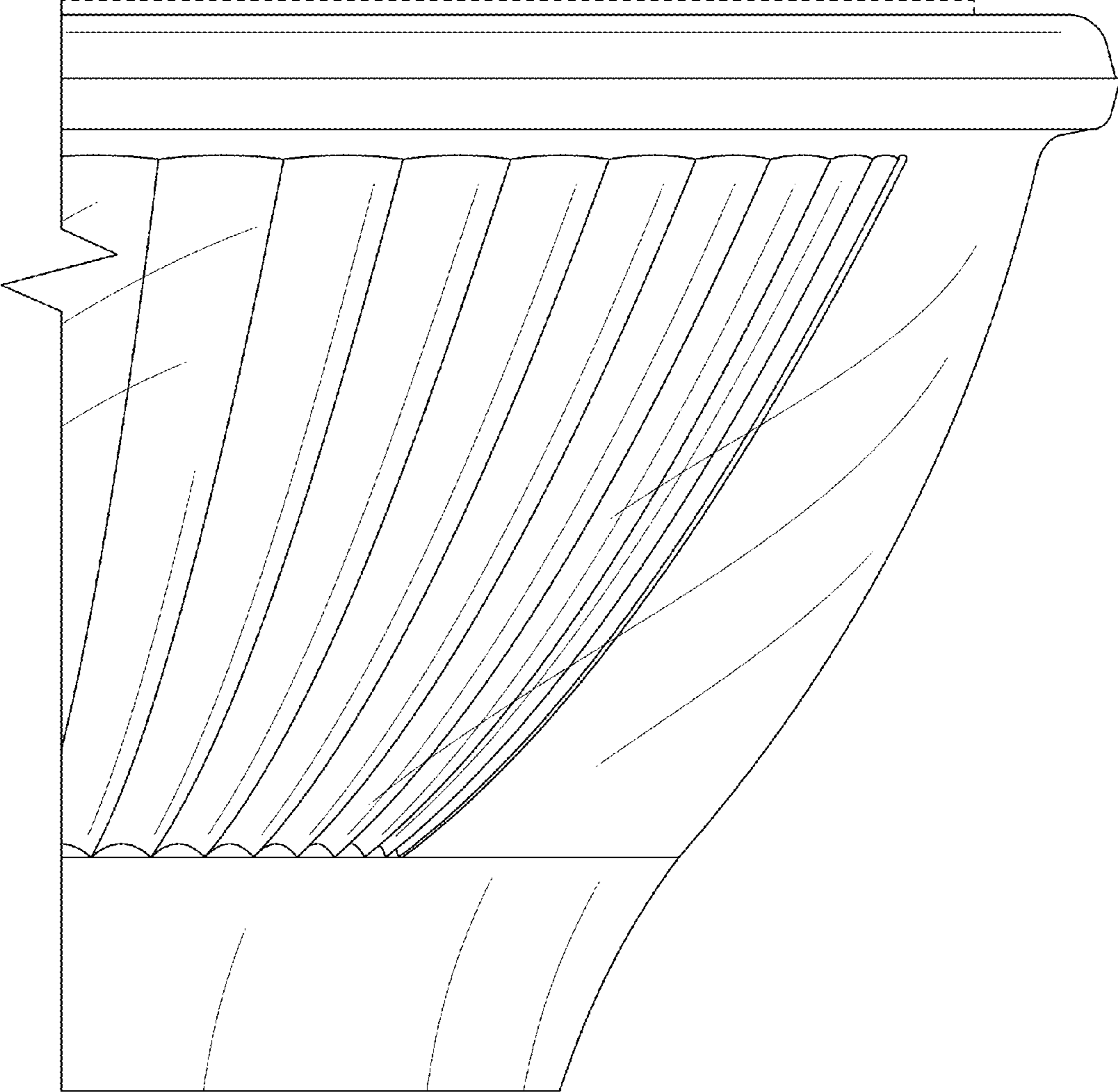


Fig. 9

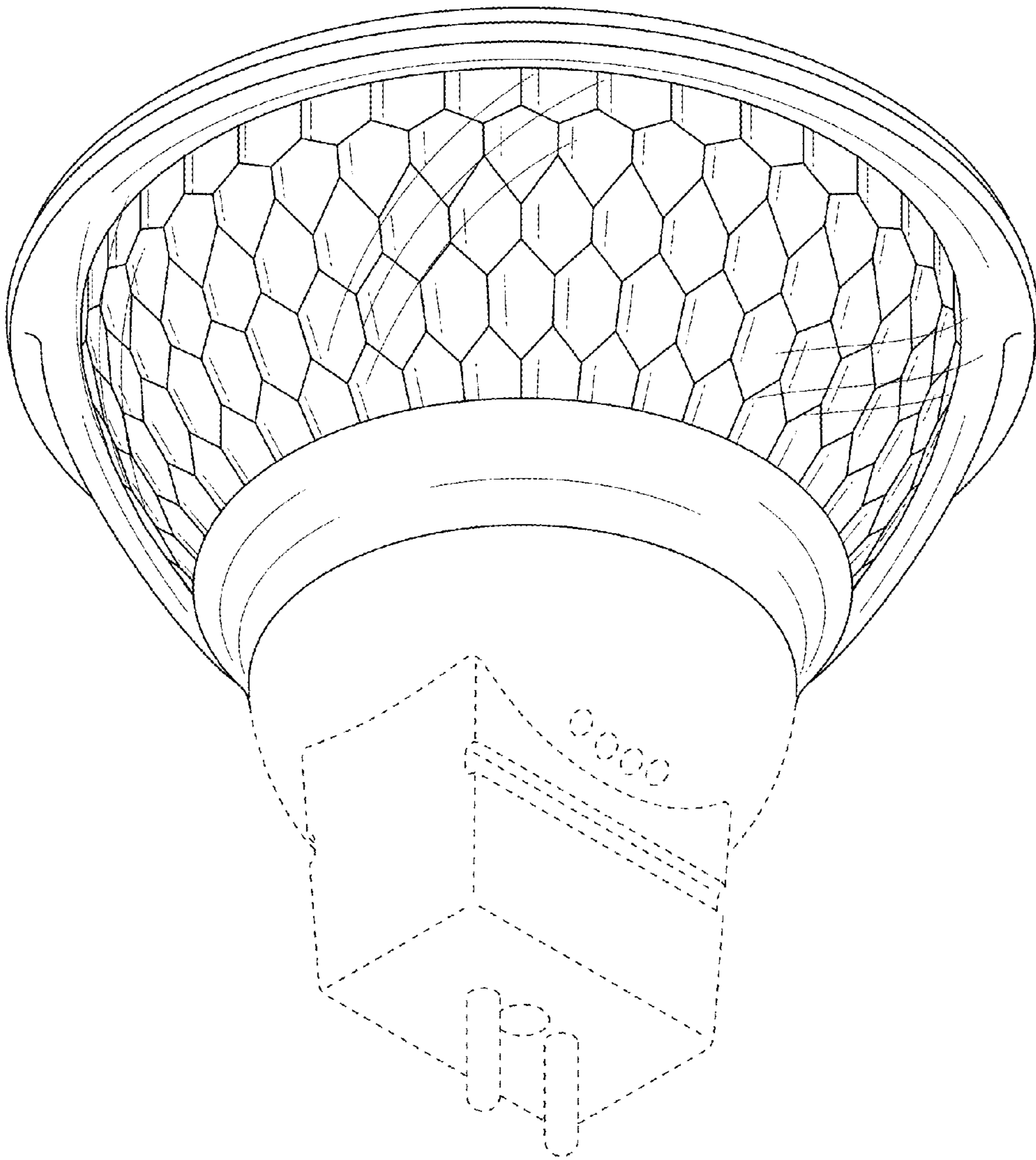


Fig. 10

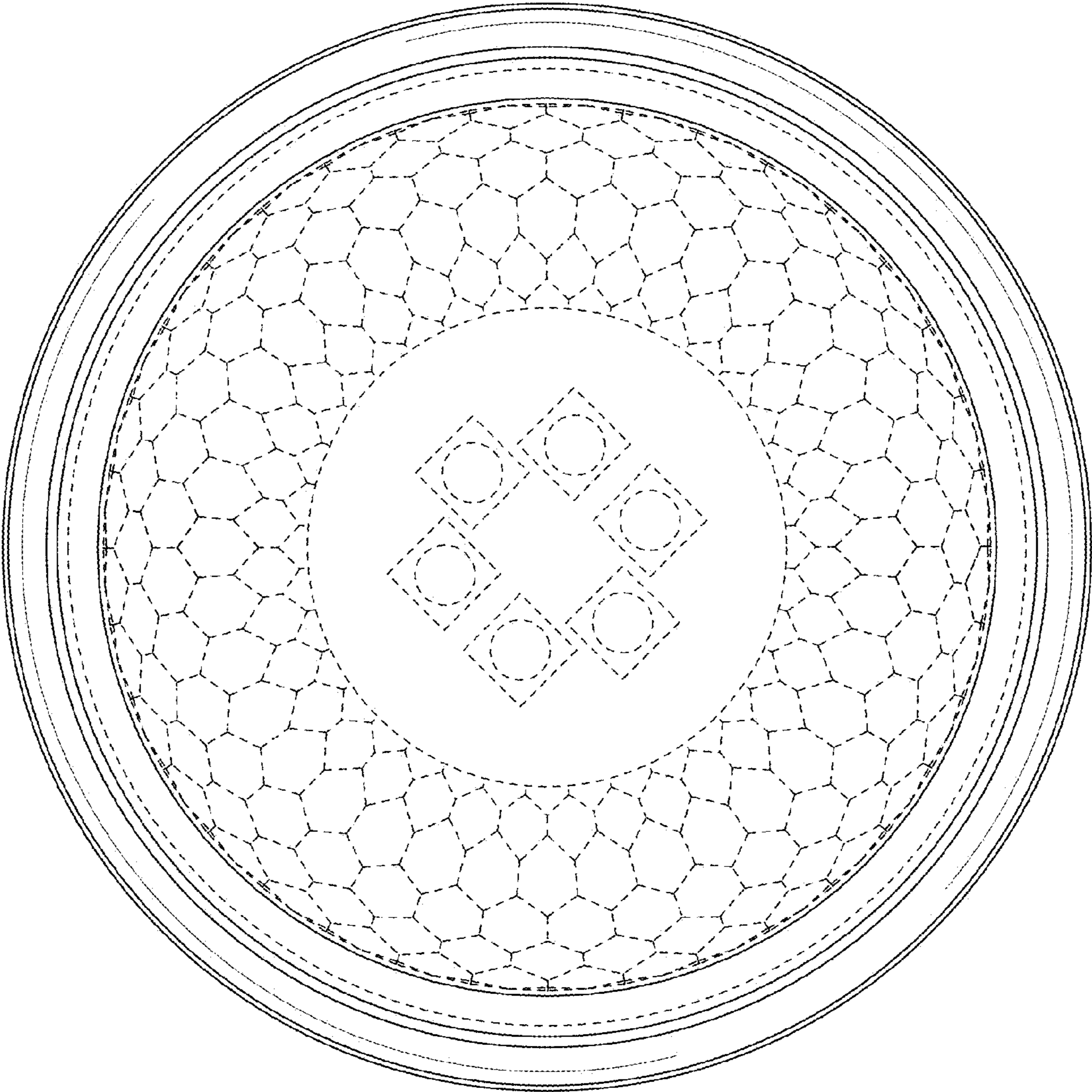


Fig. 11

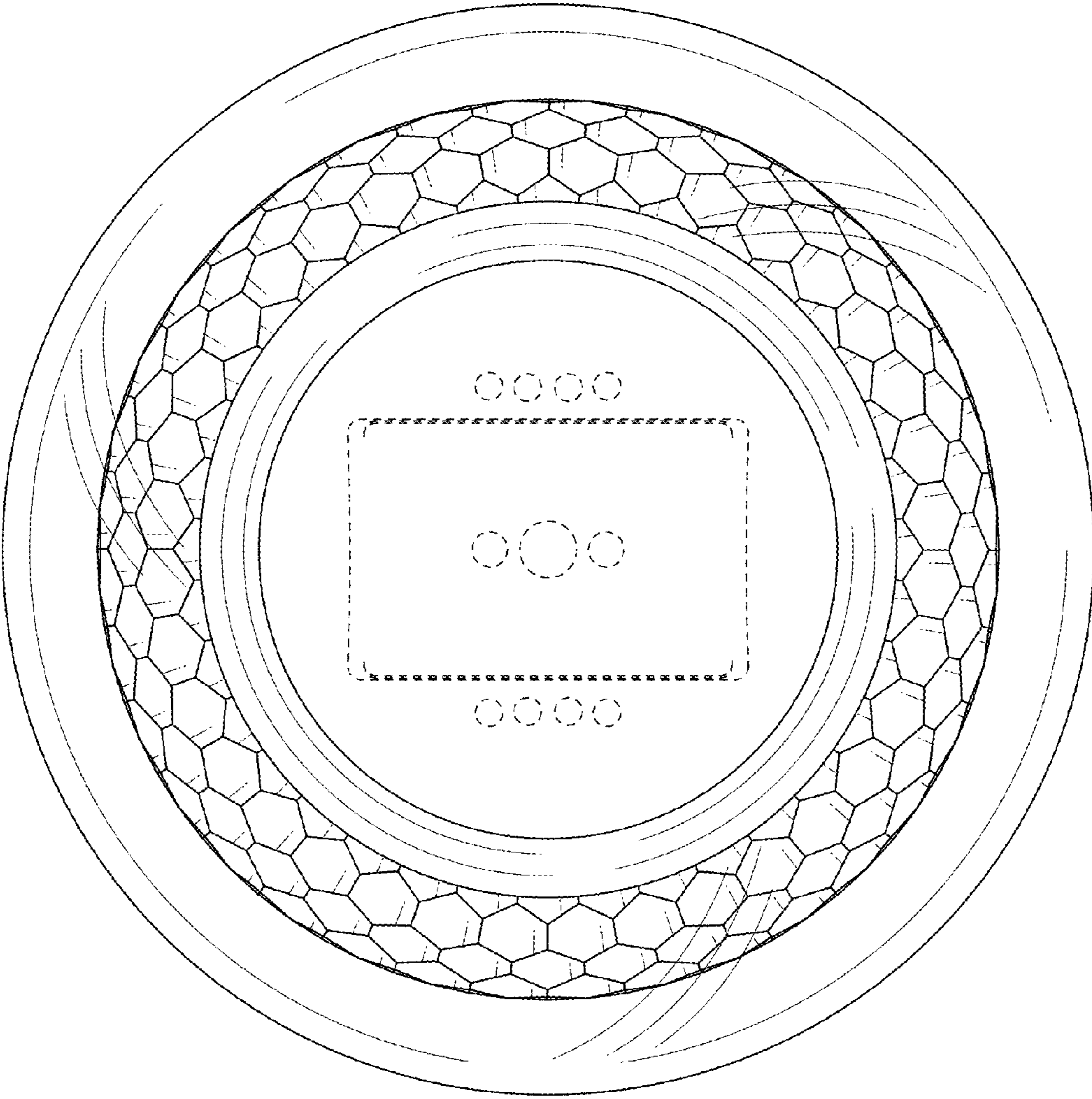


Fig. 12

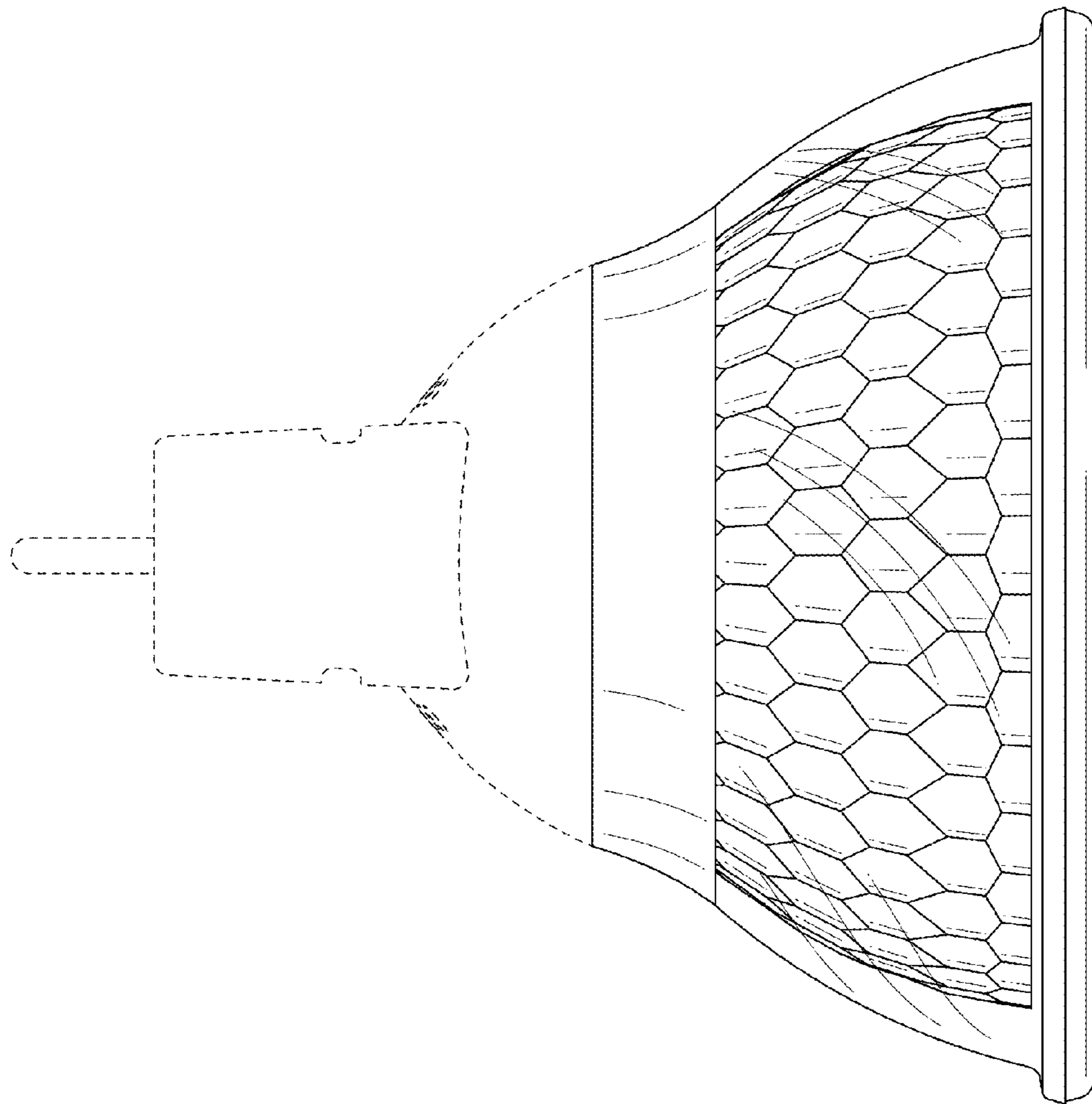


Fig. 13

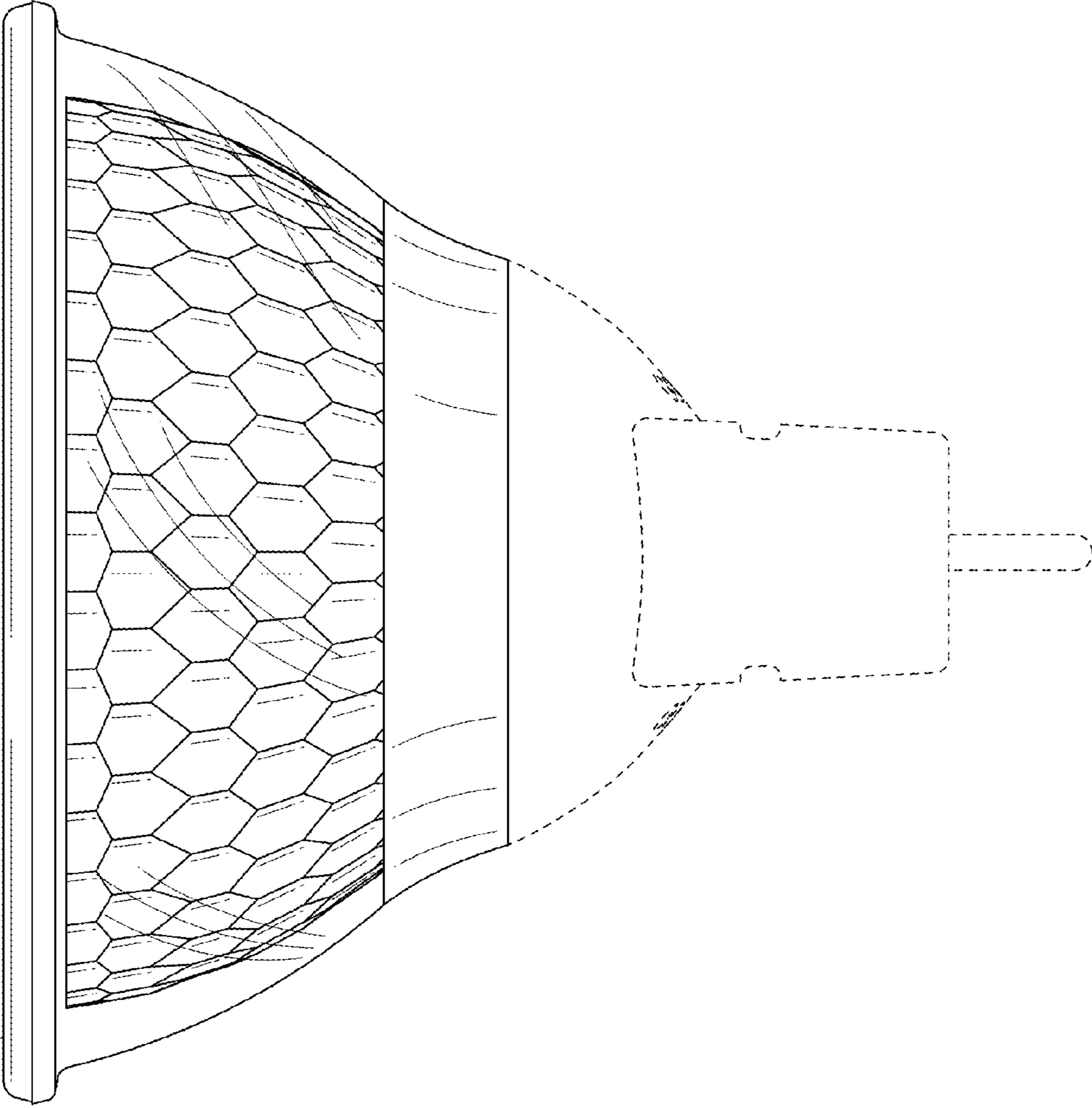


Fig. 14

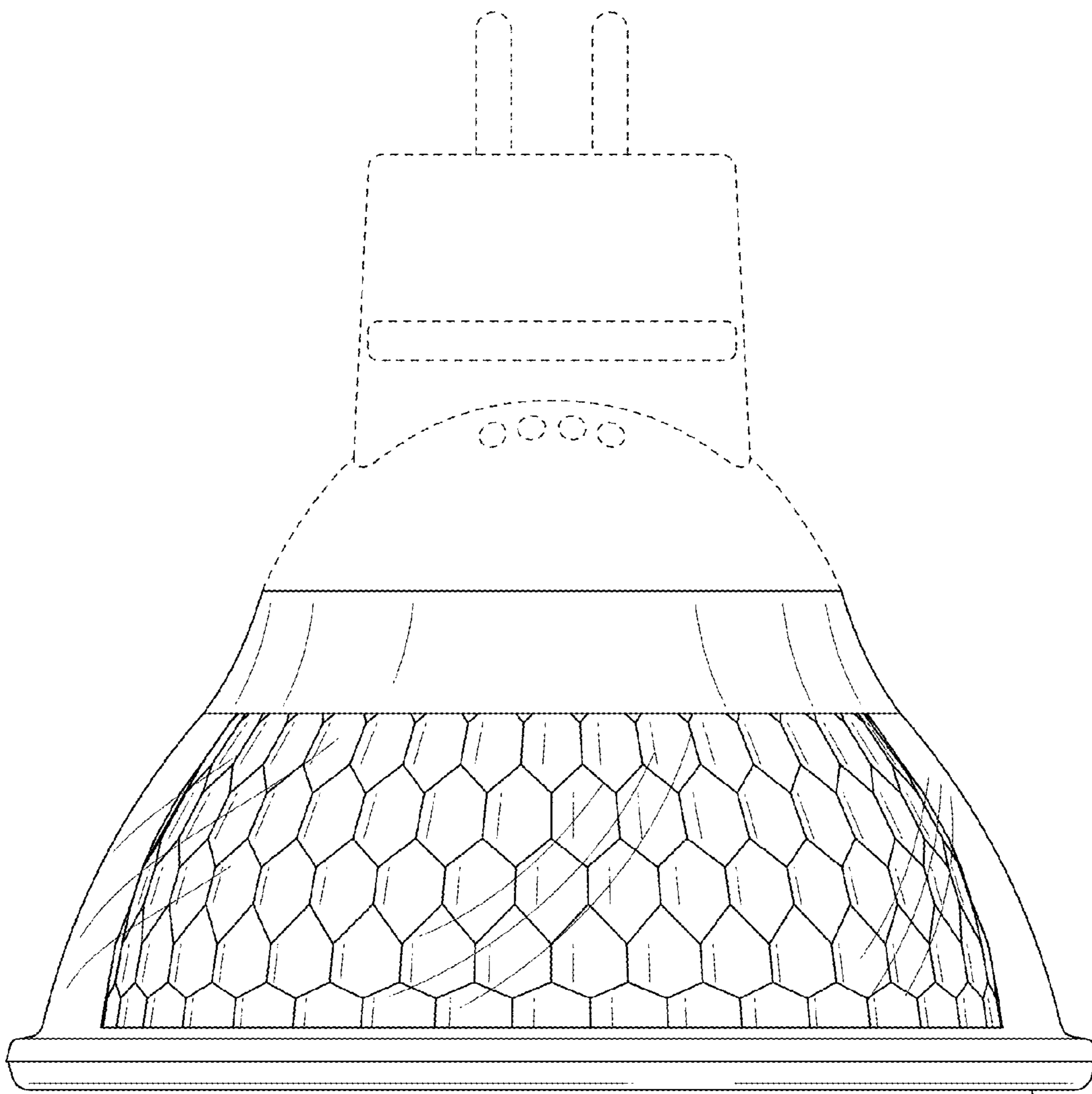


Fig. 15

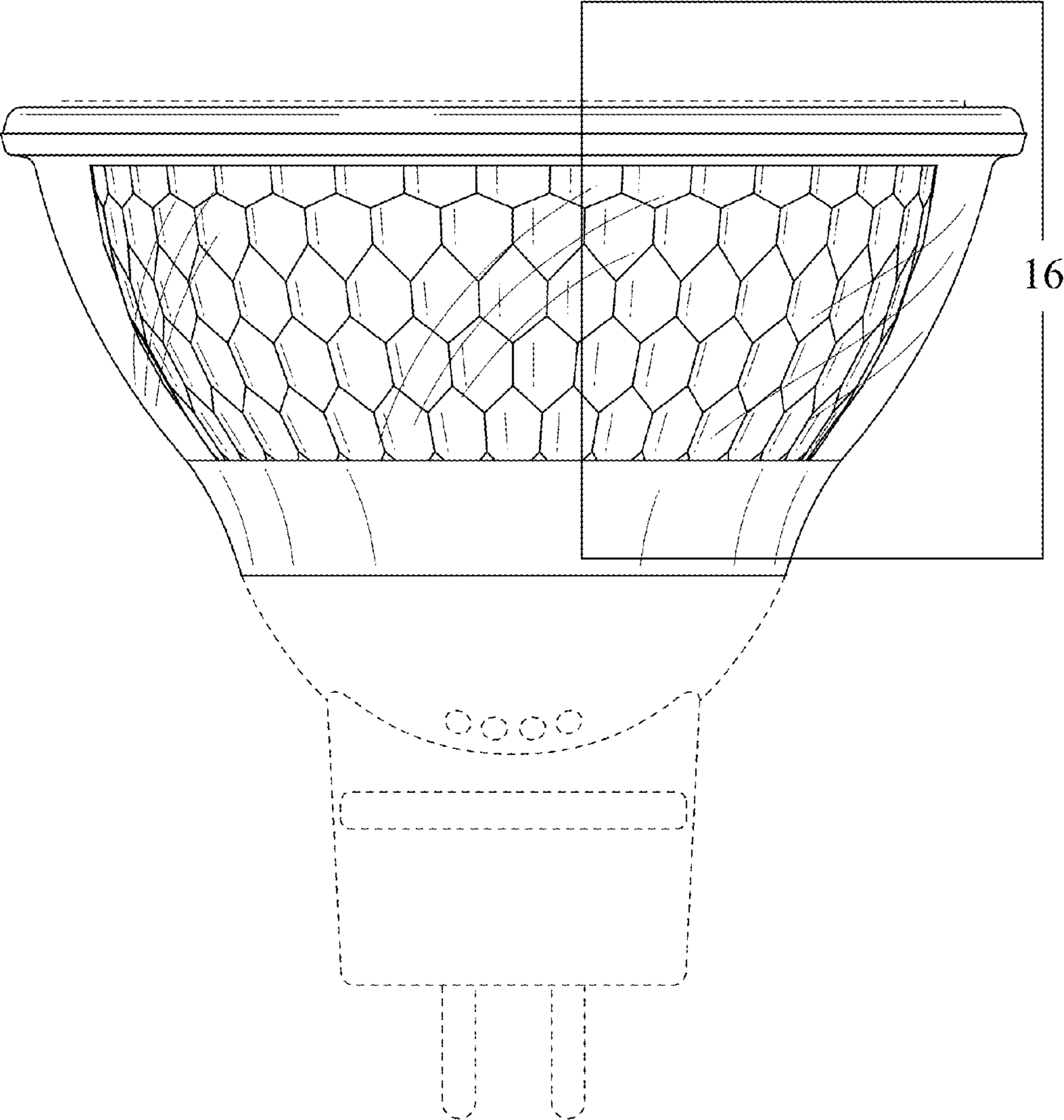


Fig. 16

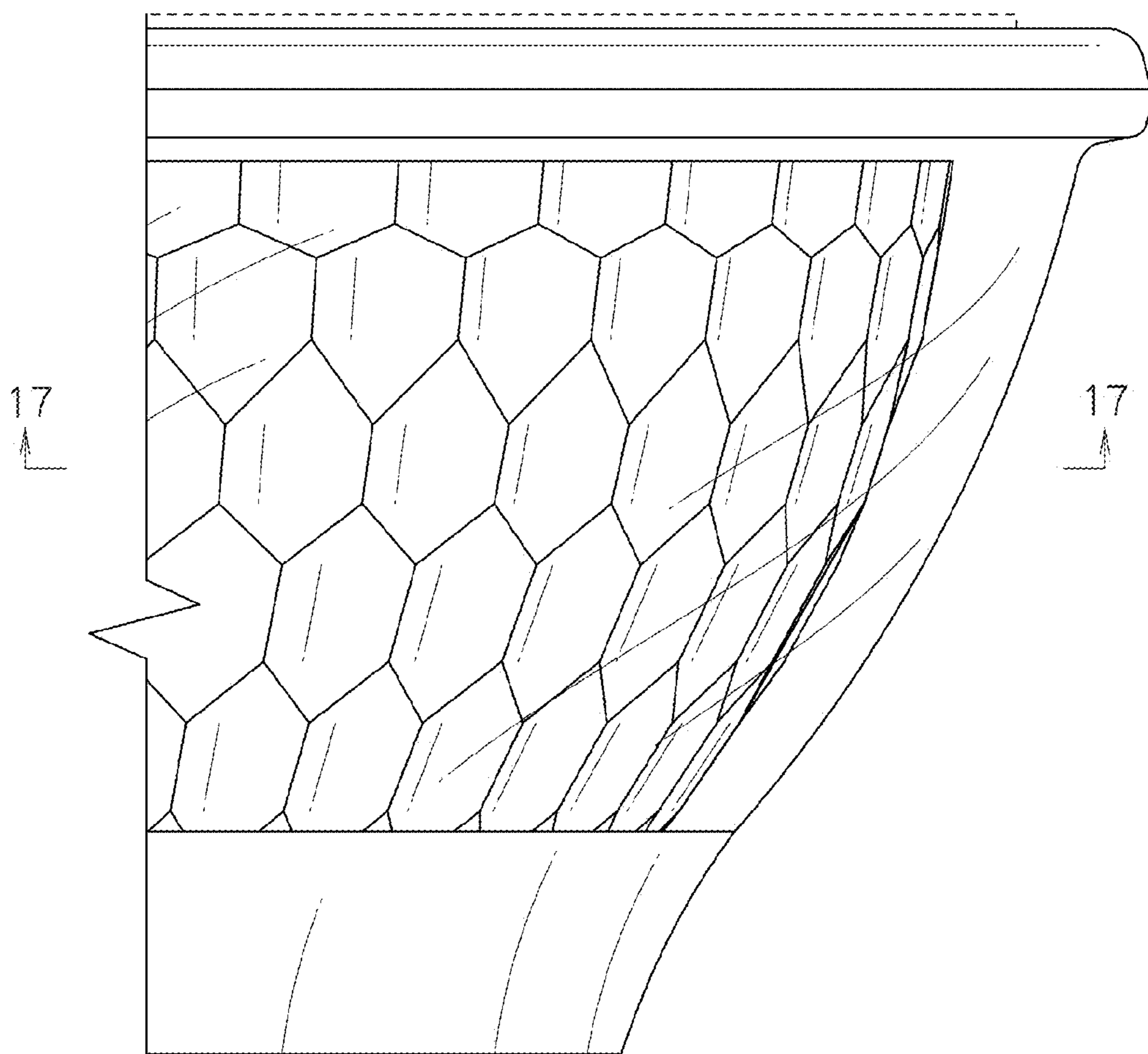


Fig. 17

