



US00D744121S

(12) **United States Design Patent**
Zolotykh et al.

(10) **Patent No.:** **US D744,121 S**
(45) **Date of Patent:** **** Nov. 24, 2015**

(54) **LAMP**

(71) Applicants: **Valeriy Zolotykh**, Abington, MA (US); **Anil Jeswani**, Beverly, MA (US); **Shane Brown**, Haverhill, MA (US); **Natarajan Thirumurugan**, Wakefield, MA (US)

(72) Inventors: **Valeriy Zolotykh**, Abington, MA (US); **Anil Jeswani**, Beverly, MA (US); **Shane Brown**, Haverhill, MA (US); **Natarajan Thirumurugan**, Wakefield, MA (US)

(73) Assignee: **OSRAM SYLVANIA Inc.**, Wilmington, MA (US)

(**) Term: **14 Years**

(21) Appl. No.: **29/490,521**

(22) Filed: **May 9, 2014**

(51) **LOC (10) Cl.** **26-04**

(52) **U.S. Cl.**
USPC **D26/2**

(58) **Field of Classification Search**
USPC D26/1-4; 313/313, 315, 316, 317, 318,
313/493; 315/52, 53, 56, 57
See application file for complete search history.

(56) **References Cited**

U.S. PATENT DOCUMENTS

D499,820 S * 12/2004 Foo D26/2
D508,575 S * 8/2005 Buschmann et al. D26/2

(Continued)

OTHER PUBLICATIONS

Philips EnduraLED LED Bulbs with AirFlux Technology, retrieved Jul. 30, 2013, posted Sep. 4, 2012, LED Lighting Rebates, <http://www.ledlightingrebates.com/philips-enduraled-led-bulbs-with-airflux-technology/>.

(Continued)

Primary Examiner — Marcus Jackson

(74) *Attorney, Agent, or Firm* — Shaun P. Montana

(57) **CLAIM**

The ornamental design for a lamp, as shown and described.

DESCRIPTION

FIG. 1 is a perspective view of an embodiment of the ornamental design of a lamp.

FIG. 2 is a perspective view of another embodiment of the ornamental design of the lamp.

FIG. 3 is a top view of an embodiment of the ornamental design of the lamp.

FIG. 4 is a top view of another embodiment of the ornamental design of the lamp.

FIG. 5 is a side view of an embodiment of the ornamental design of the lamp.

FIG. 6 is a front/back view of an embodiment of the ornamental design of the lamp.

FIG. 7 is a bottom view of an embodiment of the ornamental design of the lamp.

FIG. 8 is another bottom view of an embodiment of the ornamental design of the lamp.

FIG. 9 is another perspective view of an embodiment of the ornamental design of the lamp.

FIG. 10 is a perspective view of another embodiment of the ornamental design of the lamp.

FIG. 11 is a top view of another embodiment of the ornamental design of the lamp.

FIG. 12 is a side view of another embodiment of the ornamental design of the lamp.

FIG. 13 is a front/back view of another embodiment of the ornamental design of the lamp.

FIG. 14 is a bottom view of another embodiment of the ornamental design of the lamp.

FIG. 15 is another perspective view of another embodiment of the ornamental design of the lamp.

FIG. 16 is another perspective view of another embodiment of the ornamental design of the lamp.

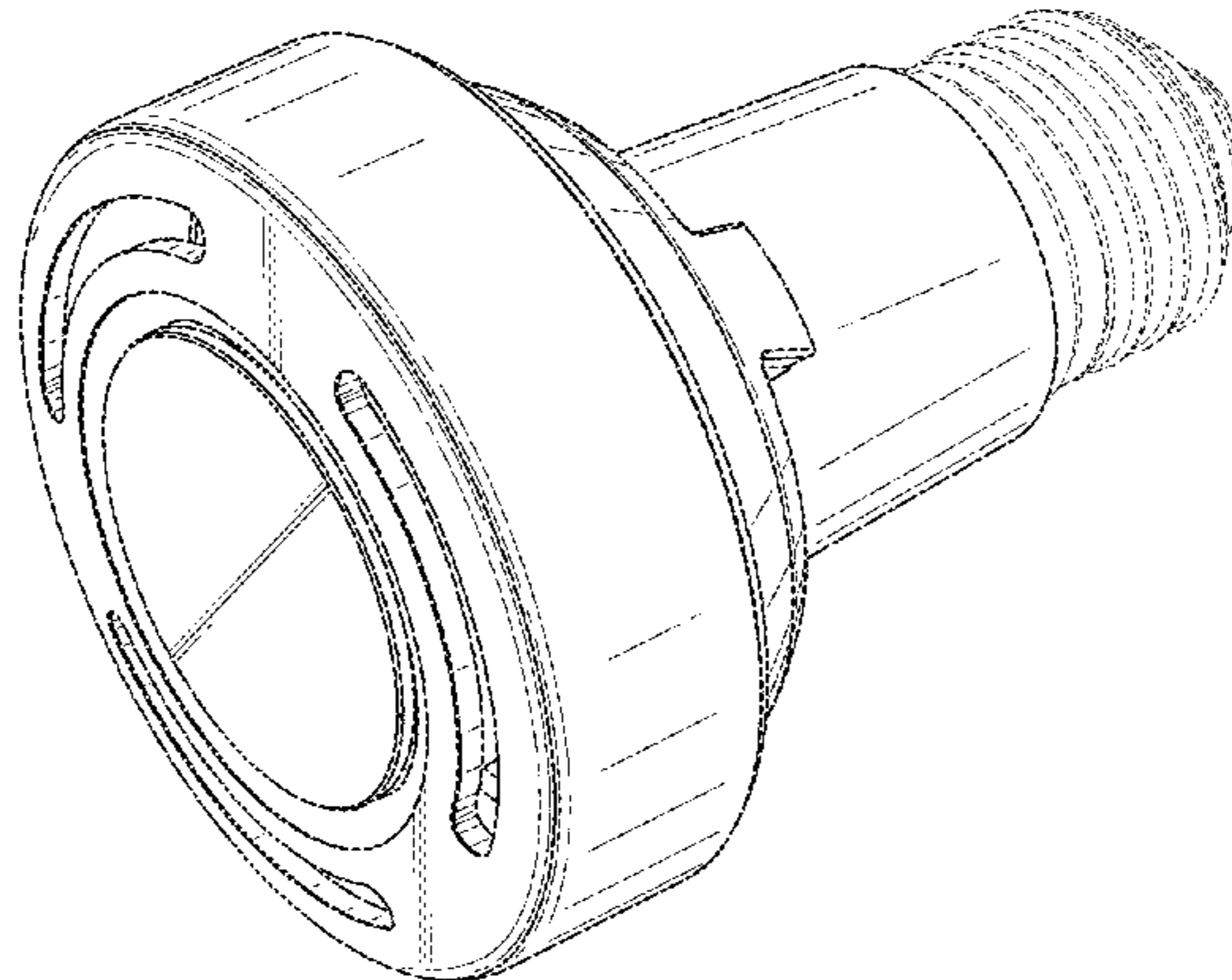
FIG. 17 is another top view of another embodiment of the ornamental design of the lamp.

FIG. 18 is another perspective view of another embodiment of the ornamental design of the lamp; and,

FIG. 19 is another top view of another embodiment of the ornamental design of the lamp.

The broken-line disclosure in the views is understood to represent portions of the article in which the claimed design is embodied, but which form no part of the claimed design.

1 Claim, 19 Drawing Sheets



(56)

References Cited

U.S. PATENT DOCUMENTS

D528,673 S * 9/2006 Maxik et al. D26/2
 D532,532 S 11/2006 Maxik
 D533,038 S 12/2006 Hsu
 D534,665 S * 1/2007 Egawa et al. D26/2
 D542,943 S 5/2007 Wang
 D544,110 S 6/2007 Hooker et al.
 D545,457 S 6/2007 Chen
 D546,980 S 7/2007 Lo
 D549,854 S * 8/2007 Takahashi D26/2
 D566,300 S 4/2008 Lo
 D581,555 S 11/2008 To et al.
 D582,578 S 12/2008 Tsai et al.
 D584,838 S 1/2009 To et al.
 D586,928 S * 2/2009 Liu et al. D26/2
 D594,995 S 6/2009 Komar
 D601,722 S 10/2009 Foo
 D610,722 S 2/2010 Bi
 D620,152 S * 7/2010 Lai et al. D26/2
 D627,495 S * 11/2010 Lai et al. D26/2
 D629,534 S 12/2010 Song
 D631,989 S 2/2011 Bobel
 D634,035 S * 3/2011 Kim et al. D26/2
 D670,414 S 11/2012 Guohui
 D677,806 S 3/2013 Jiang et al.
 D688,397 S * 8/2013 Tsai D26/2
 D691,745 S 10/2013 Wang et al.
 2005/0111234 A1 5/2005 Martin et al.

2006/0193139 A1 8/2006 Sun et al.
 2009/0109625 A1 4/2009 Booth et al.
 2012/0170270 A1 7/2012 Kemps et al.

OTHER PUBLICATIONS

EnduraLED Par with AirFlux Technology Ad, Apr. 2012, pp. 1-2, Philips Lighting Company.
 Philips EnduraLED BR Dimmable LED Lamps with AirFlux Technology, May 2012, pp. 1-2, P-6410-A, Philips Lighting Company, Somerset, NJ, United States of America.
 Philips EnduraLED PAR38 Dimmable LED Lamps with AirFlux Technology, Apr. 2012, pp. 1-2, P-6412, Philips Lighting Company, Somerset, NJ, United States of America.
 Philips EnduraLED PAR30 Dimmable LED Lamps with AirFlux Technology, Apr. 2012, pp. 1-2, P-6423, Philips Lighting Company, Somerset, NJ, United States of America.
 Philips PAR20 Dimmable LED Lamps with AirFlux Technology, Oct. 2012, pp. 1-2, P-6450, Philips Lighting Company, Somerset, NJ, United States of America.
 Philips PAR30S LED Retail Optic Lamps with AirFlux Technology, Feb. 2013, pp. 1-2, P-6467, Philips Lighting Company, Somerset, NJ, United States of America.
 Philips PAR38 LED Retail Optic Lamps with AirFlux Technology, Feb. 2013, pp. 1-4, P-6468, Philips Lighting Company, Somerset, NJ, United States of America.
 Philips PAR30L LED Retail Optic lamp with AirFlux Technology, Mar. 2013, pp. 1-2, P-6478, Philips Lighting Company, Somerset, NJ, United States of America.

* cited by examiner

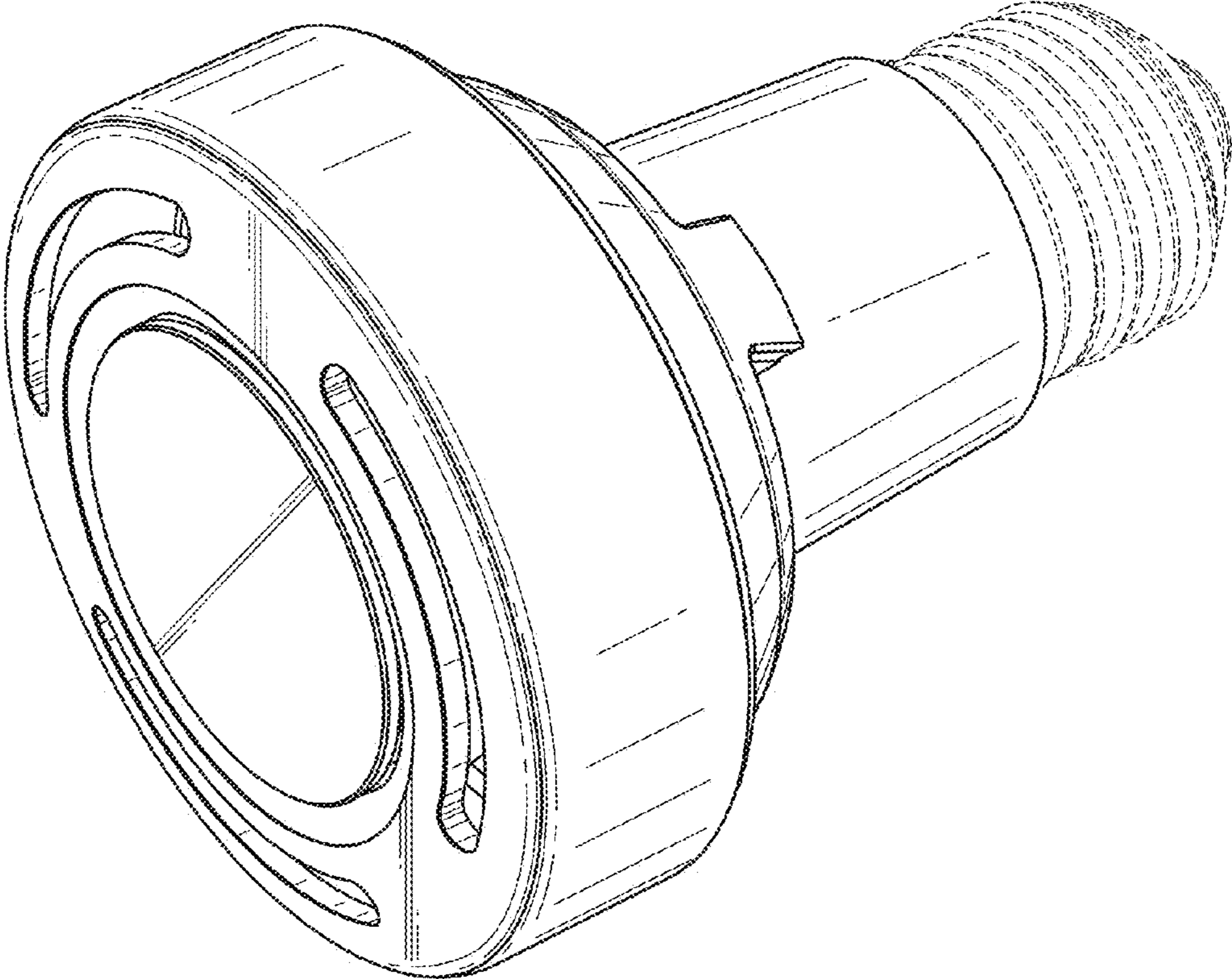


FIG. 1

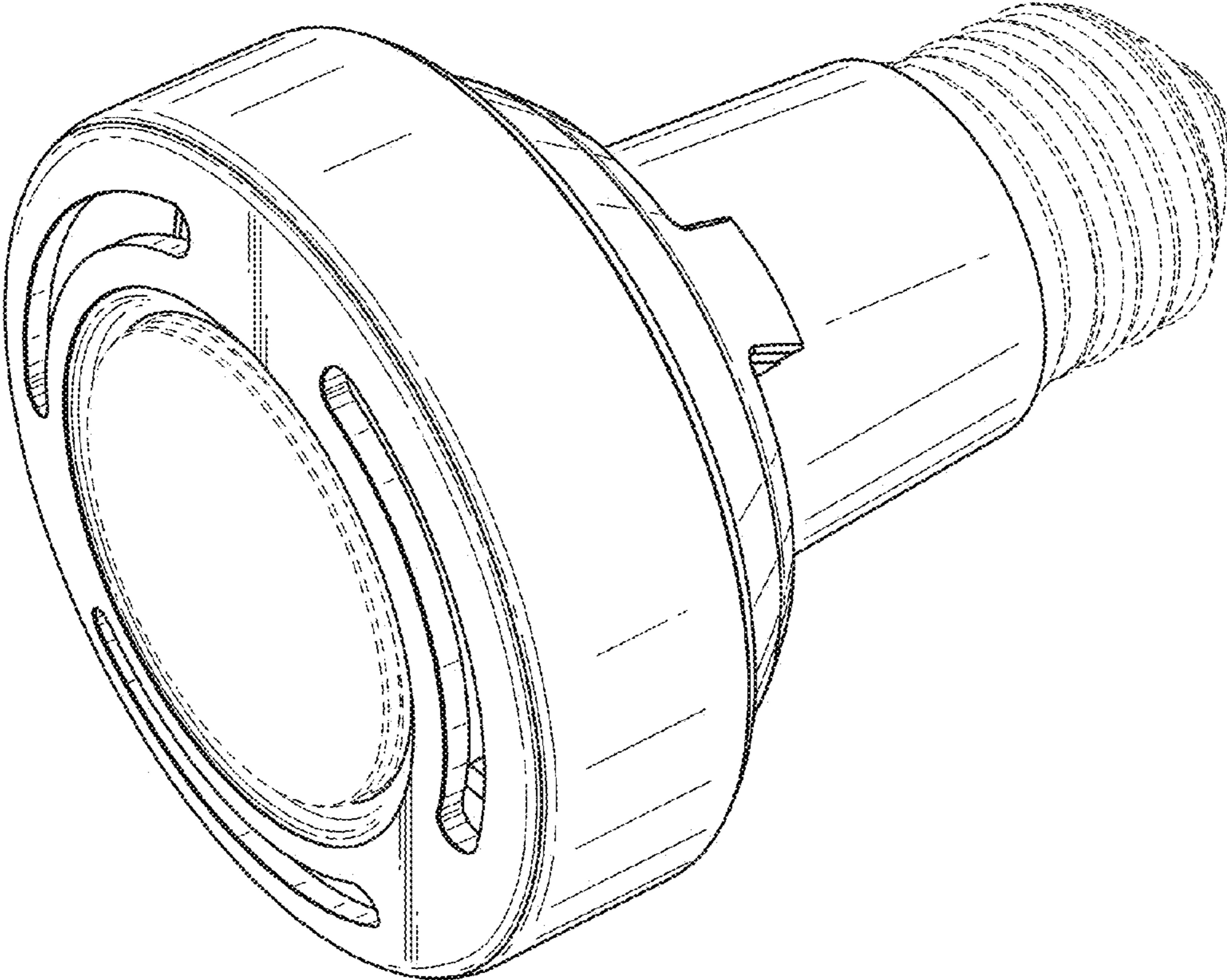


FIG. 2

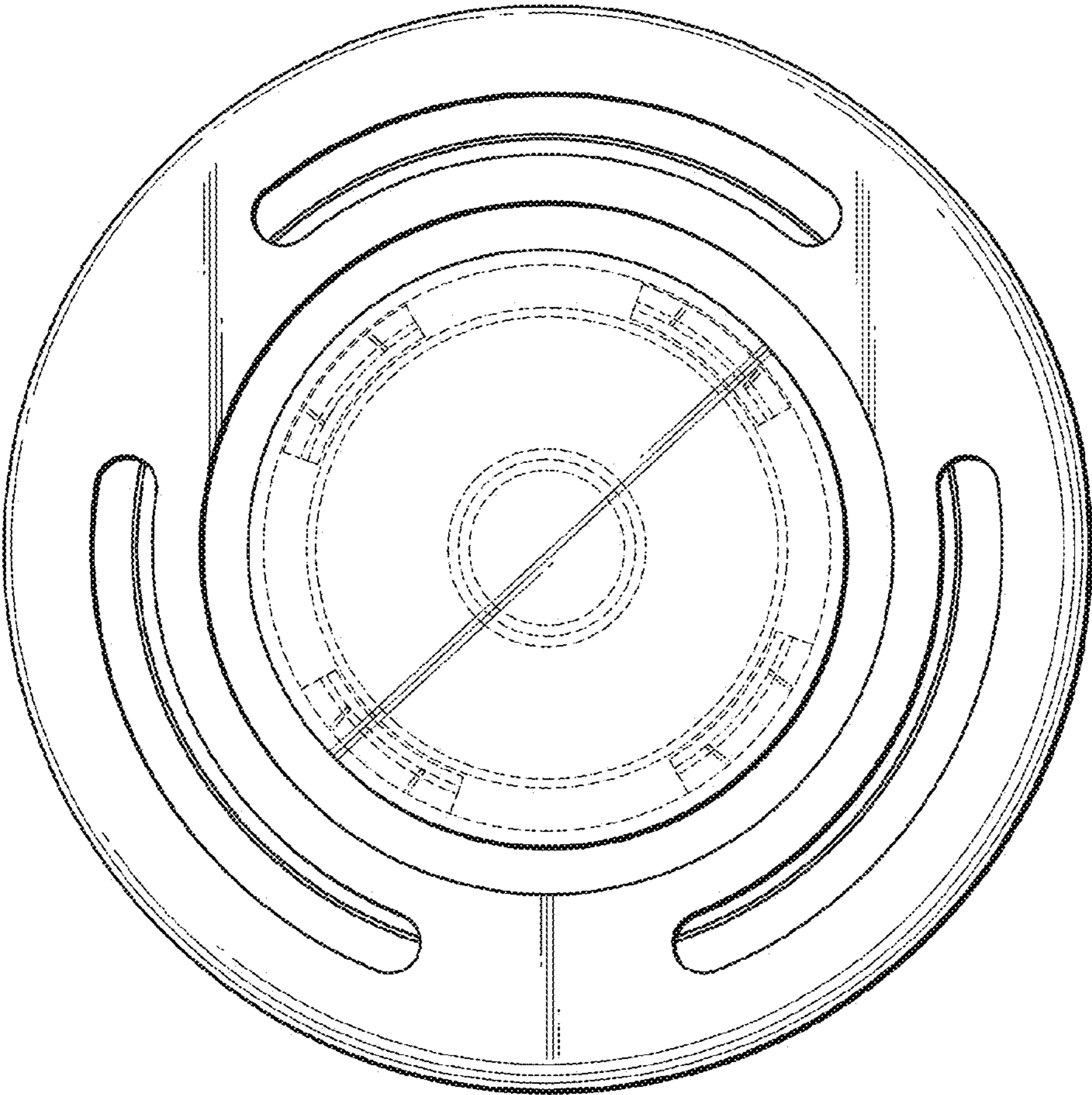


FIG. 3

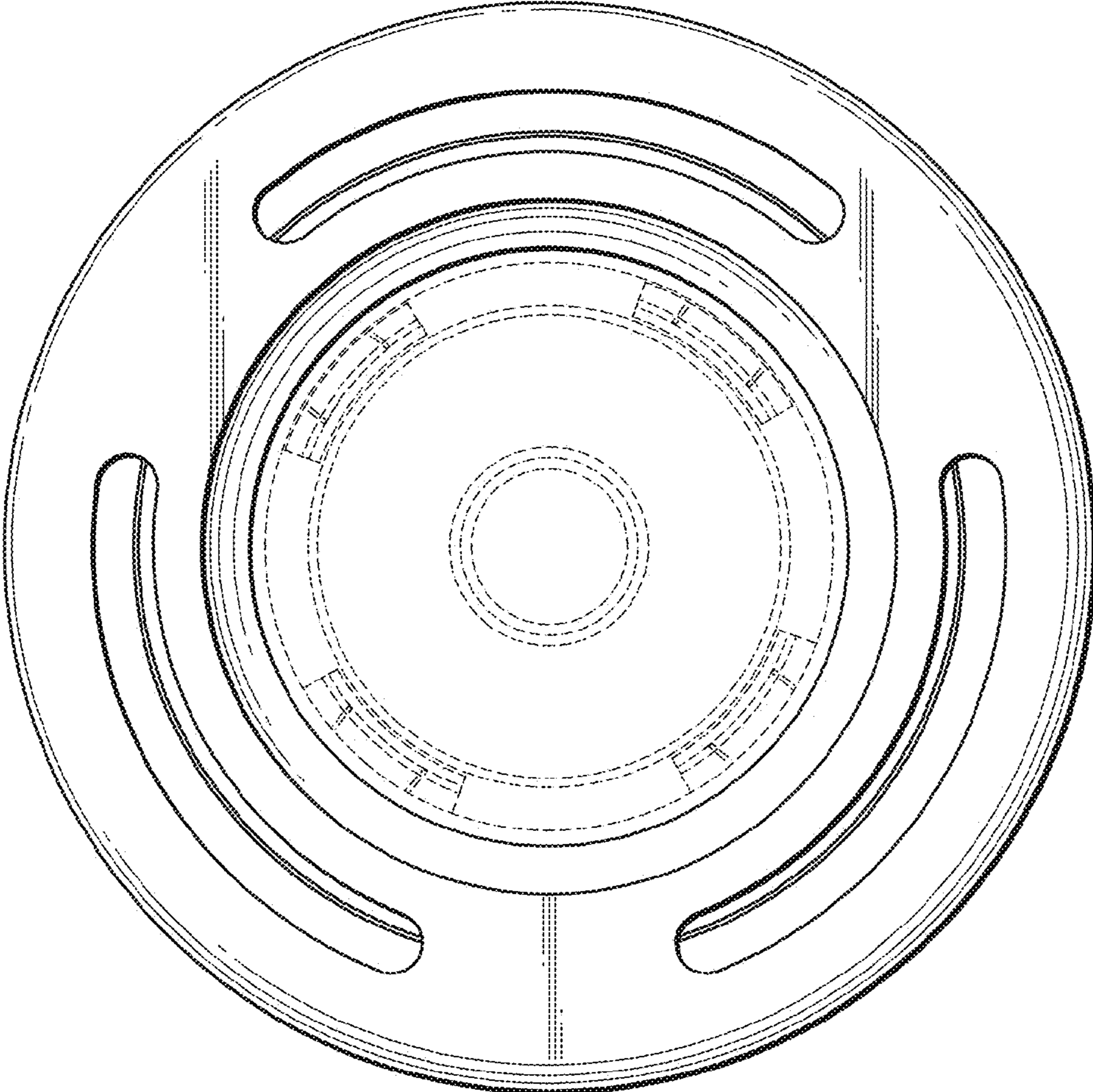


FIG. 4

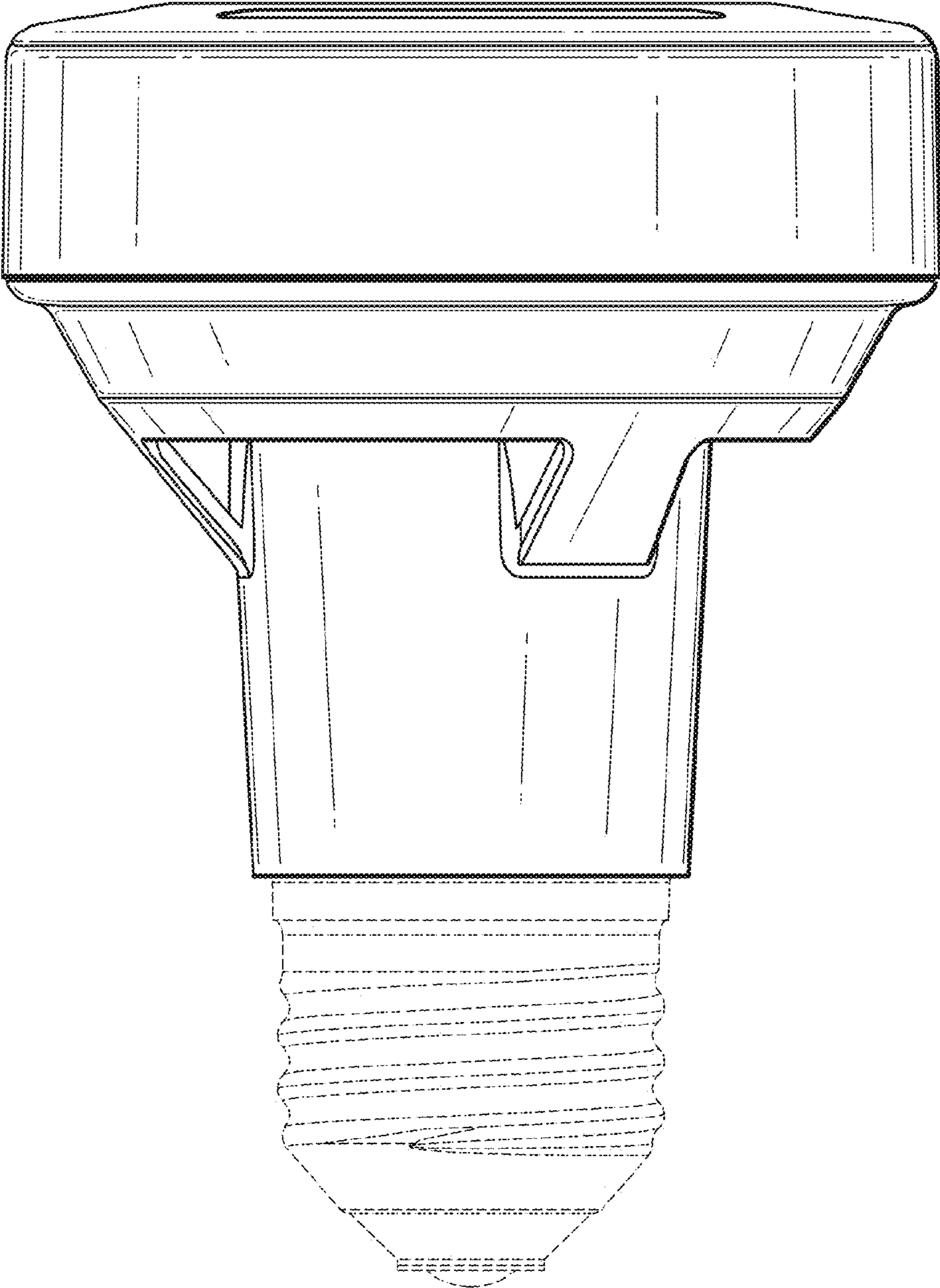


FIG. 5

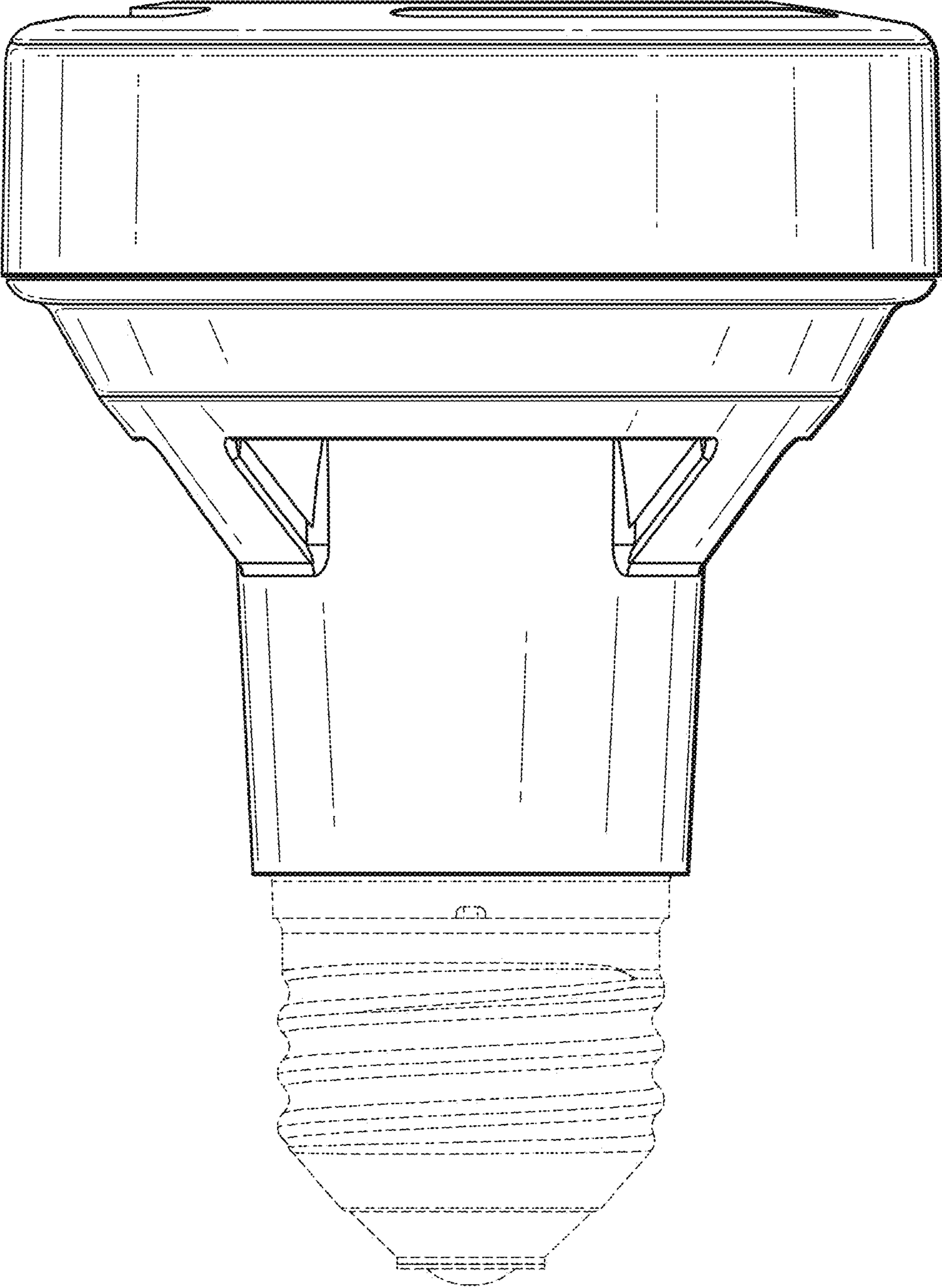


FIG. 6

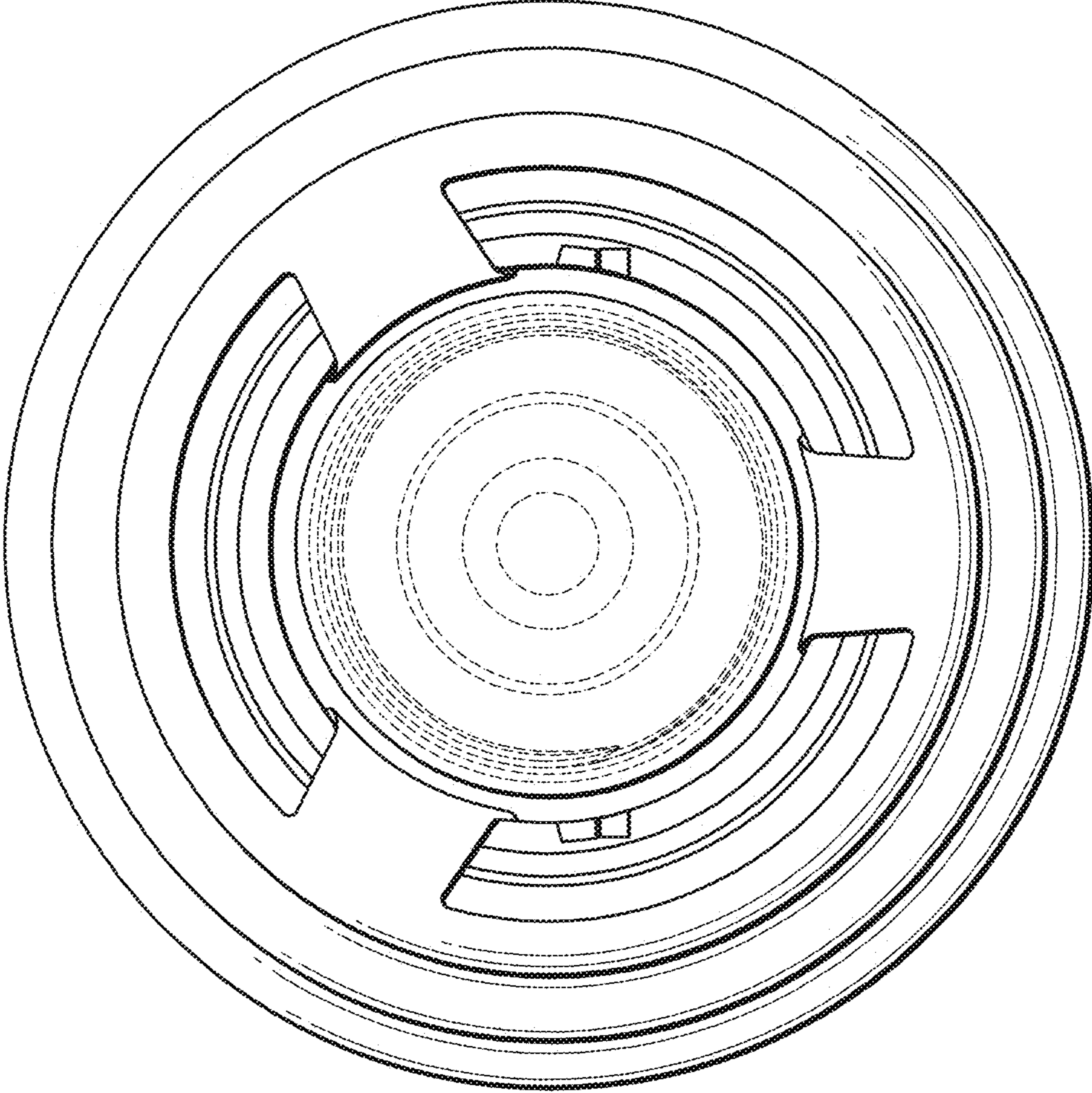


FIG. 7

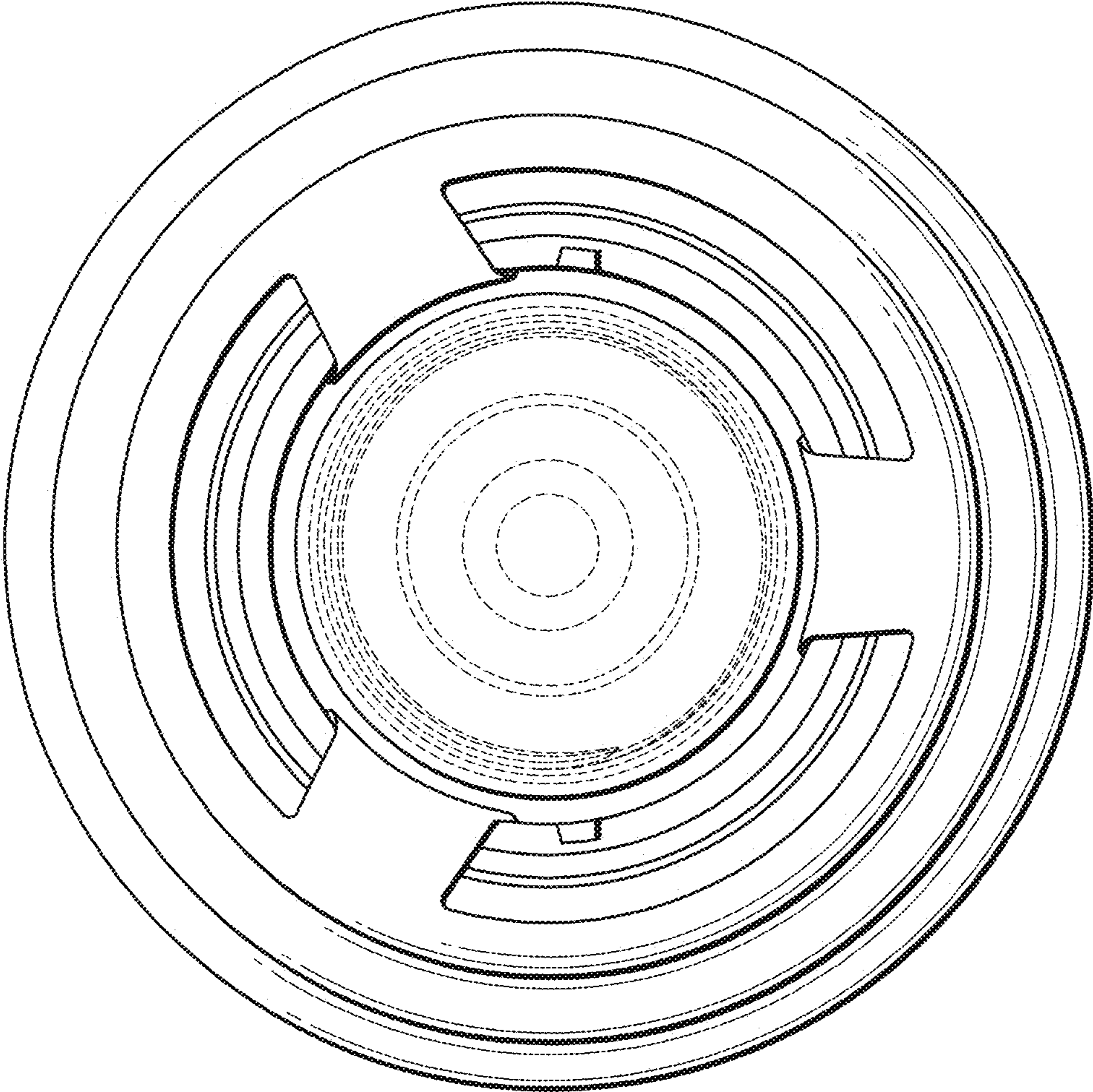


FIG. 8

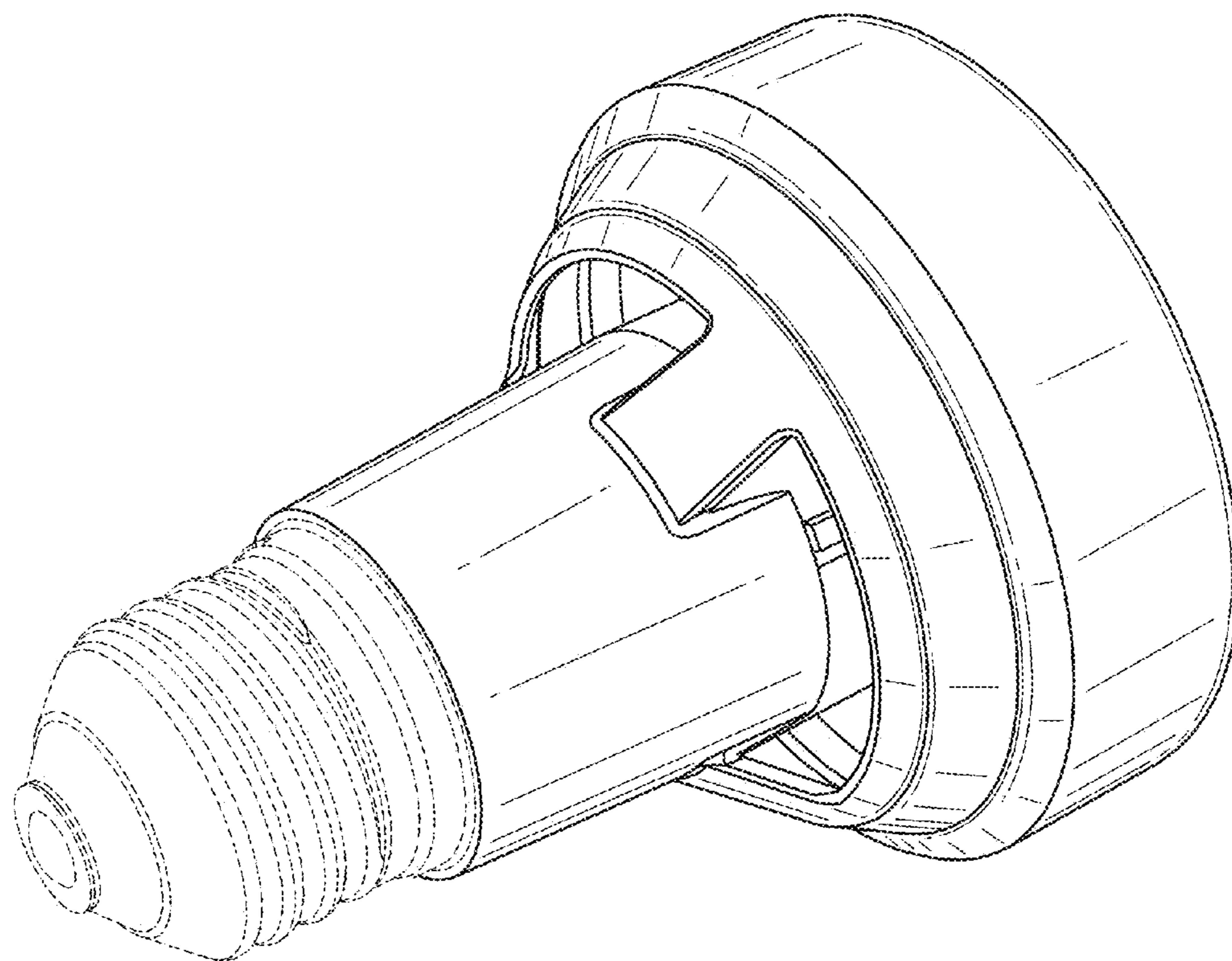


FIG. 9

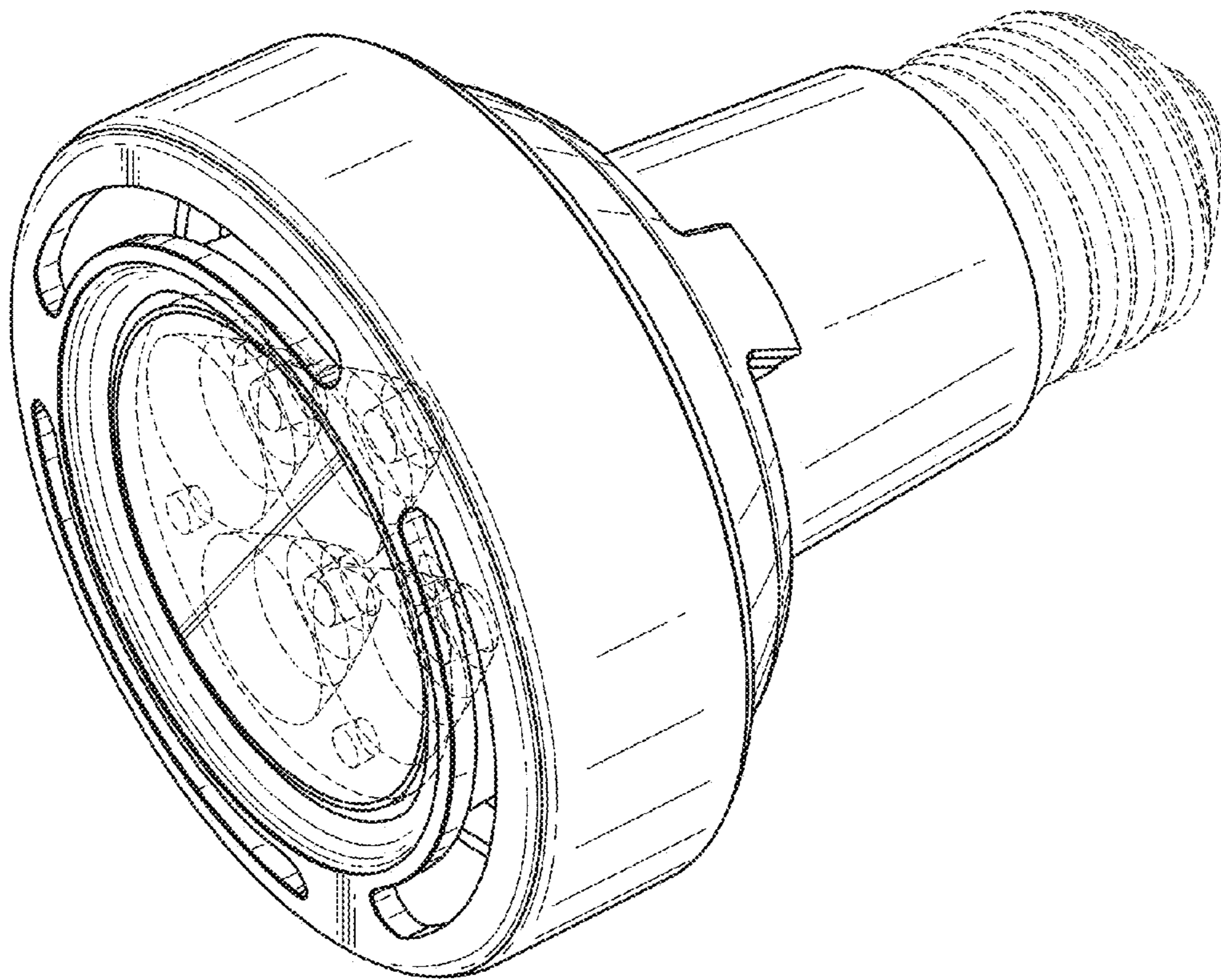


FIG. 10

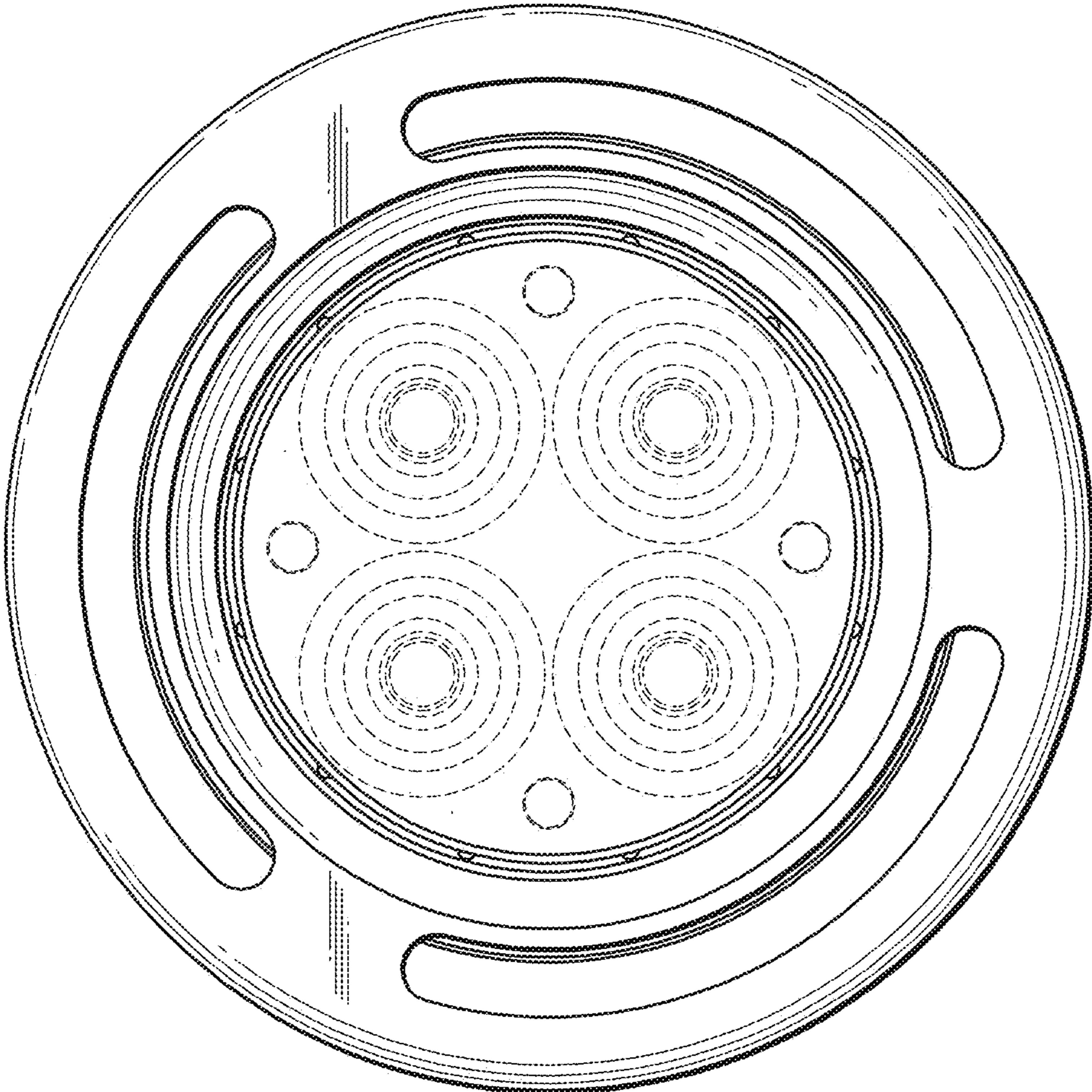


FIG. 11

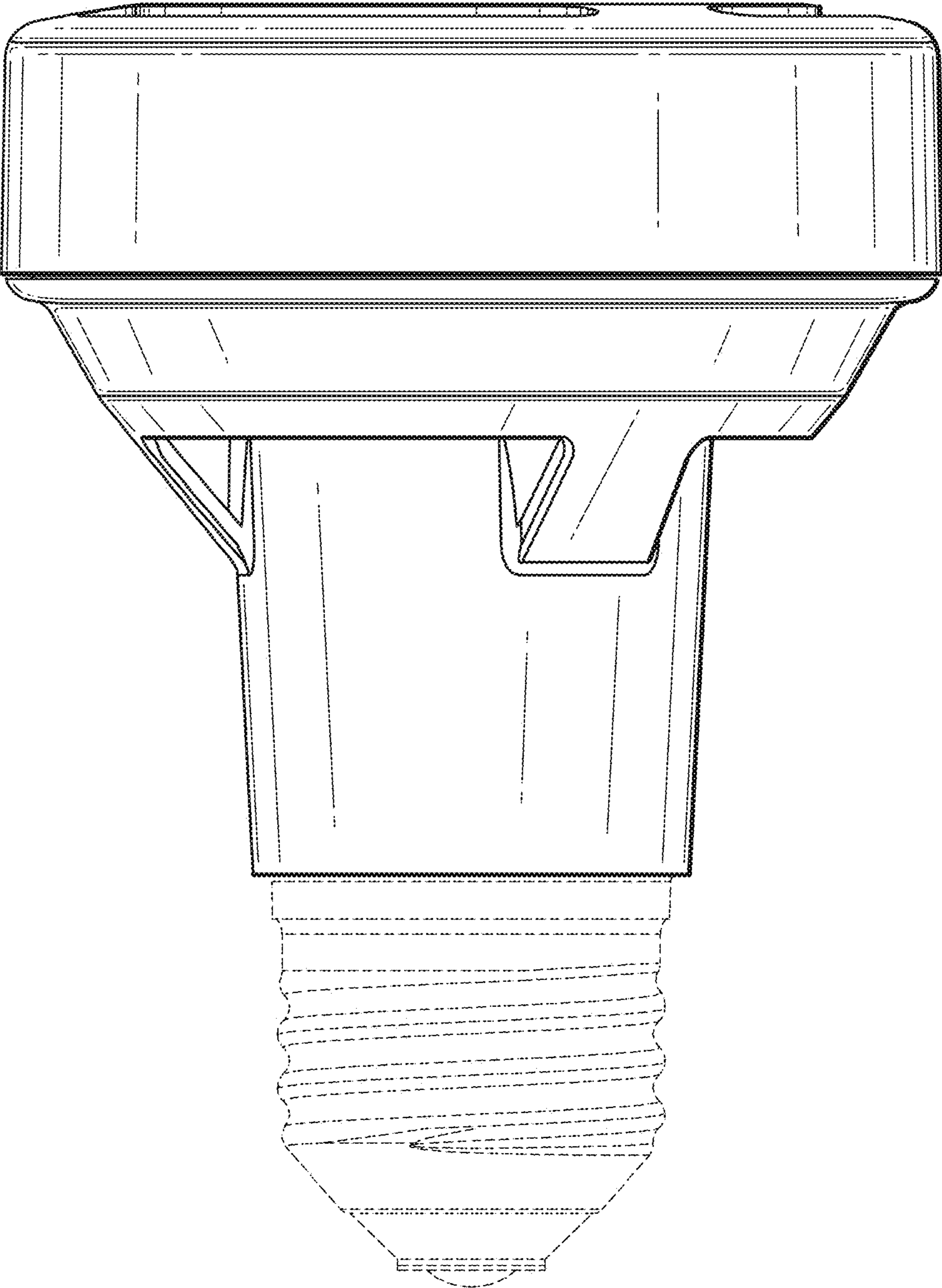


FIG. 12

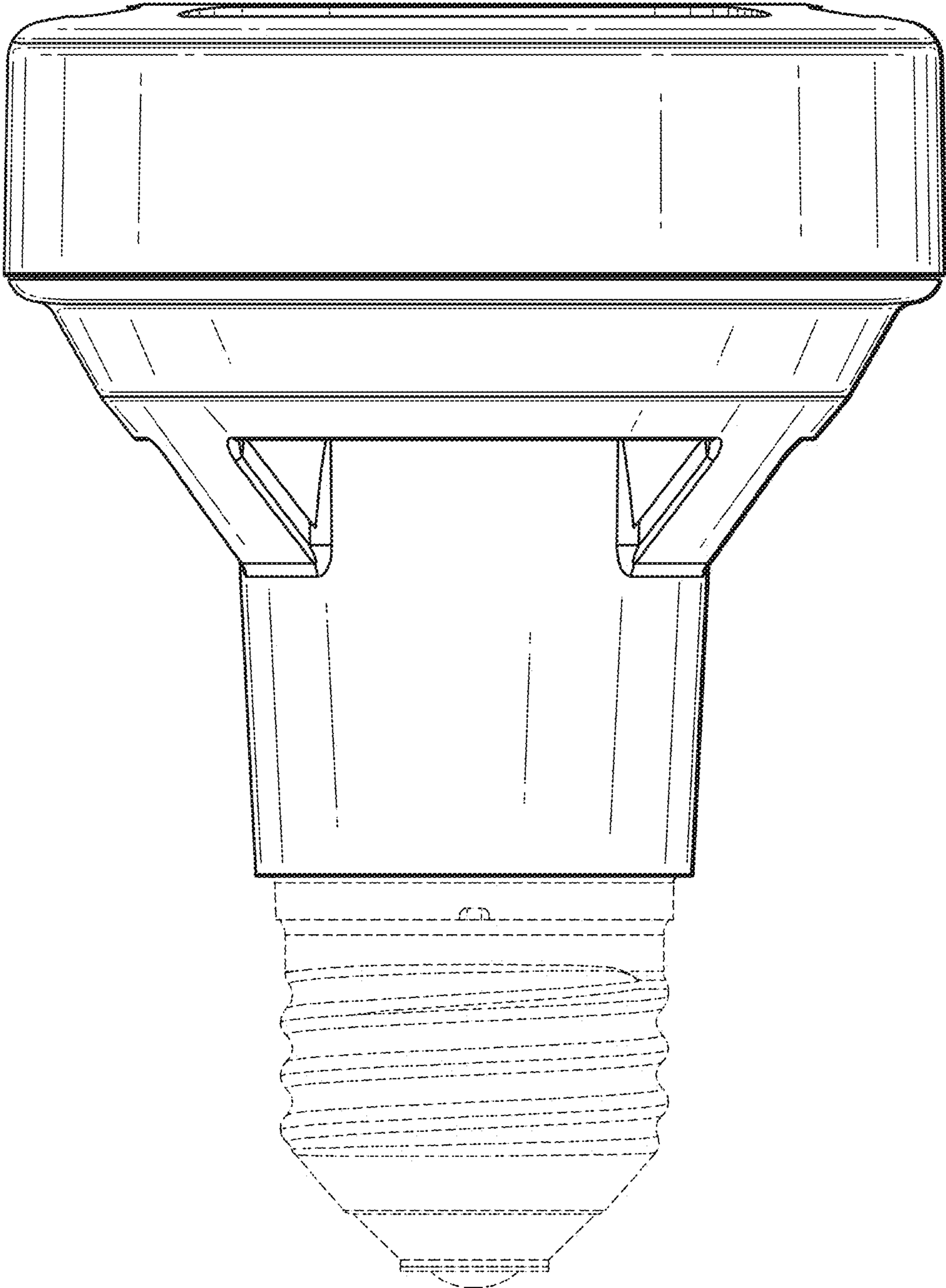


FIG. 13

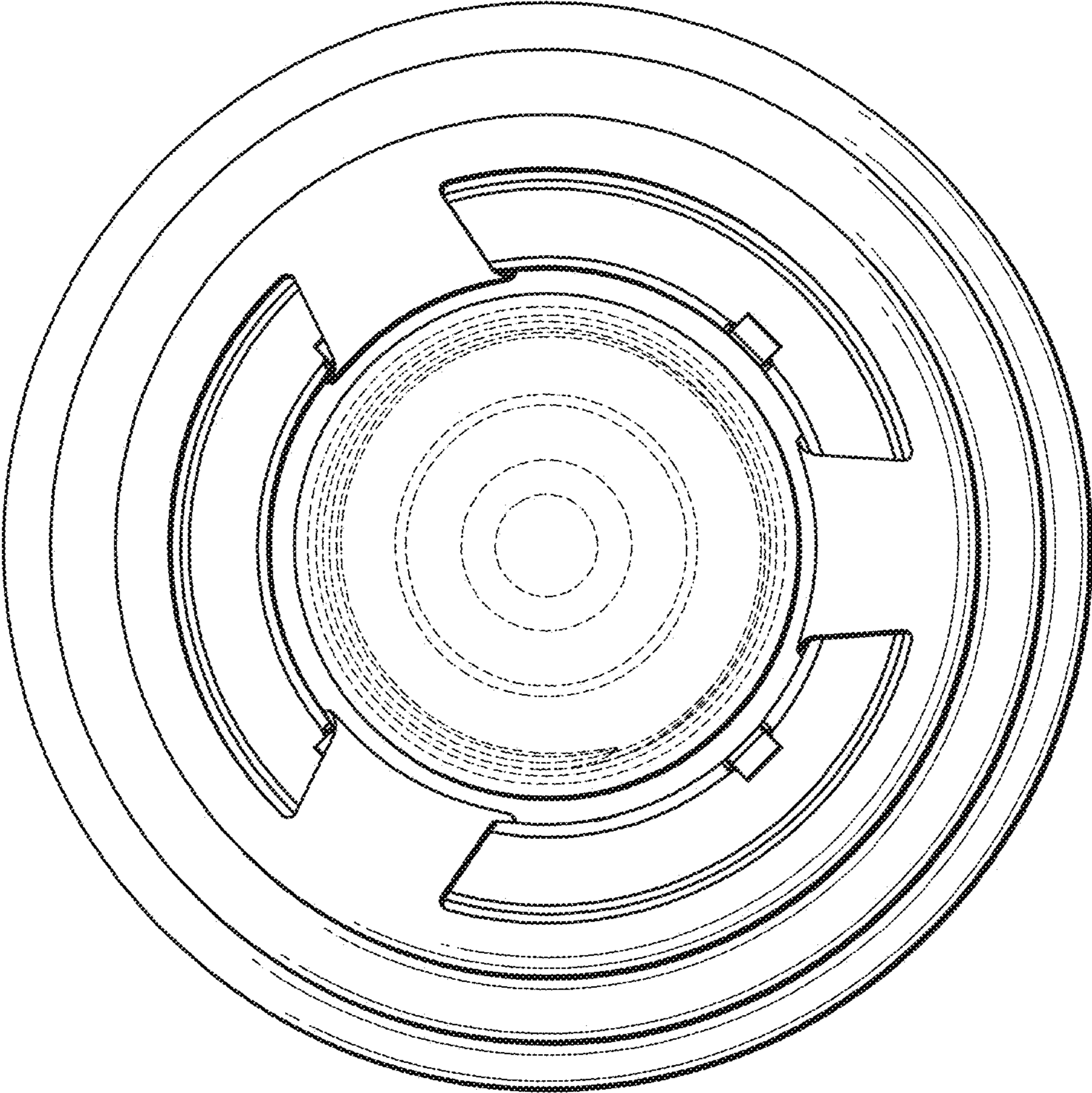


FIG. 14

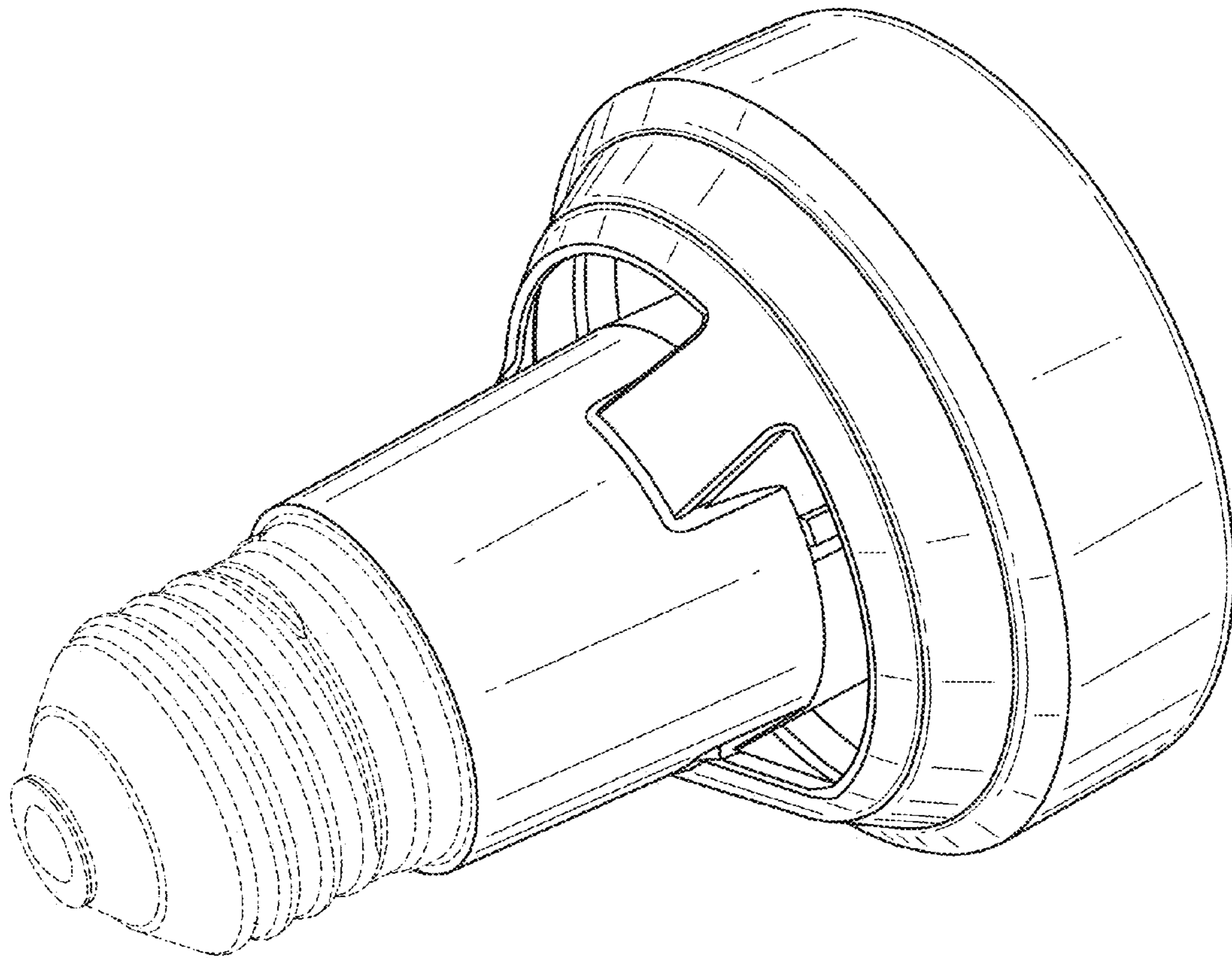


FIG. 15

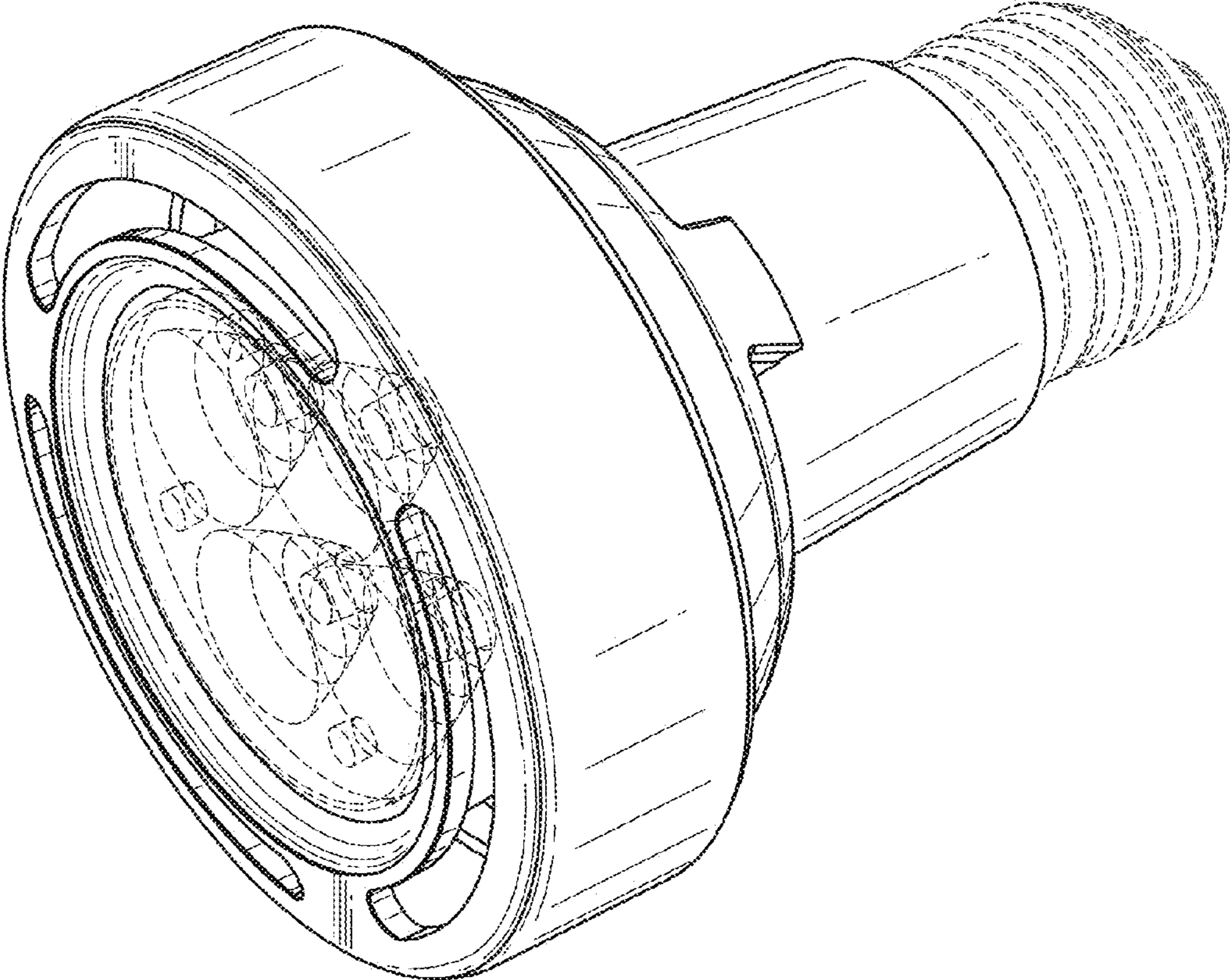


FIG. 16

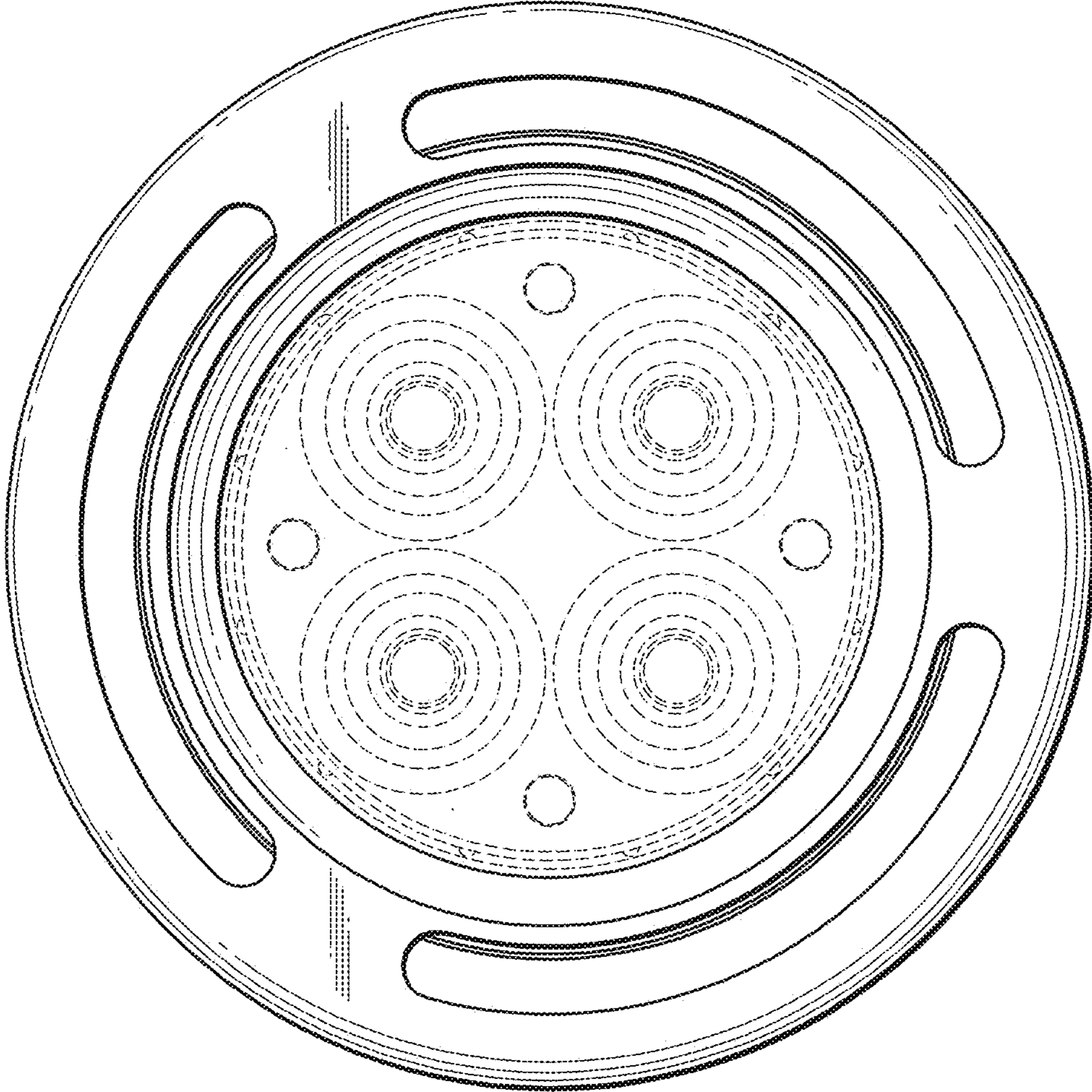


FIG. 17

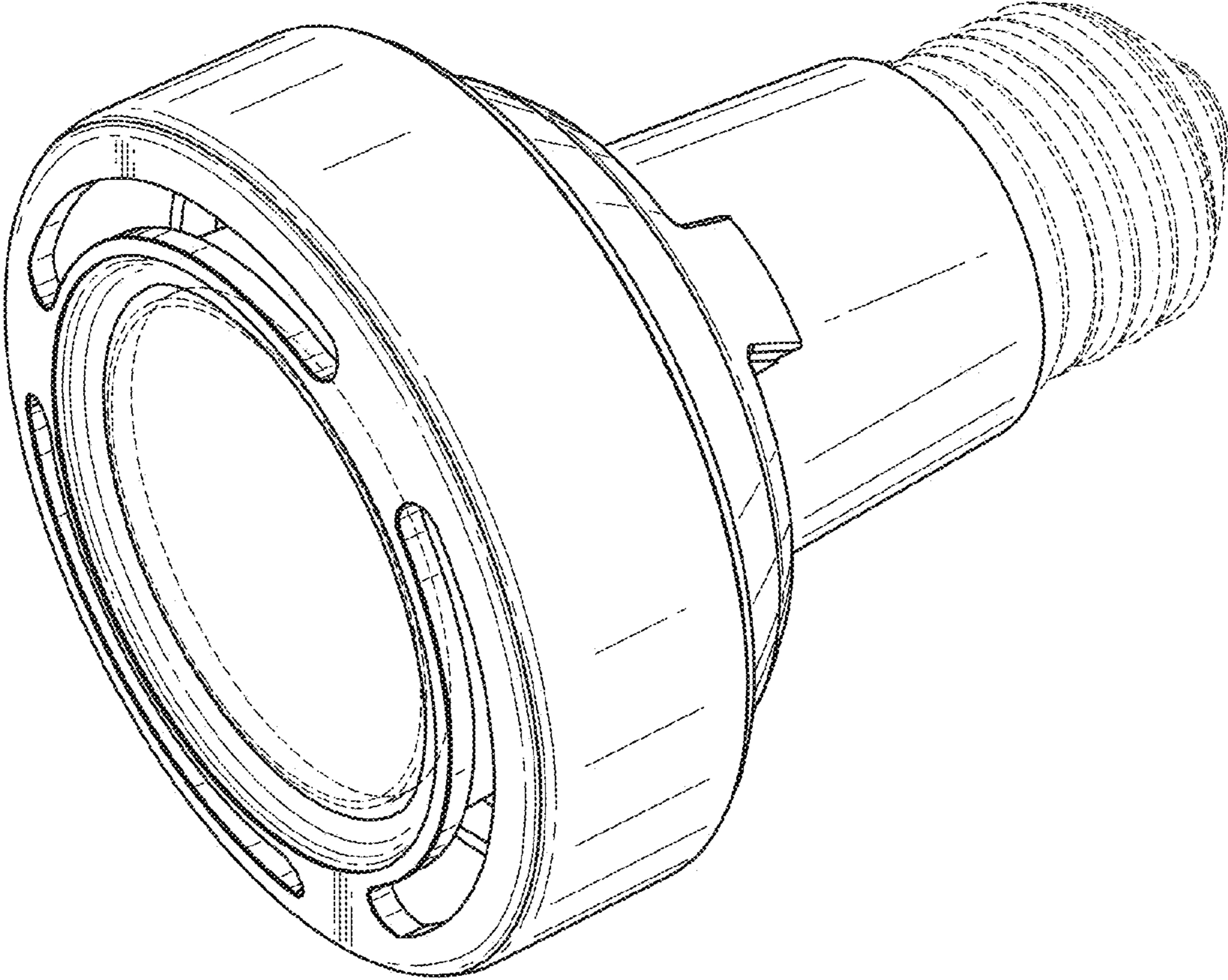


FIG. 18

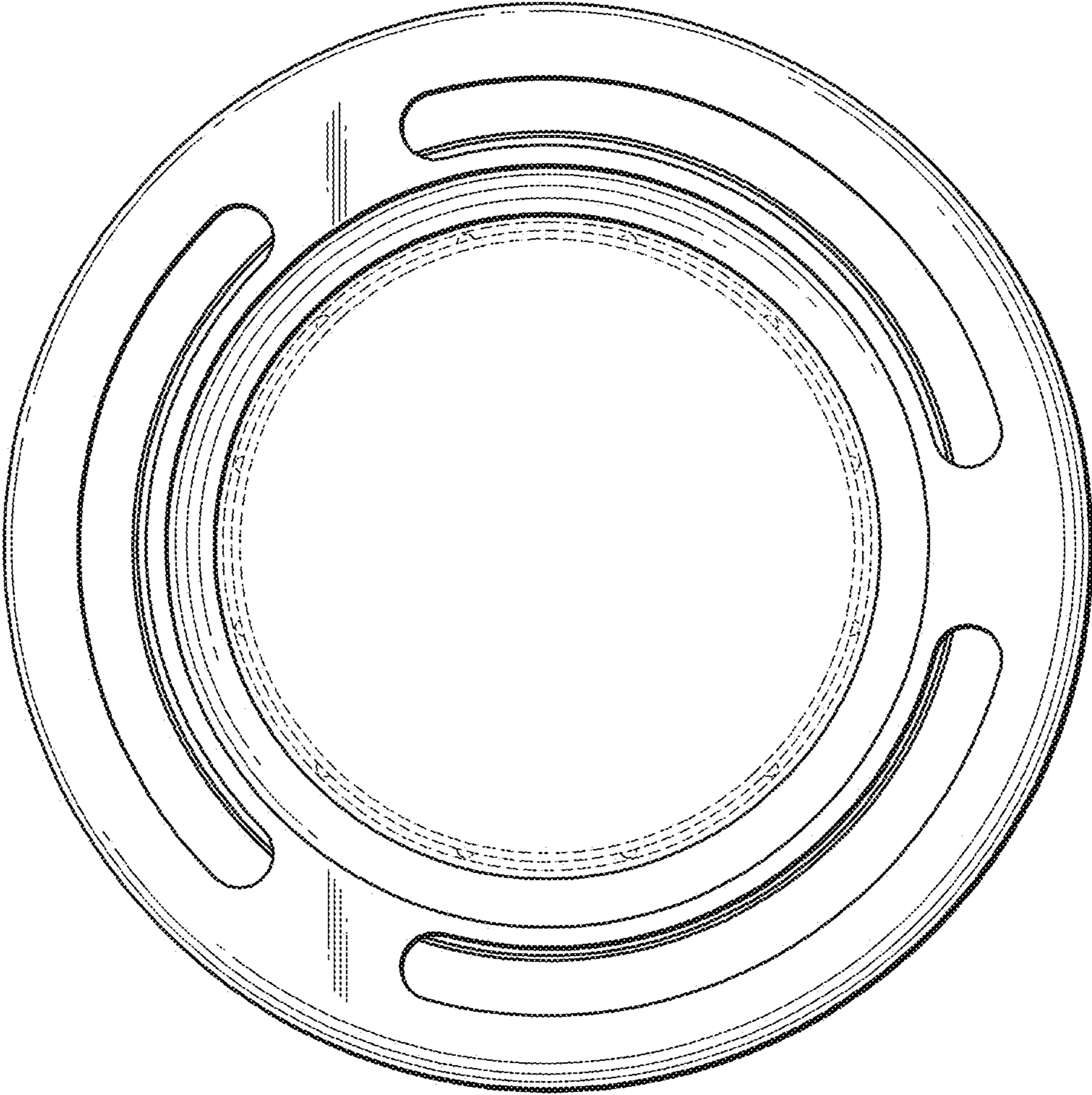


FIG. 19