



US00D744120S

(12) **United States Design Patent**  
**Fontijn**

(10) **Patent No.:** **US D744,120 S**

(45) **Date of Patent:** **\*\* Nov. 24, 2015**

(54) **MINIMAL POST-LESS SLIDING CORNER SYSTEM**

(71) Applicant: **Goldbrecht Inc.**, Culver City, CA (US)

(72) Inventor: **Marcel Fontijn**, West Hollywood, CA (US)

(73) Assignee: **GOLDBRECHT INC.**, Culver City, CA (US)

(\*\*) Term: **14 Years**

(21) Appl. No.: **29/475,966**

(22) Filed: **Dec. 9, 2013**

(51) **LOC (10) Cl.** ..... **25-01**

(52) **U.S. Cl.**  
USPC ..... **D25/164**

(58) **Field of Classification Search**  
USPC ..... D5/1, 2, 3, 44, 58, 60, 99; D6/332;  
D25/58, 113, 114, 115, 136, 138, 139,  
D25/140-144, 153, 156, 157, 159, 163, 164,  
D25/199  
CPC ..... E04B 1/62; E04B 1/68; E04B 2/08;  
E04B 2/18; E04B 2/28; E04B 2/30; E04B  
2002/0215; E04B 2002/0297; E04C 5/04;  
E06B 9/01  
See application file for complete search history.

(56) **References Cited**

**U.S. PATENT DOCUMENTS**

D332,148	S	*	12/1992	Tal et al.	.....	D25/138
D440,327	S	*	4/2001	Keating et al.	.....	D25/138
6,474,033	B1	*	11/2002	Luchini et al.	.....	52/426
6,626,414	B1	*	9/2003	Murphy	.....	249/152
6,631,600	B2	*	10/2003	Schiedegger et al.	.....	52/658
D485,916	S	*	1/2004	Park	.....	D25/119
D491,279	S	*	6/2004	Barnett	.....	D25/119

D491,280	S	*	6/2004	Barnett	.....	D25/119
D491,281	S	*	6/2004	Barnett	.....	D25/119
7,373,762	B2	*	5/2008	Hubbard	.....	52/281
D662,329	S	*	6/2012	Arko et al.	.....	D6/332
D669,694	S	*	10/2012	Yoo et al.	.....	D6/332
D689,206	S	*	9/2013	Ellsworth	.....	D25/125
D721,444	S	*	1/2015	Schwarz et al.	.....	D25/139
8,943,773	B2	*	2/2015	Jensen	.....	52/395
8,950,135	B2	*	2/2015	Gaudreau et al.	.....	52/288.1
D728,767	S	*	5/2015	Blahnik et al.	.....	D23/365
2007/0137129	A1	*	6/2007	Sondermann	.....	52/395

\* cited by examiner

*Primary Examiner* — Karen S Acker

*Assistant Examiner* — Amy Wierenga

(74) *Attorney, Agent, or Firm* — Sughrue Mion, PLLC

(57) **CLAIM**

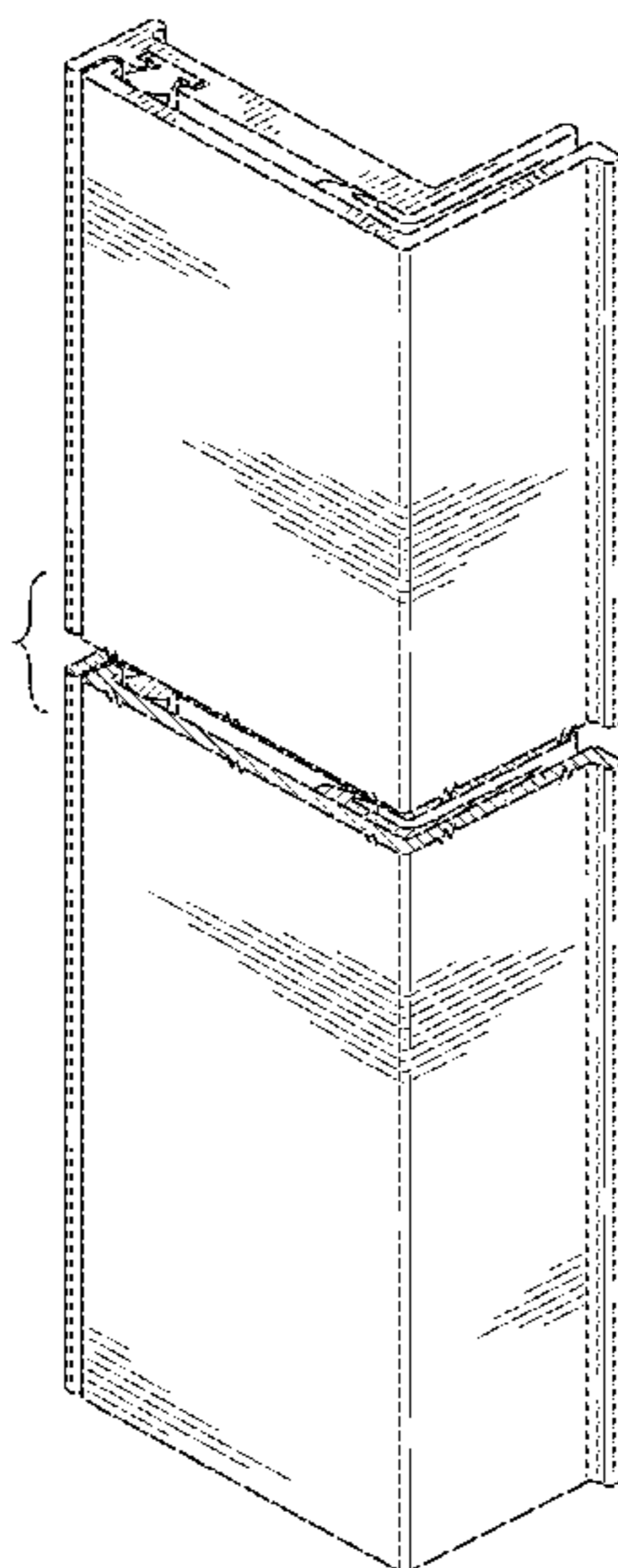
The ornamental design for a minimal post-less sliding corner system, as shown and described.

**DESCRIPTION**

FIG. 1 is a perspective view of a minimal post-less sliding corner system;  
FIG. 2 is a right side view thereof;  
FIG. 3 is a left side view thereof;  
FIG. 4 is a back view thereof;  
FIG. 5 is a front view thereof;  
FIG. 6 is a top view thereof;  
FIG. 7 is a bottom view thereof; and,  
FIG. 8 is an exploded perspective view thereof. The broken lines showing a door or window glass panel depict environmental subject matter that forms no part of the claimed design.

The minimal post-less sliding corner system is shown with a symbolic break in its length drawn in zigzag lines. Any portion of the article between the break lines forms no part of the claimed design.

**1 Claim, 5 Drawing Sheets**



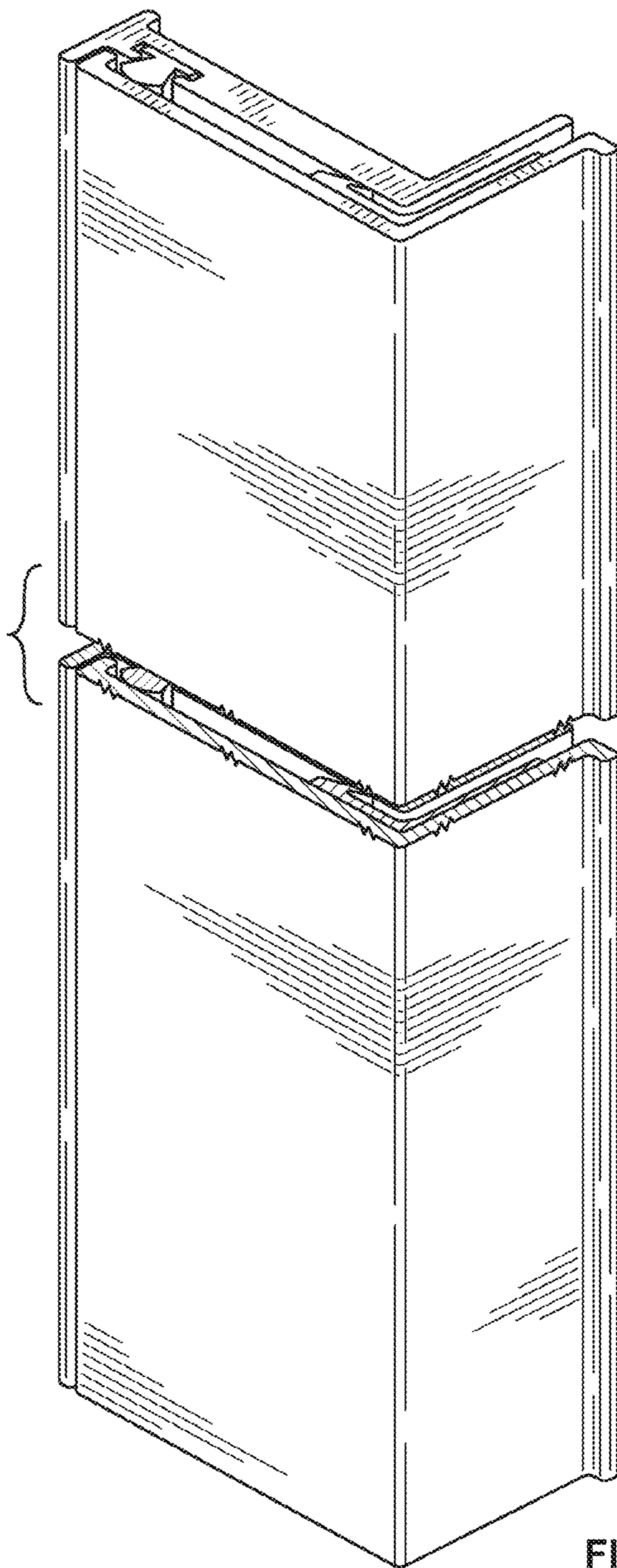


FIG. 1

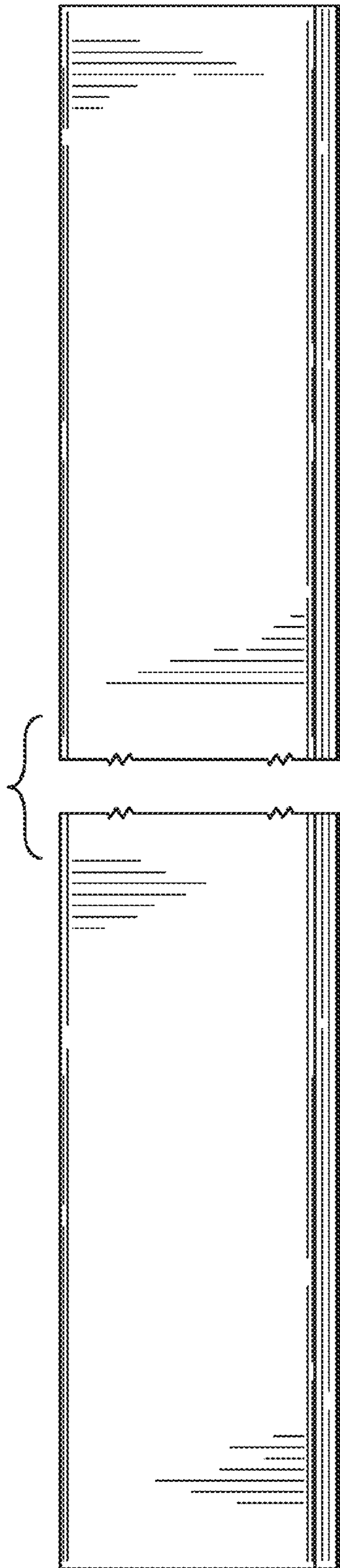


FIG. 2

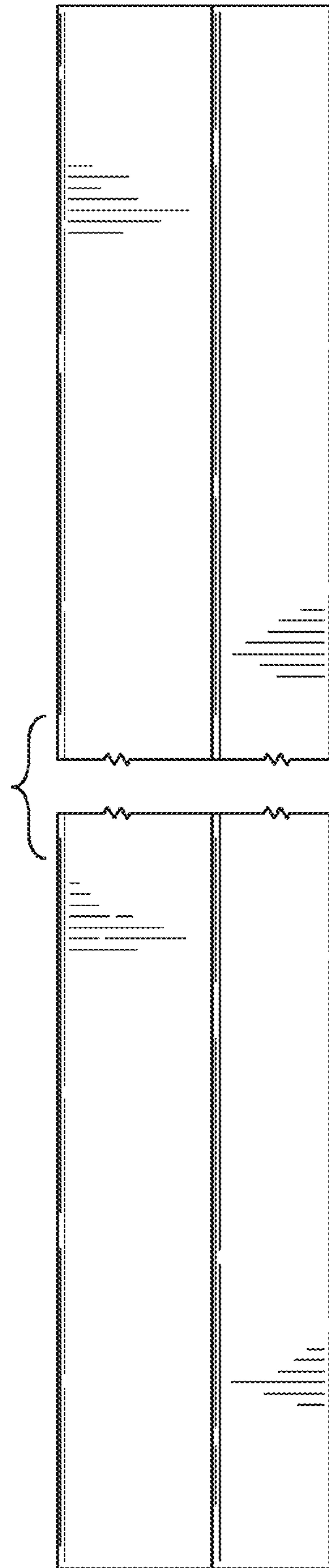


FIG. 3

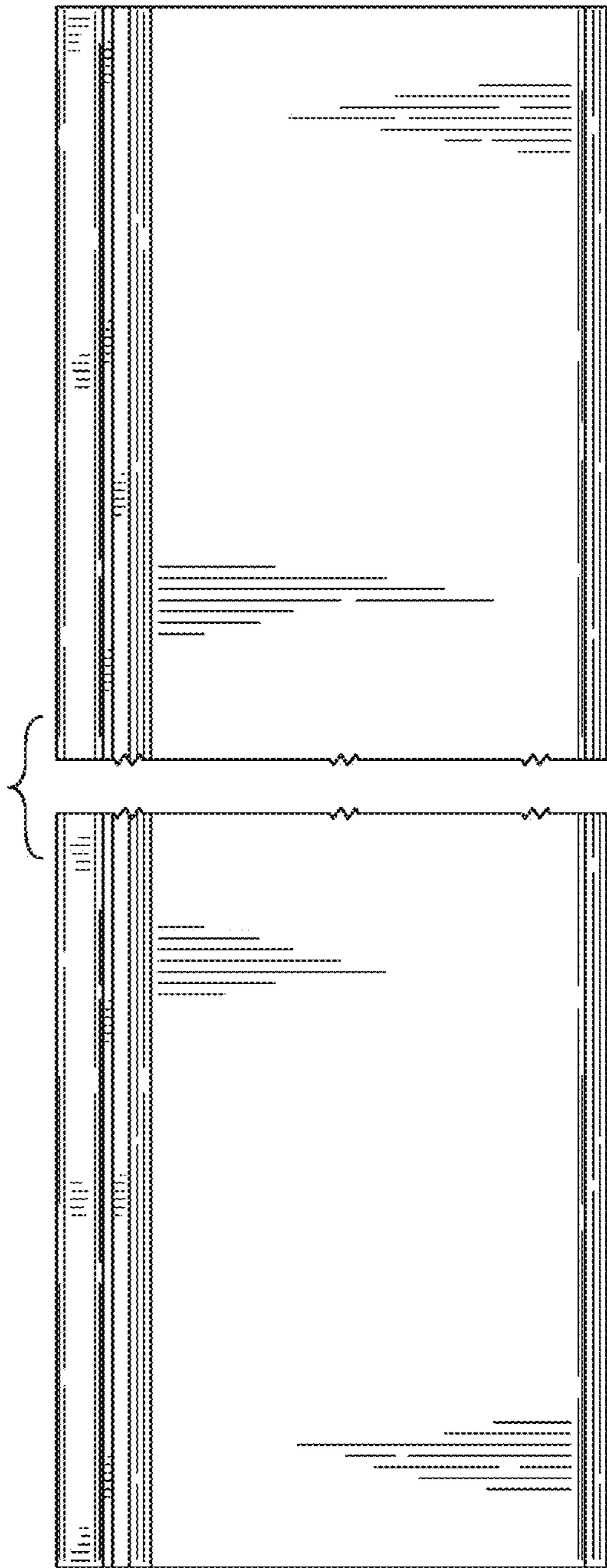


FIG. 4

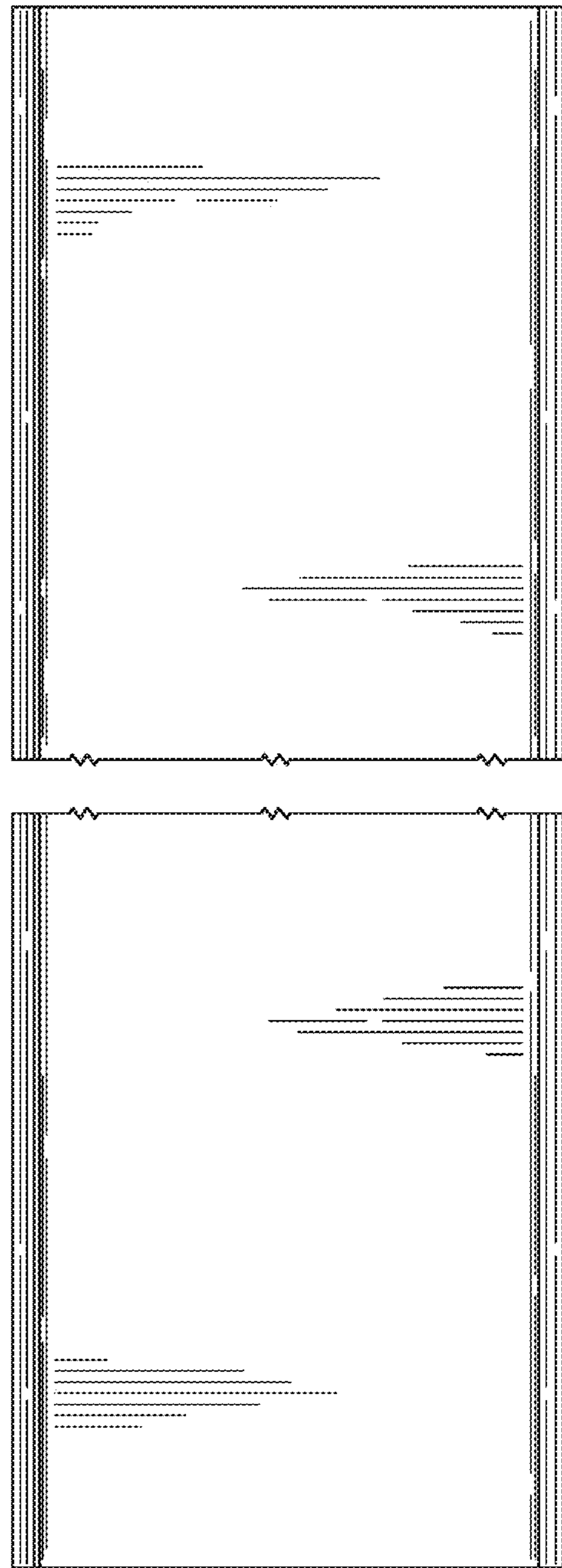


FIG. 5

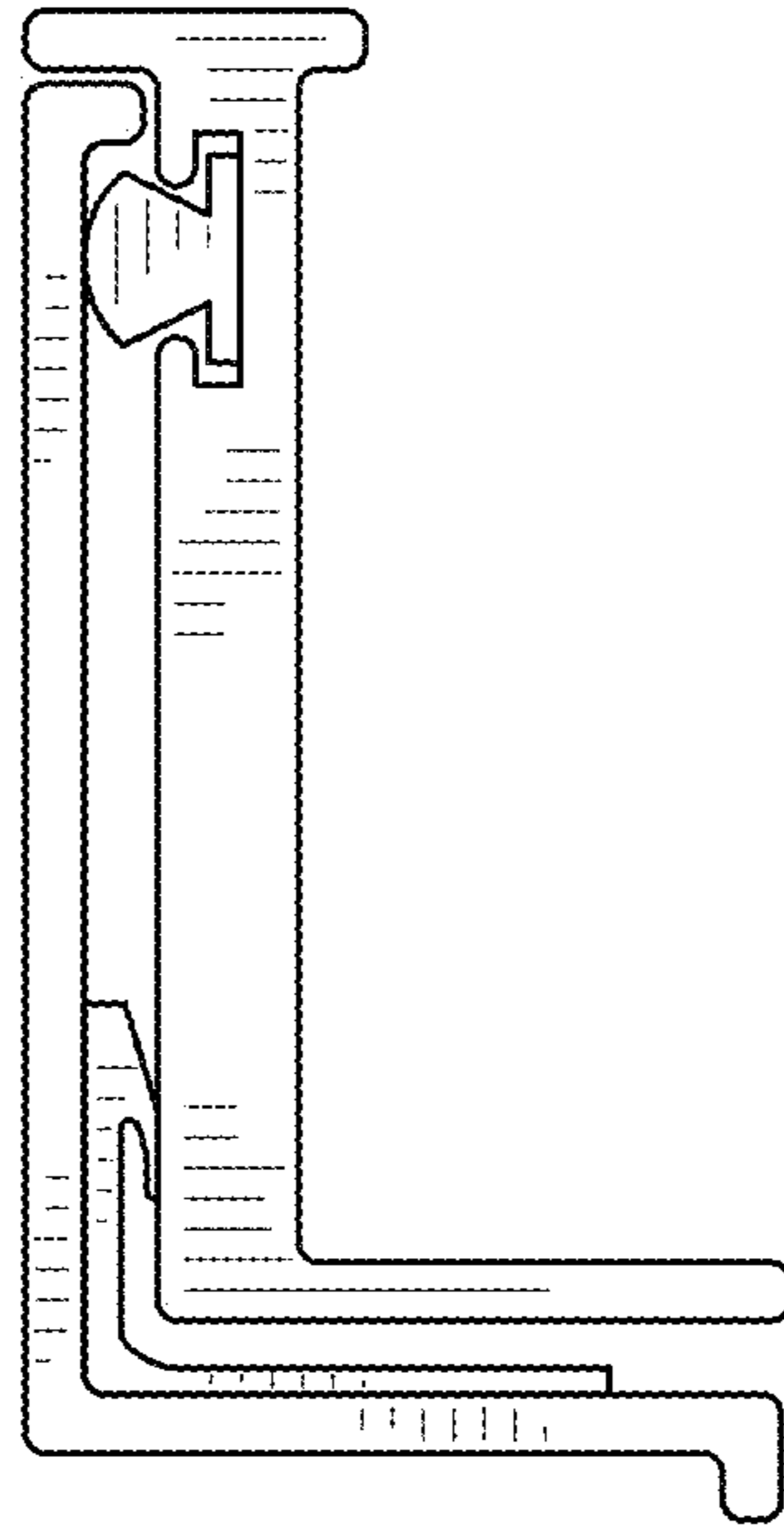


FIG. 6

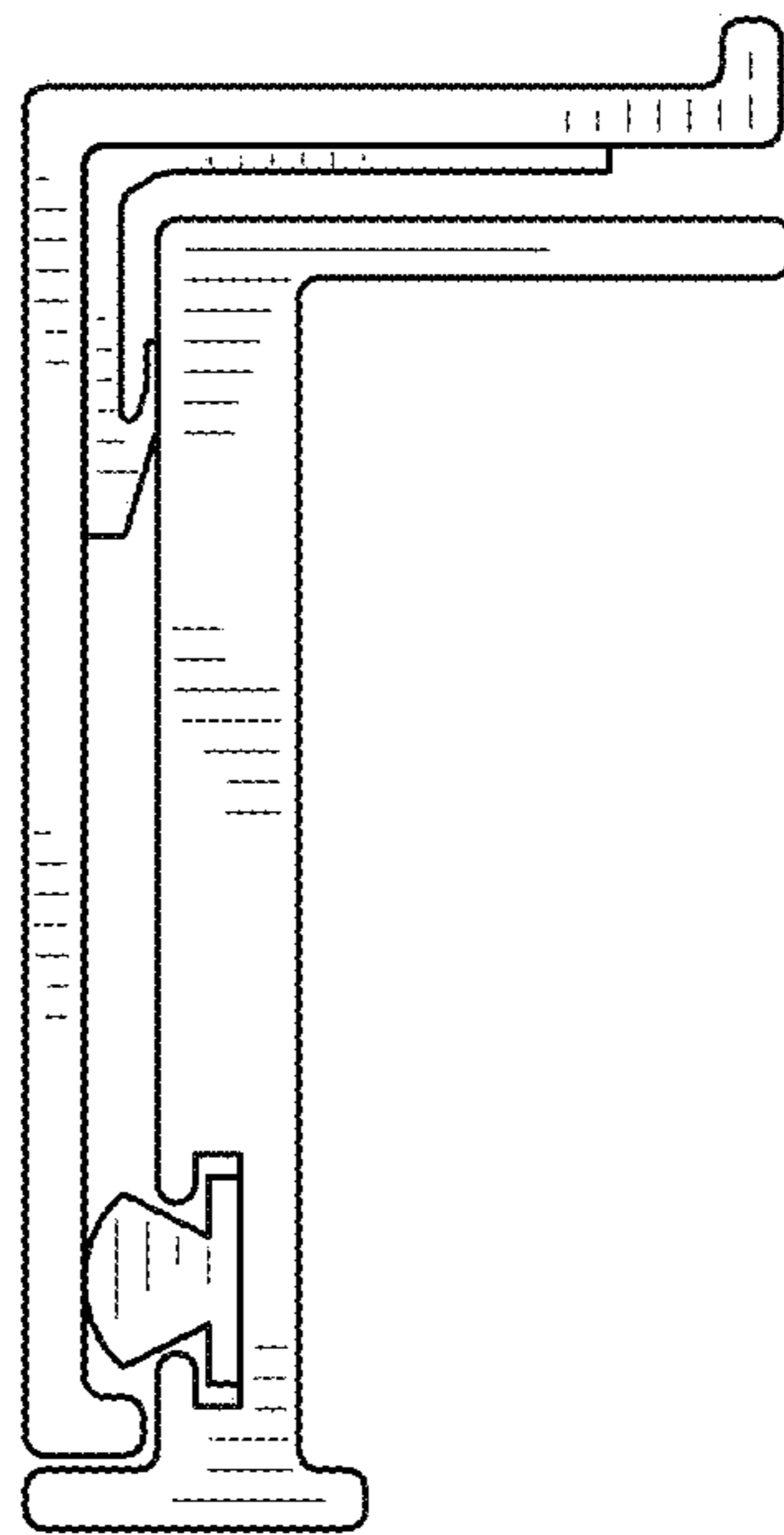


FIG. 7

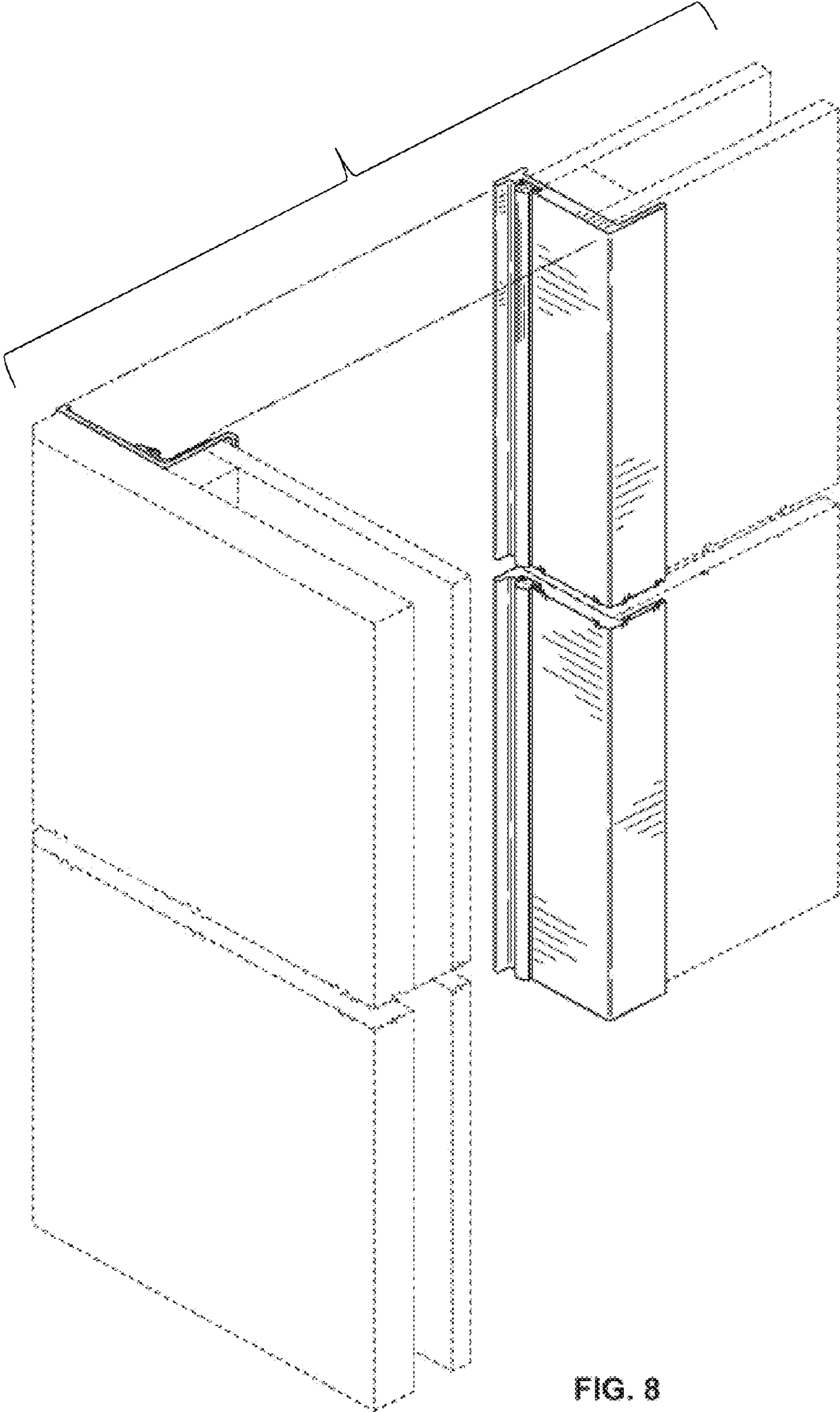


FIG. 8