



US00D744109S

(12) **United States Design Patent**  
**Yoneta et al.**

(10) **Patent No.:** **US D744,109 S**  
(45) **Date of Patent:** **\*\* Nov. 24, 2015**

(54) **BIOMEDICAL SIGNAL RECORDER WITH A RADIO FUNCTION**

(71) Applicant: **Kabushiki Kaisha Toshiba**, Minato-ku, Tokyo (JP)

(72) Inventors: **Kousuke Yoneta**, Tokyo (JP); **Masaaki Kurata**, Waho (JP)

(73) Assignee: **Kabushiki Kaisha Toshiba**, Minato-ku, Tokyo (JP)

(\*\*) Term: **14 Years**

(21) Appl. No.: **29/485,807**

(22) Filed: **Mar. 24, 2014**

(30) **Foreign Application Priority Data**

Sep. 25, 2013 (JP) ..... 2013-022112

(51) **LOC (10) Cl.** ..... **24-99**

(52) **U.S. Cl.**  
USPC ..... **D24/186**

(58) **Field of Classification Search**  
USPC ..... D14/300–302, 314, 348–370, 383–385,  
D14/435, 496, 125, 135, 155, 240–242,  
D14/299; D3/273; D9/432; D10/65, 75, 78;  
D13/103, 119, 162, 184, 199;  
D24/186, 187  
CPC .. G11B 33/027; G11B 33/122; G11B 33/124;  
G11B 33/022; G11B 33/025  
See application file for complete search history.

(56) **References Cited**

**U.S. PATENT DOCUMENTS**

D379,456 S \* 5/1997 Osiecki ..... D14/167  
D455,405 S \* 4/2002 Bonn ..... D13/158  
D526,990 S \* 8/2006 Slevin et al. .... D14/149  
D546,952 S \* 7/2007 May ..... D24/186  
D559,987 S \* 1/2008 Strother et al. .... D24/187  
D571,855 S \* 6/2008 Law et al. .... D19/10

D577,721 S \* 9/2008 O'Neil ..... D14/358  
D578,222 S \* 10/2008 Sakurai et al. .... D24/187  
D595,415 S \* 6/2009 Fukuzawa ..... D24/186  
D597,211 S \* 7/2009 Ewing et al. .... D24/187  
D598,553 S \* 8/2009 Potts et al. .... D24/187  
D626,952 S \* 11/2010 Ding ..... D14/242  
D631,552 S \* 1/2011 Kasabach et al. .... D24/186  
D645,910 S \* 9/2011 Foster et al. .... D21/333  
D645,968 S \* 9/2011 Kasabach et al. .... D24/186

(Continued)

**FOREIGN PATENT DOCUMENTS**

JP 1354010 3/2009  
JP 1459353 1/2013

*Primary Examiner* — Karen E Kearney

*Assistant Examiner* — Nathaniel D Buckner

(74) *Attorney, Agent, or Firm* — Banner & Witcoff, Ltd.

(57) **CLAIM**

The ornamental design for a biomedical signal recorder with a radio function, as shown and described.

**DESCRIPTION**

FIG. 1 is a front, bottom and right side perspective view of a biomedical signal recorder with a radio function, showing our new design;

FIG. 2 is a rear, top and left side perspective view thereof;

FIG. 3 is a front view thereof;

FIG. 4 is a rear view thereof;

FIG. 5 is a left side view thereof;

FIG. 6 is a right side view thereof;

FIG. 7 is a top view thereof;

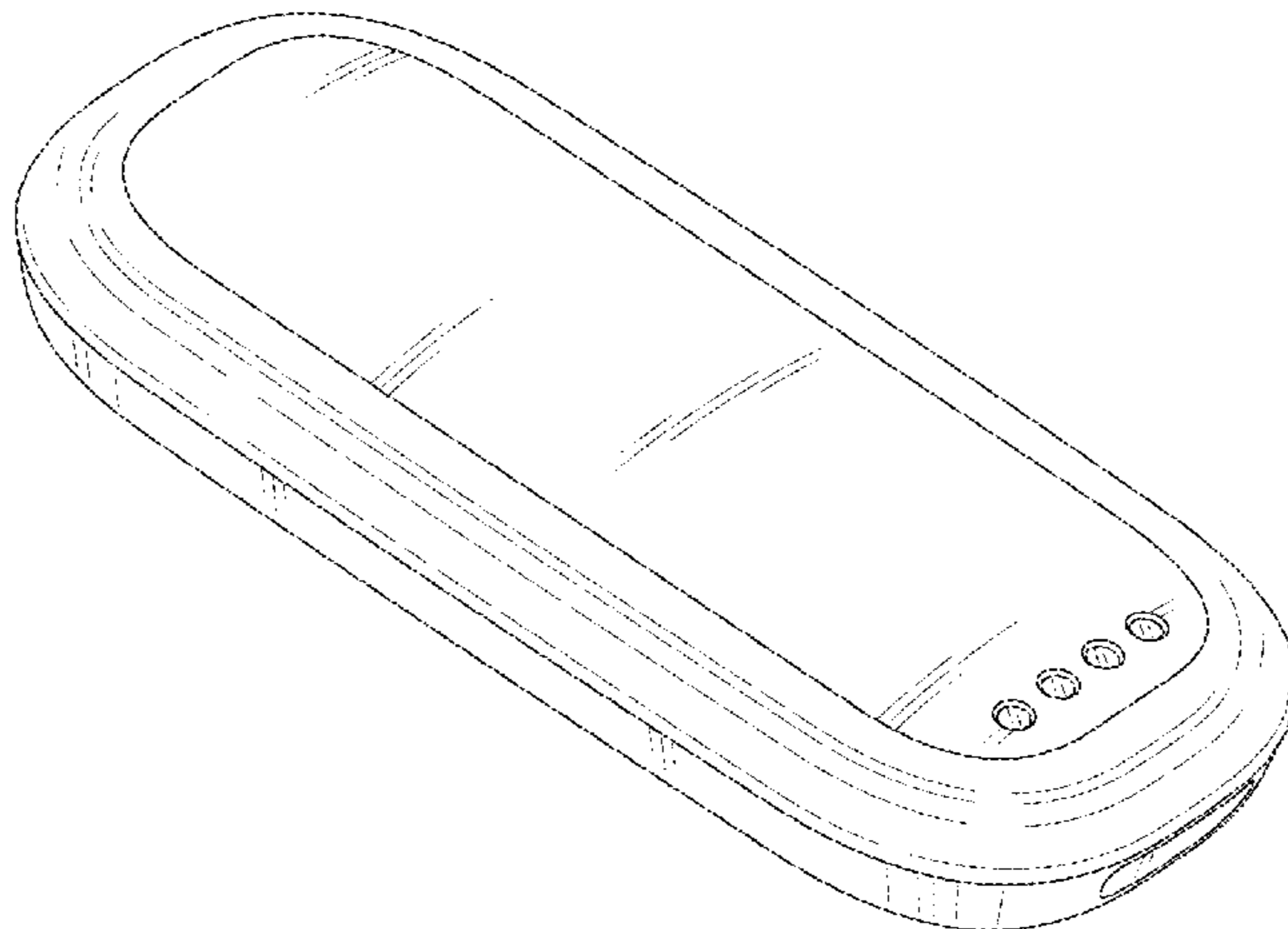
FIG. 8 is a bottom view thereof;

FIG. 9 is an enlarged sectional view thereof taken along the line 9-9 in FIG. 3; and,

FIG. 10 is an enlarged sectional view thereof taken along the line 10-10 in FIG. 8.

The broken lines in the figures represent portions of the article which form no part of the claim.

**1 Claim, 7 Drawing Sheets**



(56)

**References Cited**

U.S. PATENT DOCUMENTS

D665,085	S *	8/2012	Strother et al. ....	D24/187	2012/0089001	A1 *	4/2012	Bishay et al. ....	600/391
D701,964	S *	4/2014	Yoneta et al. ....	D24/187	2012/0101350	A1 *	4/2012	Bychkov ....	600/324
D717,960	S *	11/2014	Einck et al. ....	D24/187	2012/0271121	A1 *	10/2012	Della Torre et al. ....	600/301
D719,939	S *	12/2014	Liang et al. ....	D14/240	2013/0116534	A1 *	5/2013	Woo ....	600/391
D720,336	S *	12/2014	Ervin et al. ....	D14/240	2014/0128710	A1 *	5/2014	Nakamura et al. ....	600/390
2007/0167850	A1 *	7/2007	Russell et al. ....	600/513	2014/0128757	A1 *	5/2014	Banet et al. ....	600/513
2012/0029316	A1 *	2/2012	Raptis et al. ....	600/301	2014/0172040	A1 *	6/2014	Bauer ....	607/42
					2014/0174958	A1 *	6/2014	Martinez et al. ....	206/37
					2015/0148619	A1 *	5/2015	Berg et al. ....	600/301

\* cited by examiner

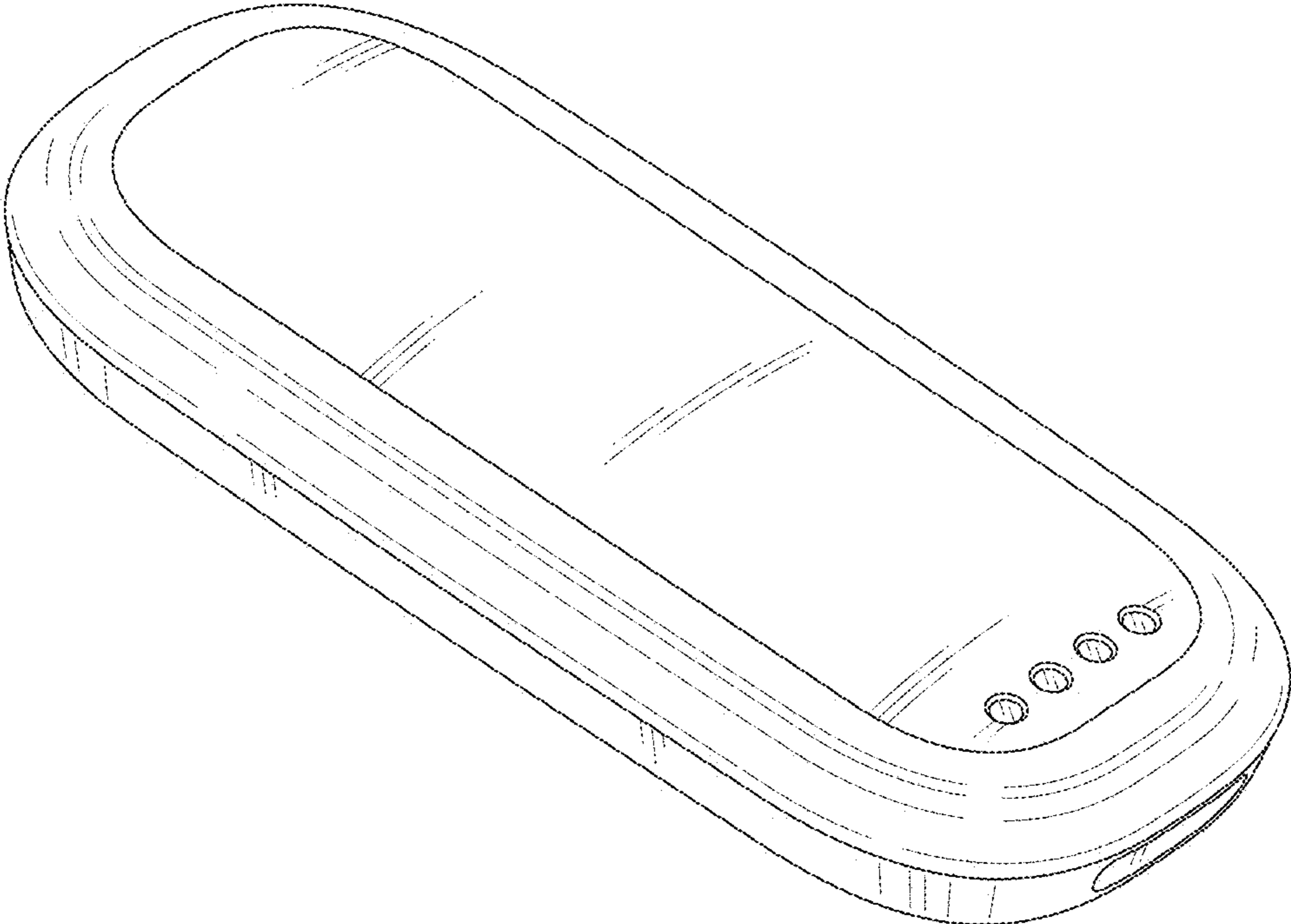


FIG. 1

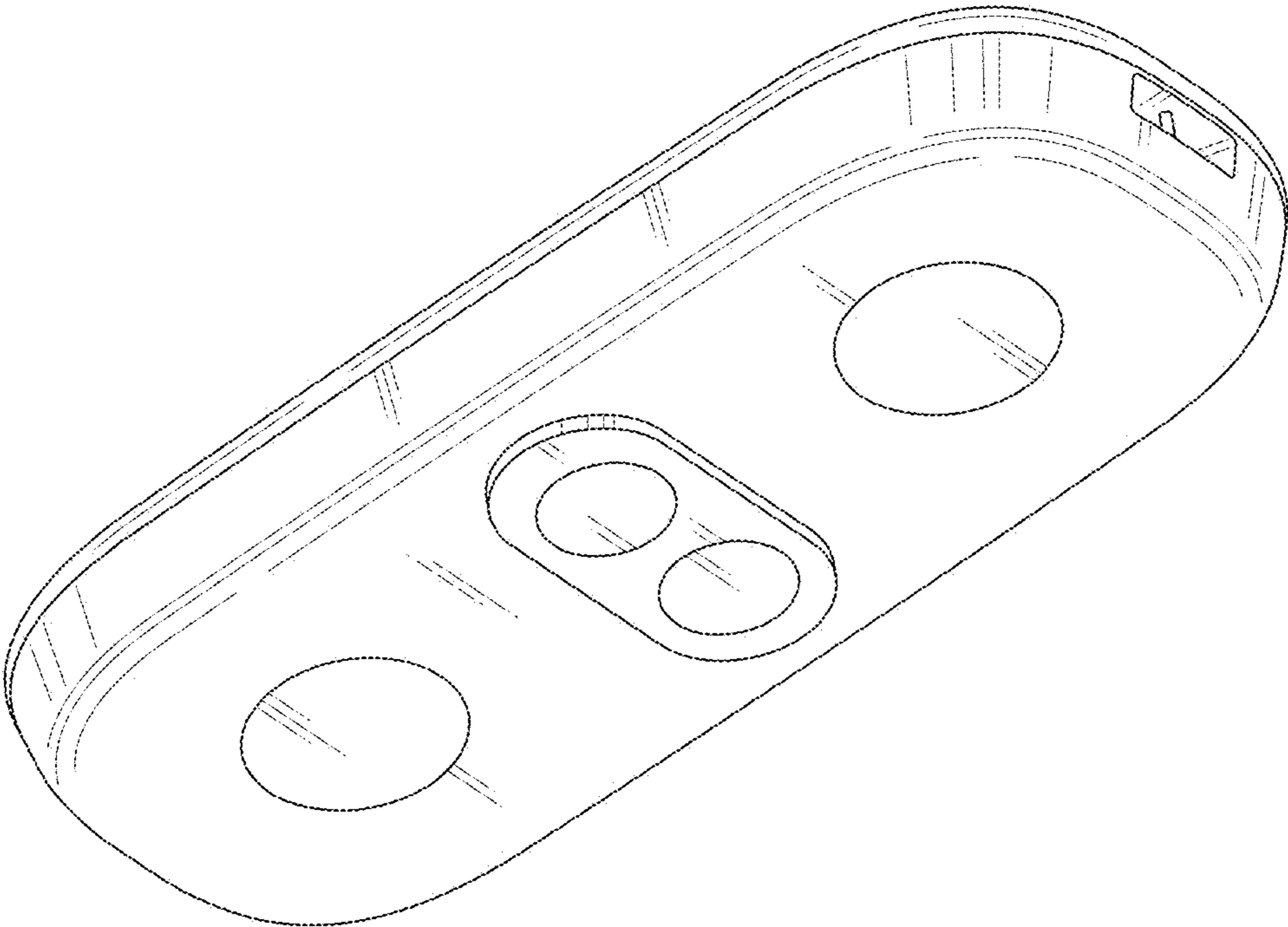


FIG. 2

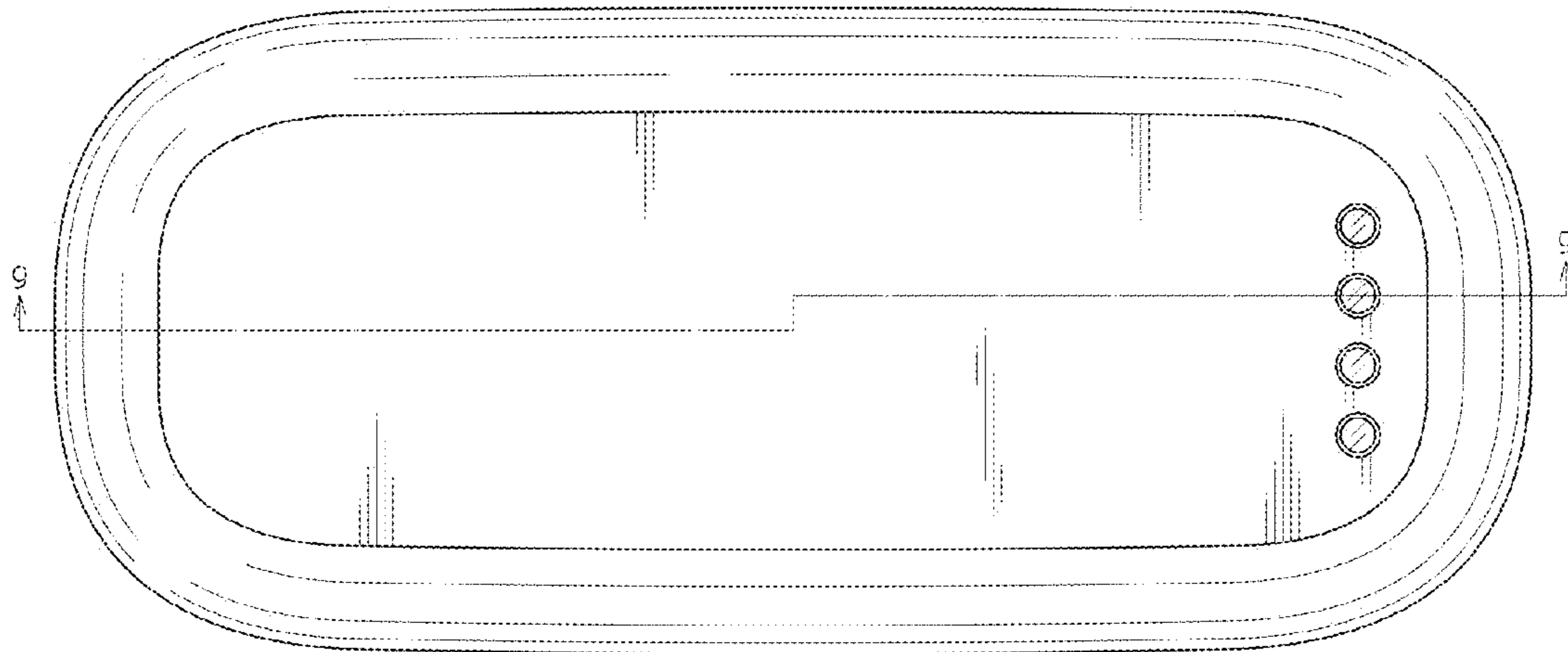


FIG. 3

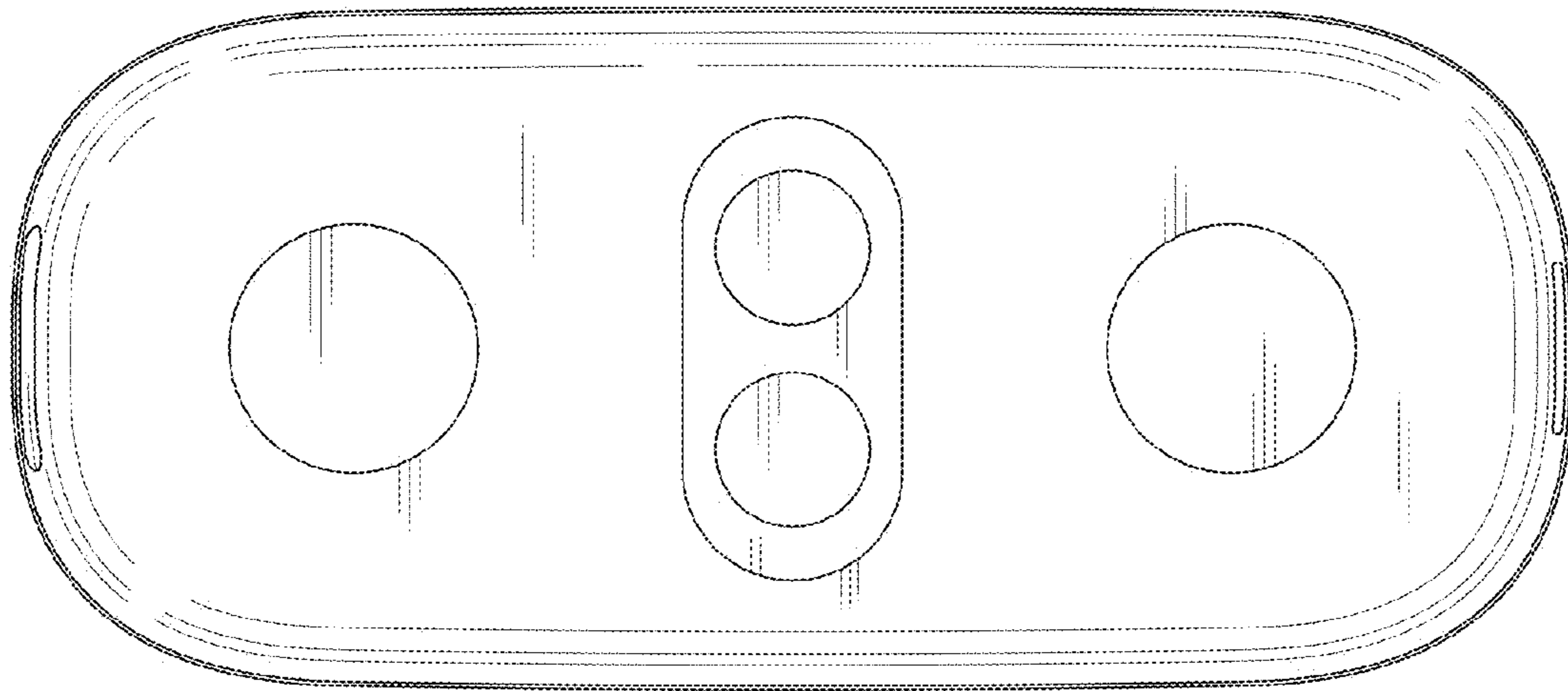


FIG. 4

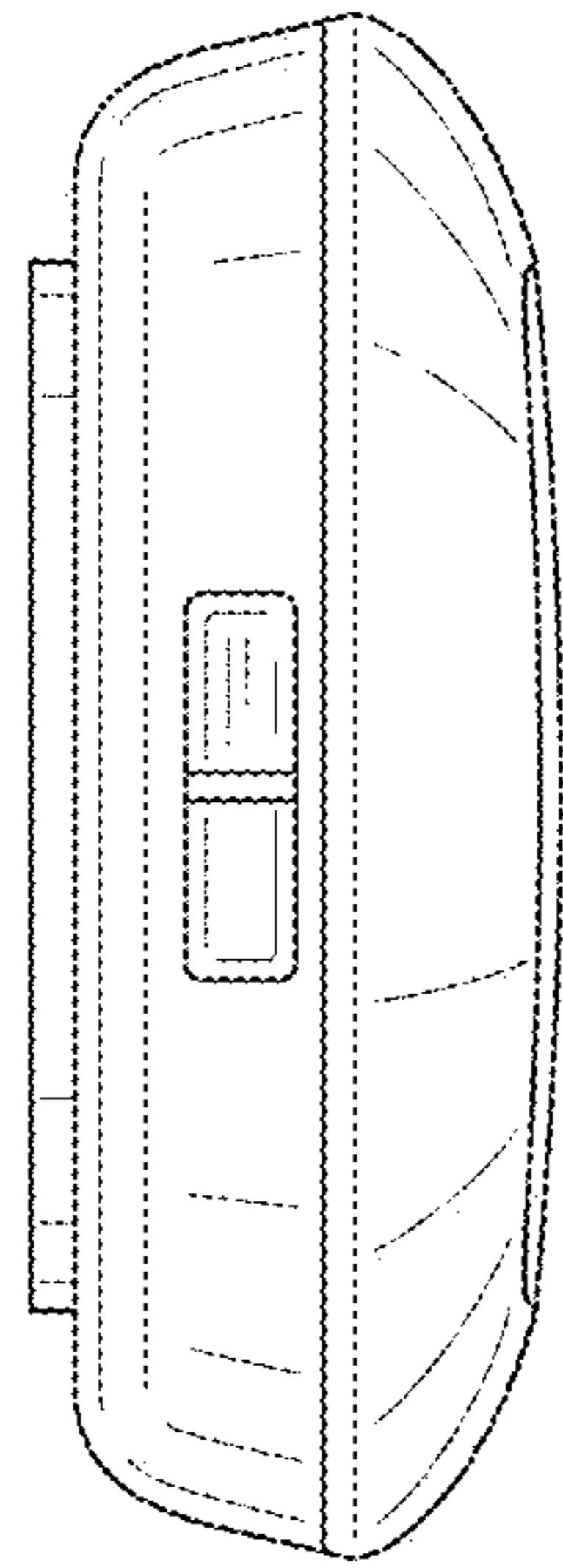


FIG. 5

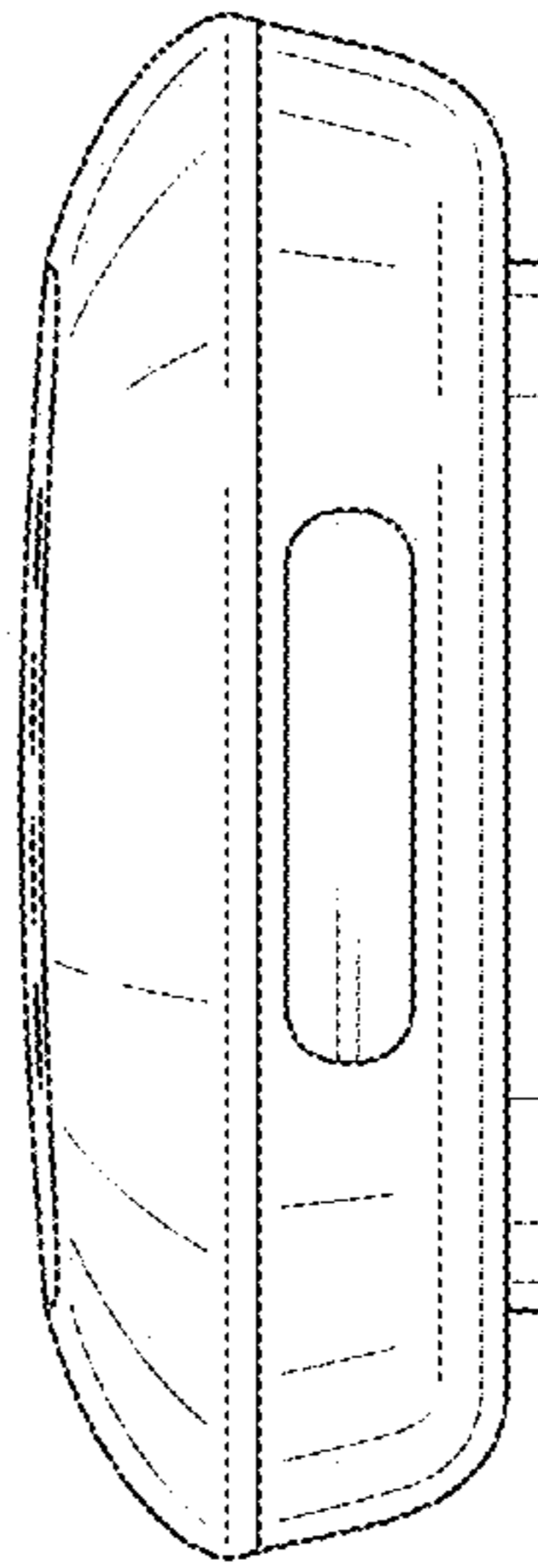


FIG. 6

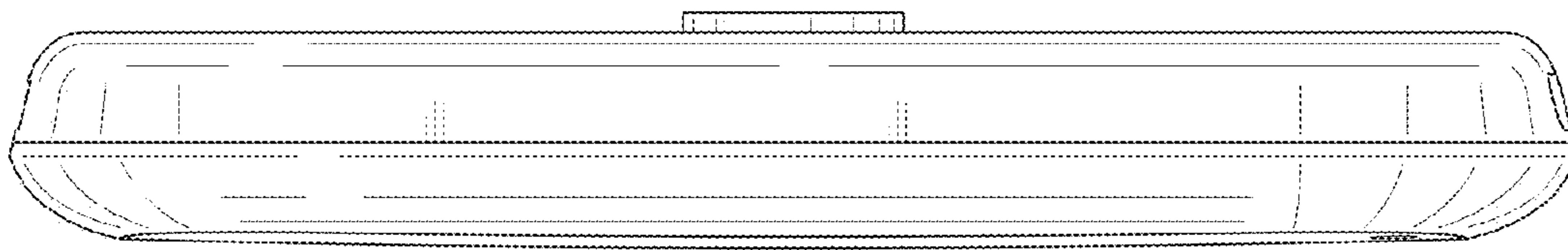
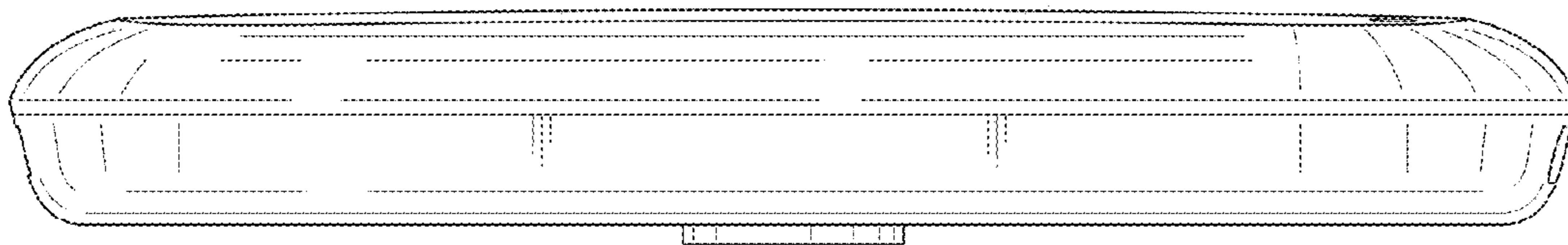


FIG. 7

10 ←



10 ←

FIG. 8



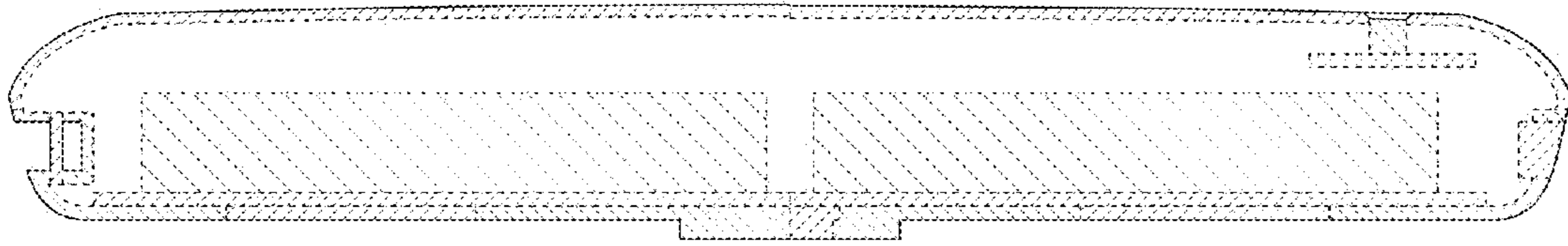


FIG. 9

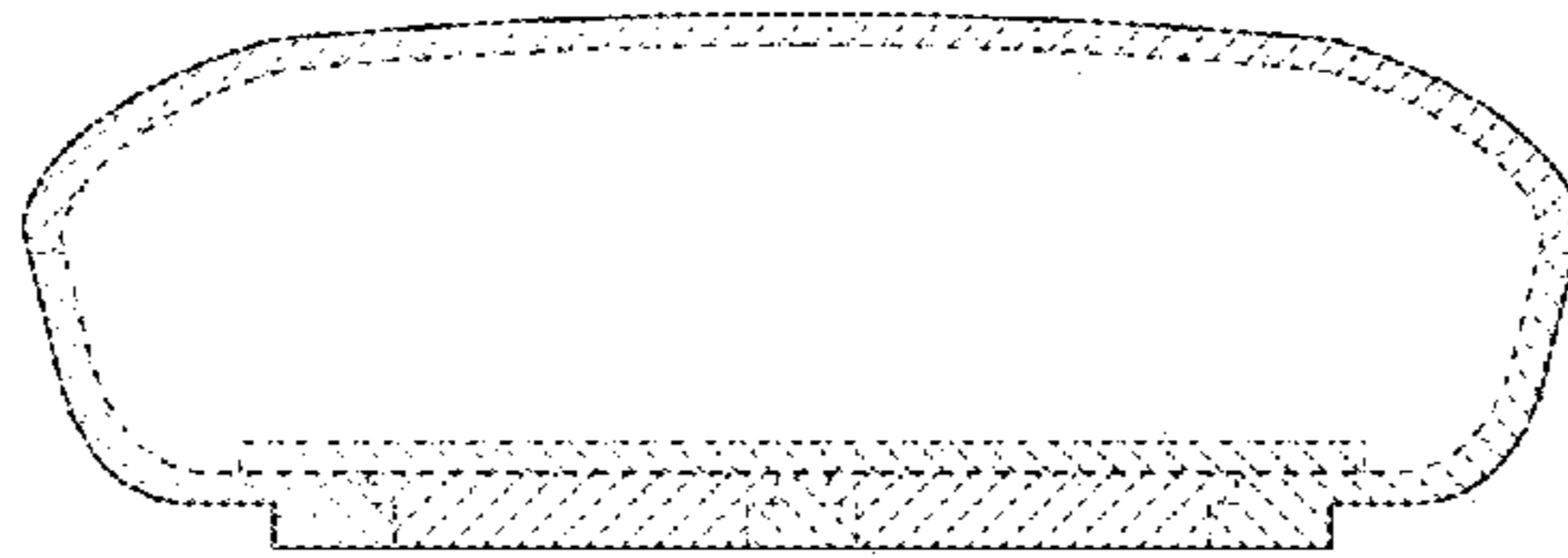


FIG. 10