



US00D744108S

(12) **United States Design Patent**
Verma et al.

(10) **Patent No.:** **US D744,108 S**

(45) **Date of Patent:** **** Nov. 24, 2015**

(54) **HUMIDIFIER RESERVOIR FOR POSITIVE AIRWAY PRESSURE DELIVERY CONSOLE**

(71) Applicant: **ResMed Limited**, Bella Vista, New South Wales (AU)

(72) Inventors: **Hargopal Verma**, Sydney (AU); **Andrew Roderick Bath**, Sydney (AU); **Justin John Formica**, Sydney (AU); **Matthew Rolf Harrington**, Sydney (AU); **Joseph Samuel Ormrod**, Sydney (AU)

(73) Assignee: **ResMed Limited**, Bella Vista (AU)

(**) Term: **14 Years**

(21) Appl. No.: **29/482,541**

(22) Filed: **Feb. 19, 2014**

(51) **LOC (10) Cl.** **24-00**

(52) **U.S. Cl.**
USPC **D24/164**

(58) **Field of Classification Search**
USPC D24/164, 110; 128/205.24, 204.21;
D23/235, 356; 137/512, 102
See application file for complete search history.

(56) **References Cited**

U.S. PATENT DOCUMENTS

D280,765 S	9/1985	Alvino	
D421,298 S *	2/2000	Kenyon et al.	D24/110
D436,401 S *	1/2001	Remes et al.	D24/164
D493,520 S *	7/2004	Bertinetti et al.	D24/110
D493,884 S *	8/2004	Virr et al.	D24/110
D544,598 S *	6/2007	Lithgow et al.	D24/110
7,237,770 B2	7/2007	Lipscombe et al.	

(Continued)

FOREIGN PATENT DOCUMENTS

EM	001312953-0001	3/2012
EM	001312953-0002	3/2012

(Continued)

OTHER PUBLICATIONS

Office Action mailed Dec. 4, 2014 in U.S. Appl. No. 29/456,477 (9 pages).

(Continued)

Primary Examiner — Holly Baynham

Assistant Examiner — Rhea Shields

(74) *Attorney, Agent, or Firm* — Nixon & Vanderhye P.C.

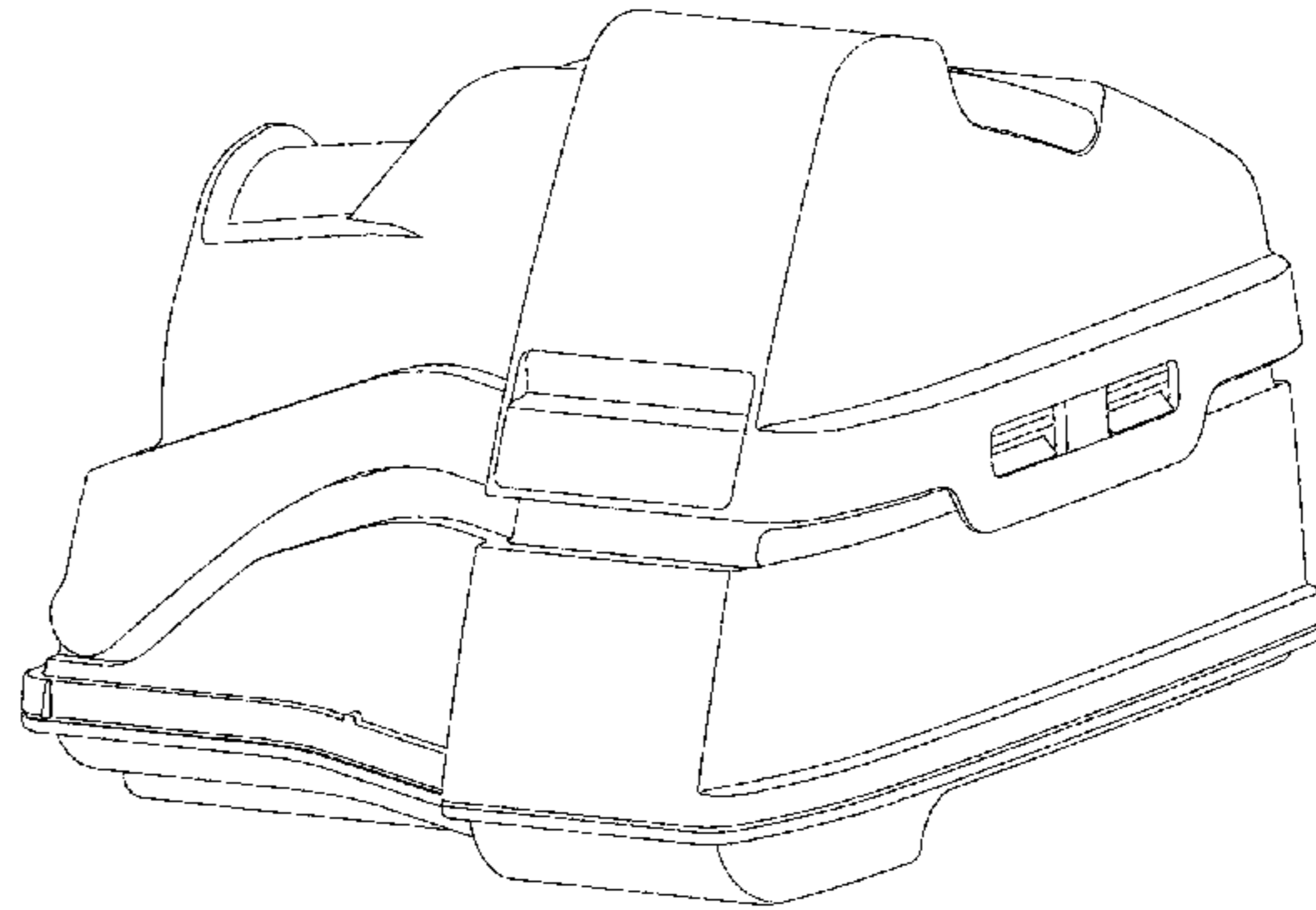
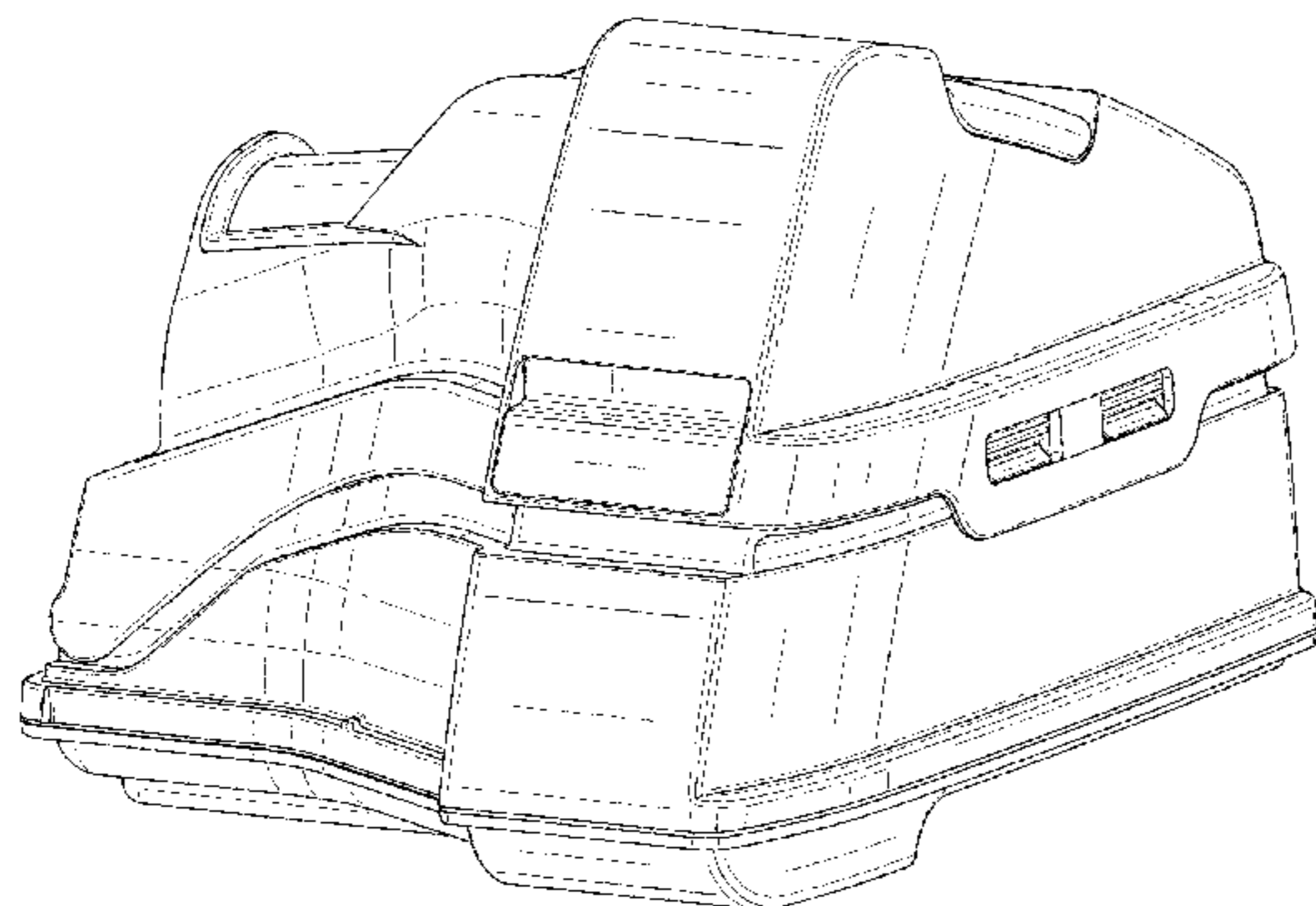
(57) **CLAIM**

The ornamental design for a humidifier reservoir for positive airway pressure delivery console, as shown and described.

DESCRIPTION

FIG. 1 is a front, right corner perspective view of a first embodiment of the humidifier reservoir for positive airway pressure delivery console according to our new design; FIG. 2 is a right side view thereof; FIG. 3 is a left side view thereof; FIG. 4 is a top view thereof; FIG. 5 is a bottom view thereof; FIG. 6 is a front view thereof; FIG. 7 is a rear view thereof; FIG. 8 is another perspective view thereof; FIG. 9 is a front, right corner perspective view of a second embodiment of the humidifier reservoir for positive airway pressure delivery console according to our new design; FIG. 10 is a right side view thereof; FIG. 11 is a left side view thereof; FIG. 12 is a top view thereof; FIG. 13 is a bottom view thereof; FIG. 14 is a front view thereof; FIG. 15 is a rear view thereof; and, FIG. 16 is another perspective view thereof. In the drawings, the broken lines are for the purpose of illustrating environment only and form no part of the claimed design.

1 Claim, 12 Drawing Sheets



(56)

References Cited

U.S. PATENT DOCUMENTS

D550,349 S * 9/2007 Lithgow et al. D24/110
 D560,795 S * 1/2008 Lithgow et al. D24/110
 D561,890 S * 2/2008 Lithgow et al. D24/110
 D561,891 S * 2/2008 Lithgow et al. D24/110
 D570,473 S 6/2008 Hamaguchi et al.
 D578,204 S * 10/2008 Lithgow et al. D24/110
 D580,060 S * 11/2008 Adams D24/164
 D585,131 S * 1/2009 Trevor-Wilson et al. D24/110
 D585,540 S * 1/2009 Lithgow et al. D24/110
 D590,494 S * 4/2009 Lithgow et al. D24/110
 D602,585 S 10/2009 Blackwell et al.
 D604,830 S * 11/2009 Lithgow et al. D24/110
 D611,593 S * 3/2010 Lithgow et al. D24/110
 D612,480 S * 3/2010 Cork et al. D24/110
 D614,286 S * 4/2010 Lithgow et al. D24/110
 D621,031 S * 8/2010 Lithgow et al. D24/110
 D627,044 S * 11/2010 Virr et al. D23/356
 D628,288 S 11/2010 Row et al.
 D629,891 S 12/2010 Virr et al.
 D629,892 S 12/2010 Hill et al.
 D635,244 S * 3/2011 Virr et al. D24/110
 D635,245 S * 3/2011 Virr et al. D24/110
 D635,654 S * 4/2011 Virr et al. D23/356
 D638,536 S 5/2011 Row et al.
 D638,537 S 5/2011 Virr et al.
 D638,933 S 5/2011 Hill et al.
 D643,114 S * 8/2011 Virr et al. D24/110
 D650,479 S 12/2011 Row et al.
 D652,916 S 1/2012 Row et al.
 D652,917 S 1/2012 Hill et al.
 D655,813 S 3/2012 Row et al.
 D658,283 S 4/2012 Burz et al.
 D659,235 S * 5/2012 Bertinetti et al. D24/110
 D671,209 S 11/2012 Row et al.
 D677,789 S 3/2013 Row et al.
 D708,316 S 7/2014 Bertinetti et al.
 D710,989 S 8/2014 Bertinetti et al.
 2006/0106345 A1 5/2006 Flaker et al.
 2007/0169776 A1 7/2007 Kepler et al.
 2009/0123886 A1 5/2009 Vaska
 2009/0223514 A1 9/2009 Smith et al.
 2010/0116272 A1 5/2010 Row et al.
 2011/0017212 A1 1/2011 Kenyon et al.
 2011/0100363 A1 5/2011 Barclay et al.

2011/0155132 A1 6/2011 Virr et al.
 2011/0180068 A1 7/2011 Kenyon et al.
 2012/0285454 A1 11/2012 Nibu et al.
 2013/0008440 A1 1/2013 Maurer et al.
 2013/0011823 A1 1/2013 Hassanein et al.
 2013/0206140 A1 8/2013 Kepler et al.
 2013/0239961 A1 9/2013 Ross et al.
 2013/0263854 A1 10/2013 Taylor et al.
 2013/0280055 A1 10/2013 Daly et al.
 2014/0130802 A1 5/2014 Virr et al.
 2014/0202460 A1 7/2014 Bath et al.
 2014/0216459 A1 8/2014 Vos et al.
 2014/0246025 A1 9/2014 Cragg et al.

FOREIGN PATENT DOCUMENTS

EM 001312953-0003 3/2012
 EM 001312953-0004 3/2012
 EM 001312953-0005 3/2012
 EP 2 703 034 A2 8/2013
 WO WO 2011/056080 A1 5/2011
 WO WO 2012/160477 A1 11/2012

OTHER PUBLICATIONS

Office Action mailed Dec. 3, 2014 in U.S. Appl. No. 29/456,458 (7 pages).
 Office Action mailed Nov. 7, 2014 in Design U.S. Appl. No. 29/482,519 (5 pages).
 U.S. Appl. No. 29/456,458, filed May 2013, Formica et al.
 U.S. Appl. No. 29,456,477, filed May 2013, Formica et al.
 U.S. Appl. No. 29/480,971, filed Jan. 2014, Desvoyes et al.
 U.S. Appl. No. 29/482,519, filed Feb. 2014, Bath et al.
 U.S. Appl. No. 29/502,152, filed Sep. 2014, Bertinetti et al.
 U.S. Appl. No. 29/485,313, filed Mar. 2014, Formica et al.
 U.S. Appl. No. 29/492,344, filed May 2014, Bertinetti et al.
 U.S. Appl. No. 61/838,971, filed Jun. 2013, Huby et al.
 U.S. Appl. No. 61/987,245, filed May 2014, Foote et al.
 ResMed S9™ Series, No Other Sleep Therapy System Delivers, 2010 (12 pages).
 Philips Respironics, System One Sleep Therapy System, May 2012 (2 pages).
 Fisher & Paykel Healthcare, Icon Brochure, 2010 (2 pages).
 Fisher & Paykel Healthcare, Icon User Manual, Jan. 2010 (214 pages).

* cited by examiner

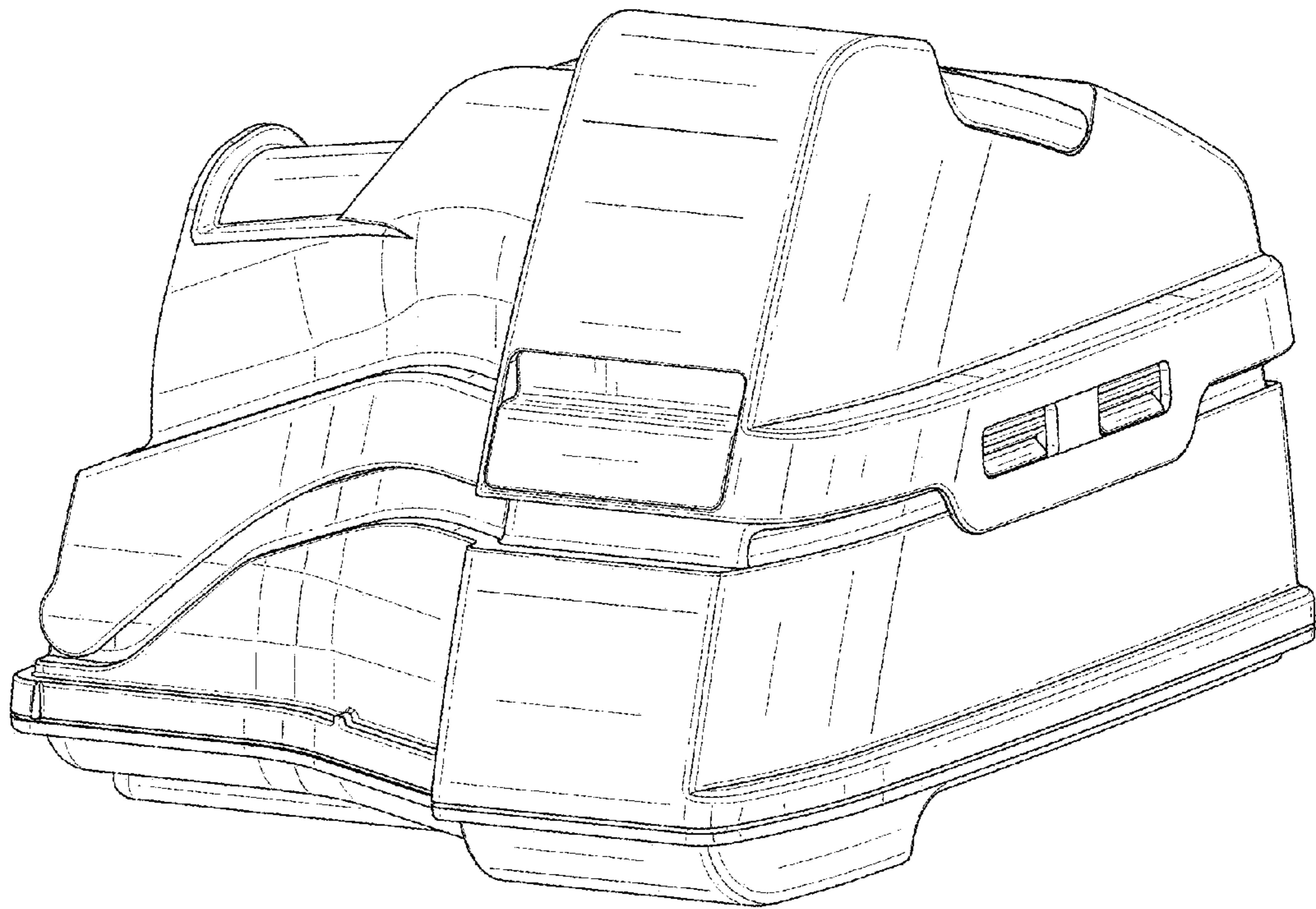


FIG. 1

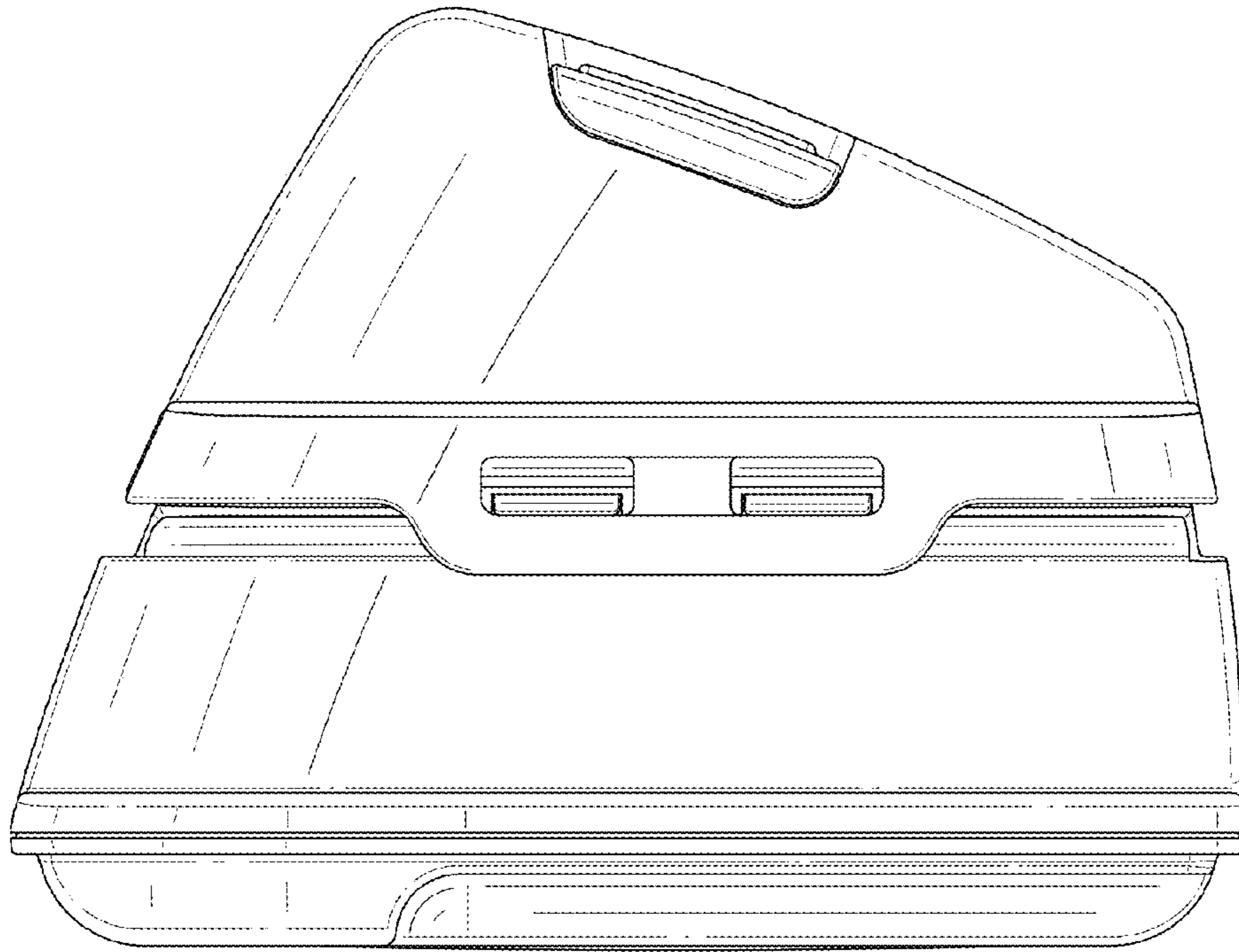


FIG. 2

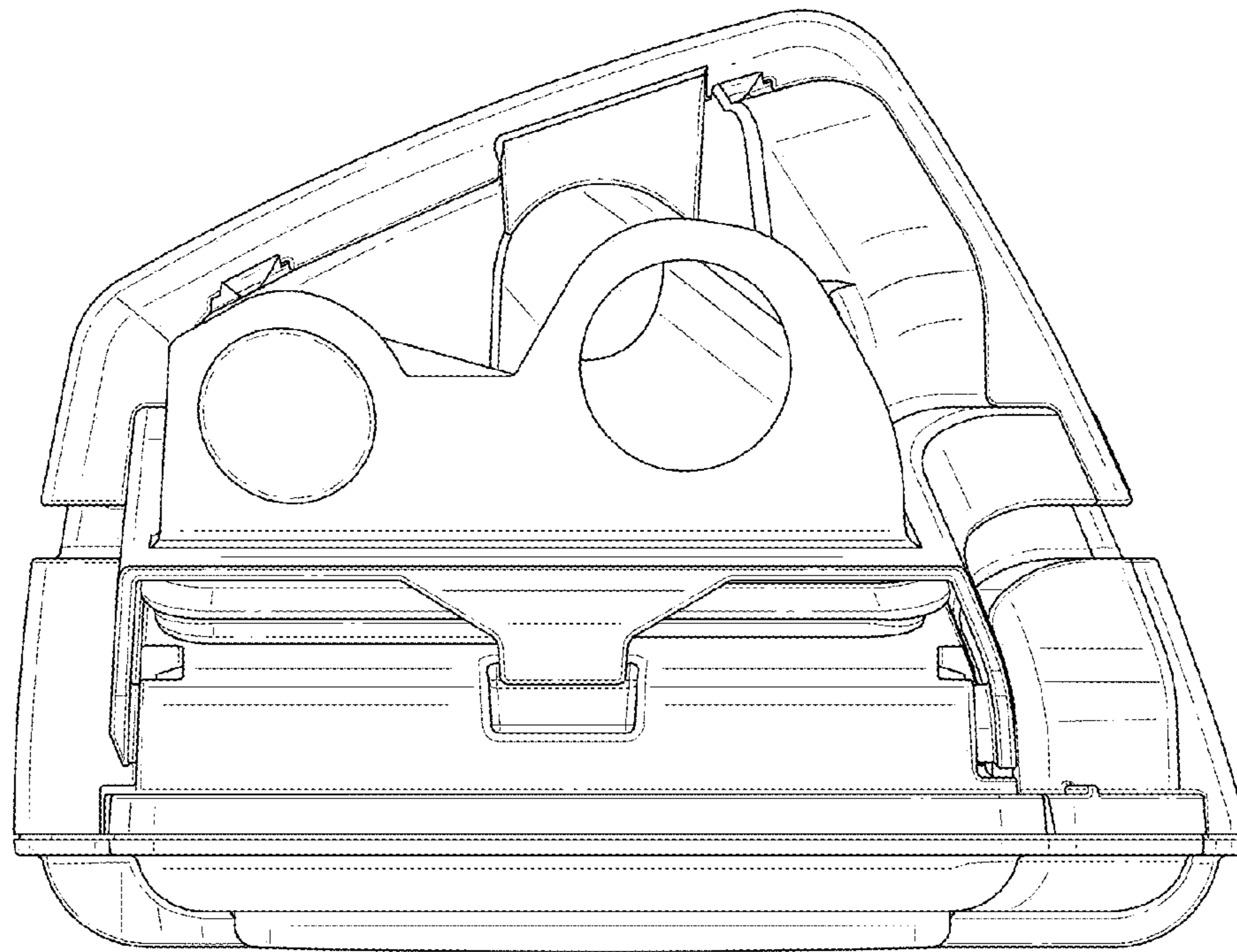


FIG. 3

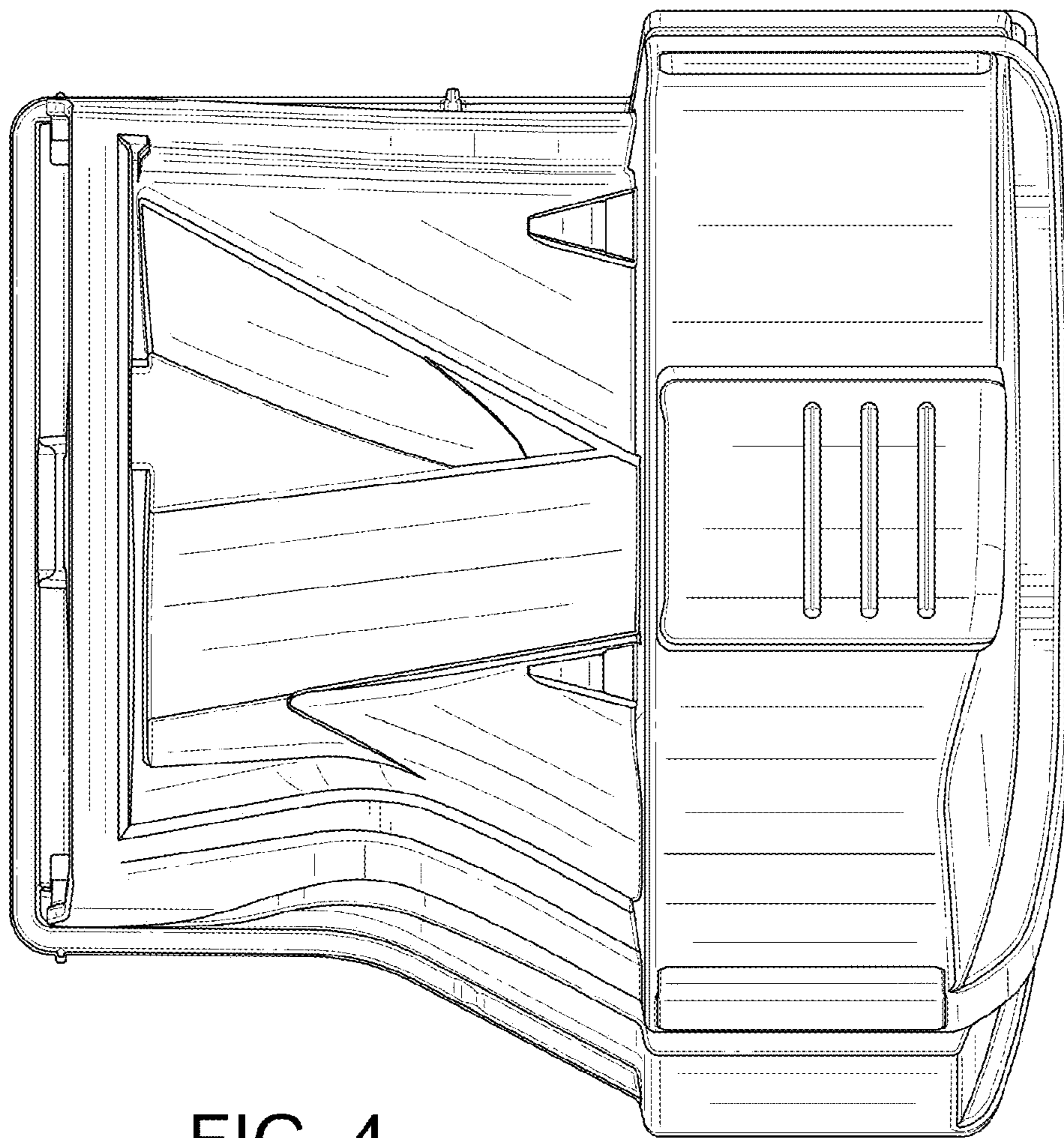


FIG. 4

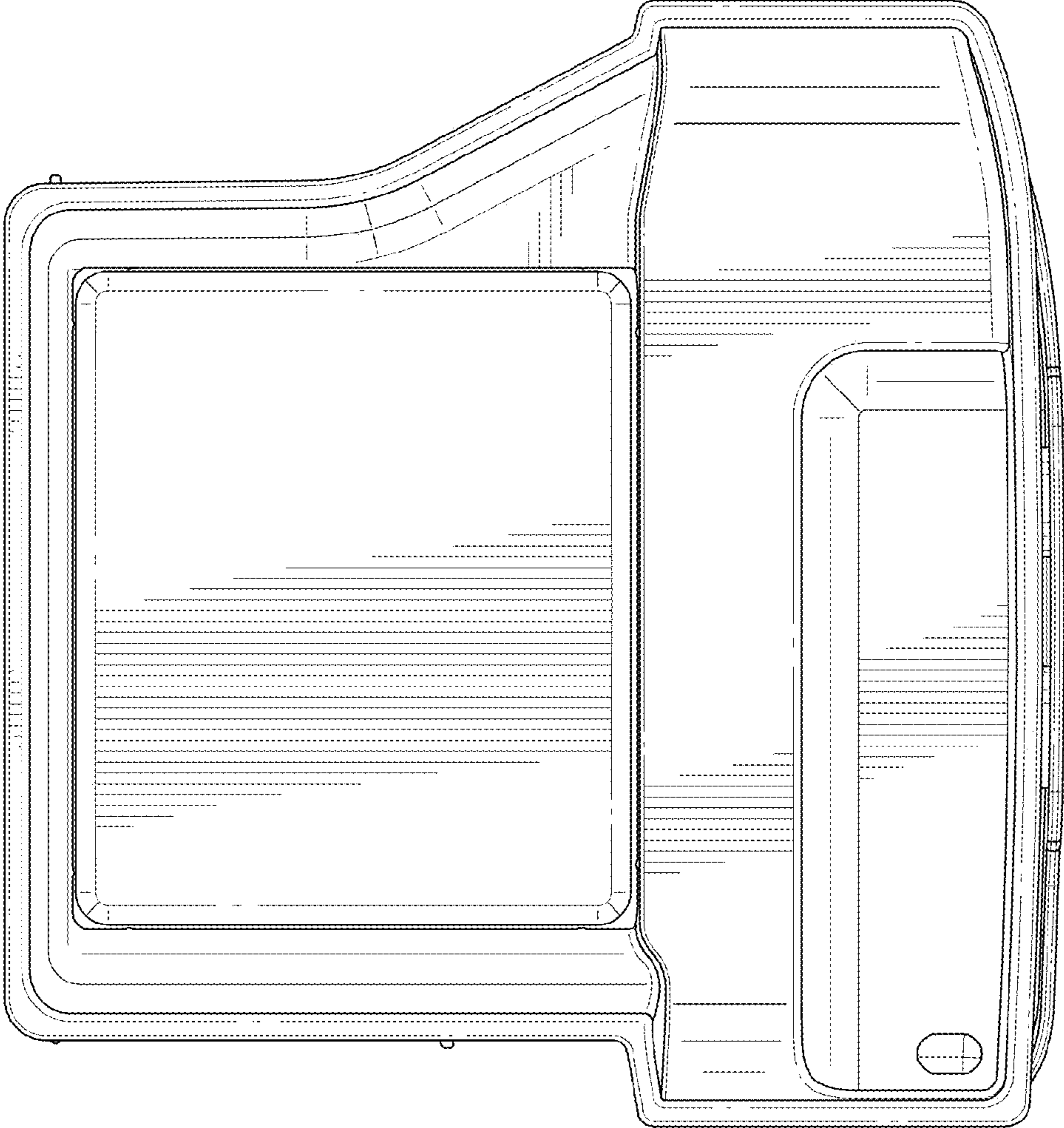


FIG. 5

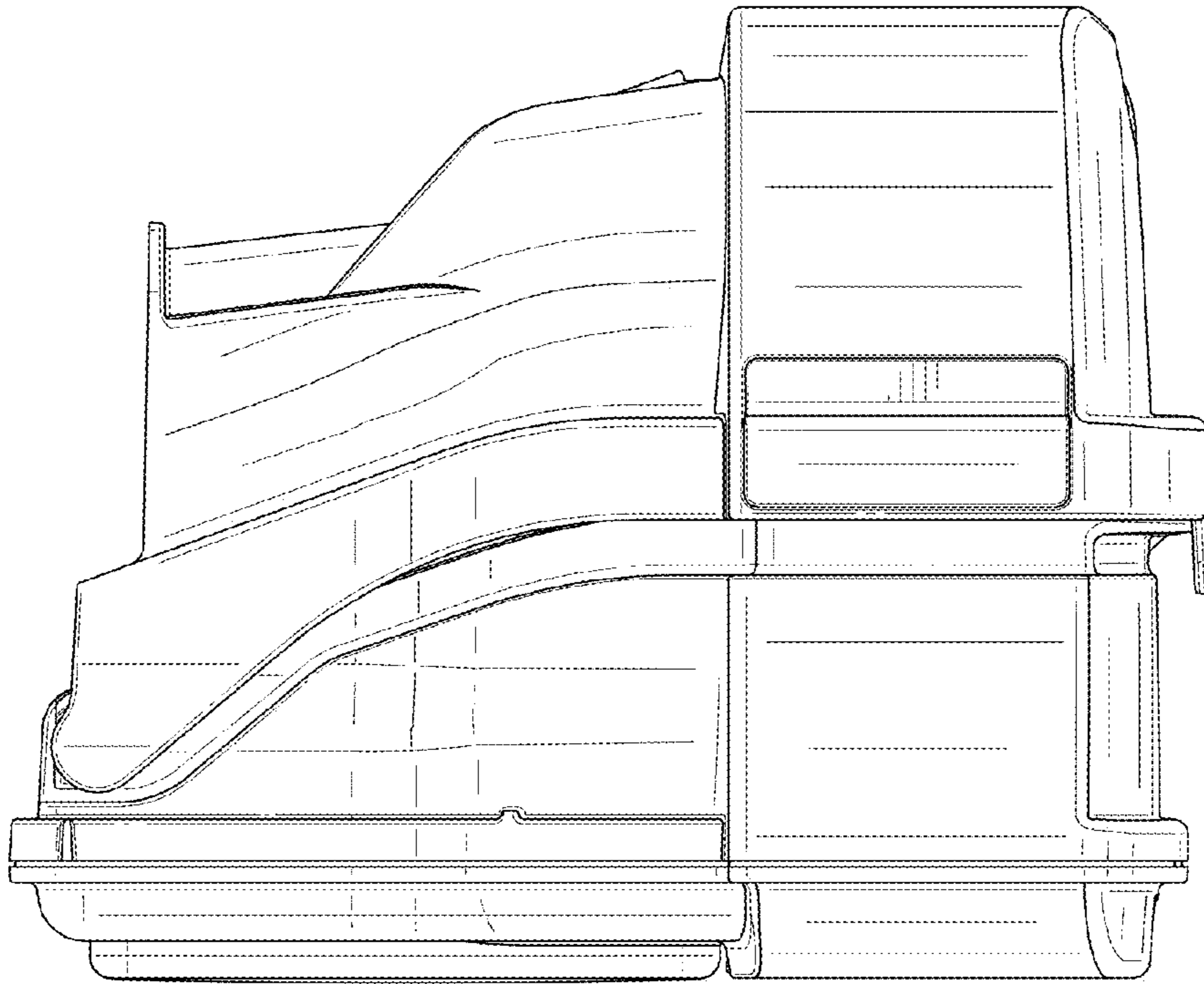


FIG. 6

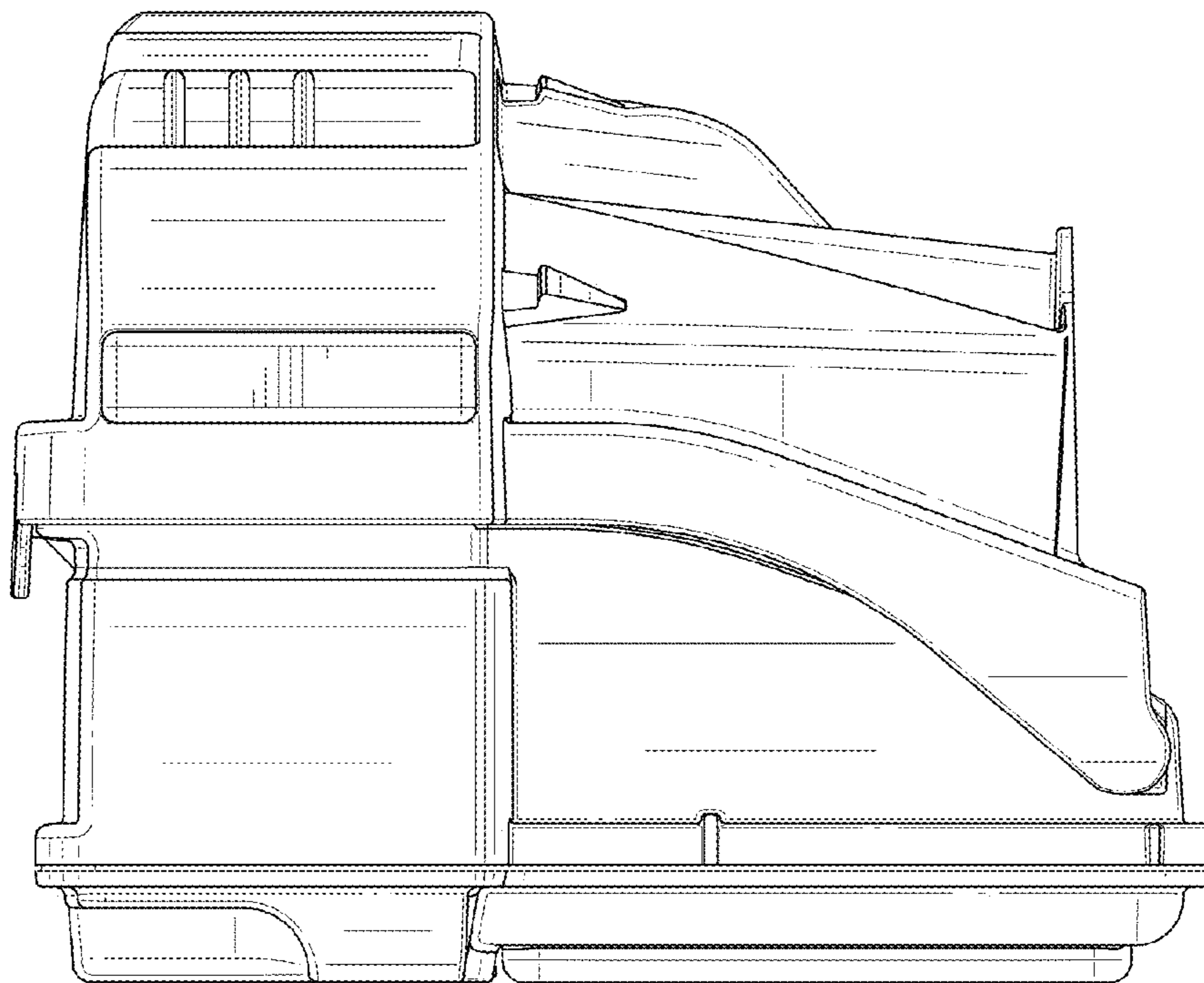


FIG. 7

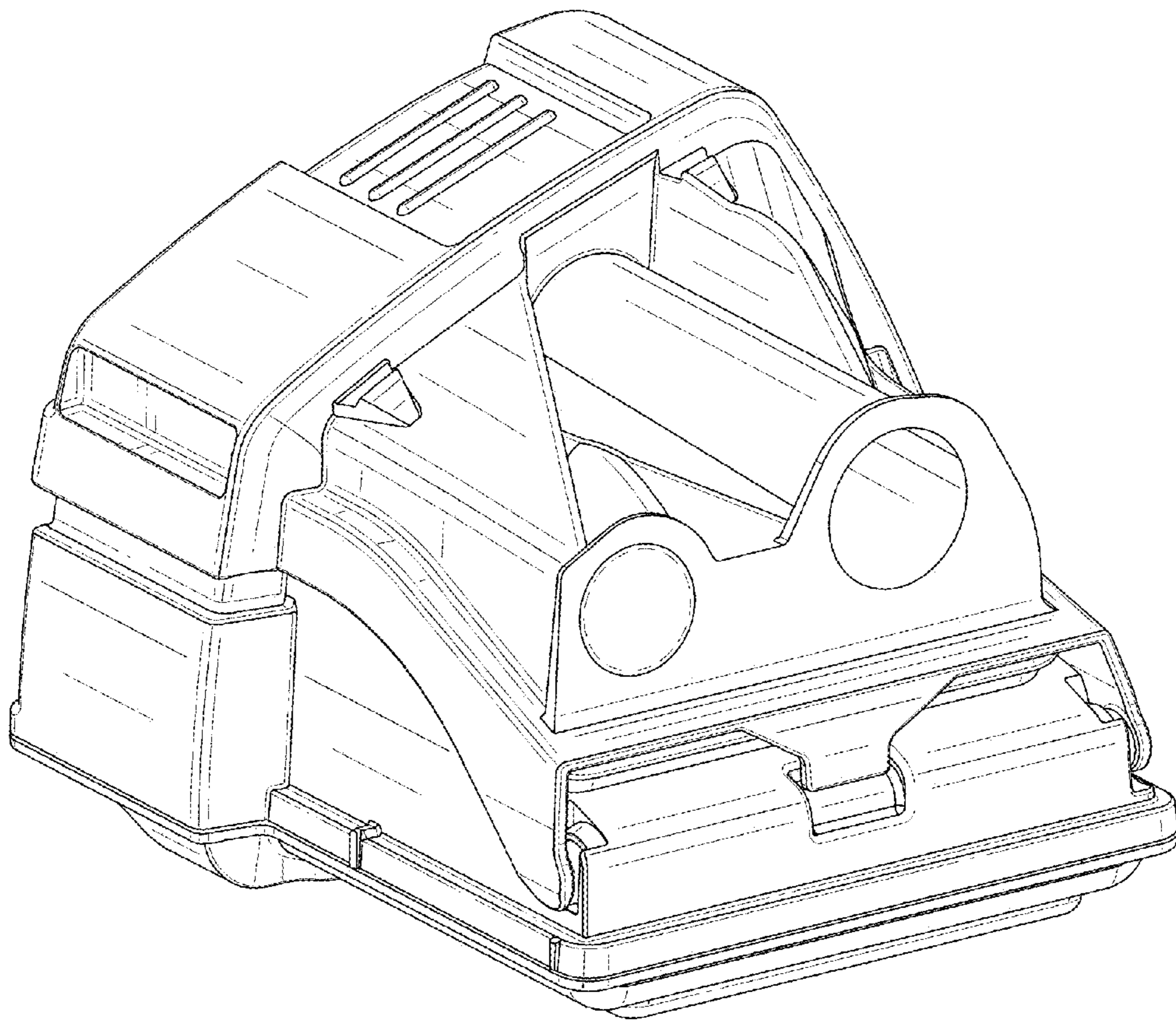


FIG. 8

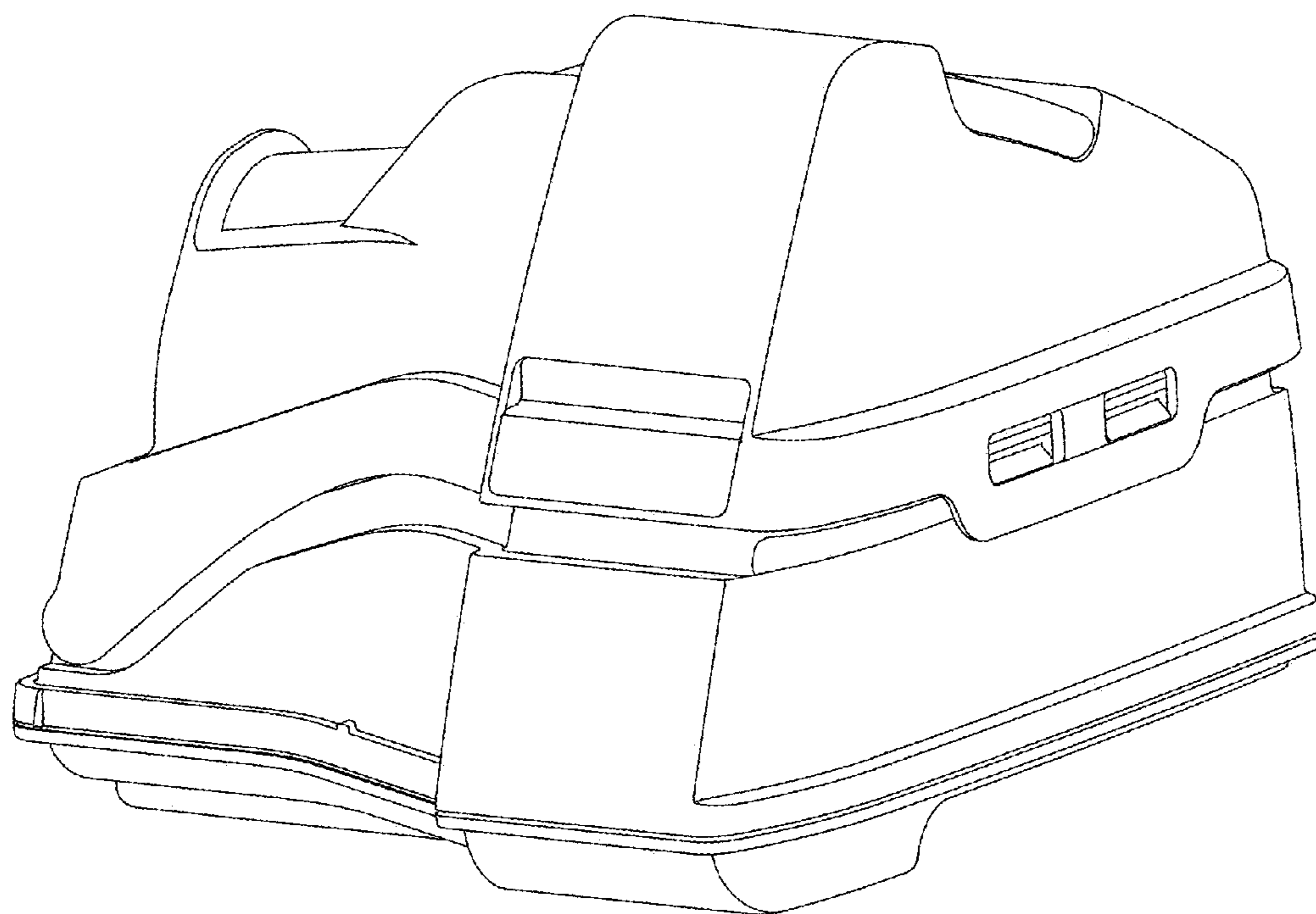


FIG. 9

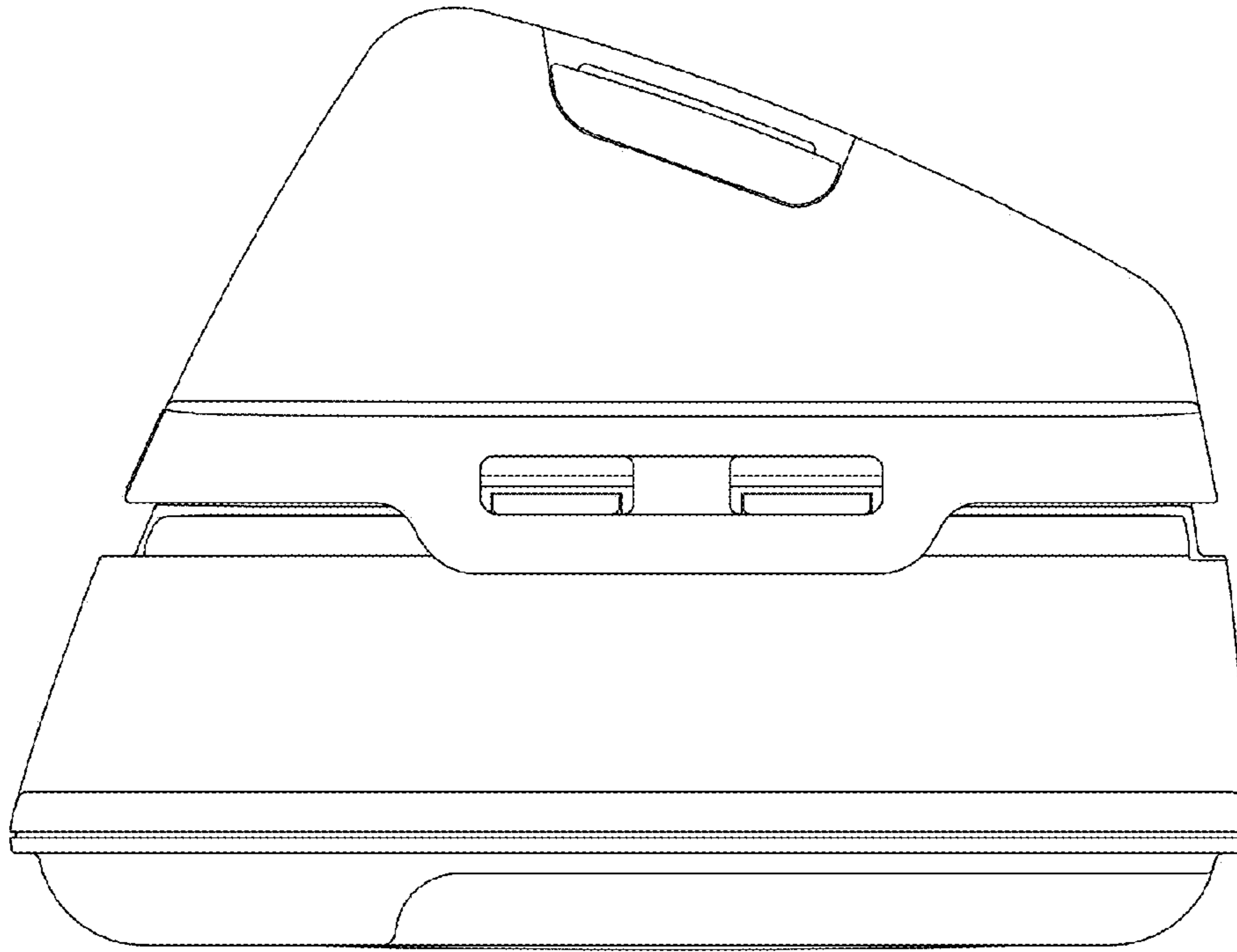


FIG. 10

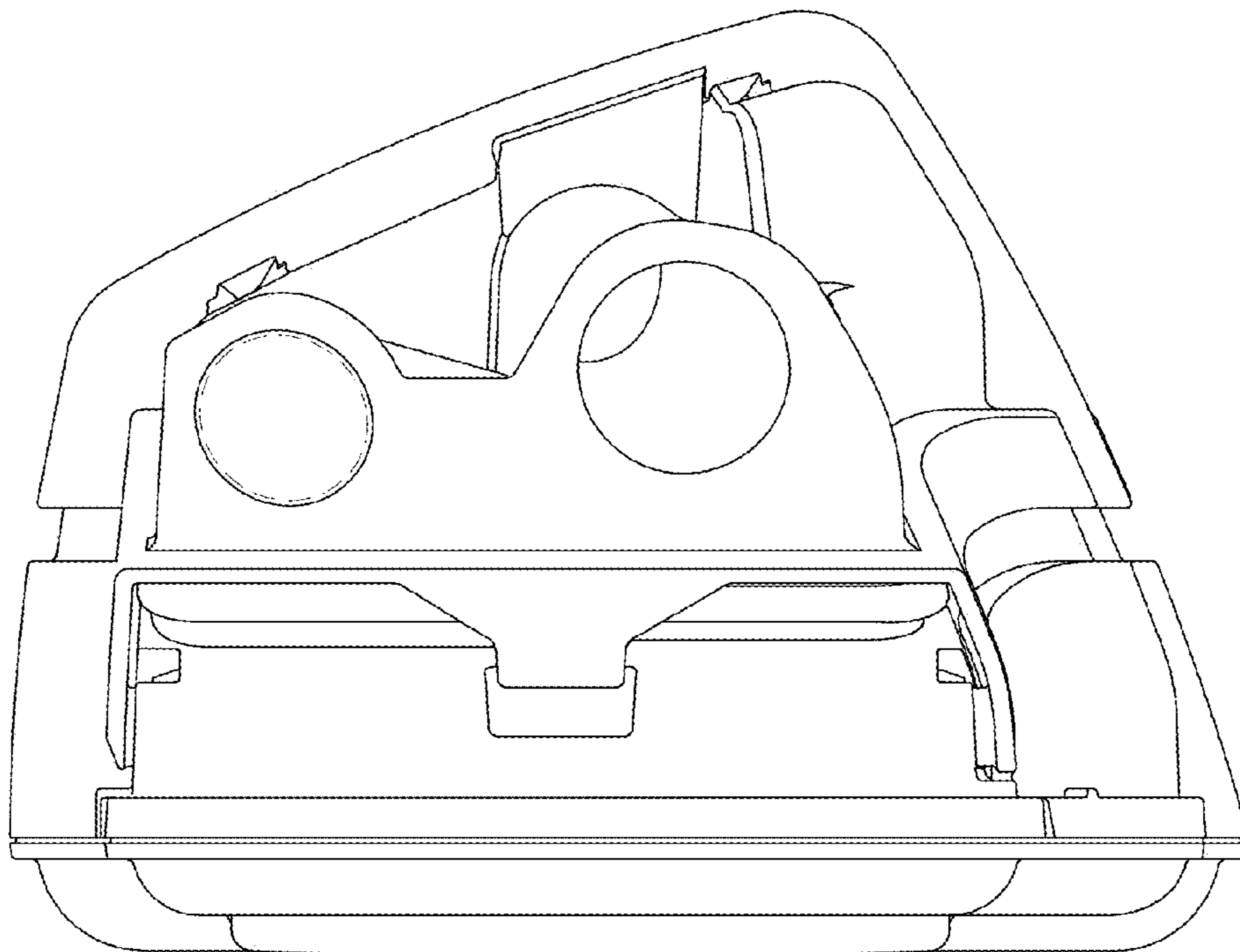


FIG. 11

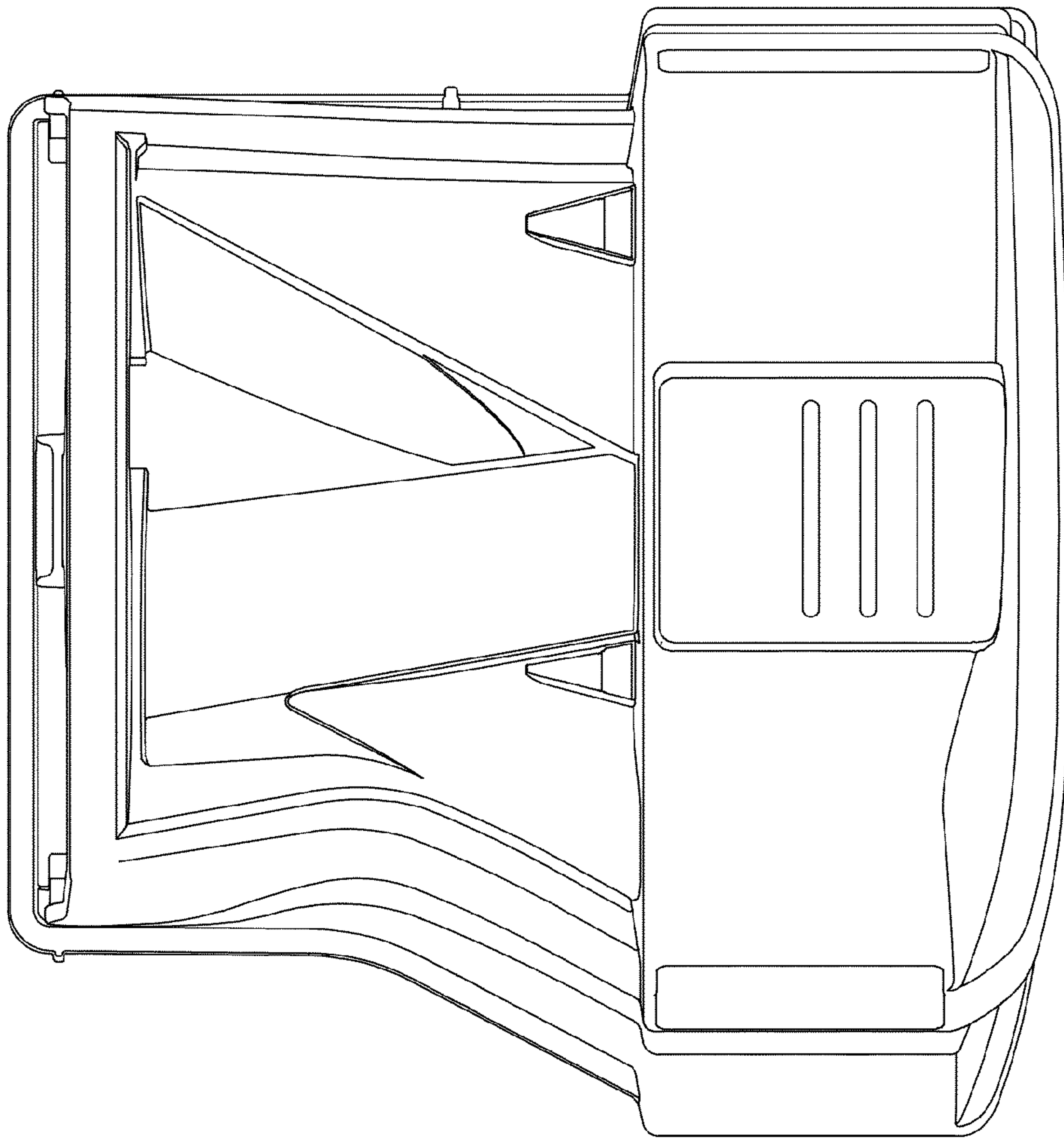


FIG. 12

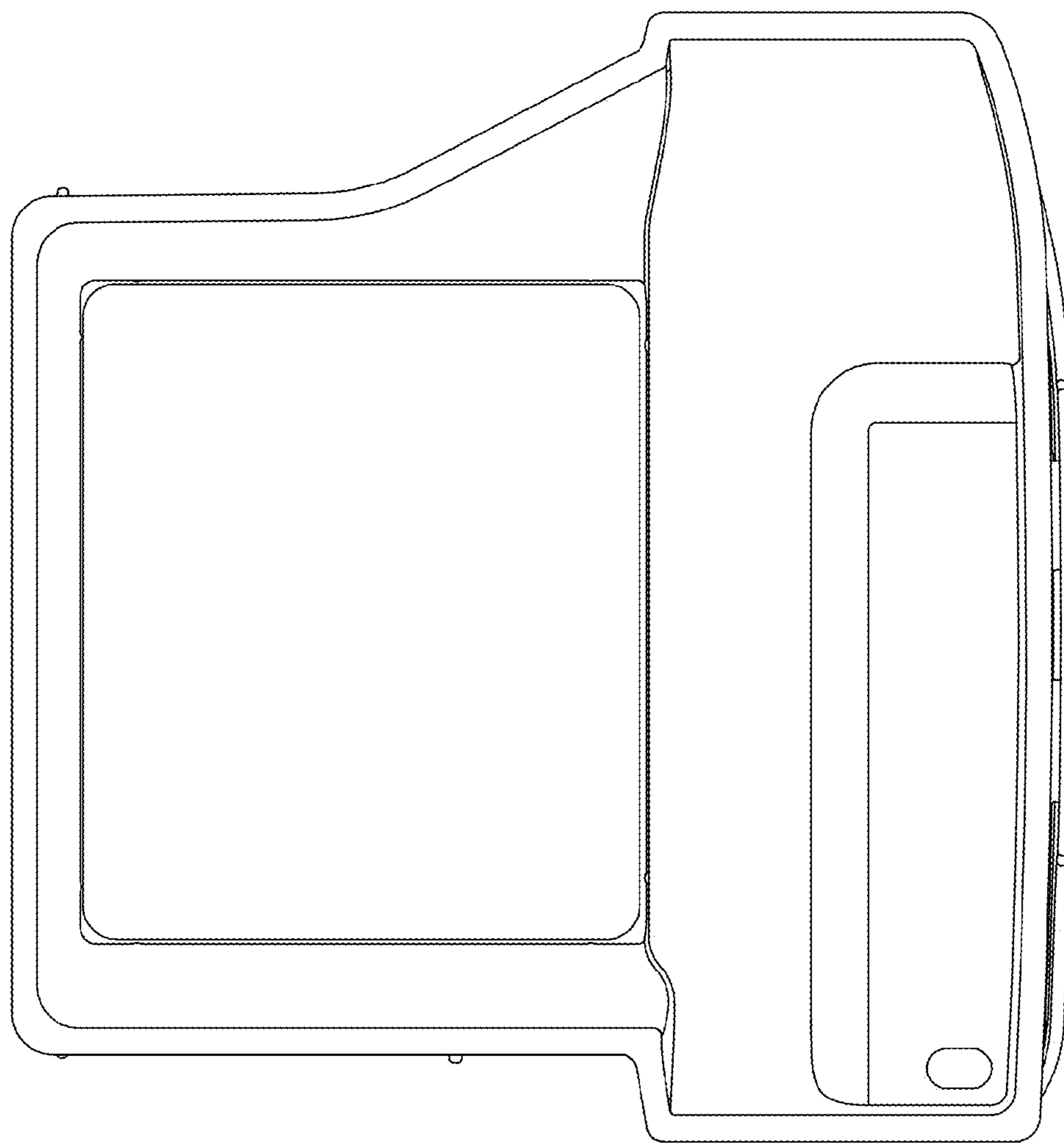


FIG. 13

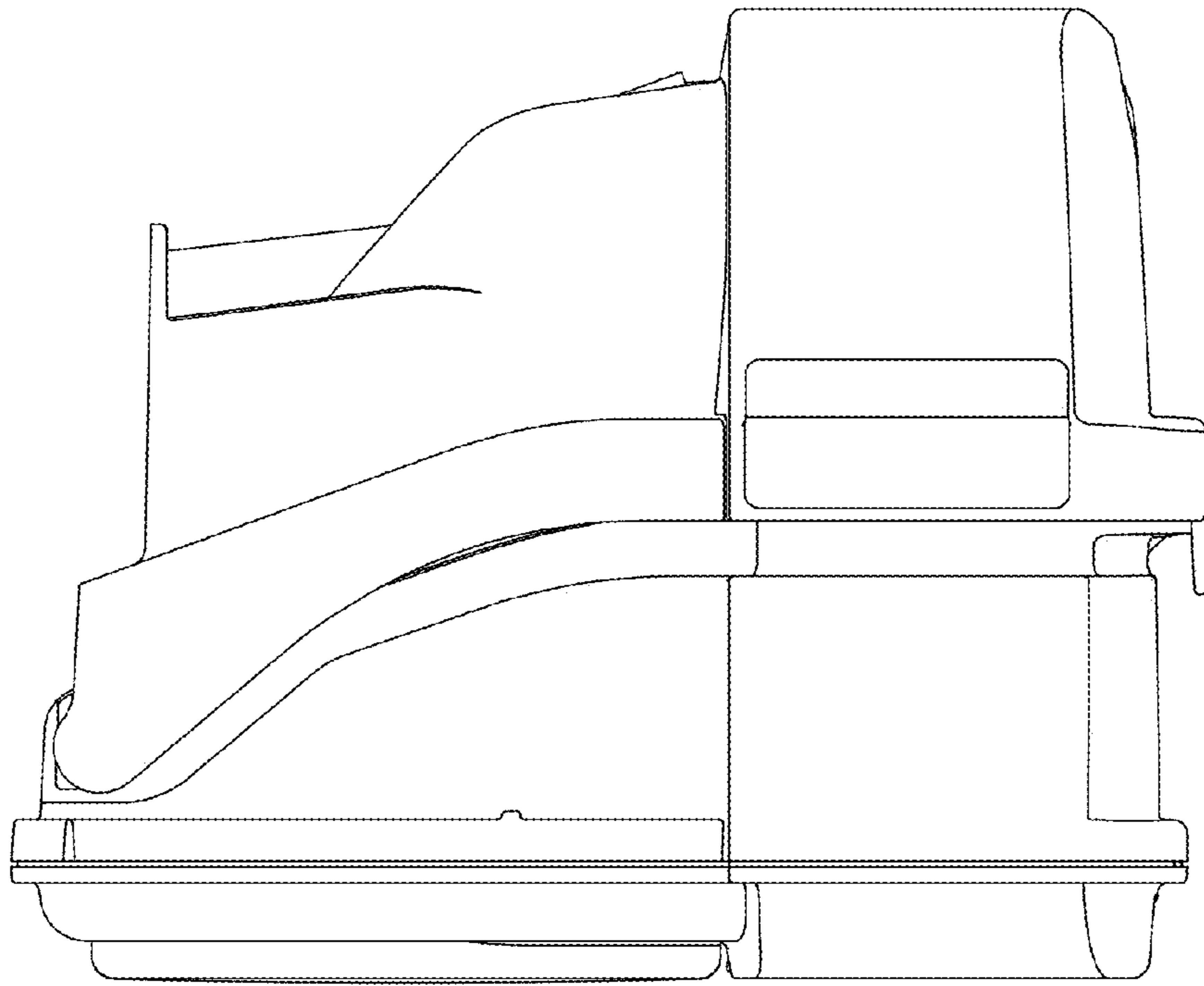


FIG. 14

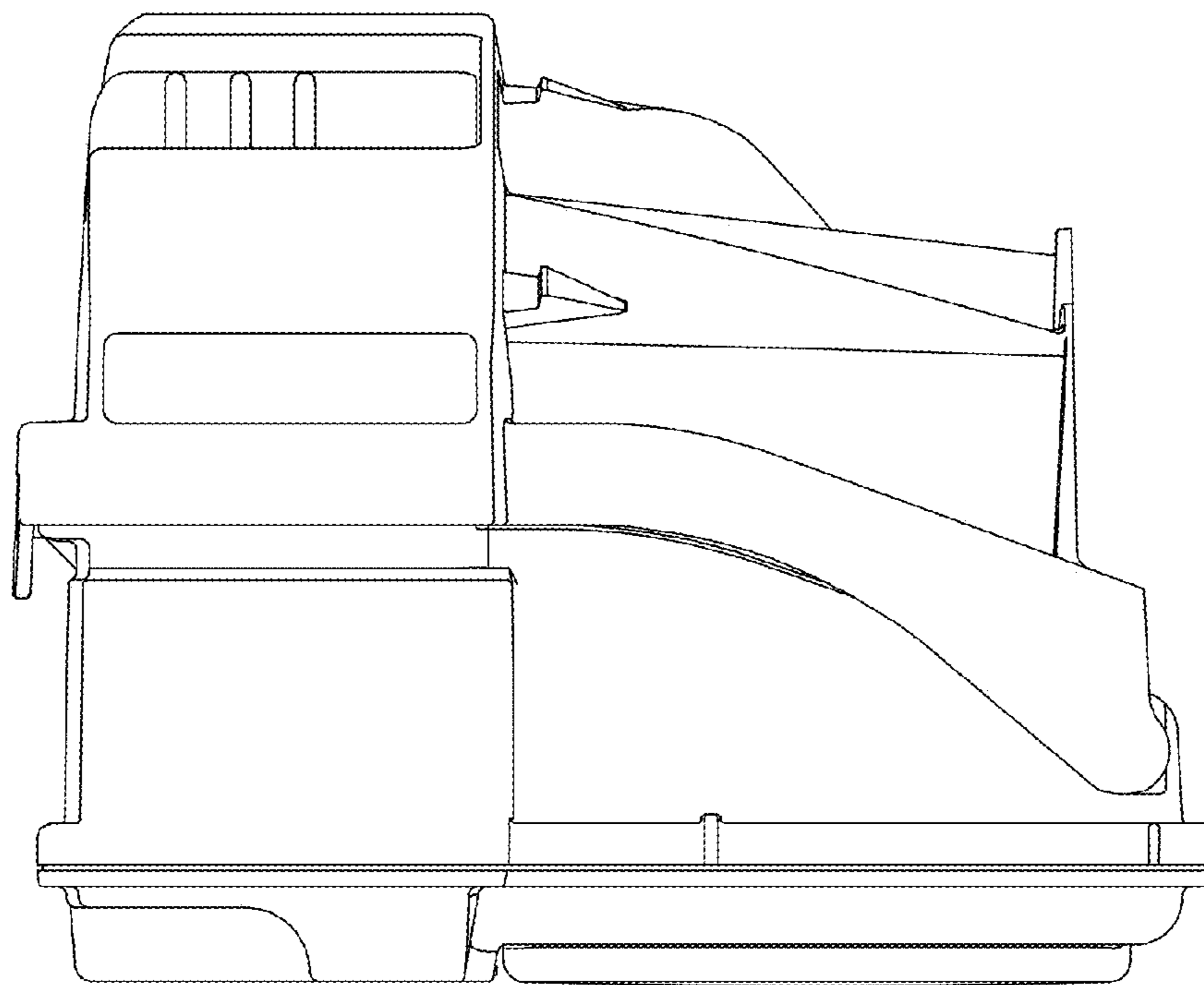


FIG. 15

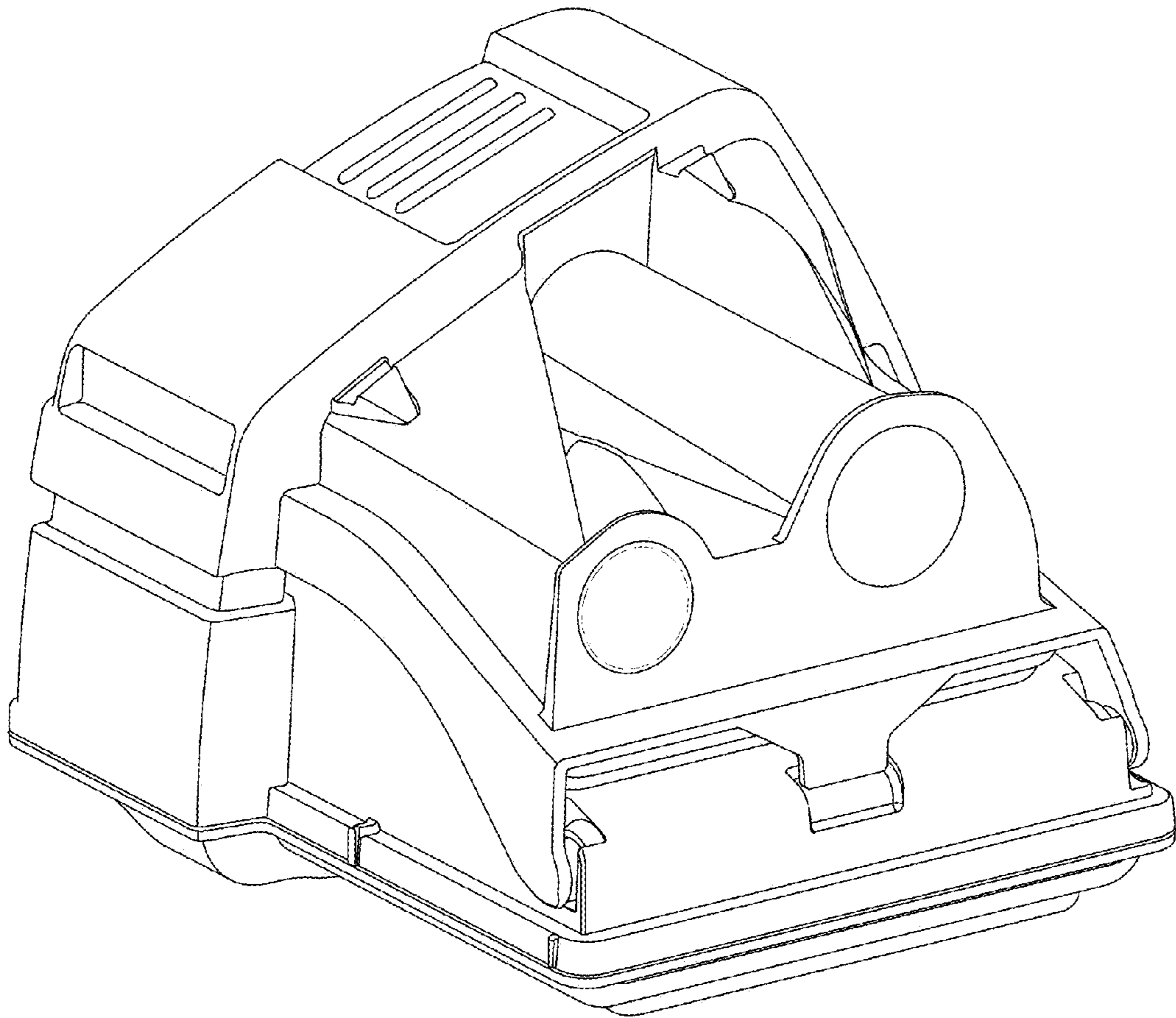


FIG. 16