

US00D744107S

(12) **United States Design Patent**
Steward, Jr.

(10) **Patent No.:** **US D744,107 S**

(45) **Date of Patent:** **** Nov. 24, 2015**

- (54) **DENTAL FILM HOLDER**
- (71) Applicant: **DENTSPLY International Inc.**, York, PA (US)
- (72) Inventor: **Curtis L. Steward, Jr.**, Sandwich, IL (US)
- (73) Assignee: **DENTSPLY International Inc.**, York, PA (US)
- (**) Term: **14 Years**
- (21) Appl. No.: **29/494,425**
- (22) Filed: **Jun. 20, 2014**
- (51) **LOC (10) Cl.** **24-01**
- (52) **U.S. Cl.**
USPC **D24/161**
- (58) **Field of Classification Search**
USPC D24/158–161, 185, 186, 152, 176, 177;
378/38, 39, 167, 168, 170, 177, 180,
378/191, 205, 208; 433/27, 29
See application file for complete search history.

6,382,831	B1 *	5/2002	Bacchetta et al.	378/170
D675,737	S *	2/2013	Steward et al.	D24/161
D698,022	S *	1/2014	Flanagan	D24/161
D698,442	S *	1/2014	Steward et al.	D24/161
D711,540	S *	8/2014	Steward, Jr.	D24/161
2007/0121789	A1 *	5/2007	Steck et al.	378/168
2011/0051900	A1 *	3/2011	Steward, Jr.	378/147
2011/0299663	A1 *	12/2011	Steward, Jr.	378/170

* cited by examiner

Primary Examiner — Anhdao Doan

(74) *Attorney, Agent, or Firm* — Leana Levin; Douglas J. Hura; David A. Zdurne

(57) **CLAIM**

The ornamental design for a dental film holder, as shown and described.

DESCRIPTION

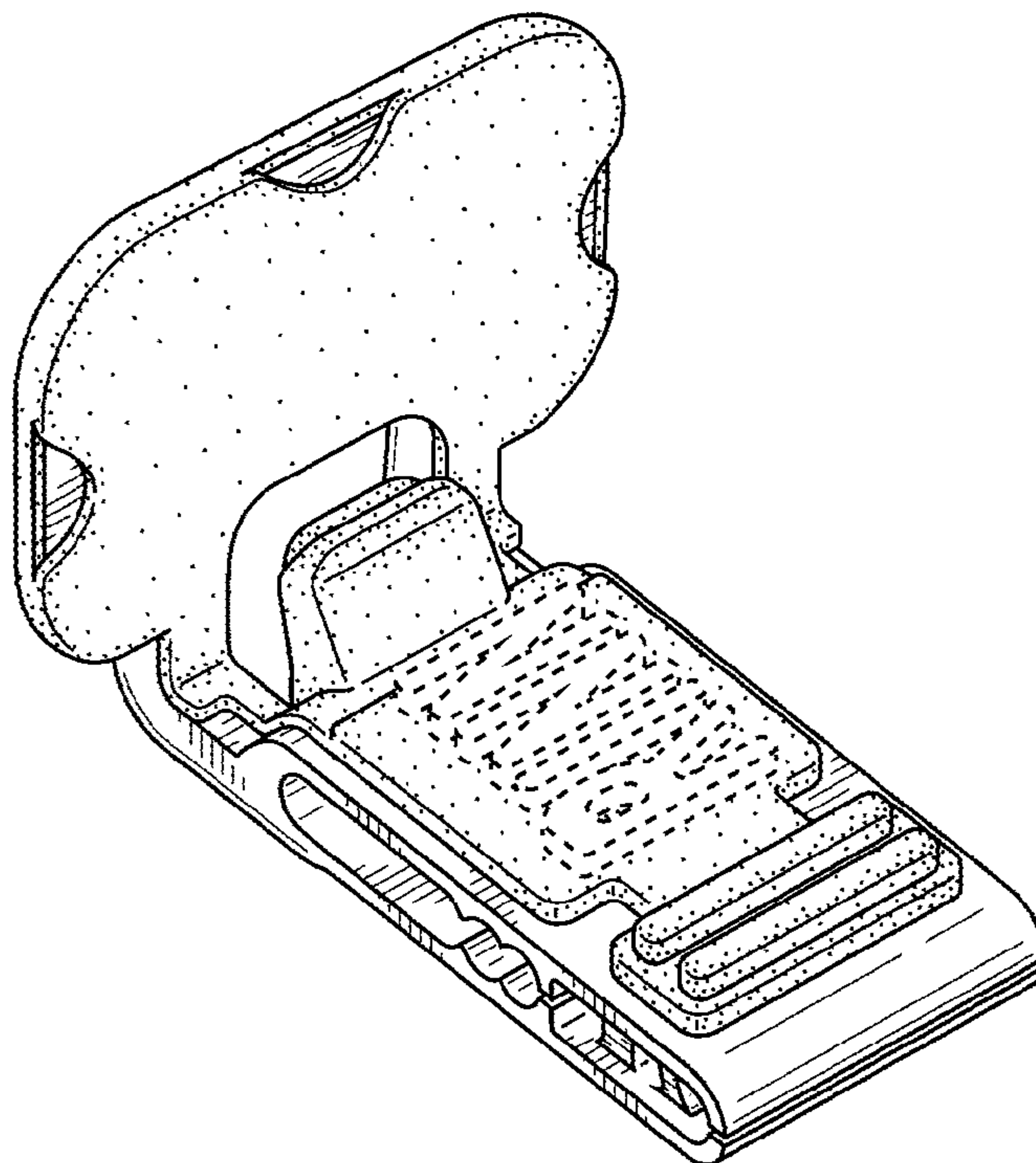
FIG. 1 is a isometric view of a dental film holder showing our new design;
 FIG. 2 is a first side view thereof;
 FIG. 3 is a second side view thereof;
 FIG. 4 is a front view thereof;
 FIG. 5 is a rear view thereof;
 FIG. 6 is a top view thereof; and,
 FIG. 7 is a bottom view thereof.
 The broken lines in the drawing views are included for the purpose of illustrating portions of the dental film holder that form no part of the claimed design.

(56) **References Cited**

U.S. PATENT DOCUMENTS

D276,648	S *	12/1984	Stevenson	D24/161
6,343,875	B1 *	2/2002	Eppinger et al.	378/170

1 Claim, 4 Drawing Sheets



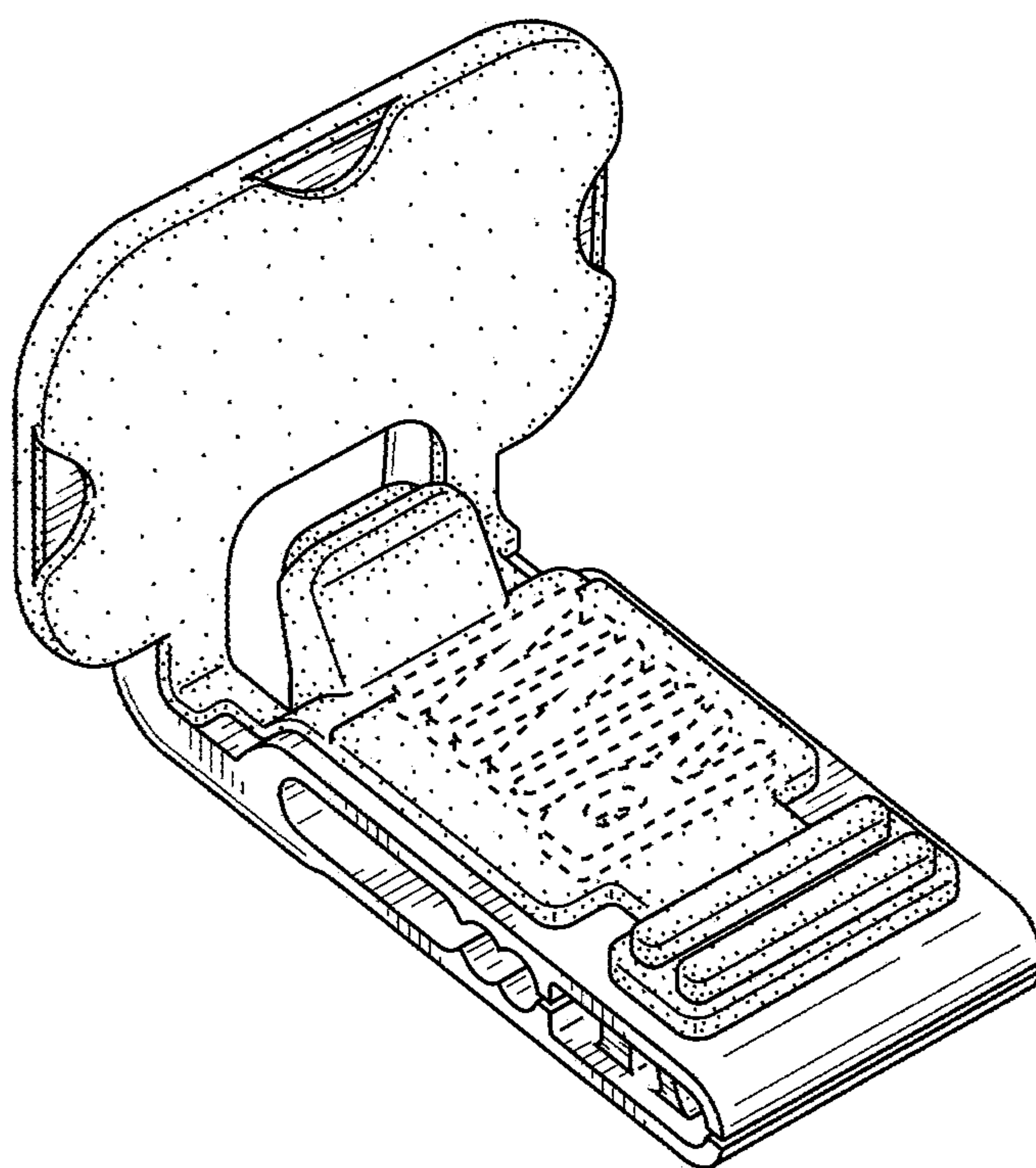


FIG. 1

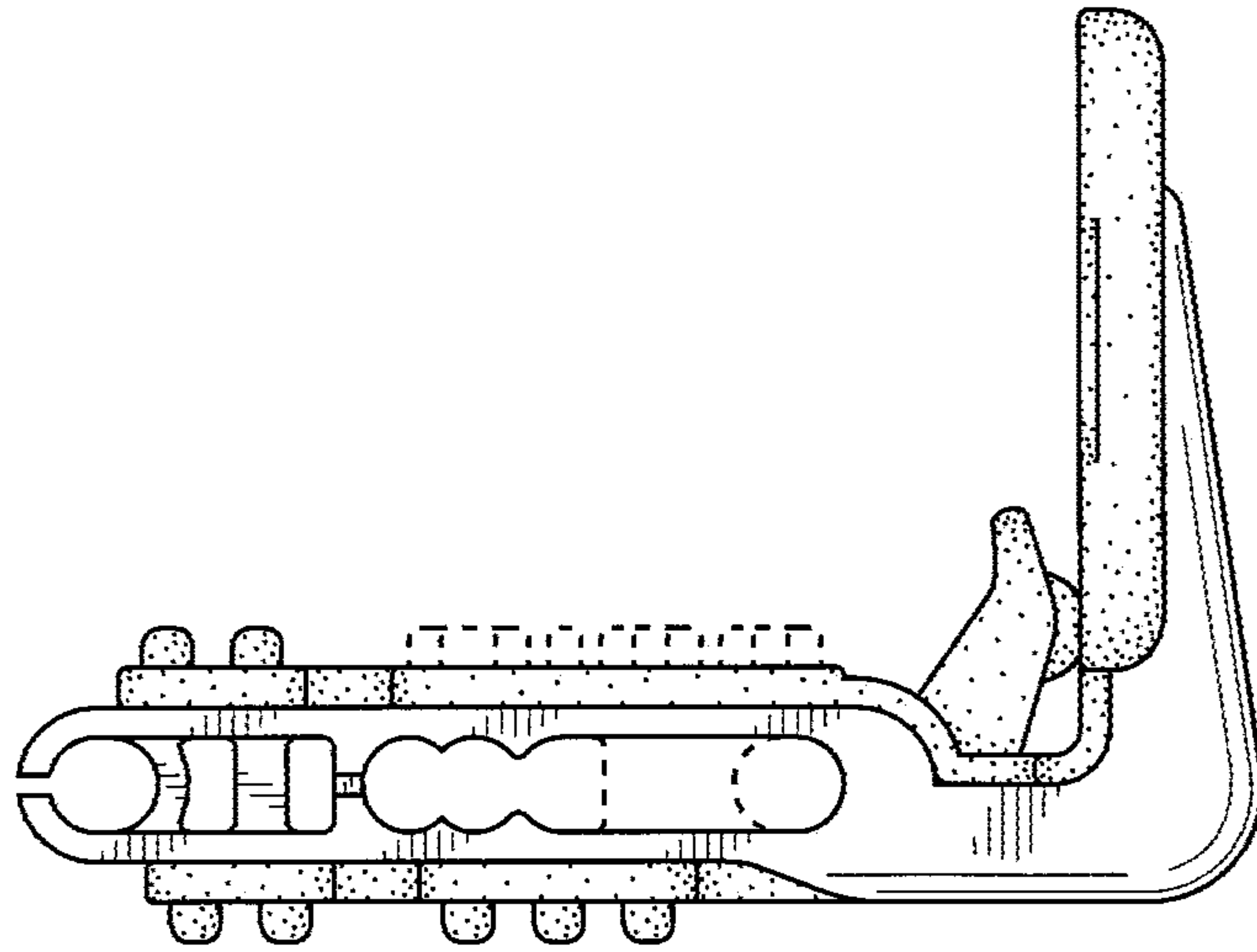


FIG. 2

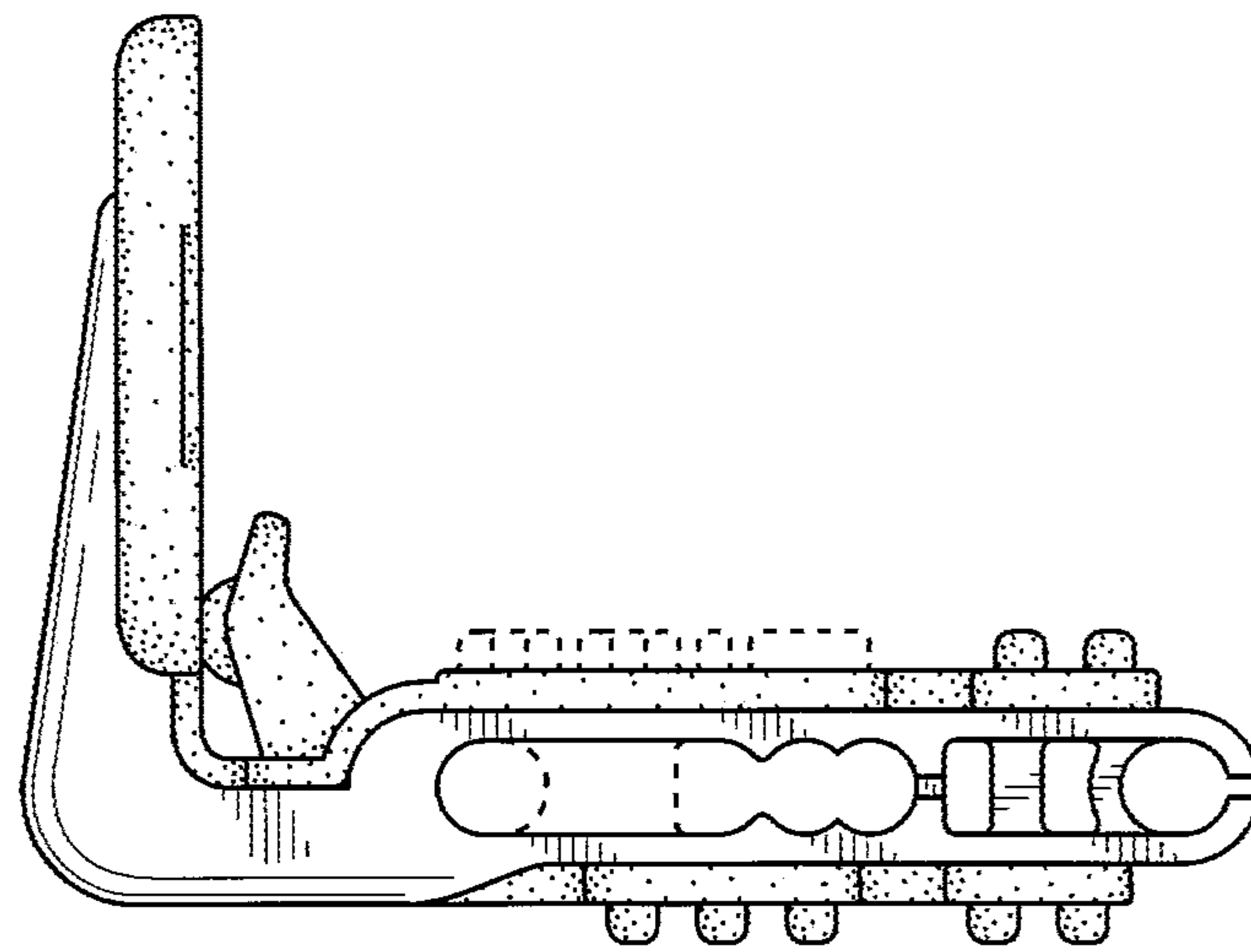


FIG. 3

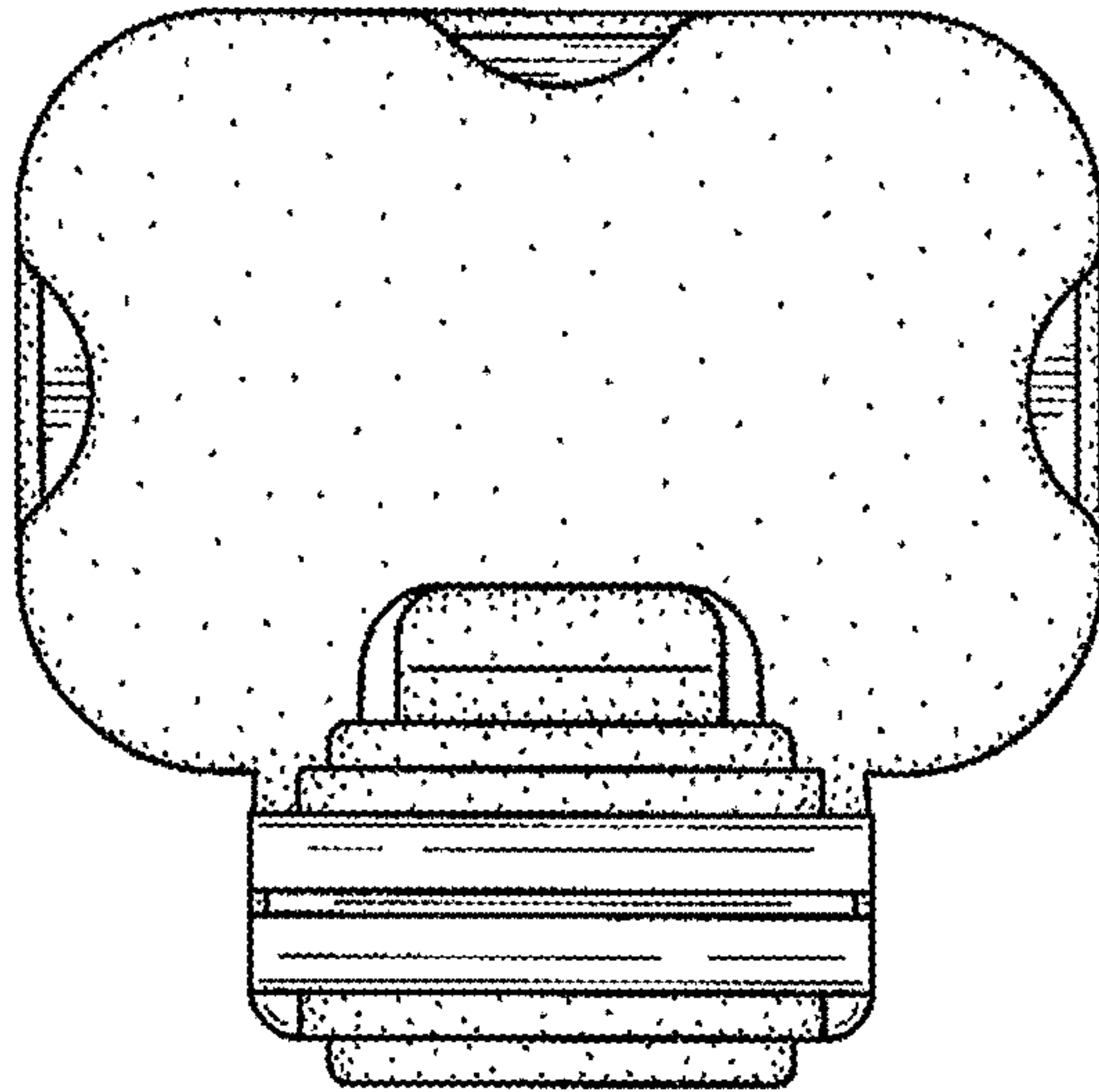


FIG. 4

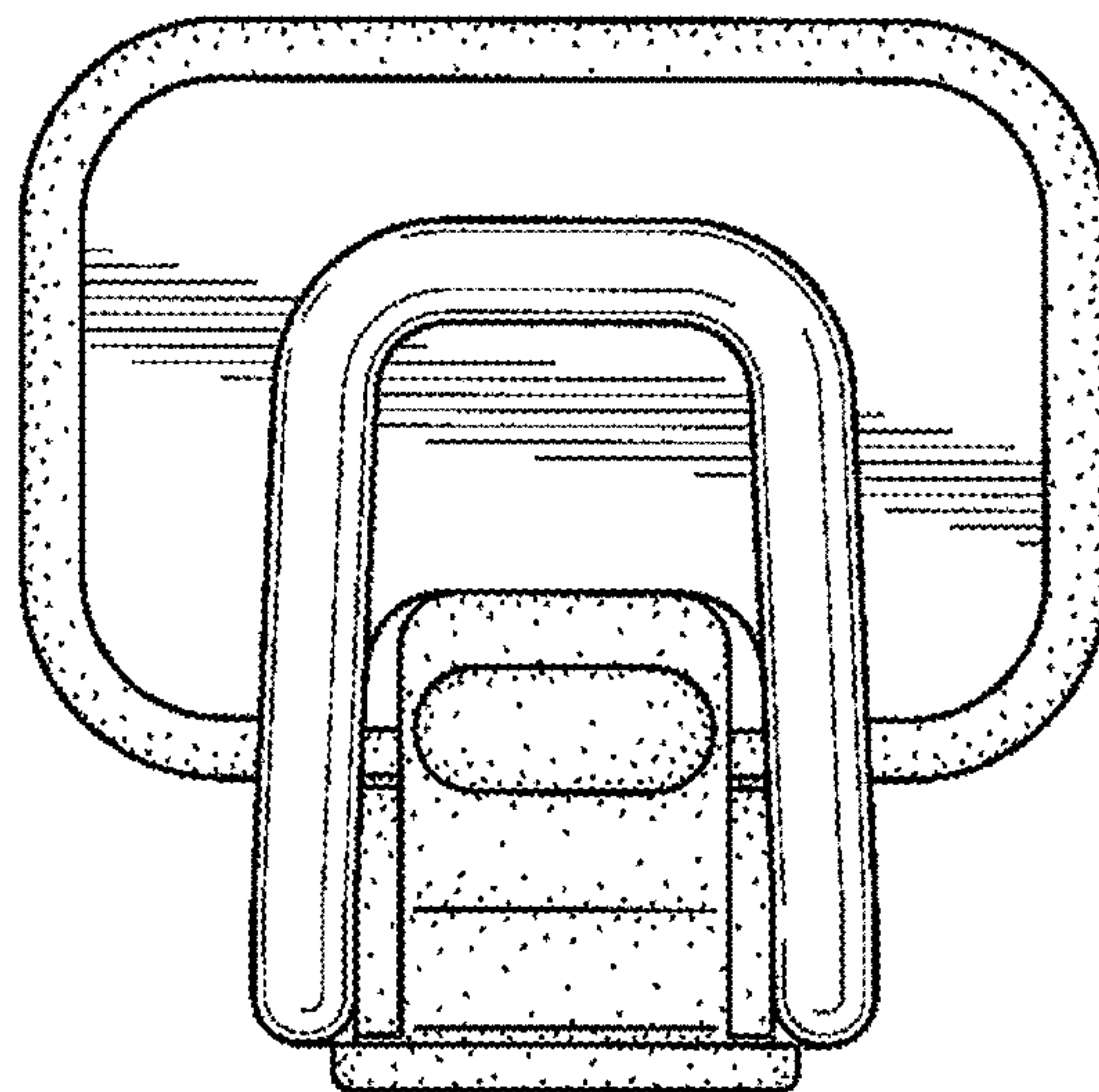


FIG. 5

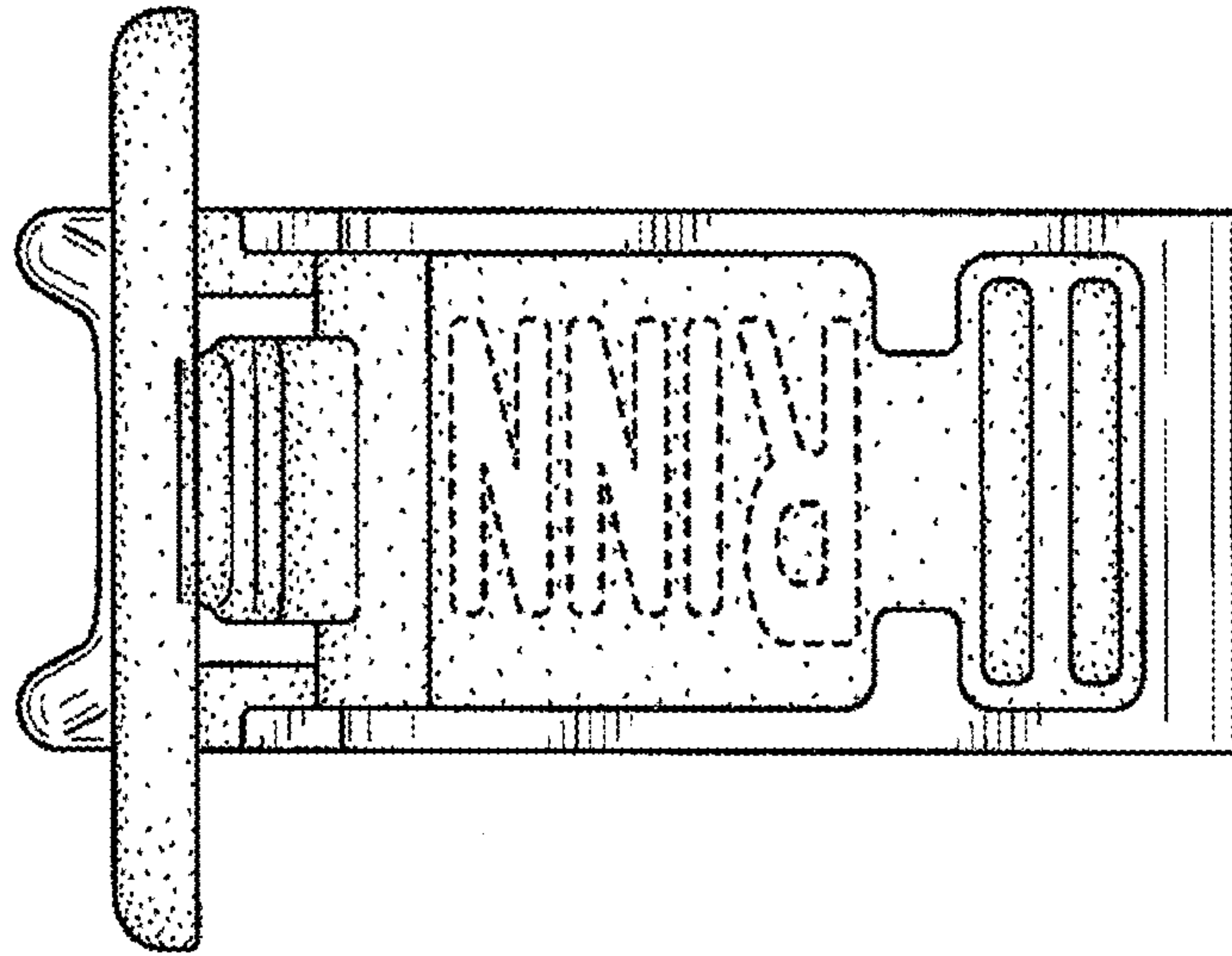


FIG. 6

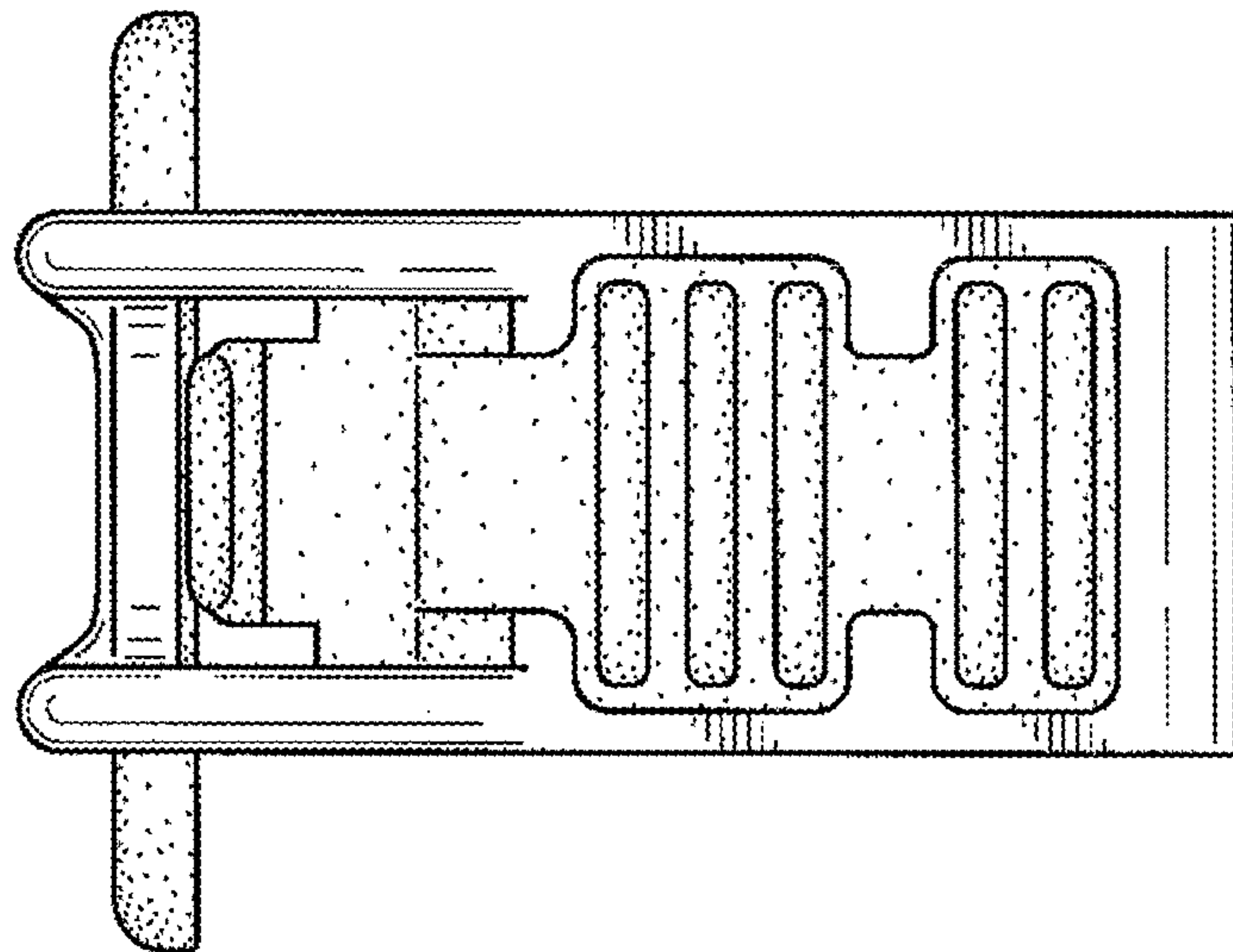


FIG. 7