



US00D744106S

(12) **United States Design Patent**  
**Voudouris**

(10) **Patent No.:** **US D744,106 S**

(45) **Date of Patent:** **\*\* Nov. 24, 2015**

(54) **ORTHODONTIC ANCHORAGE DEVICE**

D602,161 S \* 10/2009 Yazdi ..... D24/156  
7,780,444 B1 \* 8/2010 Schendel ..... 433/18  
8,807,996 B2 \* 8/2014 Benvegna' et al. .... 433/174  
2011/0033813 A1 \* 2/2011 Baughman et al. .... 433/18

(71) Applicant: **Orthoarm, Inc.**, Toronto (CA)

(72) Inventor: **John Voudouris**, Toronto (CA)

(73) Assignee: **Orthoarm, Inc.**, Toronto (CA)

(\*\*) Term: **14 Years**

\* cited by examiner

*Primary Examiner* — Wan Laymon

(74) *Attorney, Agent, or Firm* — McMillan LLP

(21) Appl. No.: **29/508,961**

(22) Filed: **Nov. 12, 2014**

(51) **LOC (10) Cl.** ..... **24-03**

(52) **U.S. Cl.**  
USPC ..... **D24/156**

(58) **Field of Classification Search**  
USPC ..... D24/180–182, 155–156; D8/387, 393;  
433/167, 173–174, 221, 225, 18  
CPC .. A61C 8/0089; A61C 8/0066; A61C 8/0025;  
A61C 1/084; A61C 8/0074; A61C 7/00;  
A61C 5/005

See application file for complete search history.

(56) **References Cited**

**U.S. PATENT DOCUMENTS**

D574,958 S \* 8/2008 Schendel et al. .... D24/156  
D583,946 S \* 12/2008 Schendel ..... D24/156

(57) **CLAIM**

The ornamental design for a orthodontic anchorage device, as shown and described.

**DESCRIPTION**

FIG. 1 is a perspective view of the orthodontic anchorage device.

FIG. 2 is a right side view of the design of FIG. 1.

FIG. 3 is a left side view of the design of FIG. 1.

FIG. 4 is a front view of the design of FIG. 1.

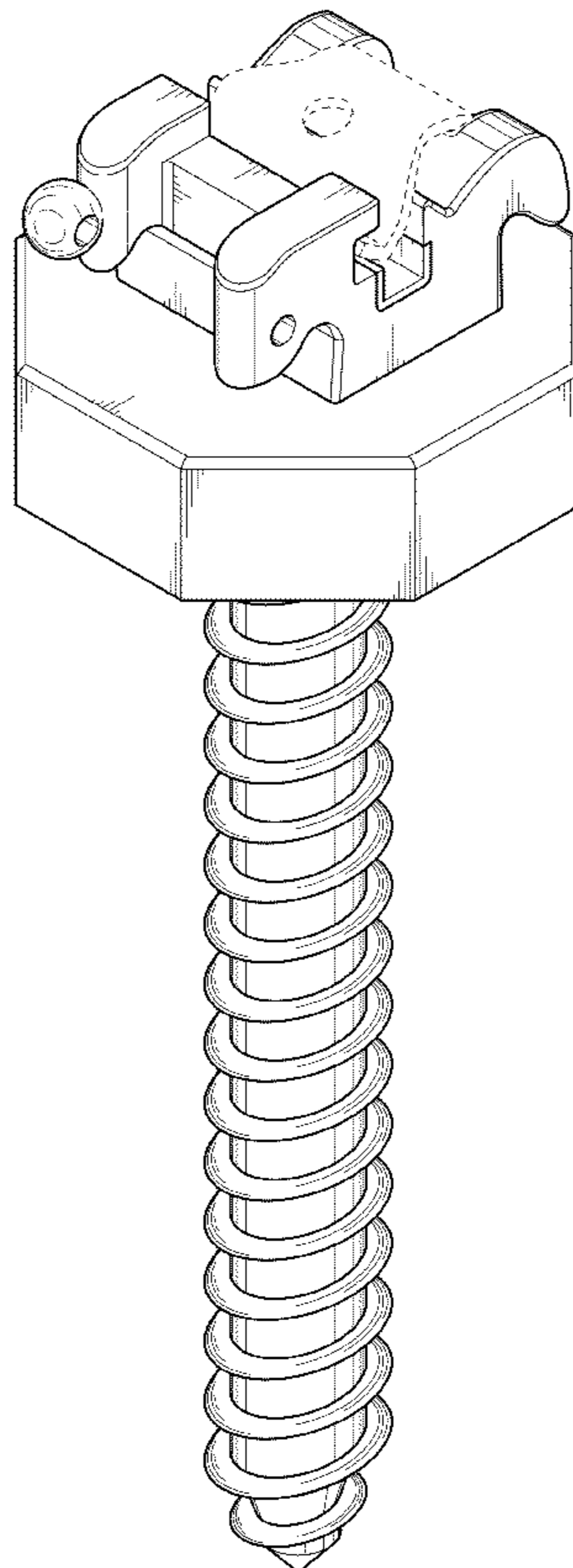
FIG. 5 is a back view of the design of FIG. 1.

FIG. 6 is a top view of the design of FIG. 1; and,

FIG. 7 is a bottom view of the design of FIG. 1.

The broken lines showing portions of the orthodontic anchorage device are included for the purpose of illustrating environmental structure and form no part of the claimed design.

**1 Claim, 6 Drawing Sheets**



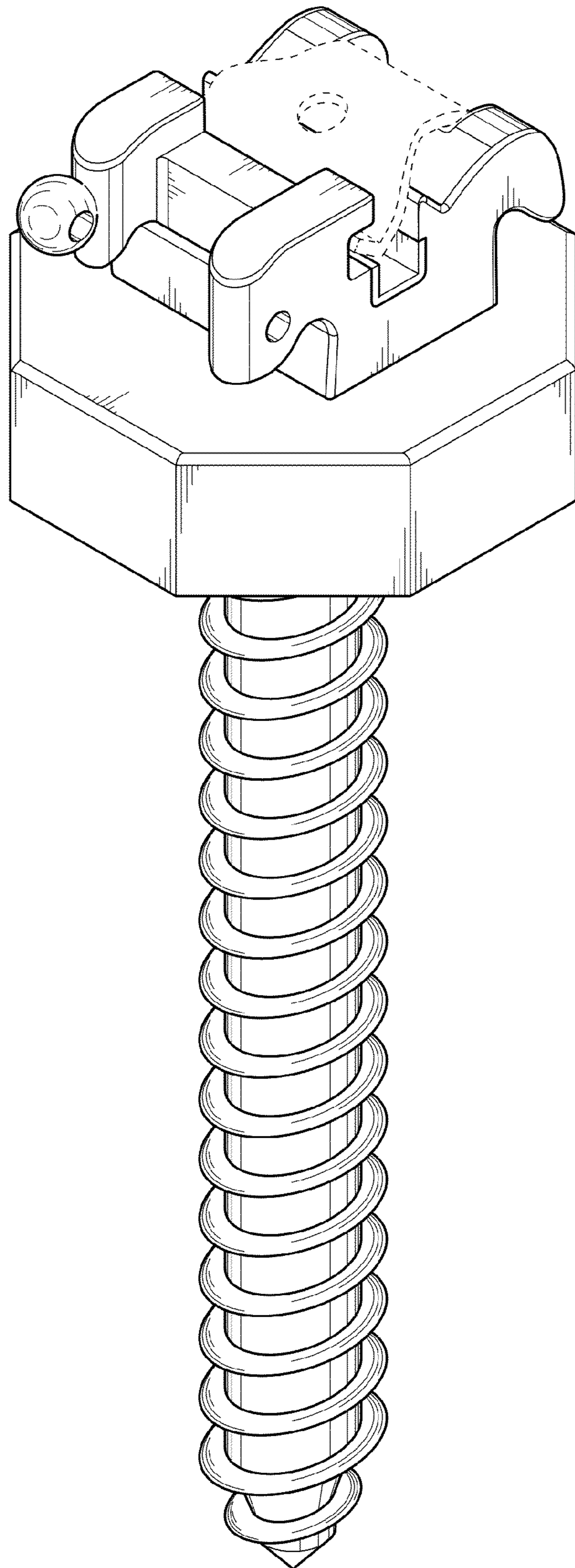


FIG. 1

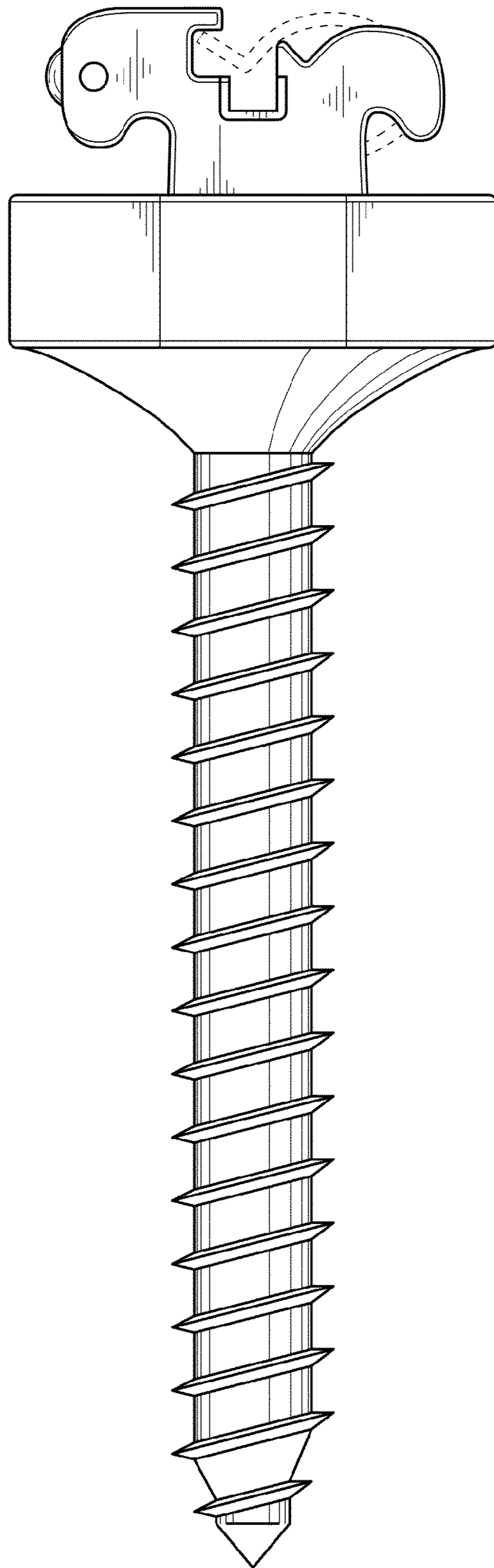


FIG. 2

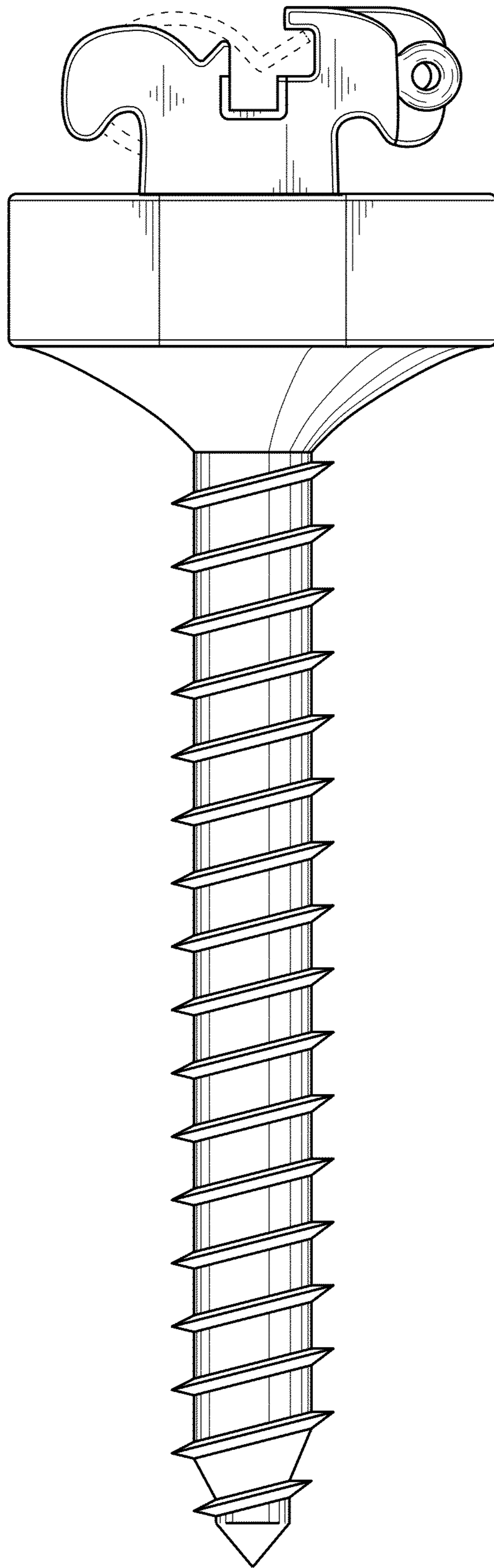
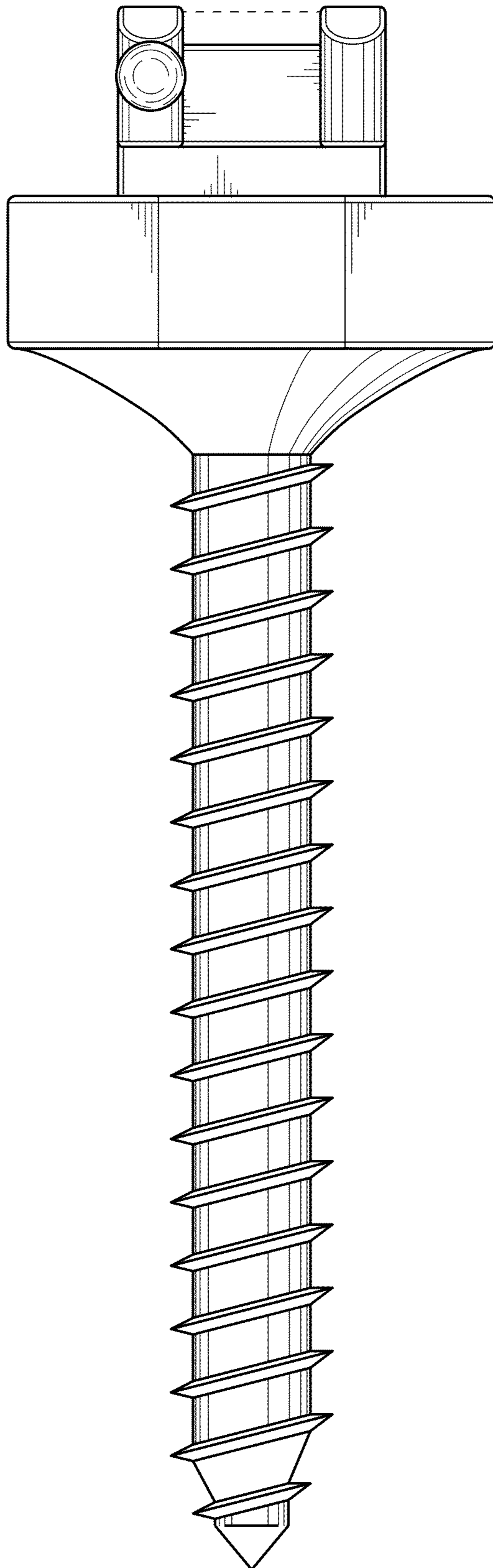


FIG. 3





**FIG. 4**

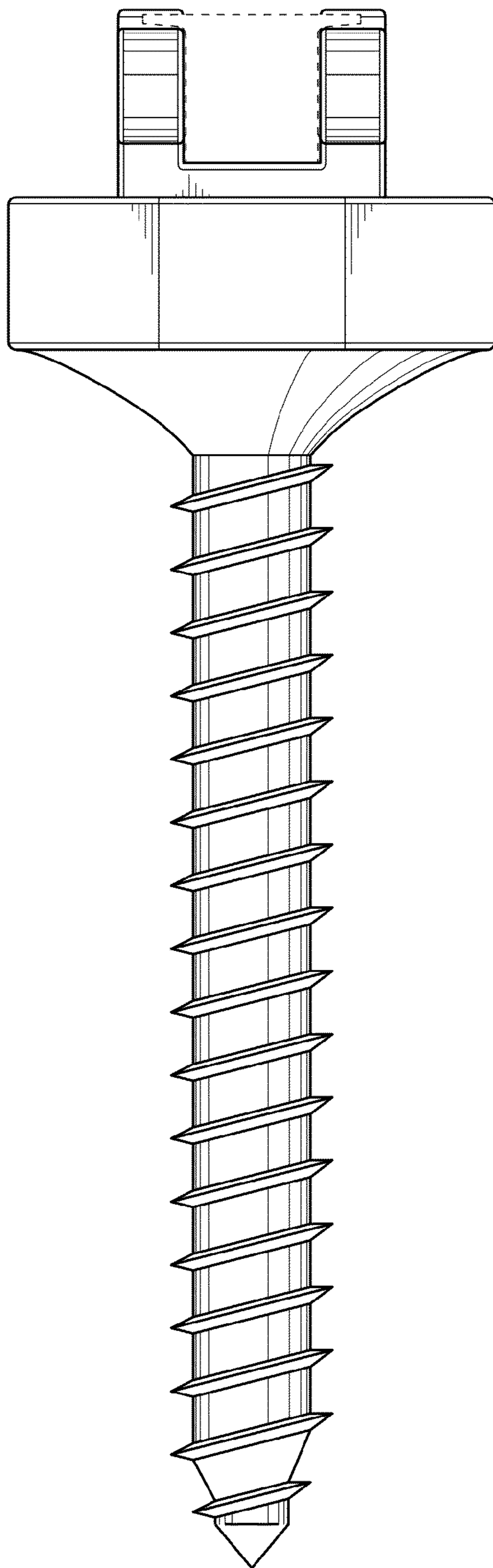


FIG. 5

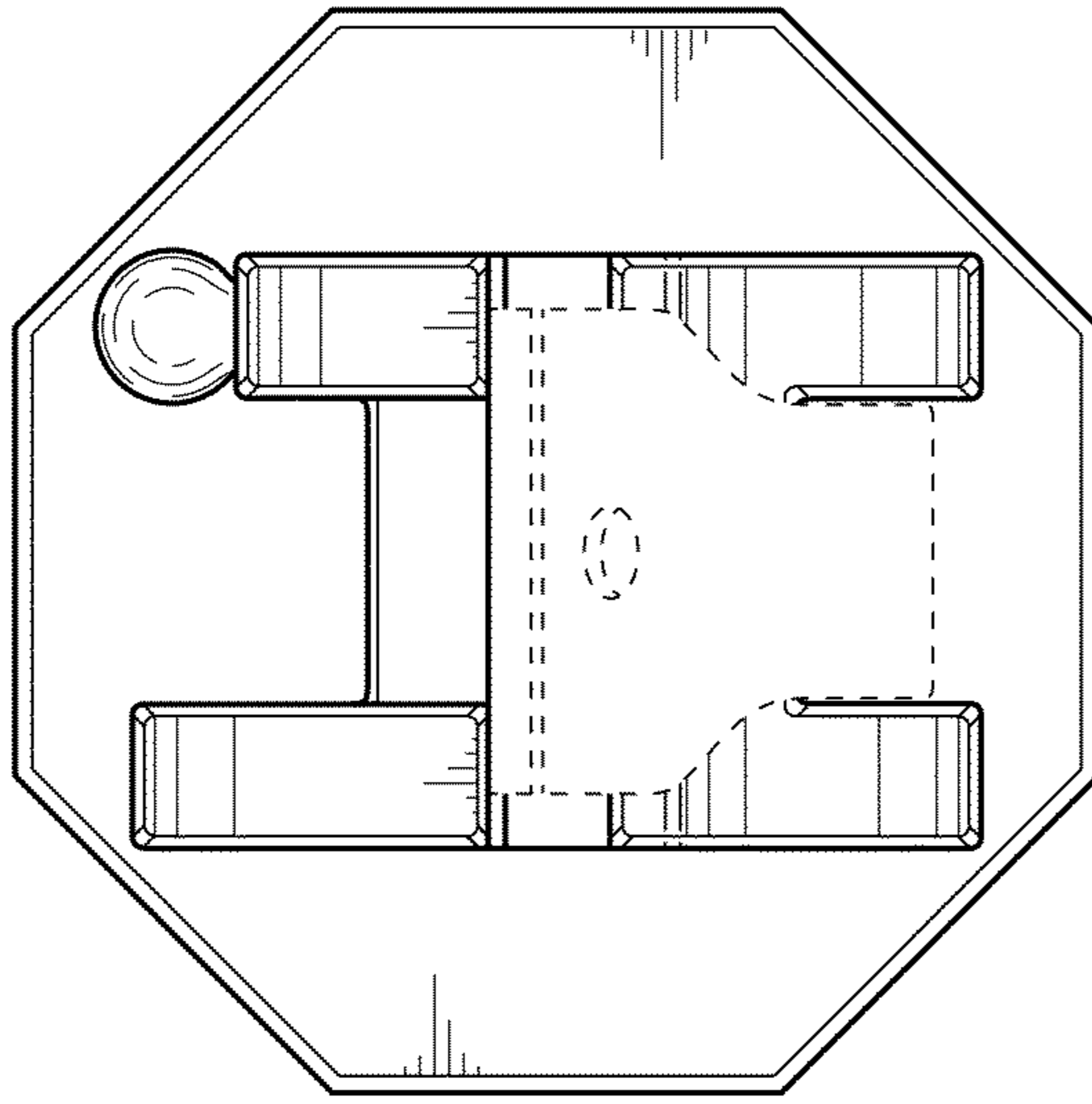


FIG. 6

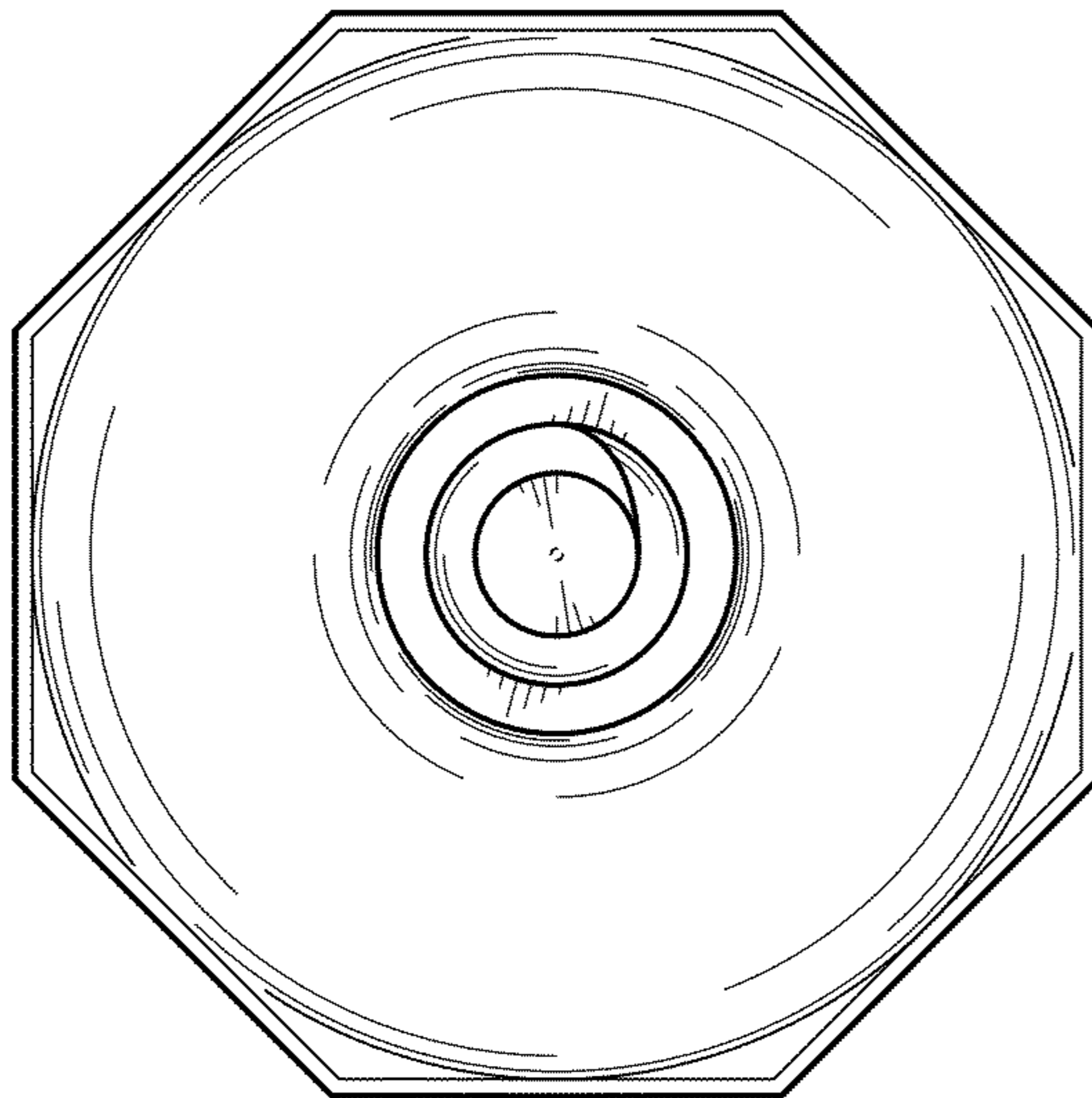


FIG. 7