



US00D744105S

(12) **United States Design Patent**
Voudouris

(10) **Patent No.:** **US D744,105 S**

(45) **Date of Patent:** **** Nov. 24, 2015**

(54) **ORTHODONTIC ANCHORAGE DEVICE**

D602,161 S *	10/2009	Yazdi	D24/156
7,780,444 B1 *	8/2010	Schendel	433/18
8,807,996 B2 *	8/2014	Benvegna' et al.	433/174
2011/0033813 A1 *	2/2011	Baughman et al.	433/18

(71) Applicant: **Orthoarm, Inc.**, Toronto (CA)

(72) Inventor: **John Voudouris**, Toronto (CA)

* cited by examiner

(73) Assignee: **Orthoarm, Inc.**, Toronto (CA)

Primary Examiner — Wan Laymon

(**) Term: **14 Years**

(74) *Attorney, Agent, or Firm* — McMillan LLP

(21) Appl. No.: **29/507,310**

(57) **CLAIM**

(22) Filed: **Oct. 27, 2014**

The ornamental design for a orthodontic anchorage device, as shown and described.

(51) **LOC (10) Cl.** **24-03**

(52) **U.S. Cl.**
USPC **D24/156**

DESCRIPTION

(58) **Field of Classification Search**
USPC D24/180–182, 155–156; D8/387, 393;
433/167, 173–174, 221, 225, 18
CPC .. A61C 8/0089; A61C 8/0066; A61C 8/0025;
A61C 1/084; A61C 8/0074; A61C 7/00;
A61C 5/005
See application file for complete search history.

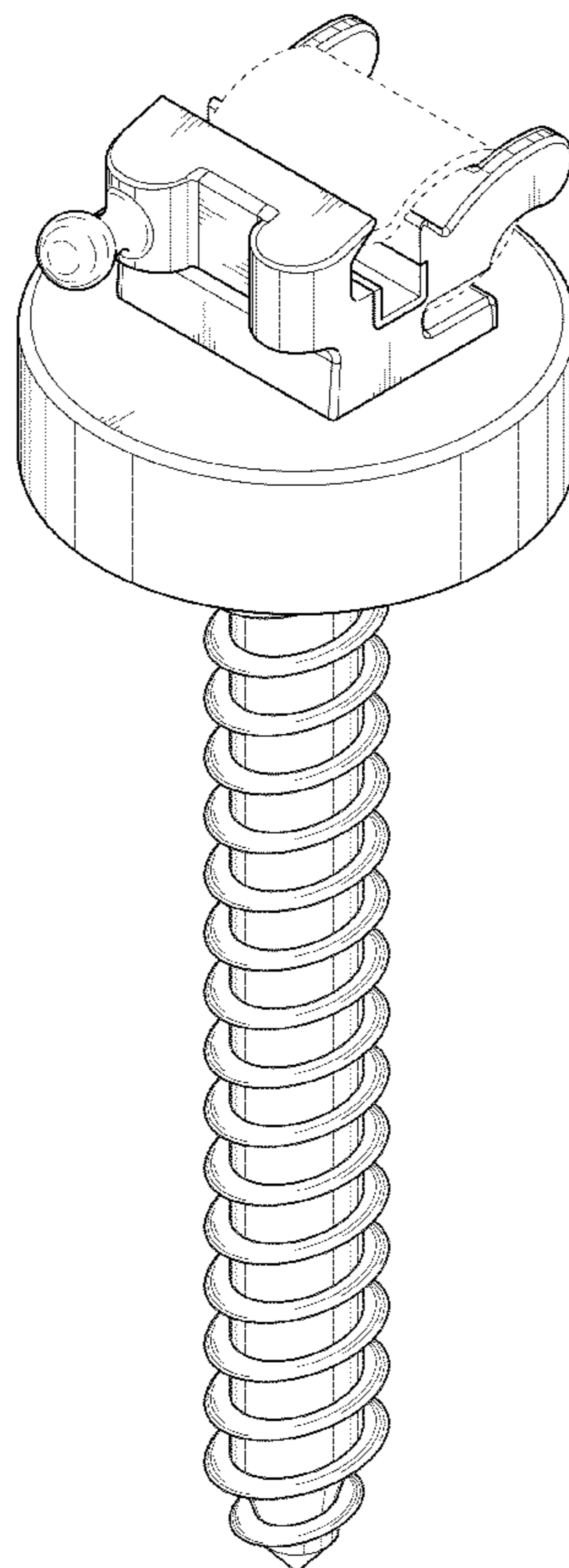
FIG. 1 is a perspective view of the orthodontic anchorage device.
FIG. 2 is a right side view of the design of FIG. 1.
FIG. 3 is a left side view of the design of FIG. 1.
FIG. 4 is a front view of the design of FIG. 1.
FIG. 5 is a back view of the design of FIG. 1.
FIG. 6 is a top view of the design of FIG. 1; and,
FIG. 7 is a bottom view of the design of FIG. 1.
The broken lines shown in the figures represent portions of the orthodontic anchorage device that form no part of the claimed design.

(56) **References Cited**

U.S. PATENT DOCUMENTS

D574,958 S *	8/2008	Schendel et al.	D24/156
D583,946 S *	12/2008	Schendel	D24/156

1 Claim, 6 Drawing Sheets



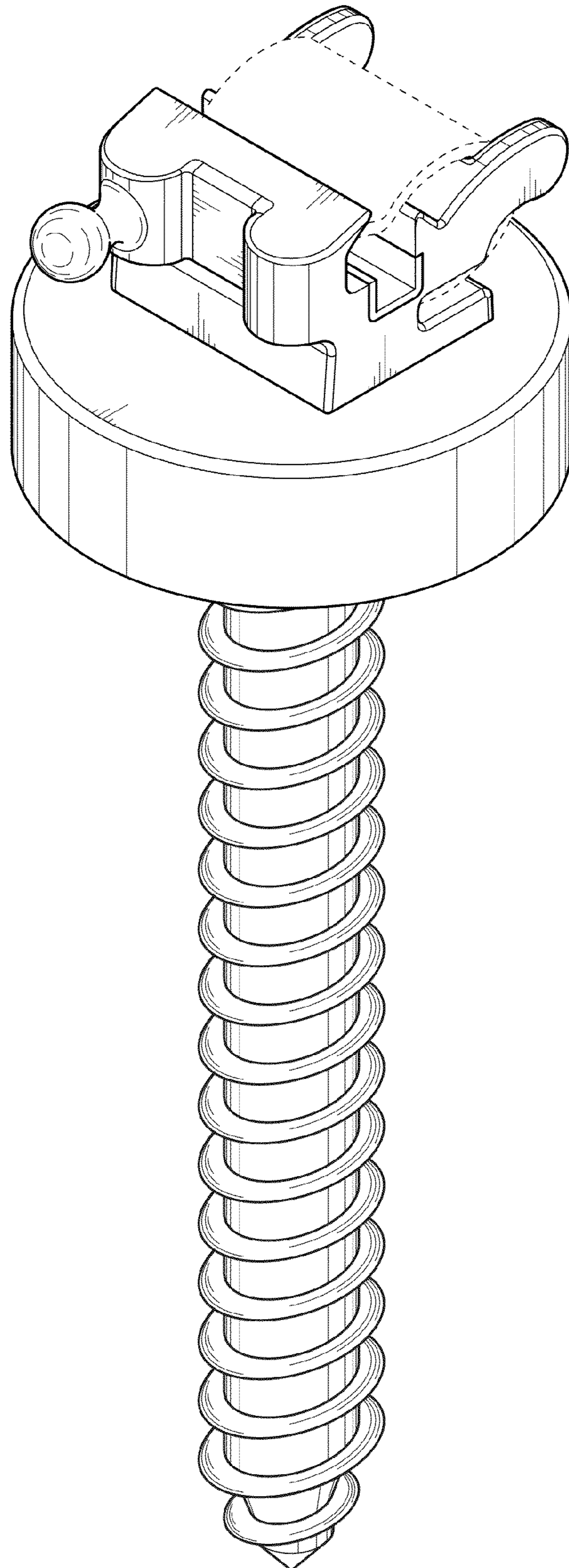


FIG. 1

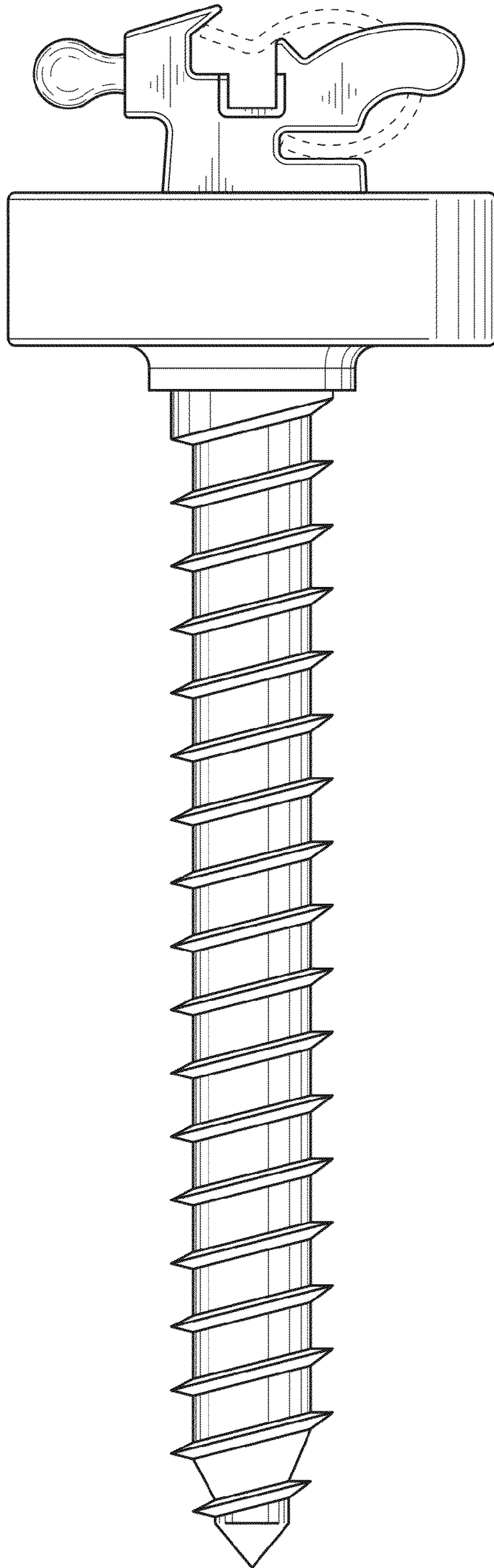


FIG. 2

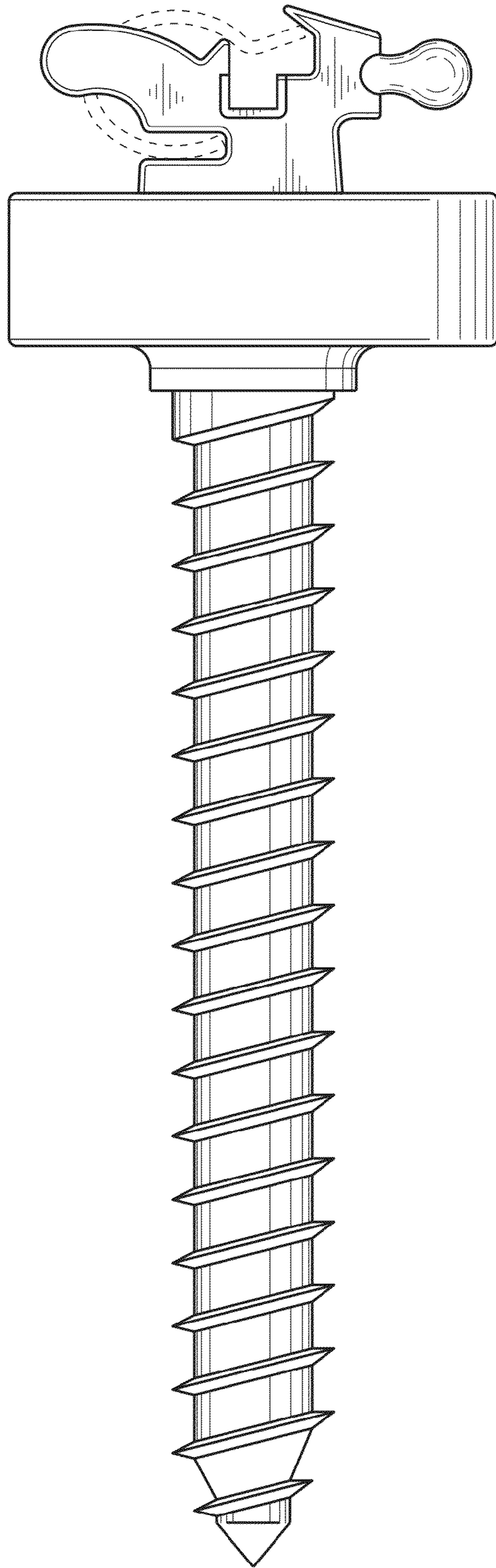


FIG. 3

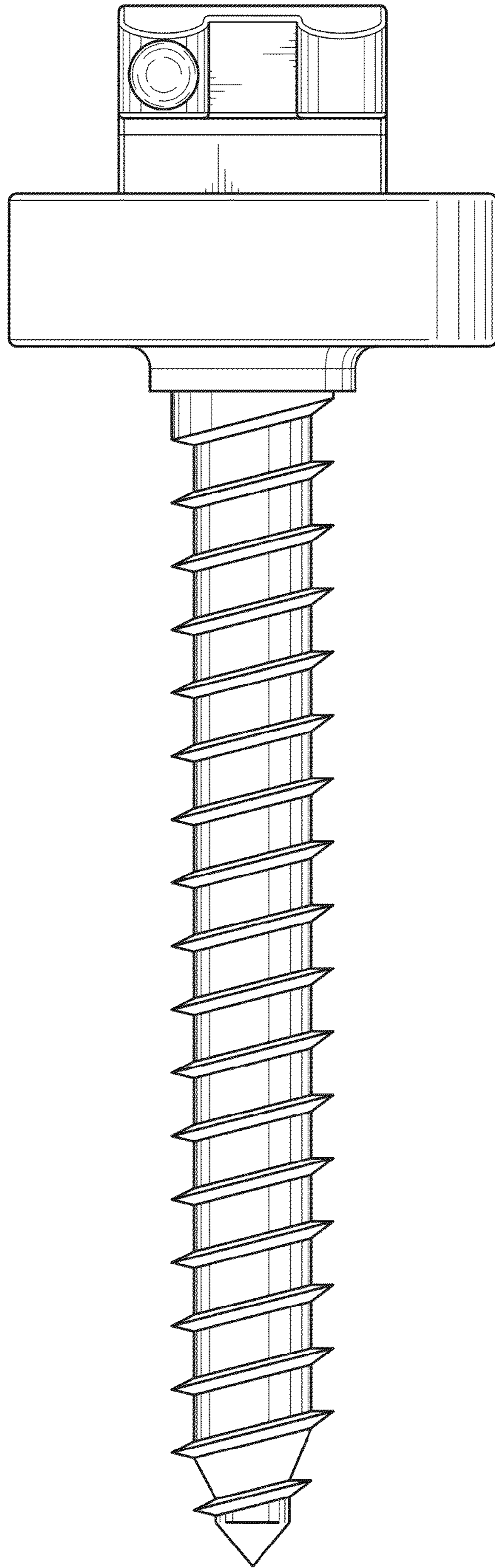


FIG. 4

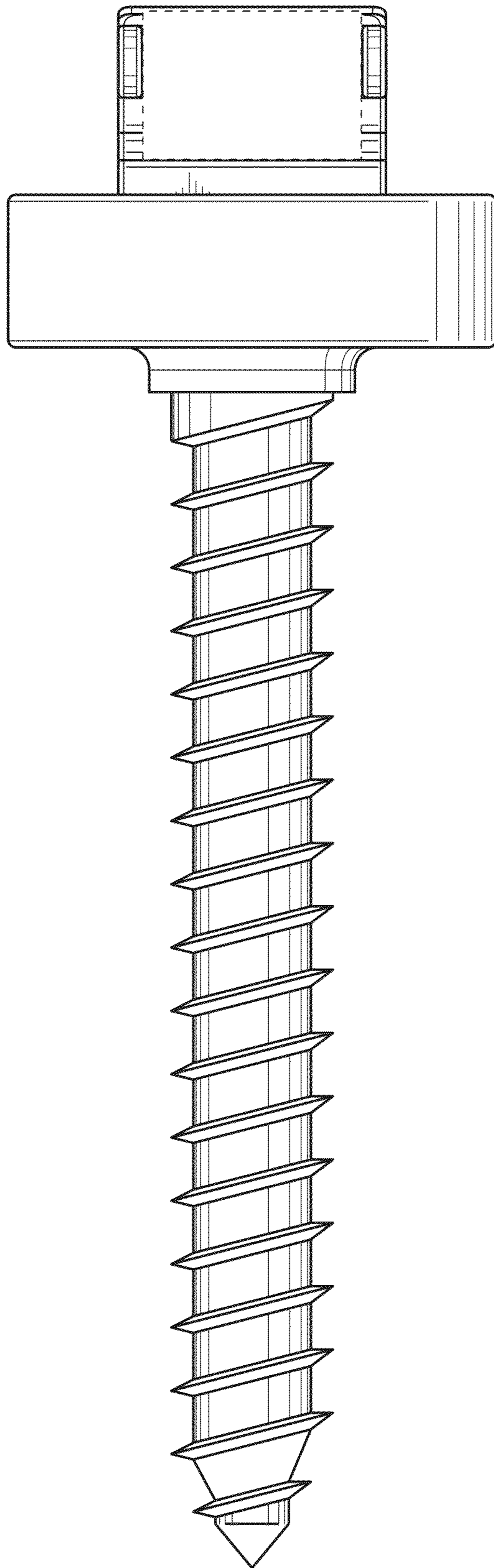


FIG. 5

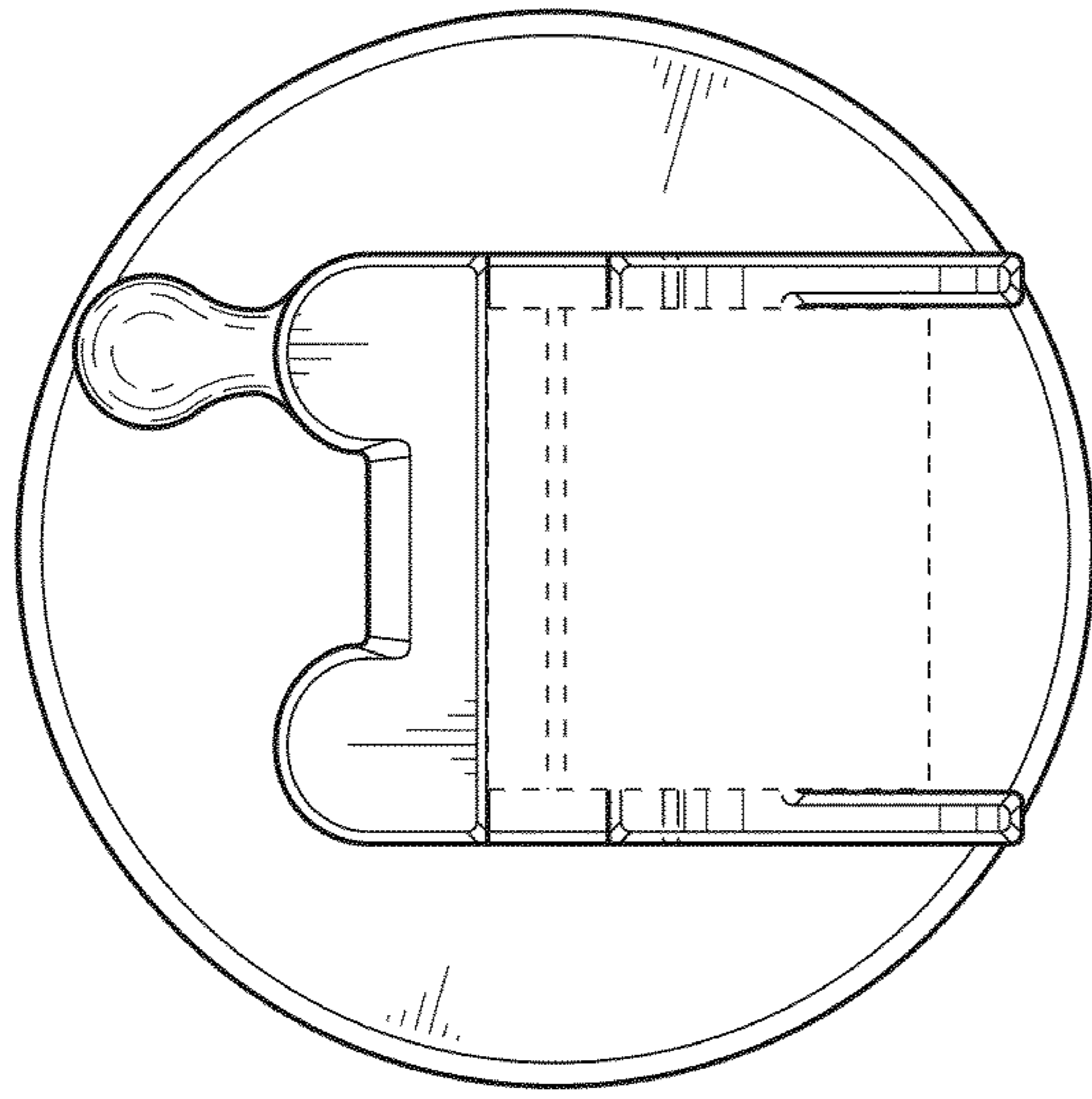


FIG. 6

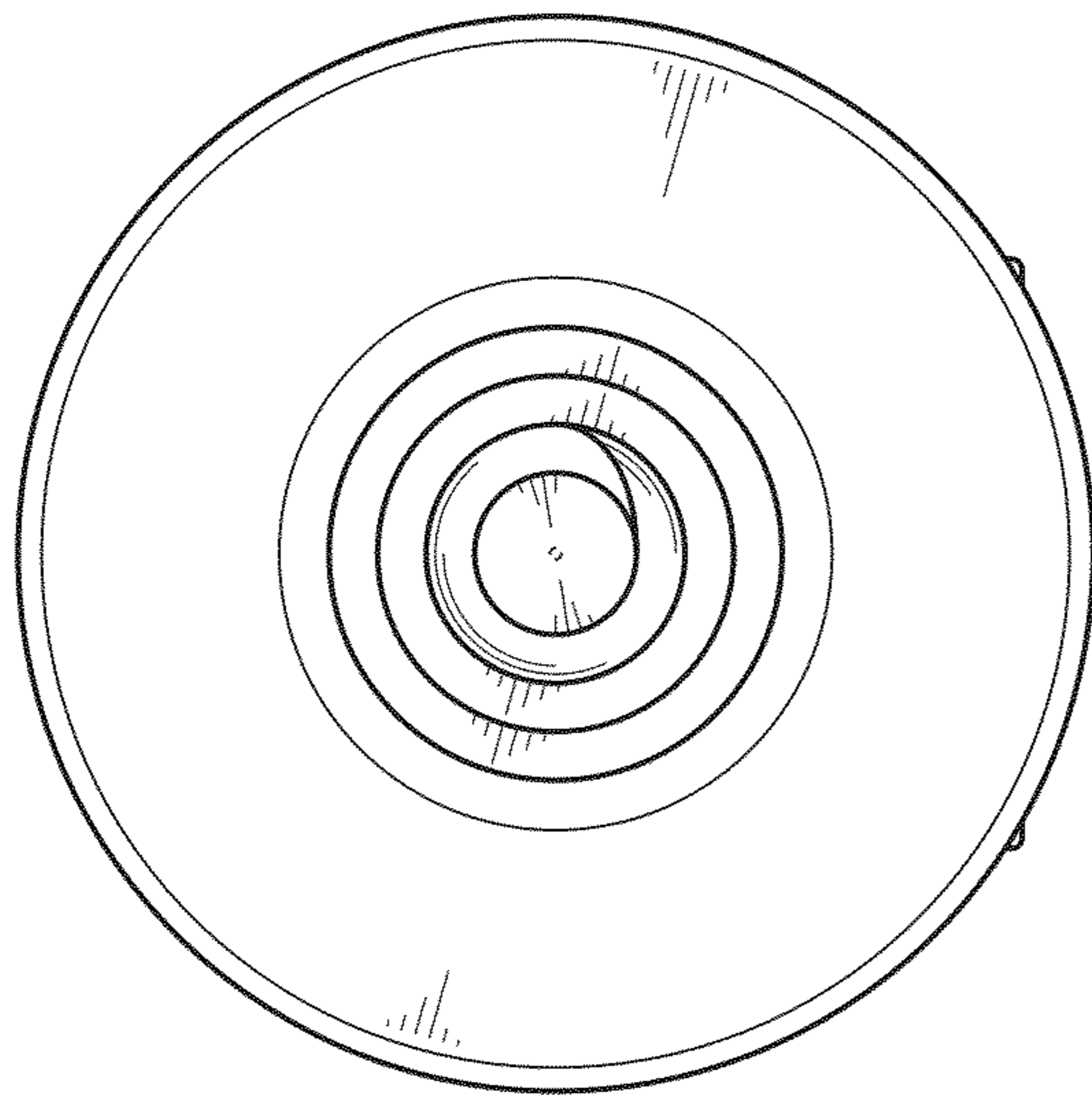


FIG. 7