



US00D744104S

(12) **United States Design Patent**  
**Bechtold et al.**

(10) **Patent No.:** **US D744,104 S**

(45) **Date of Patent:** **\*\* Nov. 24, 2015**

(54) **FEMORAL IMPLANT COMPONENT**

(71) Applicant: **MAKO Surgical Corp.**, Ft. Lauderdale, FL (US)

(72) Inventors: **Kevin Bechtold**, Ft. Lauderdale, FL (US); **Ali Abbasi**, Davie, FL (US); **Amit Mistry**, Ft. Lauderdale, FL (US); **Mark Nadzadi**, Davie, FL (US); **Jason Otto**, Plantation, FL (US); **Kartik Varadarajan**, Ft. Lauderdale, FL (US); **Tom Coon**, Redding, CA (US); **Ken Gustke**, Ft. Lauderdale, FL (US); **Richard Illgen**, Ft. Lauderdale, FL (US); **Stefan Kreuzer**, Ft. Lauderdale, FL (US); **Carlos Lavernia**, Coral Gables, FL (US); **Martin Roche**, Ft. Lauderdale, FL (US); **Harry Rubash**, Ft. Lauderdale, FL (US)

(73) Assignee: **MAKO Surgical Corp.**, Ft. Lauderdale, FL (US)

(\*\*) Term: **14 Years**

(21) Appl. No.: **29/466,148**

(22) Filed: **Sep. 4, 2013**

**Related U.S. Application Data**

(63) Continuation-in-part of application No. 13/340,645, filed on Dec. 29, 2011, and a continuation-in-part of application No. 13/340,636, filed on Dec. 29, 2011.

(51) **LOC (10) Cl.** ..... **24-02**

(52) **U.S. Cl.**  
USPC ..... **D24/155**

(58) **Field of Classification Search**  
USPC ..... D24/155-156, 176, 171; D15/21, 28; 433/172-174; 623/17.16, 17.17, 11.11, 623/23.26, 23.27; 606/266, 328, 54, 264, 606/273, 250  
CPC ..... A61F 2/3859; A61F 2/38; A61F 2/389; A61F 2/3886; A61F 2310/00023

See application file for complete search history.

(56) **References Cited**

U.S. PATENT DOCUMENTS

3,816,855 A 6/1974 Saleh  
3,869,731 A 3/1975 Waugh et al.

(Continued)

FOREIGN PATENT DOCUMENTS

EP 1 174 099 1/2002  
FR 2676916 12/1992  
GB 2 464 862 5/2010

OTHER PUBLICATIONS

International Search Report and Written Opinion for International Application No. PCT/US2012/070531, mailed May 27, 2013, 18 pages.

(Continued)

*Primary Examiner* — Susan Bennett Hattan

*Assistant Examiner* — Charles Hanson

(74) *Attorney, Agent, or Firm* — Foley & Lardner LLP

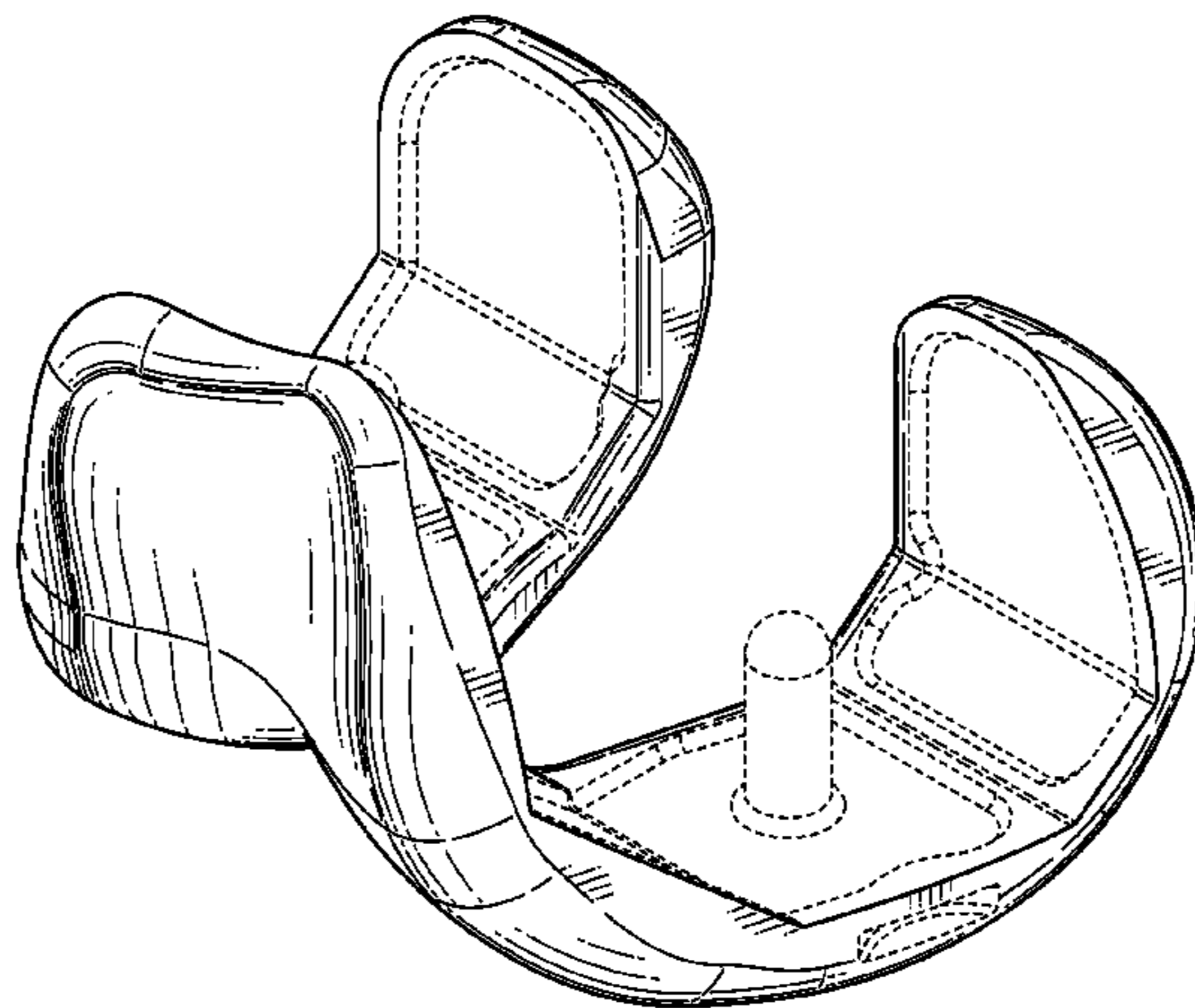
(57) **CLAIM**

We claim the ornamental design for a femoral implant component, as shown and described.

**DESCRIPTION**

FIG. 1 is a front perspective view from above of a femoral implant component showing the claimed design; FIG. 2 is a left side perspective view from above of the claimed design of FIG. 1; FIG. 3 is a right side perspective view from above of the claimed design of FIG. 1; FIG. 4 is a front perspective view from below left of the claimed design of FIG. 1; FIG. 5 is front perspective view from below right of the claimed design of FIG. 1; FIG. 6 is a top view of the claimed design of FIG. 1; FIG. 7 is a bottom view of the claimed design of FIG. 1; FIG. 8 is a front view of the claimed design of FIG. 1; FIG. 9 is a rear side view of the claimed design of FIG. 1; FIG. 10 is a right side view of the claimed design of FIG. 1; and, FIG. 11 is a left side view of the claimed design of FIG. 1. The broken lines in the drawings are for illustrative purposes only and form no part of the claimed design.

**1 Claim, 8 Drawing Sheets**



(56)

**References Cited**

U.S. PATENT DOCUMENTS

4,207,627 A 6/1980 Cloutier  
 4,586,933 A 5/1986 Shoji et al.  
 4,659,331 A \* 4/1987 Matthews et al. .... 623/20.21  
 D291,003 S \* 7/1987 Huckstep ..... D24/155  
 5,037,439 A 8/1991 Albrektsson et al.  
 5,137,536 A 8/1992 Koshino  
 D374,078 S \* 9/1996 Johnson et al. .... D24/155  
 5,681,354 A 10/1997 Eckhoff  
 D473,307 S \* 4/2003 Cooke ..... D24/155  
 6,969,393 B2 11/2005 Pinczewski et al.  
 D625,415 S \* 10/2010 Otto et al. .... D24/155  
 7,918,893 B2 4/2011 Romeis et al.  
 D649,639 S \* 11/2011 Bertoni et al. .... D24/140  
 8,066,776 B2 11/2011 O'Connor et al.  
 8,163,028 B2 4/2012 Metzger et al.  
 D661,808 S \* 6/2012 Kang ..... D24/155  
 8,292,965 B2 10/2012 Walker  
 8,529,631 B2 9/2013 Donno et al.  
 8,715,359 B2 \* 5/2014 Deffenbaugh et al. .... 623/20.29  
 2006/0004460 A1 1/2006 Engh et al.  
 2009/0062925 A1 3/2009 Samuelson  
 2009/0076604 A1 3/2009 Linares

2010/0305710 A1 12/2010 Metzger et al.  
 2011/0190898 A1 8/2011 Lenz et al.  
 2011/0264097 A1 10/2011 Hodorek et al.  
 2012/0078262 A1 3/2012 Pinczewski et al.  
 2012/0179266 A1 7/2012 Collazo  
 2012/0209394 A1 8/2012 Bojarski et al.

OTHER PUBLICATIONS

International Search Report and Written Opinion for International Application No. PCT/US2012/070930, mailed May 27, 2013, 16 pages.  
 Invitation to Pay Additional Fees and Communication Relating to the Results of the Partial International Search for International Application No. PCT/US2012/070531, mailed Mar. 6, 2013, 7 pages.  
 Invitation to Pay Additional Fees and Partial International Search for International Application No. PCT/US2012/070930, mailed Mar. 22, 2013, 6 pages.  
 Pritchett, James W., BioPro: Equalizer Modular Total Knee Replacement, available at least as early as 1999, 19 pages.  
 Townley, Charles O., Total Knee Arthroplasty: A Personal Retrospective and Prospective Review, Clinical Orthopaedics and Related Research, No. 236, 1988, 15 pages.

\* cited by examiner

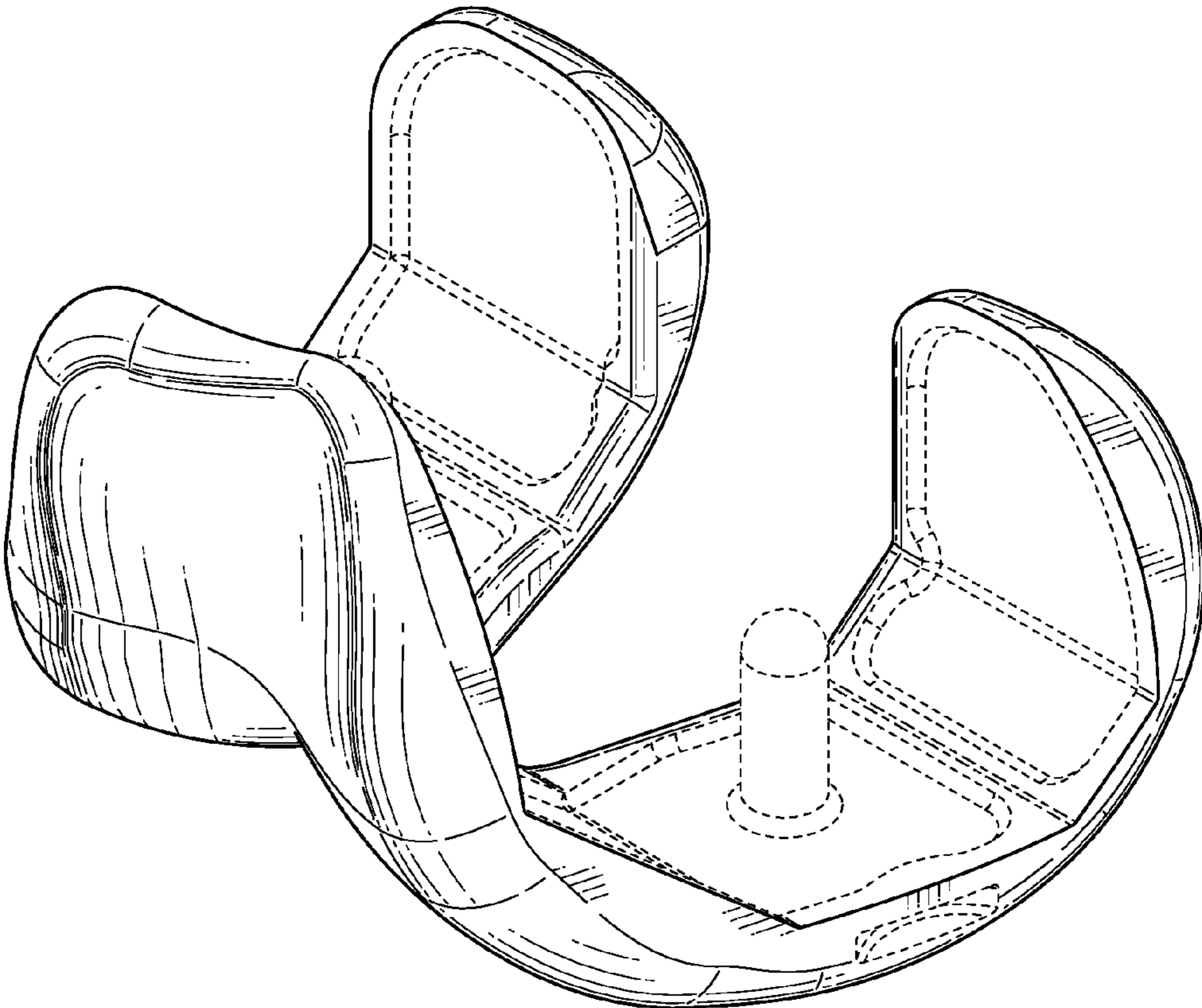


FIG. 1



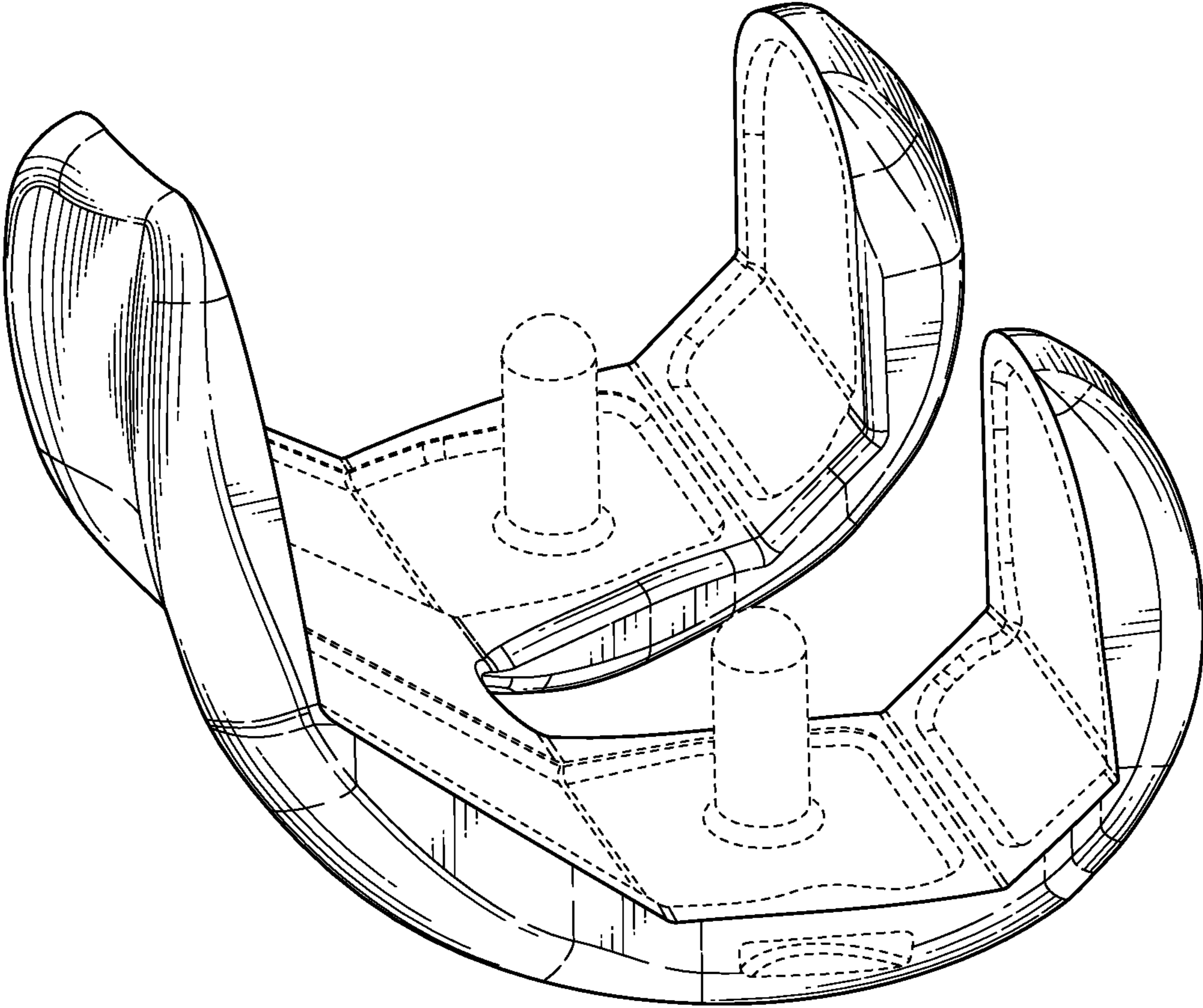


FIG. 2

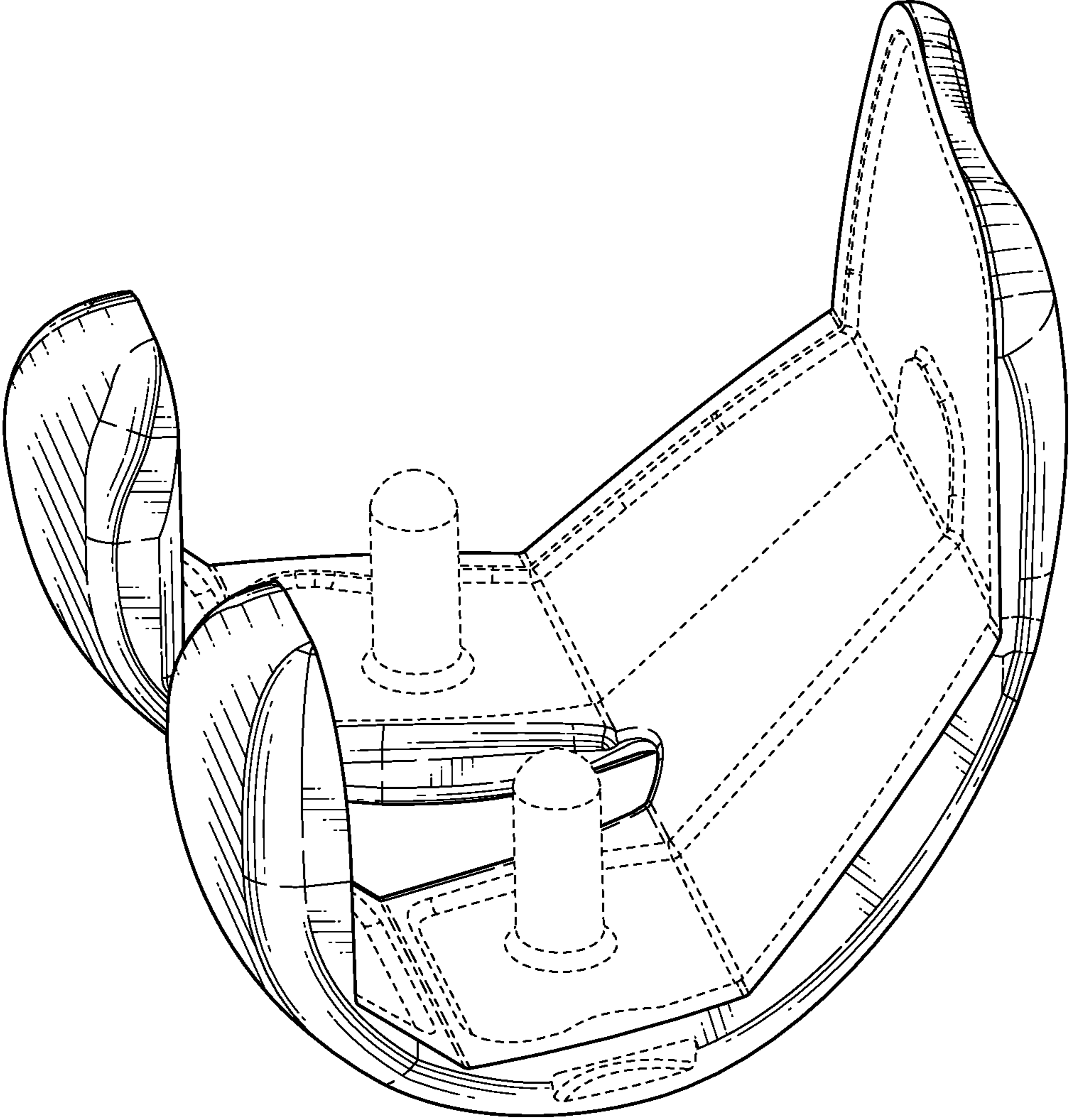


FIG. 3

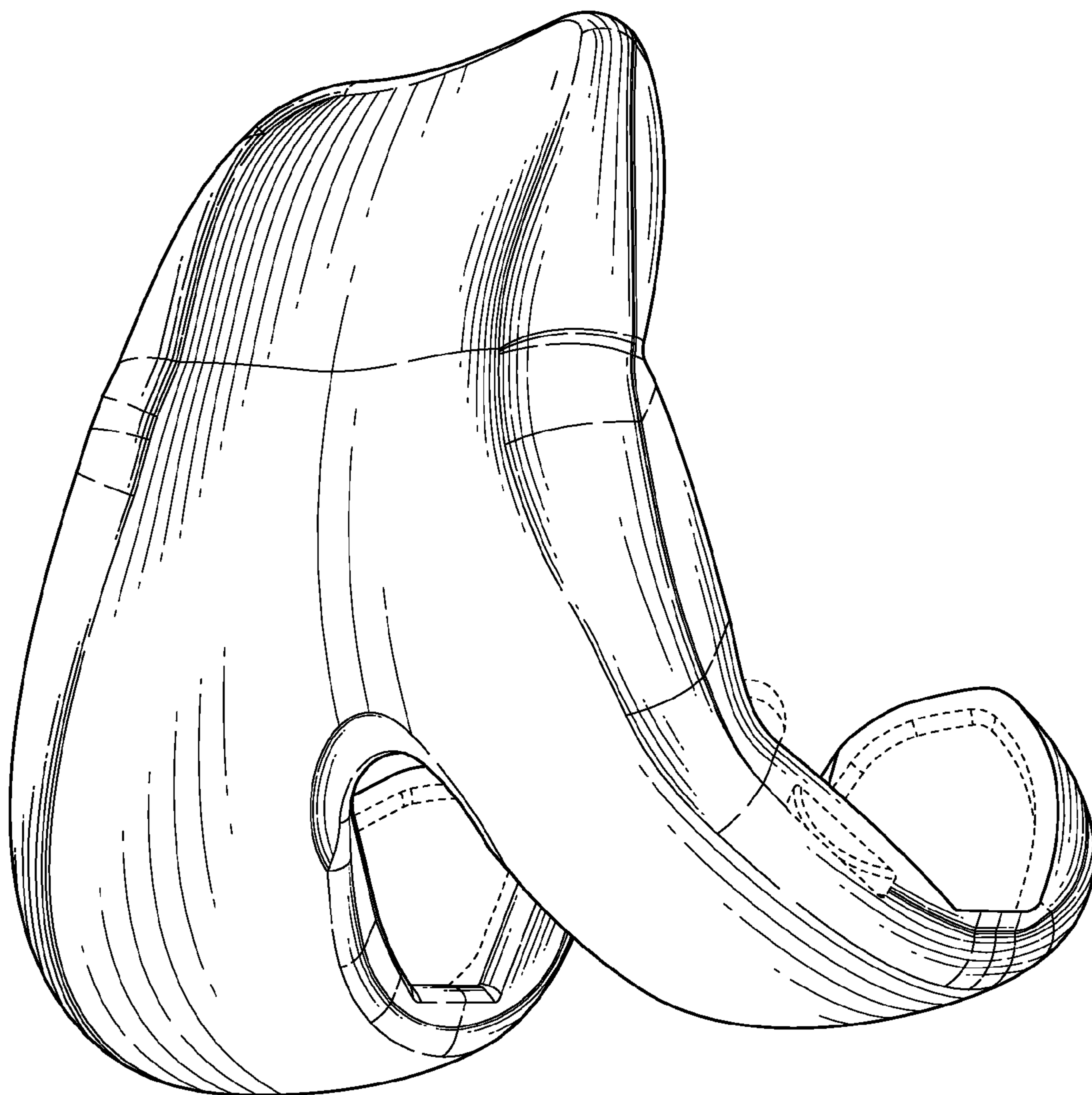


FIG. 4

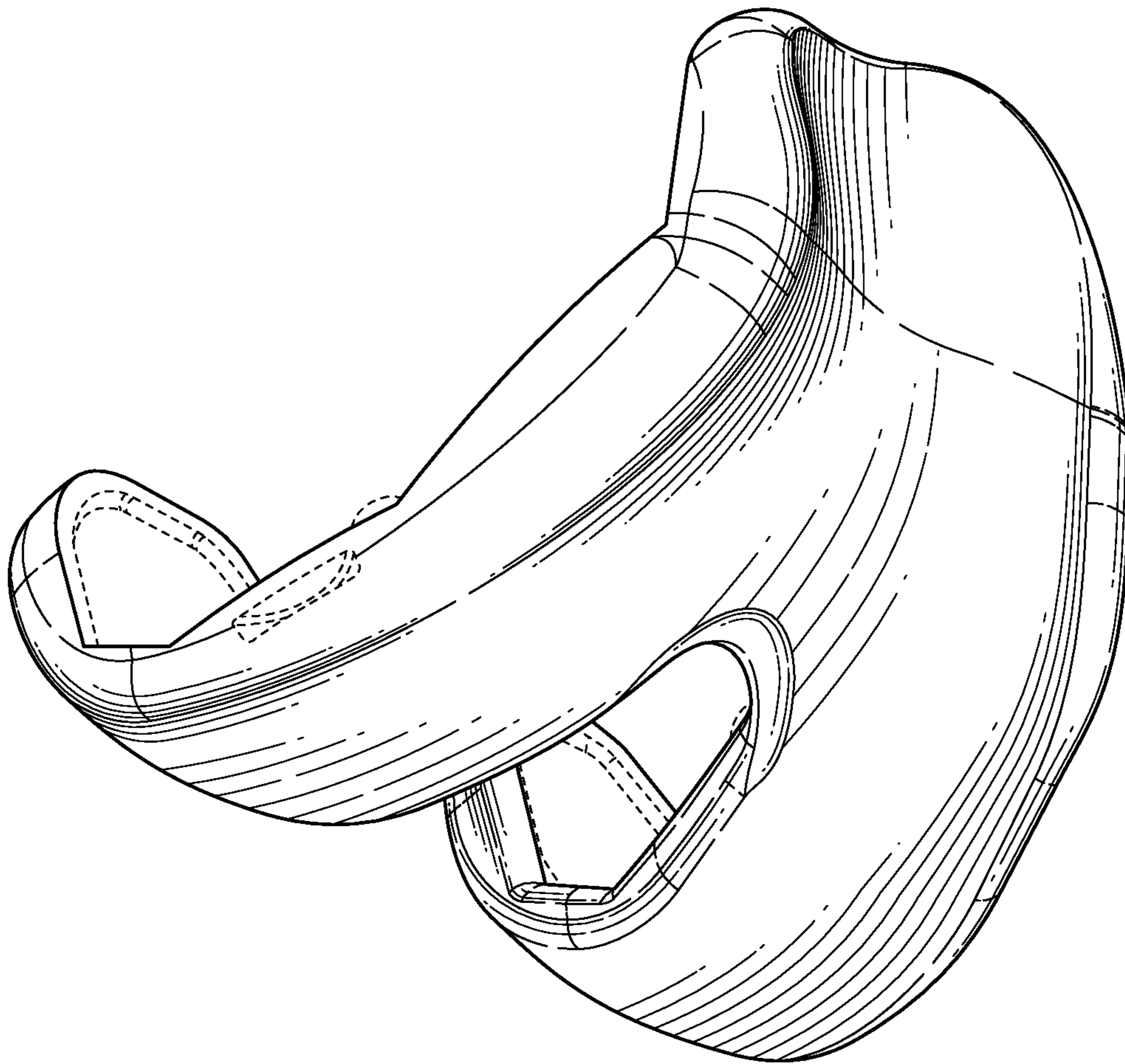


FIG. 5

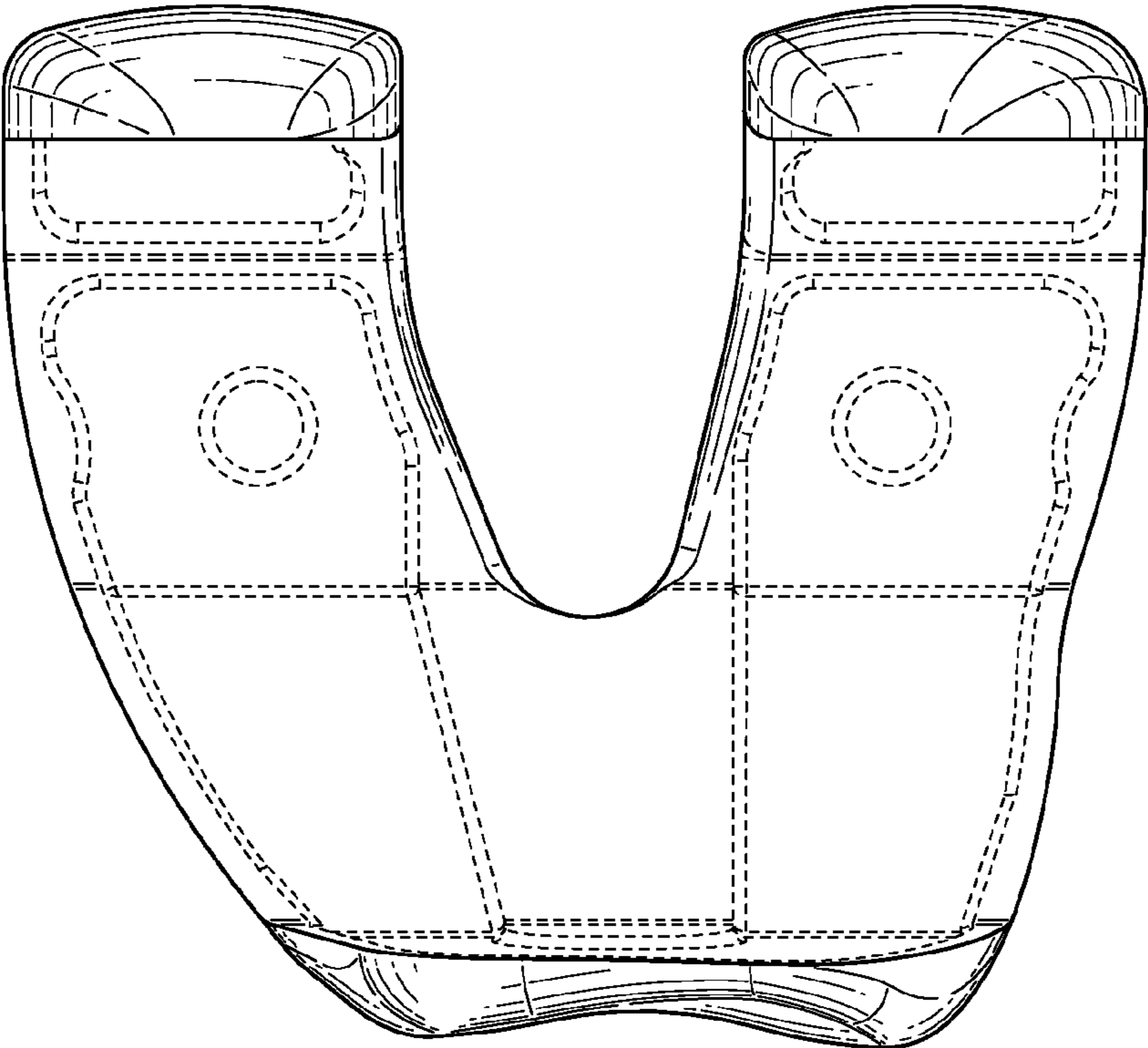


FIG. 6

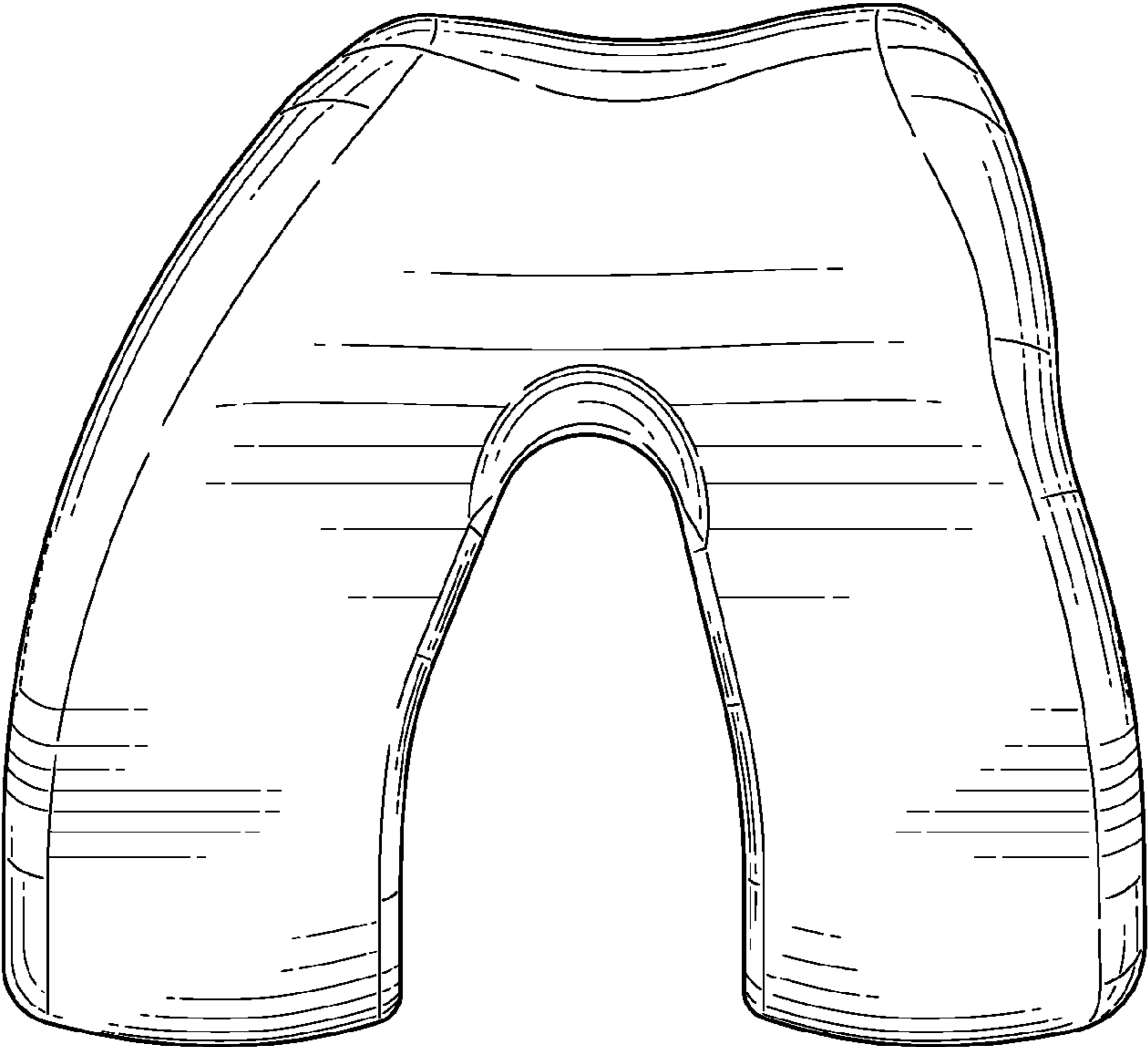


FIG. 7



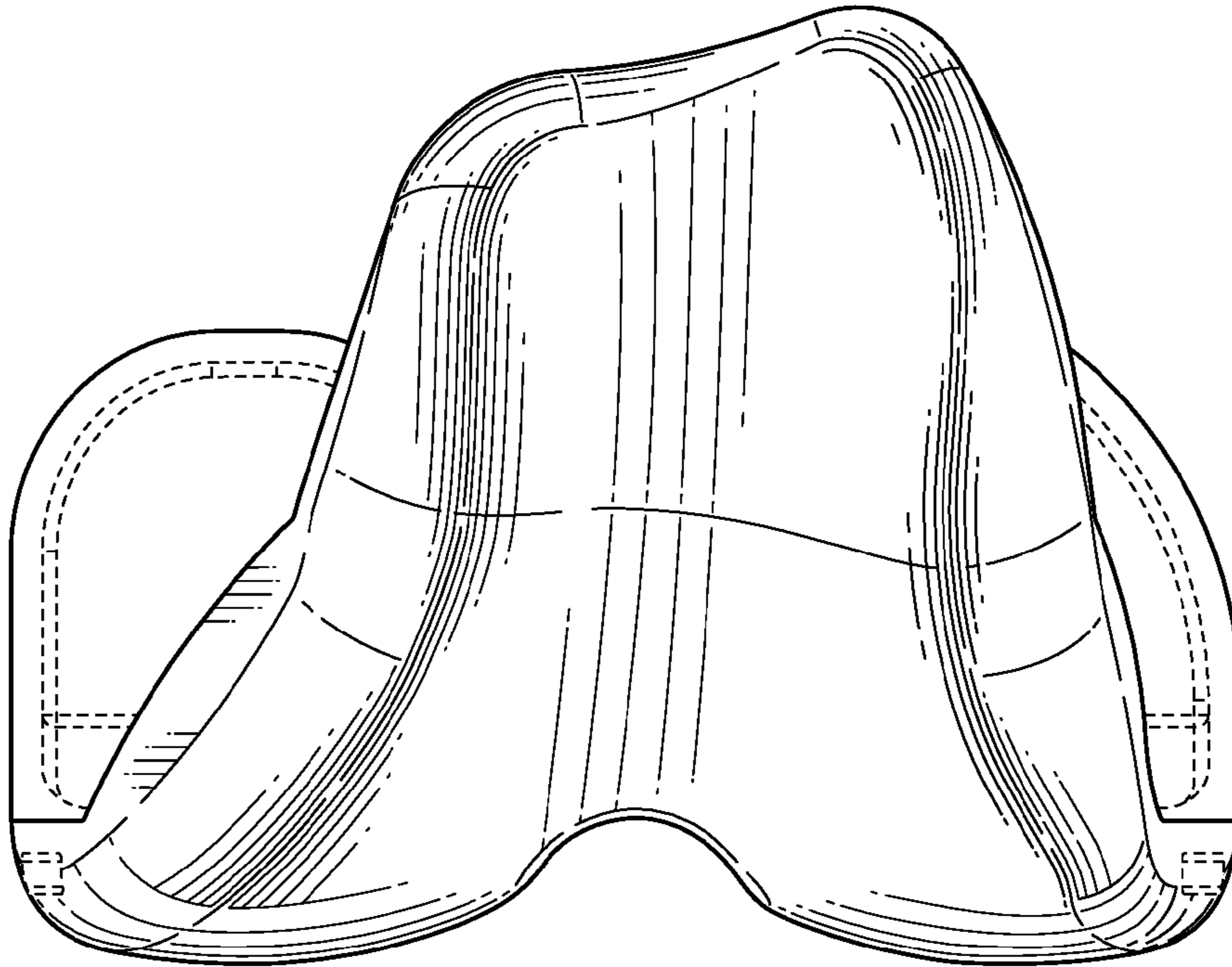


FIG. 8

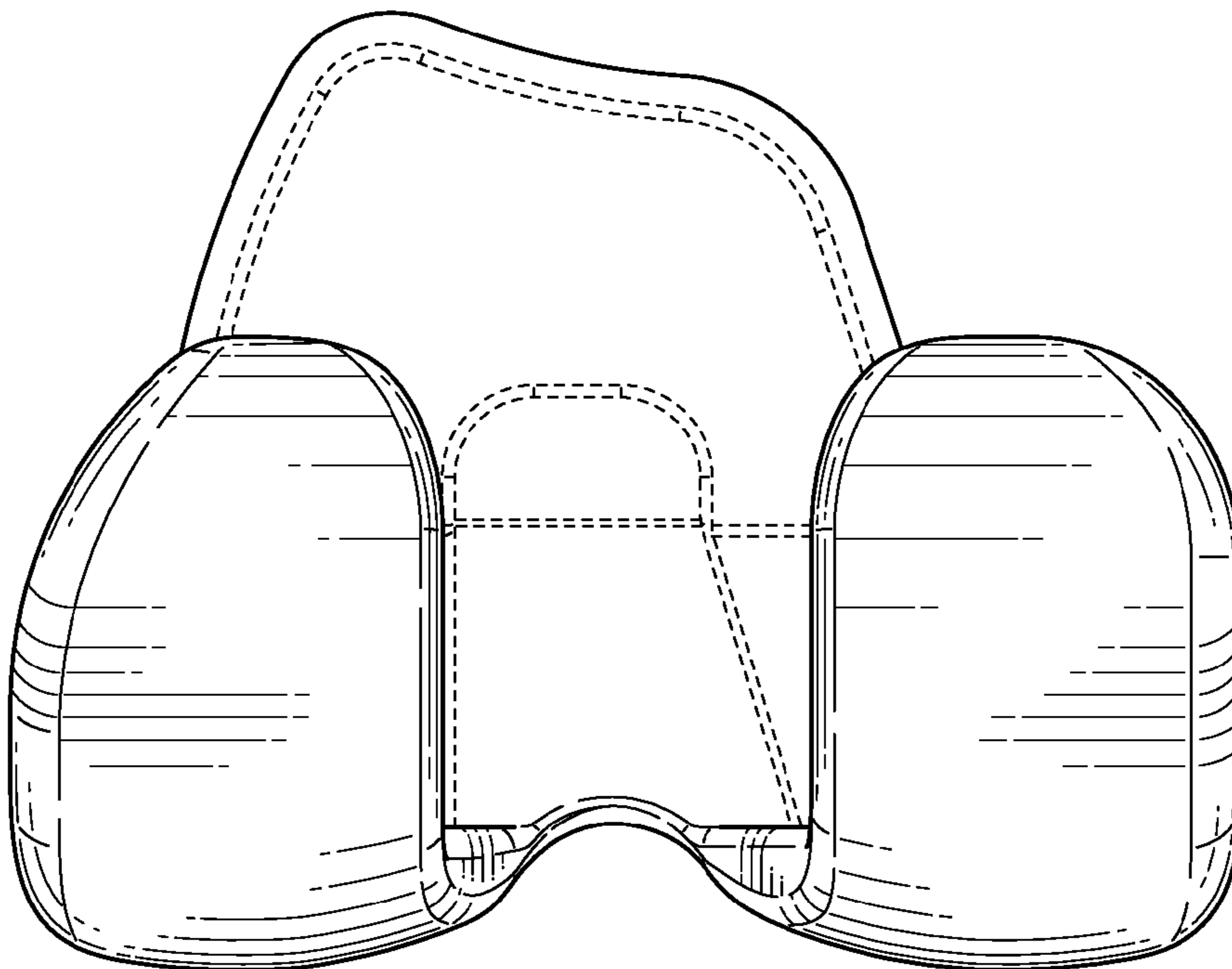


FIG. 9

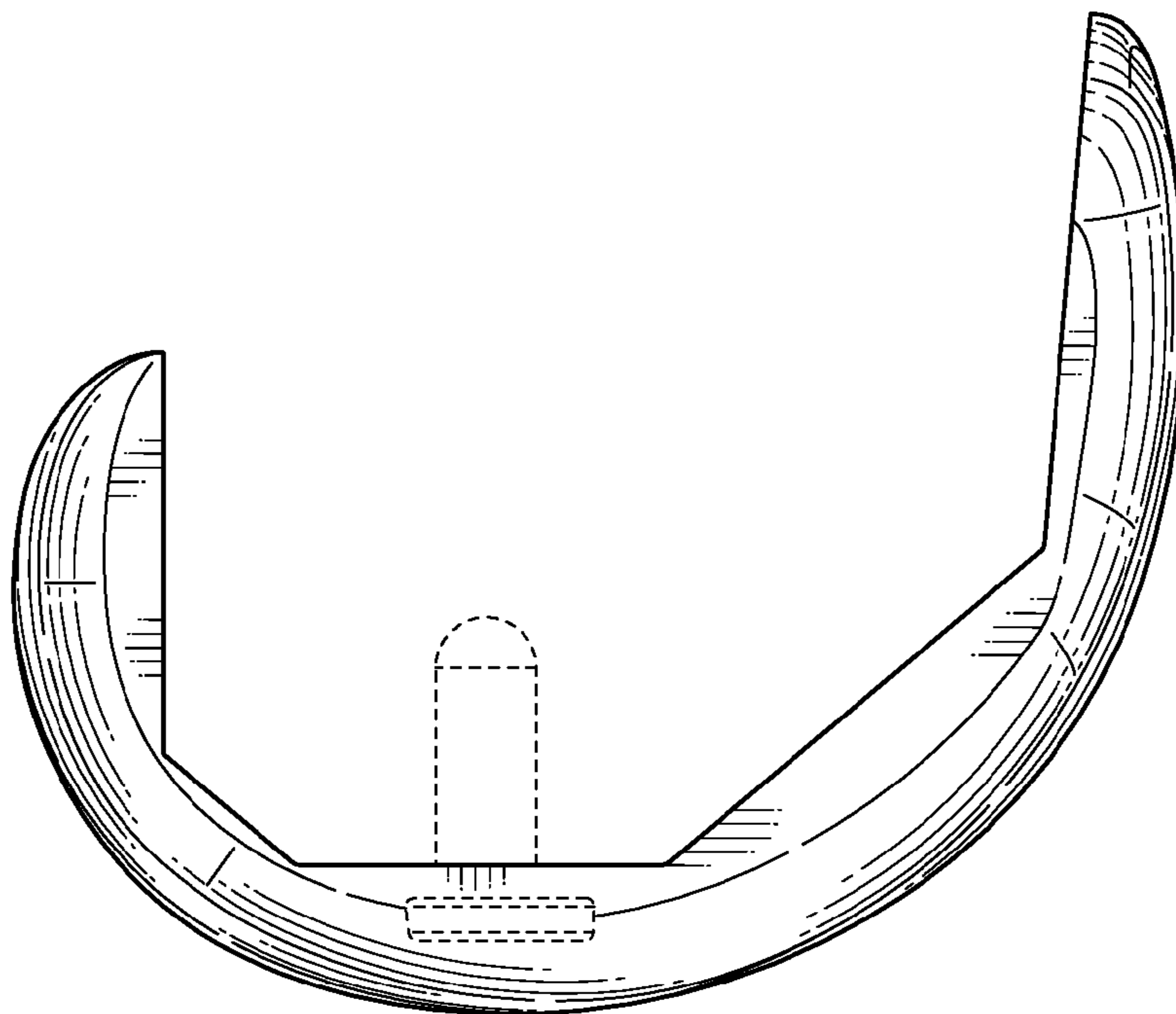


FIG. 10

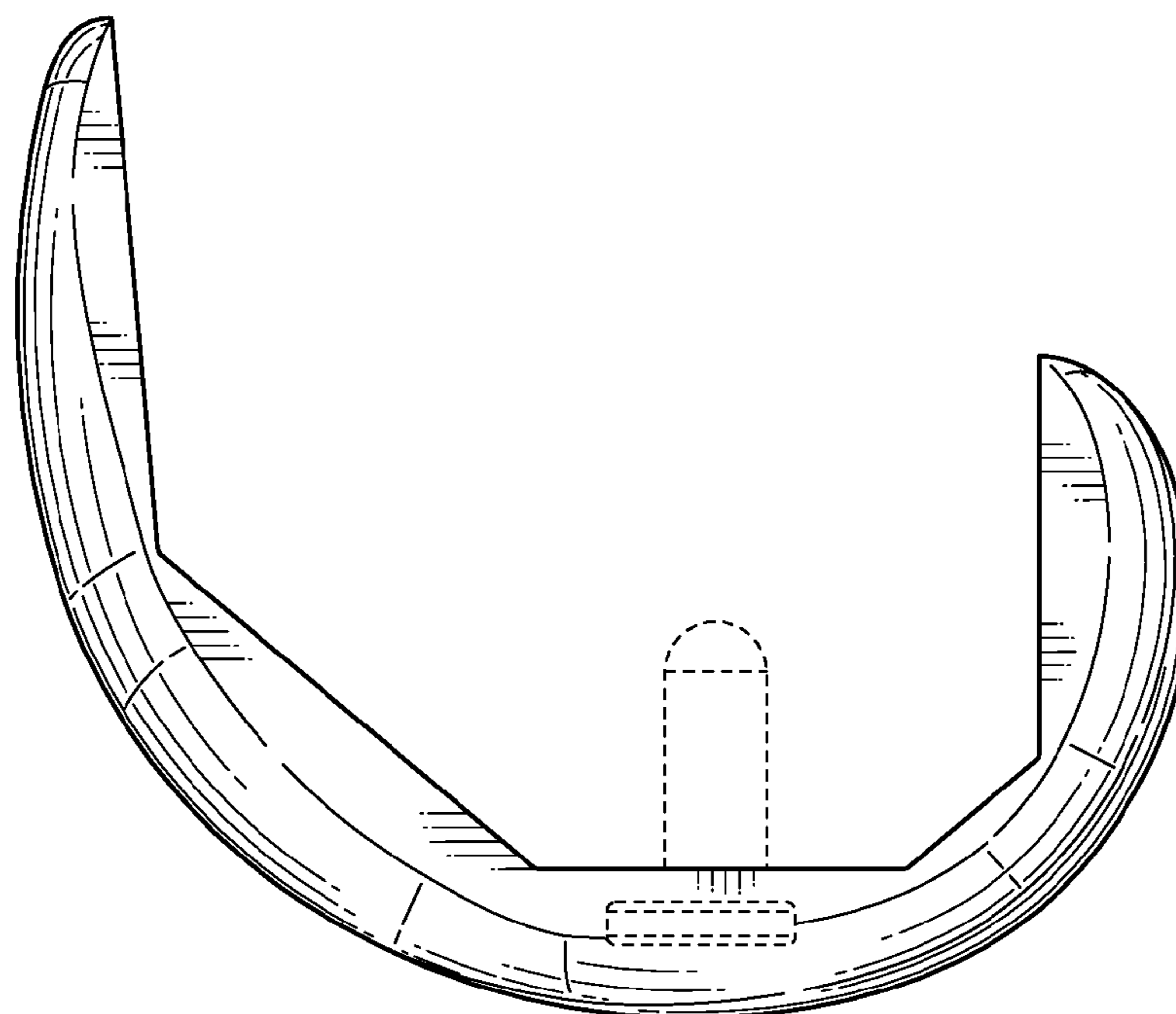


FIG. 11