



US00D744103S

(12) **United States Design Patent**  
**Irwin et al.**

(10) **Patent No.:** **US D744,103 S**  
(45) **Date of Patent:** **\*\* Nov. 24, 2015**

(54) **TIBIAL BASEPLATE**

(56) **References Cited**

(71) Applicant: **MAKO Surgical Corp.**, Ft. Lauderdale, FL (US)

U.S. PATENT DOCUMENTS

3,816,855 A 6/1974 Saleh  
3,869,731 A 3/1975 Waugh et al.

(72) Inventors: **Ron Irwin**, Stuart, FL (US); **Ali Abbasi**, Davie, FL (US); **Mark Nadzadi**, Memphis, TN (US); **Jason Otto**, Plantation, FL (US); **Tom Coon**, Redding, CA (US); **Ken Gustke**, Ft. Lauderdale, FL (US); **Richard Illgen**, Ft. Lauderdale, FL (US); **Stefan Kreuzer**, Ft. Lauderdale, FL (US); **Carlos Lavernia**, Coral Gables, FL (US); **Martin Roche**, Ft. Lauderdale, FL (US); **Harry Rubash**, Ft. Lauderdale, FL (US)

(Continued)

FOREIGN PATENT DOCUMENTS

EP 1 174 099 1/2002  
FR 2676916 12/1992  
GB 2 464 862 5/2010

(73) Assignee: **MAKO Surgical Corp.**, Ft. Lauderdale, FL (US)

OTHER PUBLICATIONS

International Search Report and Written Opinion for International Application No. PCT/US2012/070531, mailed May 27, 2013, 18 pages.

(\*\*) Term: **14 Years**

(Continued)

(21) Appl. No.: **29/466,144**

*Primary Examiner* — Susan Bennett Hattan

*Assistant Examiner* — Charles Hanson

(22) Filed: **Sep. 4, 2013**

(74) *Attorney, Agent, or Firm* — Foley & Lardner LLP

(57) **CLAIM**

We claim the ornamental design for a tibial baseplate, as shown and described.

**Related U.S. Application Data**

**DESCRIPTION**

(63) Continuation-in-part of application No. 13/340,636, filed on Dec. 29, 2011, and a continuation-in-part of application No. 13/340,645, filed on Dec. 29, 2011.

(51) **LOC (10) Cl.** ..... **24-02**

(52) **U.S. Cl.**  
USPC ..... **D24/155**

(58) **Field of Classification Search**

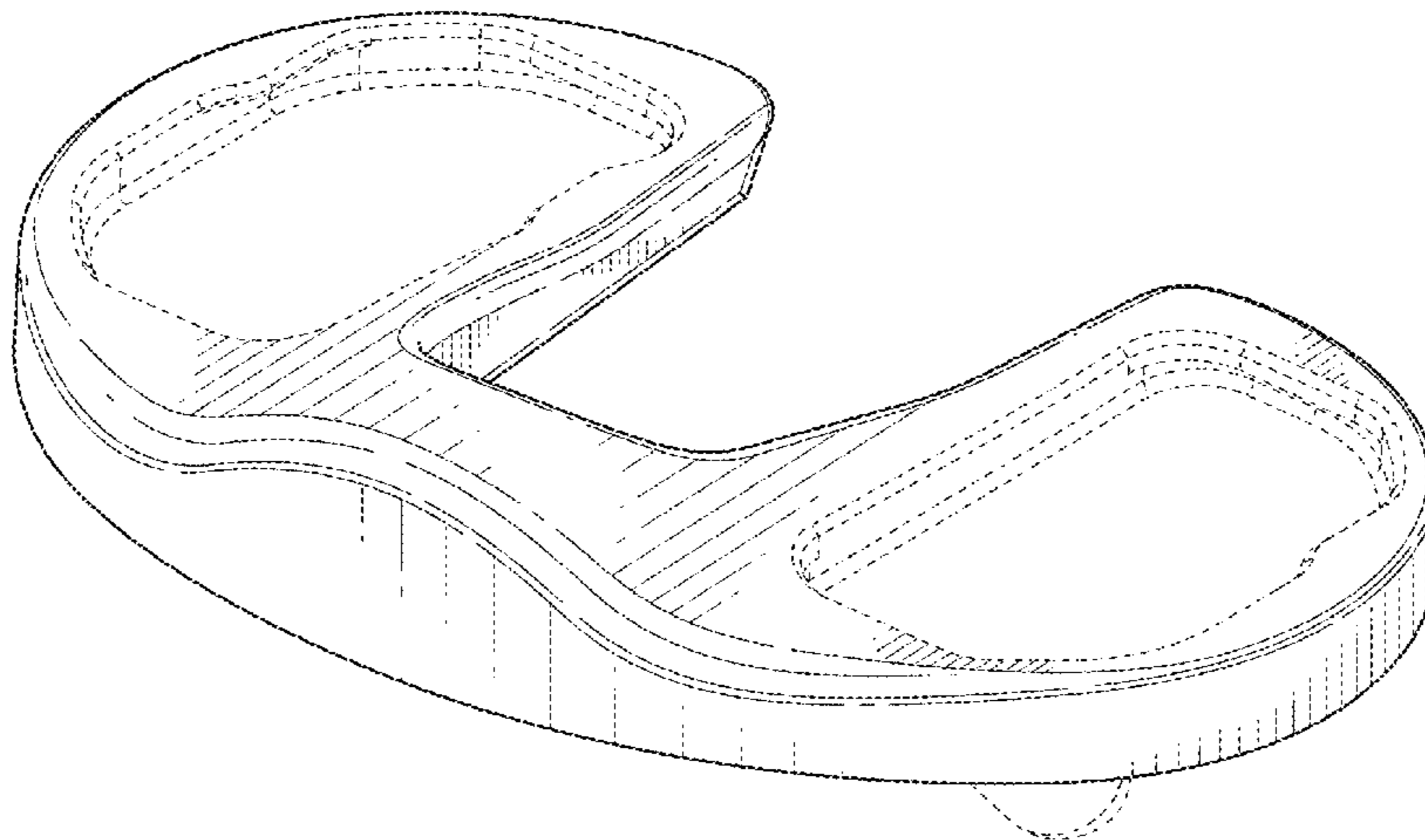
USPC ..... D24/155–156, 176, 171; D8/387; D15/21, 28; 433/172–174; 623/17.16, 623/17.17, 11.11, 23.26, 23.27; 606/266, 606/328, 54, 264, 273, 250  
CPC ..... A61F 2/3859; A61F 2/38; A61F 2/389; A61F 2/3886; A61F 2310/00023

See application file for complete search history.

FIG. 1 is a front perspective view from above of a tibial baseplate showing the claimed design; FIG. 2 is a front view of the claimed design of FIG. 1; FIG. 3 is a rear side view of the claimed design of FIG. 1; FIG. 4 is a right side view of the claimed design of FIG. 1; FIG. 5 is a left side view of the claimed design of FIG. 1; FIG. 6 is a top view of the claimed design of FIG. 1; FIG. 7 is a bottom view of the claimed design of FIG. 1; and, FIG. 8 is a front perspective view from below of the claimed design on FIG. 1.

The ornamental design which is claimed is shown in solid lines in the drawings. The broken lines in the drawings are for illustrative purposes only and form no part of the claimed design.

**1 Claim, 5 Drawing Sheets**



(56)

References Cited

U.S. PATENT DOCUMENTS

4,207,627 A 6/1980 Cloutier  
 4,586,933 A 5/1986 Shoji et al.  
 5,037,439 A 8/1991 Albrektsson et al.  
 D326,156 S \* 5/1992 Martinez ..... D24/155  
 5,137,536 A \* 8/1992 Koshino ..... 623/20.34  
 D346,218 S \* 4/1994 White ..... D24/140  
 D358,211 S \* 5/1995 Cohen ..... D24/155  
 D358,647 S \* 5/1995 Cohen et al. .... D24/155  
 D369,863 S \* 5/1996 Hayes ..... D24/155  
 D373,825 S \* 9/1996 Hayes ..... D24/155  
 5,681,354 A 10/1997 Eckhoff  
 6,969,393 B2 11/2005 Pinczewski et al.  
 D626,234 S \* 10/2010 Otto et al. .... D24/155  
 7,918,893 B2 4/2011 Romeis et al.  
 8,066,776 B2 11/2011 O'Connor et al.  
 8,163,028 B2 4/2012 Metzger et al.  
 8,292,965 B2 10/2012 Walker  
 8,529,631 B2 9/2013 Donno et al.  
 8,715,359 B2 \* 5/2014 Deffenbaugh et al. .... 623/20.29  
 2004/0153162 A1 \* 8/2004 Sanford et al. .... 623/20.3  
 2004/0193280 A1 \* 9/2004 Webster et al. .... 623/20.33  
 2006/0004460 A1 1/2006 Hodorek  
 2006/0184176 A1 \* 8/2006 Straszheim-Morley  
 et al. .... 606/88  
 2008/0215059 A1 \* 9/2008 Carignan et al. .... 606/96

2009/0062925 A1 3/2009 Samuelson  
 2009/0076604 A1 3/2009 Linares  
 2010/0305710 A1 12/2010 Metzger et al.  
 2011/0190898 A1 8/2011 Lenz et al.  
 2011/0264097 A1 10/2011 Hodorek et al.  
 2012/0078262 A1 3/2012 Pinczewski et al.  
 2012/0179266 A1 7/2012 Collazo  
 2012/0209394 A1 8/2012 Bojarski et al.

OTHER PUBLICATIONS

International Search Report and Written Opinion for International Application No. PCT/US2012/070930, mailed May 27, 2013, 16 pages.  
 Invitation to Pay Additional Fees and Communication Relating to the Results of the Partial International Search for International Application No. PCT/US2012/070531, mailed Mar. 6, 2013, 7 pages.  
 Invitation to Pay Additional Fees and Partial International Search for International Application No. PCT/US2012/070930, mailed Mar. 22, 2013, 6 pages.  
 Pritchett, James W., BioPro: Equalizer Modular Total Knee Replacement, available at least as early as 1999, 19 pages.  
 Townley, Charles O., Total Knee Arthroplasty: A Personal Retrospective and Prospective Review, Clinical Orthopaedics and Related Research, No. 236, 1988, 15 pages.

\* cited by examiner

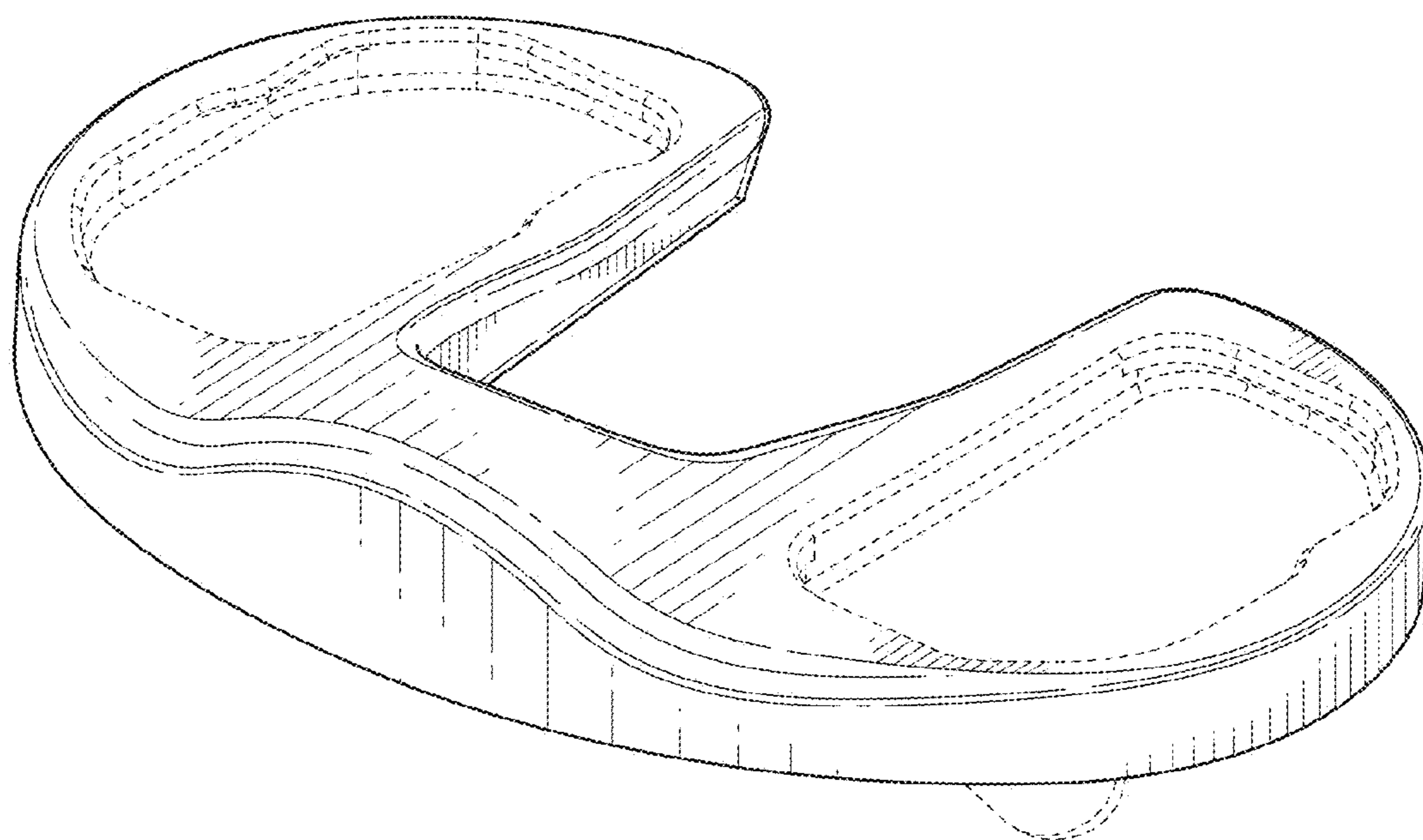


FIG. 1

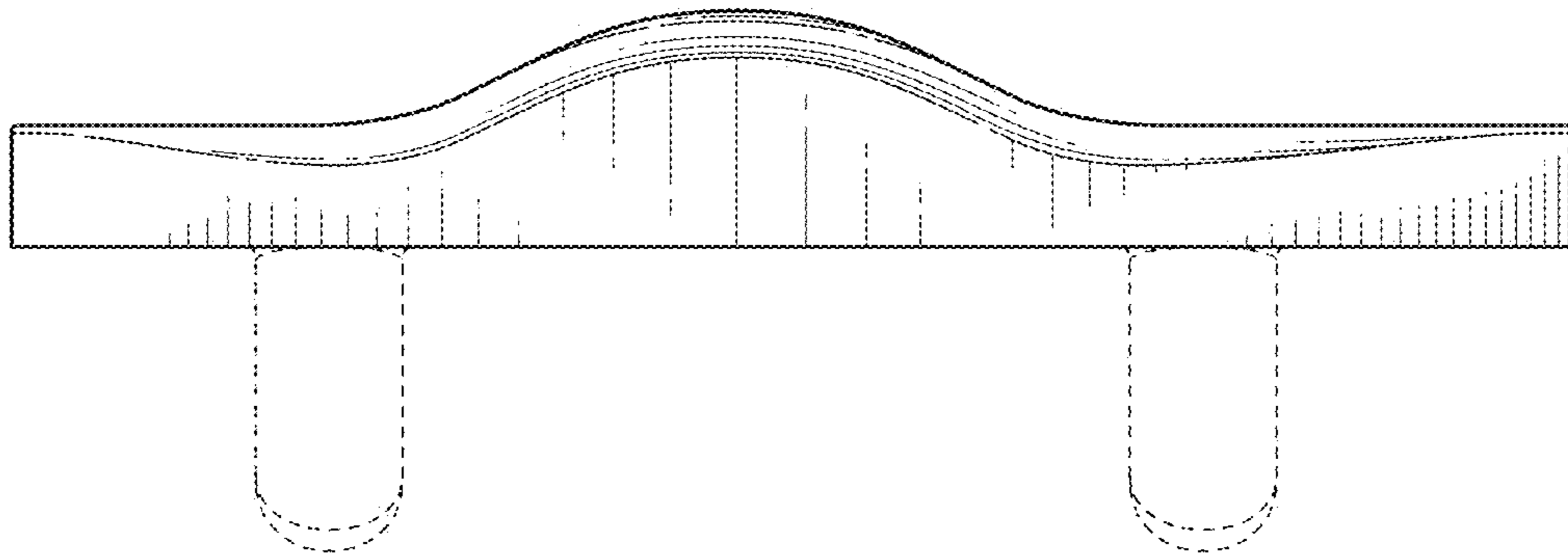


FIG. 2

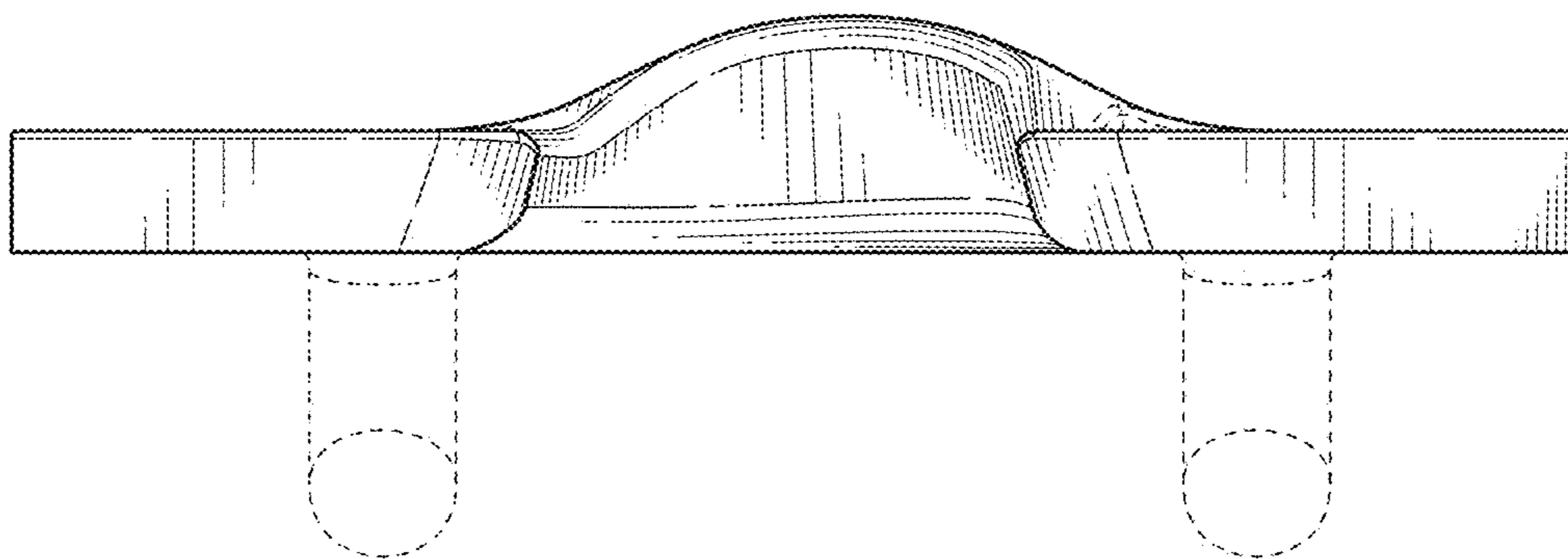


FIG. 3

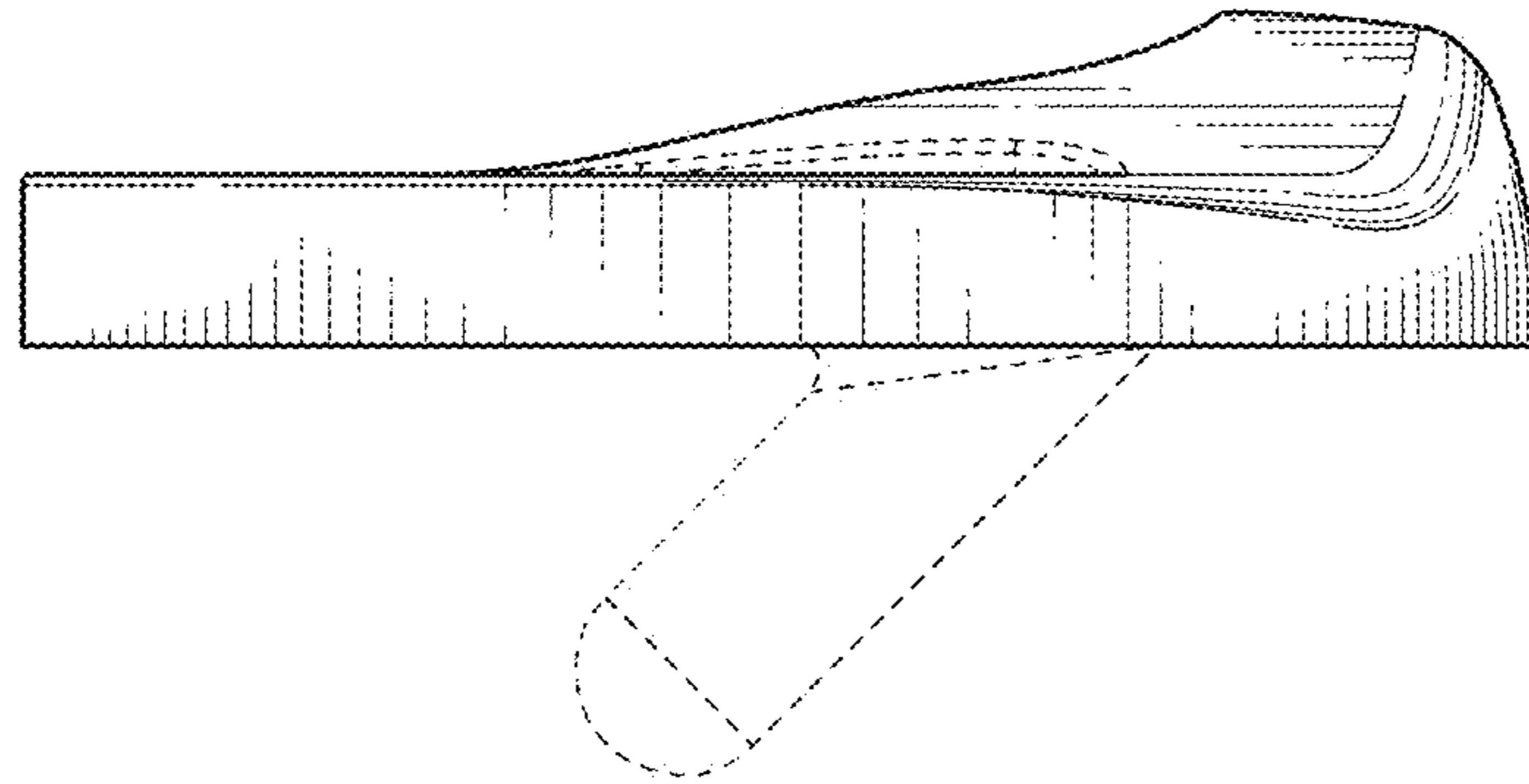


FIG. 4

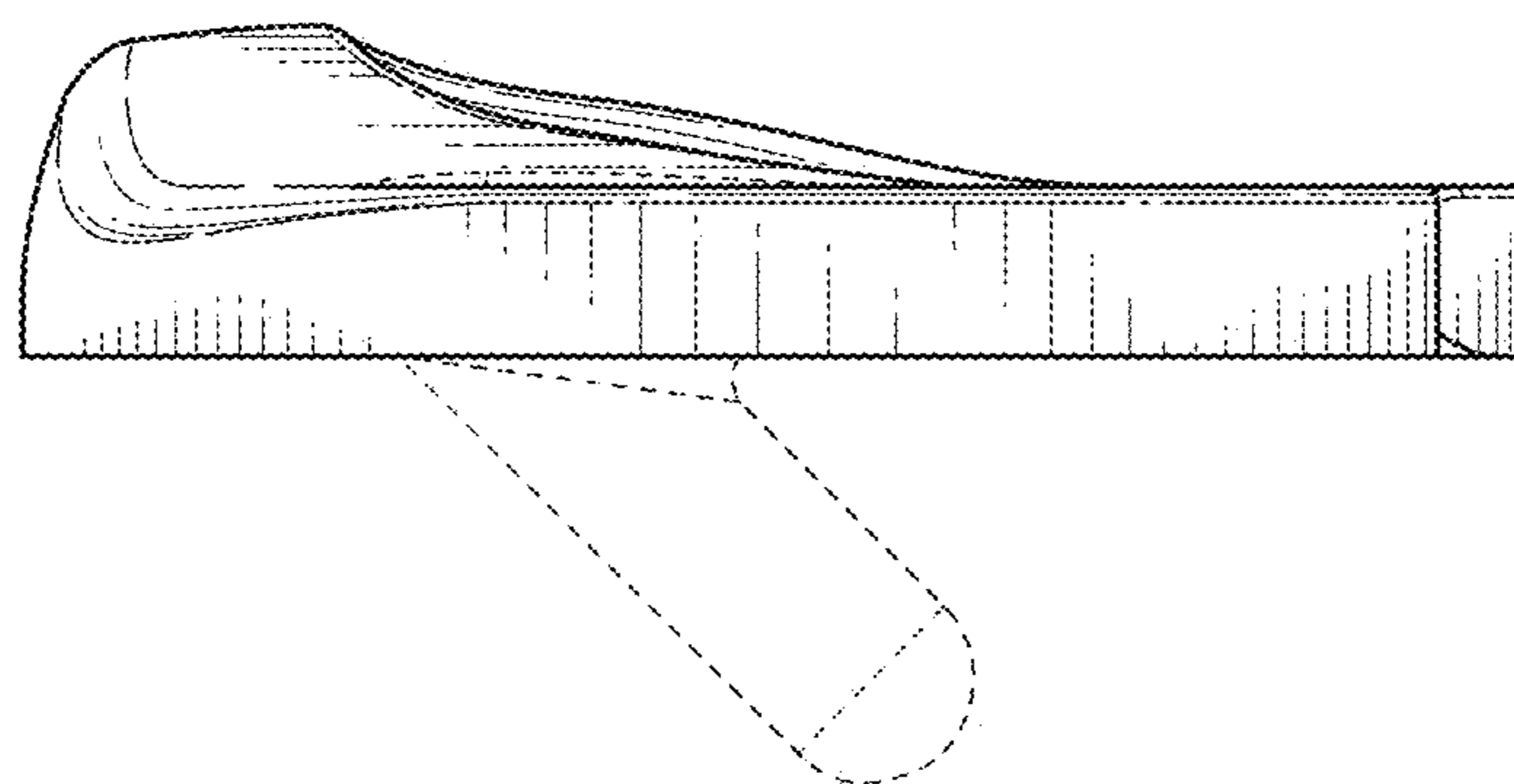


FIG. 5

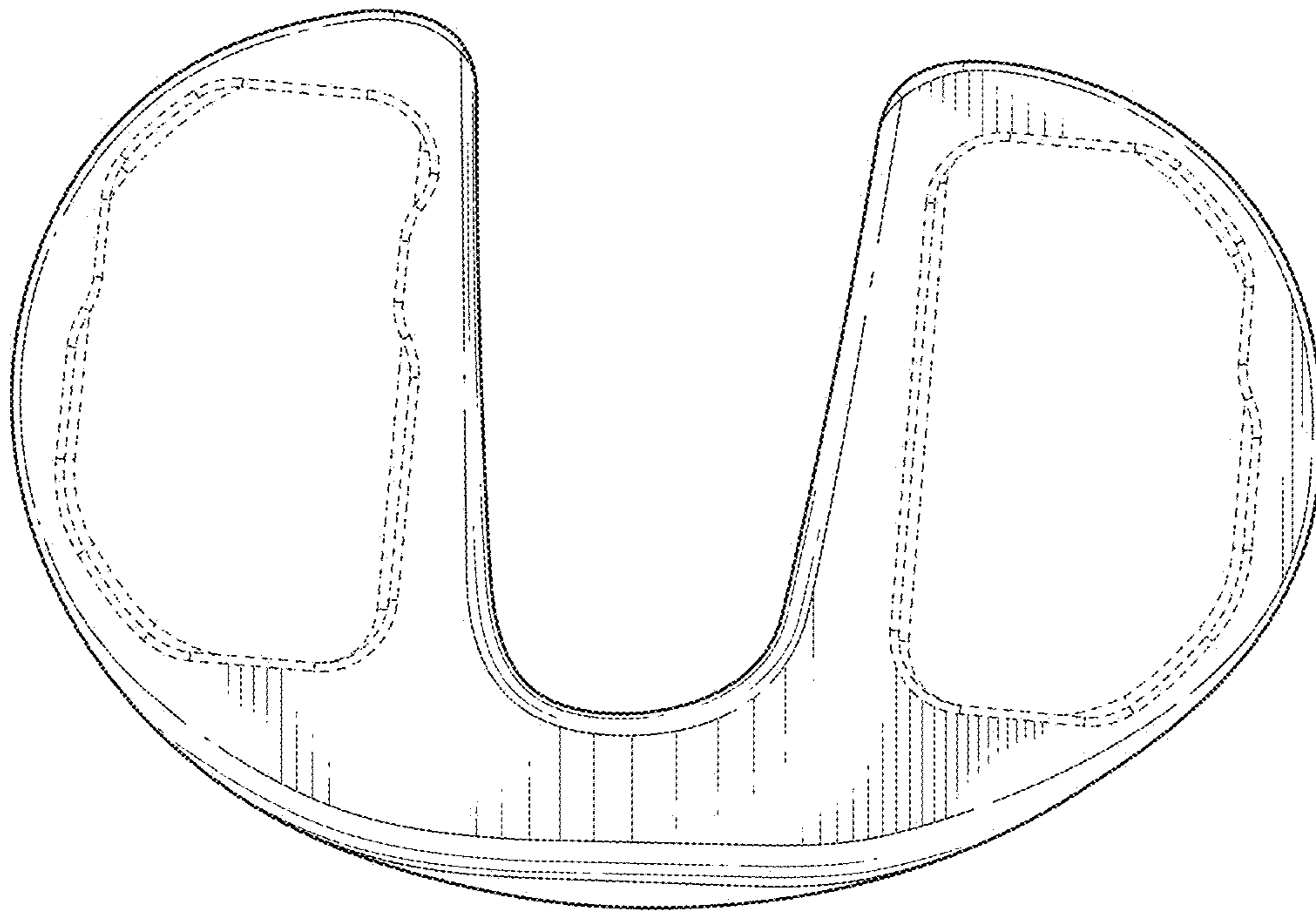


FIG. 6

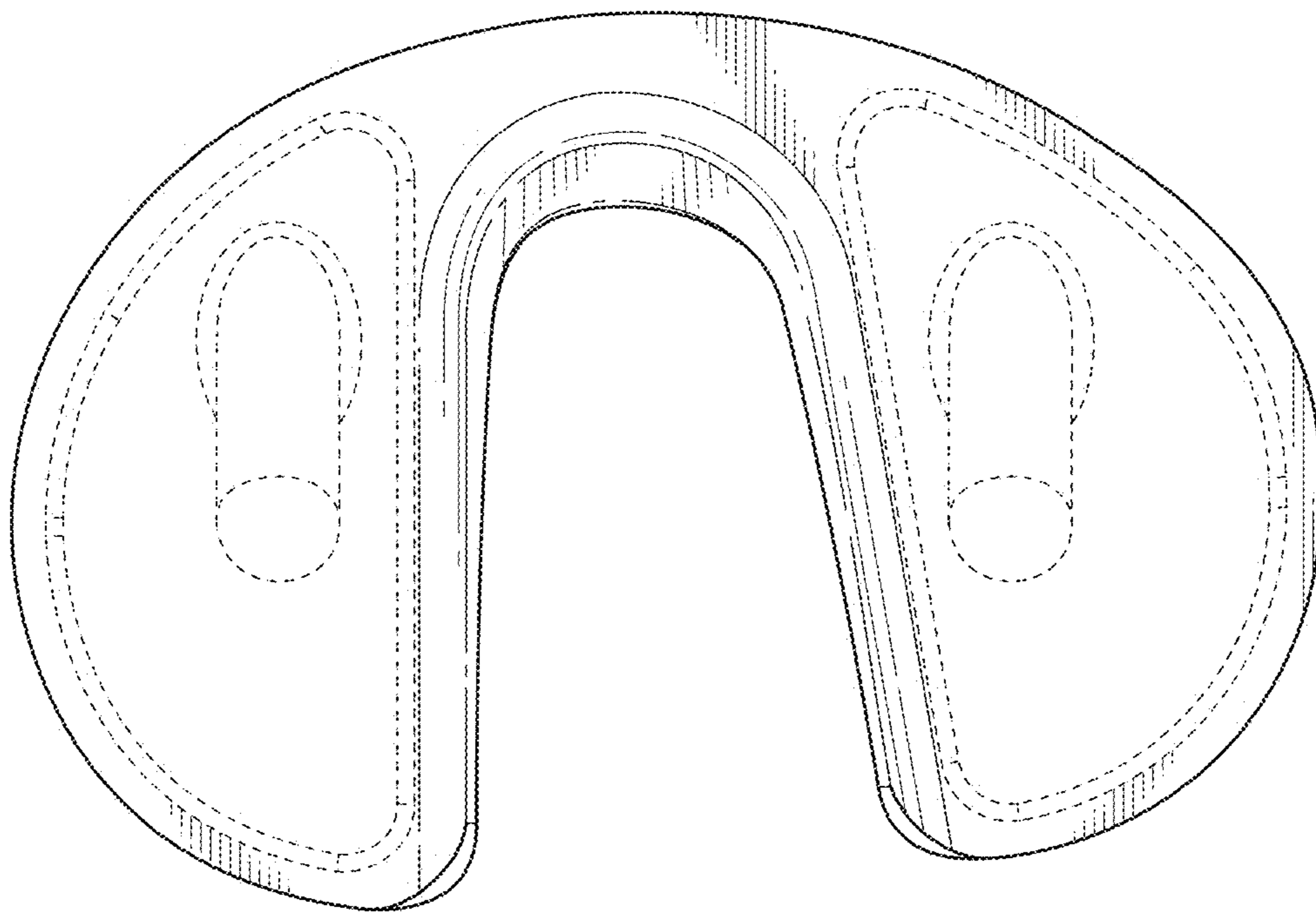


FIG. 7

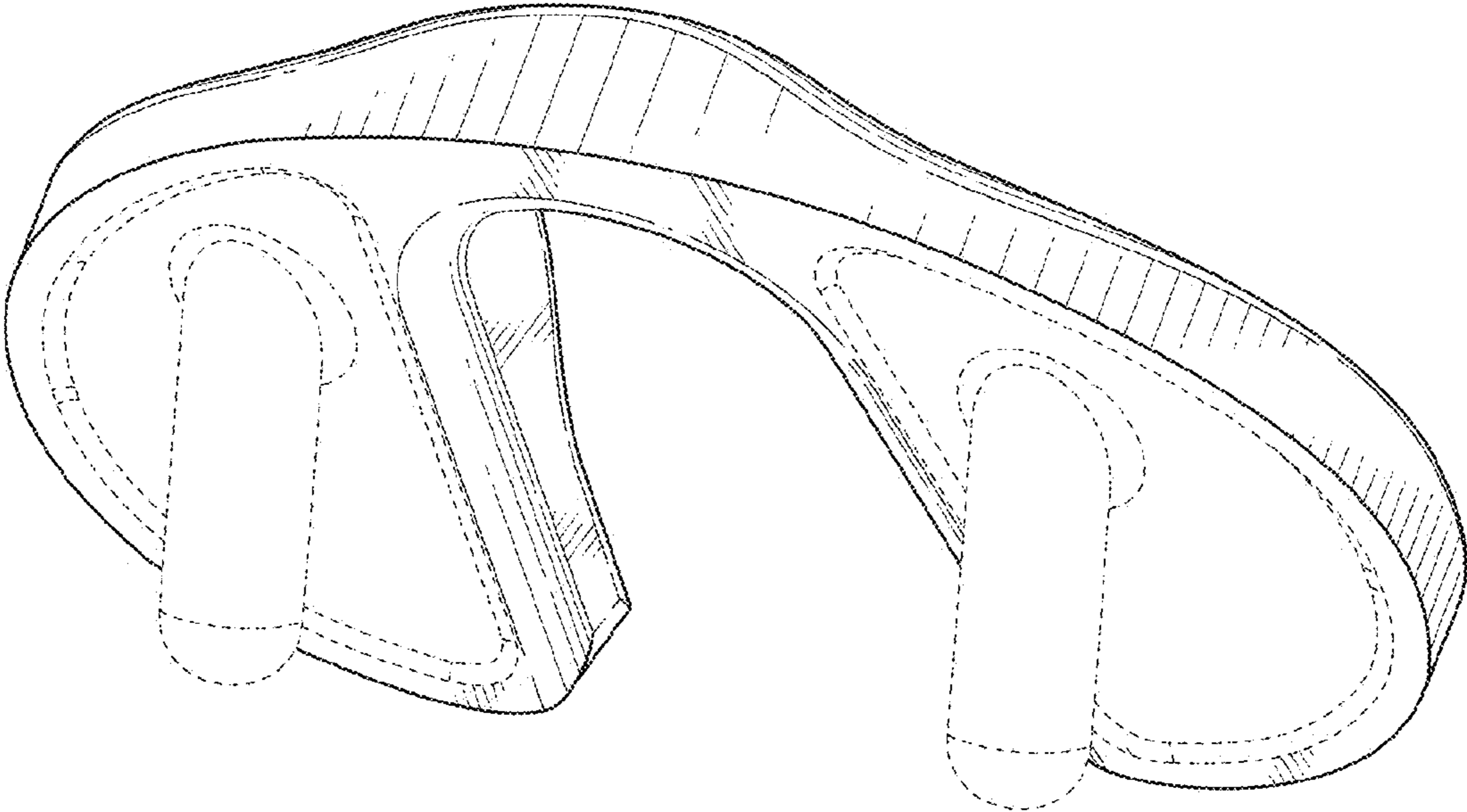


FIG. 8