



US00D744102S

(12) **United States Design Patent**
Shotton et al.

(10) **Patent No.:** **US D744,102 S**
(45) **Date of Patent:** **** Nov. 24, 2015**

- (54) **STOPPER FOR DENTAL INSTRUMENTS**
- (71) Applicant: **DENTSPLY INTERNATIONAL INC.**,
York, PA (US)
- (72) Inventors: **Vincent Shotton**, Broken Arrow, OK
(US); **Kevin Wilkinson**, Bixby, OK (US)
- (73) Assignee: **DENTSPLY International Inc.**, York,
PA (US)
- (**) Term: **14 Years**
- (21) Appl. No.: **29/453,764**
- (22) Filed: **May 2, 2013**
- (51) **LOC (10) Cl.** **24-02**
- (52) **U.S. Cl.**
USPC **D24/152**
- (58) **Field of Classification Search**
USPC D24/133, 127, 128; D8/300, 310, 312,
D8/321, 330, 331, 335, 341, 343, 352, 354,
D8/382; 606/268, 269, 274, 65, 295, 270;
433/141, 148-149
See application file for complete search history.

(56) **References Cited**

U.S. PATENT DOCUMENTS

D308,725 S *	6/1990	Kraus	D24/128
D437,411 S *	2/2001	Maeji et al.	D24/130
D437,412 S *	2/2001	Maeji et al.	D24/130
D572,426 S *	7/2008	McCollum et al.	D1/106
D597,205 S *	7/2009	Koch	D24/133
8,609,124 B2 *	12/2013	Spagnoli et al.	424/423
2012/0191141 A1 *	7/2012	Costabile	606/295

* cited by examiner

Primary Examiner — Wan Laymon

Assistant Examiner — Mark Booker

(74) *Attorney, Agent, or Firm* — David A. Zdurne; Douglas
J. Hura; Leana Levin

(57) **CLAIM**

The ornamental design for a stopper for dental instruments, as
shown and described.

DESCRIPTION

FIG. 1 is a top perspective view of a first embodiment of the
present invention for a stopper for dental instruments, the
bottom perspective view being a mirror image thereof;

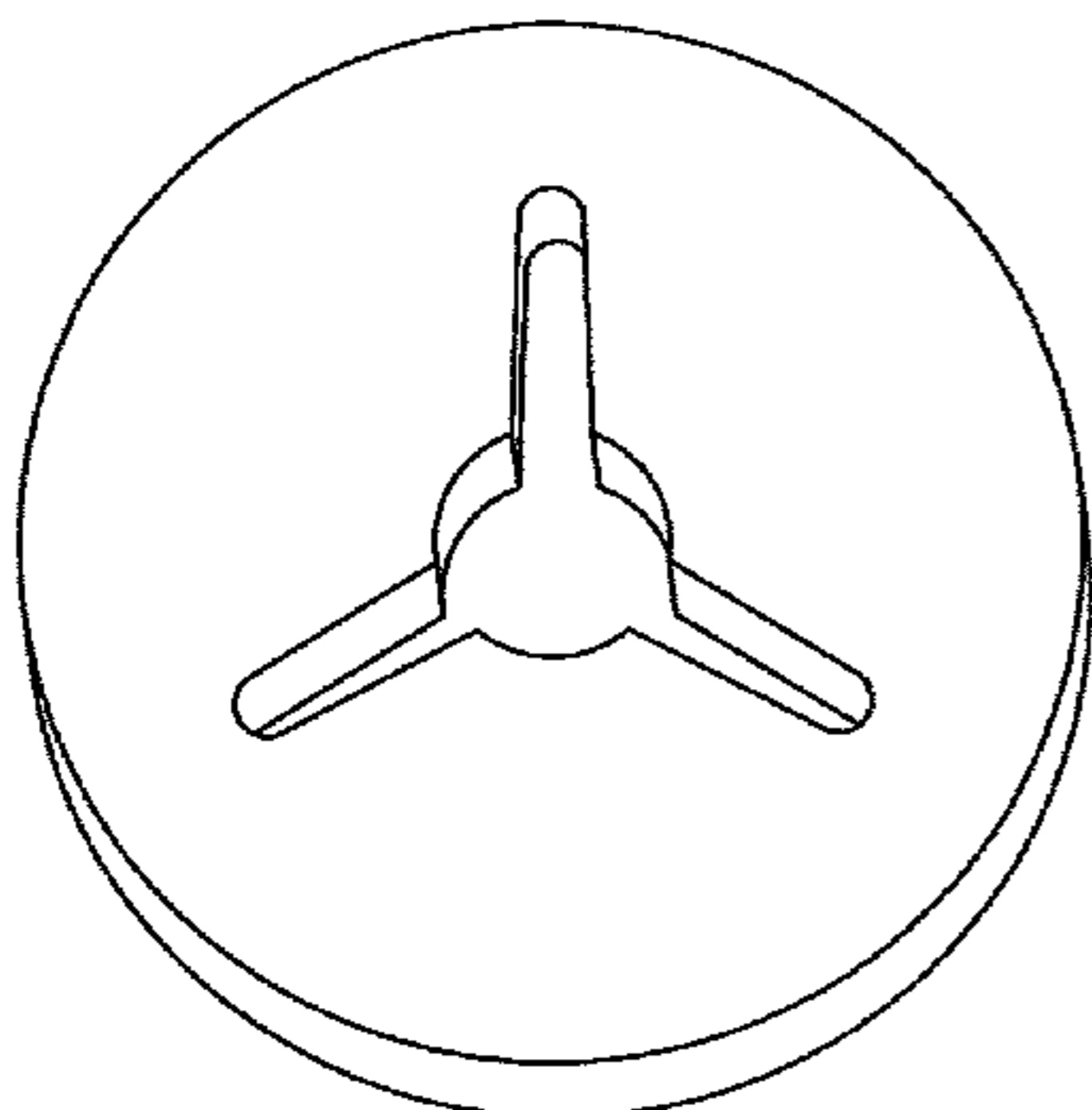


FIG. 2 is a side view of the stopper shown in FIG. 1, the
opposite side view being a mirror image thereof;
FIG. 3 is a top perspective view of a second embodiment of
the present invention for a stopper for dental instruments, the
bottom perspective view being a mirror image thereof;
FIG. 4 is a side view of the stopper shown in FIG. 3, the
opposite side view being a mirror image thereof;
FIG. 5 is a top perspective view of a third embodiment of the
present invention for a stopper for dental instruments, the
bottom perspective view being a mirror image thereof;
FIG. 6 is a side view of the stopper shown in FIG. 5, the
opposite side view being a mirror image thereof;
FIG. 7 is a top perspective view of a fourth embodiment of the
present invention for a stopper for dental instruments, the
bottom perspective view being a mirror image thereof;
FIG. 8 is a side view of the stopper shown in FIG. 7, the
opposite side view being a mirror image thereof;
FIG. 9 is a top perspective view of a fifth embodiment of the
present invention for a stopper for dental instruments, the
bottom perspective view being a mirror image thereof;
FIG. 10 is a side view of the stopper shown in FIG. 9, the
opposite side view being a mirror image thereof;
FIG. 11 is a top perspective view of a sixth embodiment of the
present invention for a stopper for dental instruments, the
bottom perspective view being a mirror image thereof;
FIG. 12 is a side view of the stopper shown in FIG. 11, the
opposite side view being a mirror image thereof;
FIG. 13 is a top perspective view of a seventh embodiment of
the present invention for a stopper for dental instruments, the
bottom perspective view being a mirror image thereof;
FIG. 14 is a side view of the stopper shown in FIG. 13, the
opposite side view being a mirror image thereof;
FIG. 15 is a top perspective view of an eighth embodiment of
the present invention for a stopper for dental instruments, the
bottom perspective view being a mirror image thereof;
FIG. 16 is a side view of the stopper shown in FIG. 15, the
opposite side view being a mirror image thereof;
FIG. 17 is a top perspective view of a ninth embodiment of the
present invention for a stopper for dental instruments, the
bottom perspective view being a mirror image thereof;
FIG. 18 is a side view of the stopper shown in FIG. 17, the
opposite side view being a mirror image thereof;

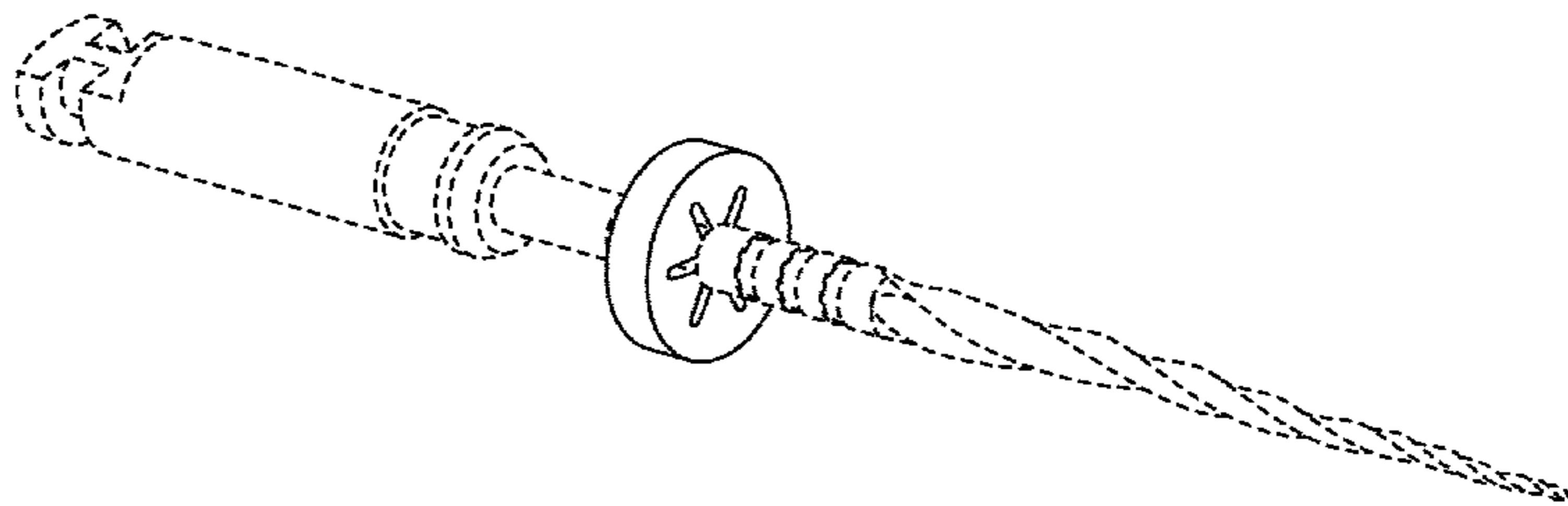


FIG. 19 is a top perspective view of a tenth embodiment of the present invention for a stopper for dental instruments, the bottom perspective view being a mirror image thereof;

FIG. 20 is a side view of the stopper shown in FIG. 19, the opposite side view being a mirror image thereof;

FIG. 21 is a top perspective view of an eleventh embodiment of the present invention for a stopper for dental instruments, the bottom perspective view being a mirror image thereof;

FIG. 22 is a side view of the stopper shown in FIG. 21, the opposite side view being a mirror image thereof;

FIG. 23 is a top perspective view of a twelfth embodiment of the present invention for a stopper for dental instruments, the bottom perspective view being a mirror image thereof;

FIG. 24 is a side view of the stopper shown in FIG. 23, the opposite side view being a mirror image thereof;

FIG. 25 is a perspective view of a thirteenth embodiment of the present invention for a dental assembly comprising the stopper for dental instruments shown in FIG. 7; and,

FIG. 26 is a perspective view of a fourteenth embodiment of the present invention for a dental assembly comprising the stopper for dental instruments shown in FIG. 7.

The broken lines immediately adjacent the claimed areas represent the bounds of the claim, and all other broken lines are included for the purpose of illustrating portions of the present invention that form no part of the claimed design. None of the broken lines form part of the claimed design.

1 Claim, 7 Drawing Sheets

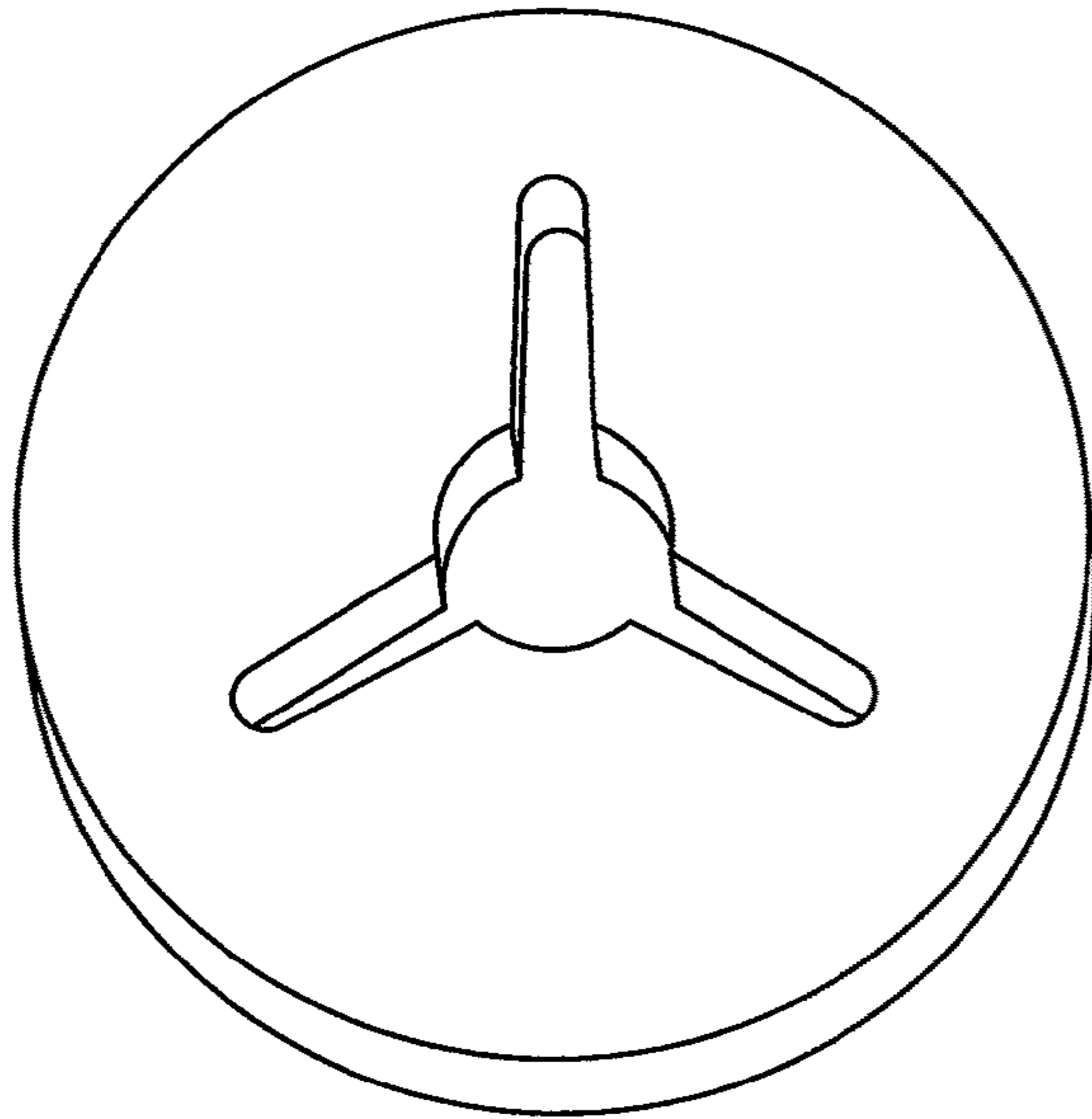


FIG. 1

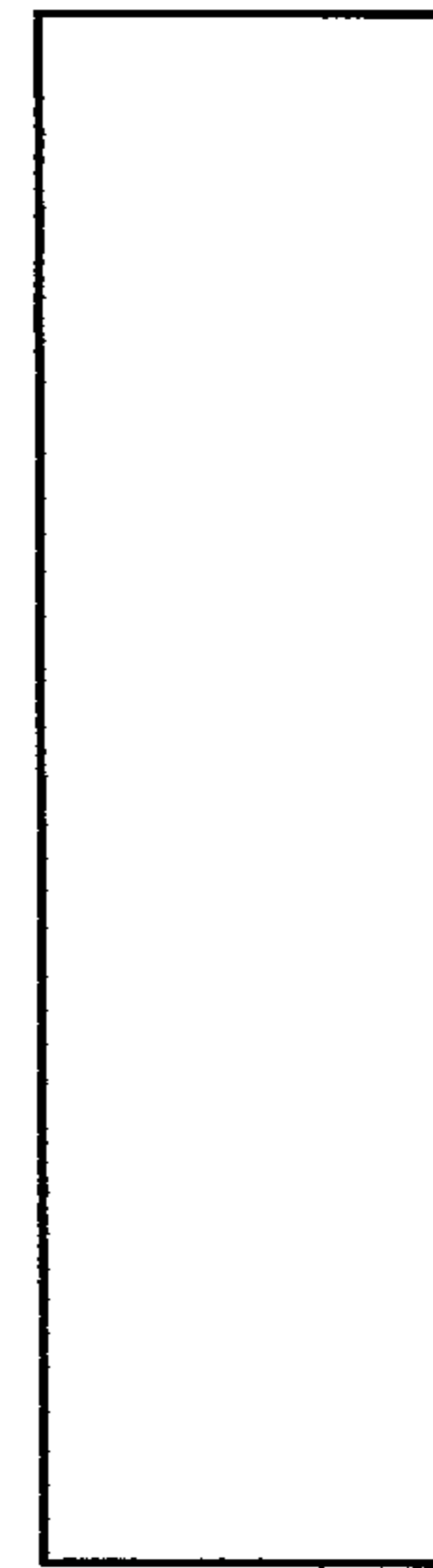


FIG. 2

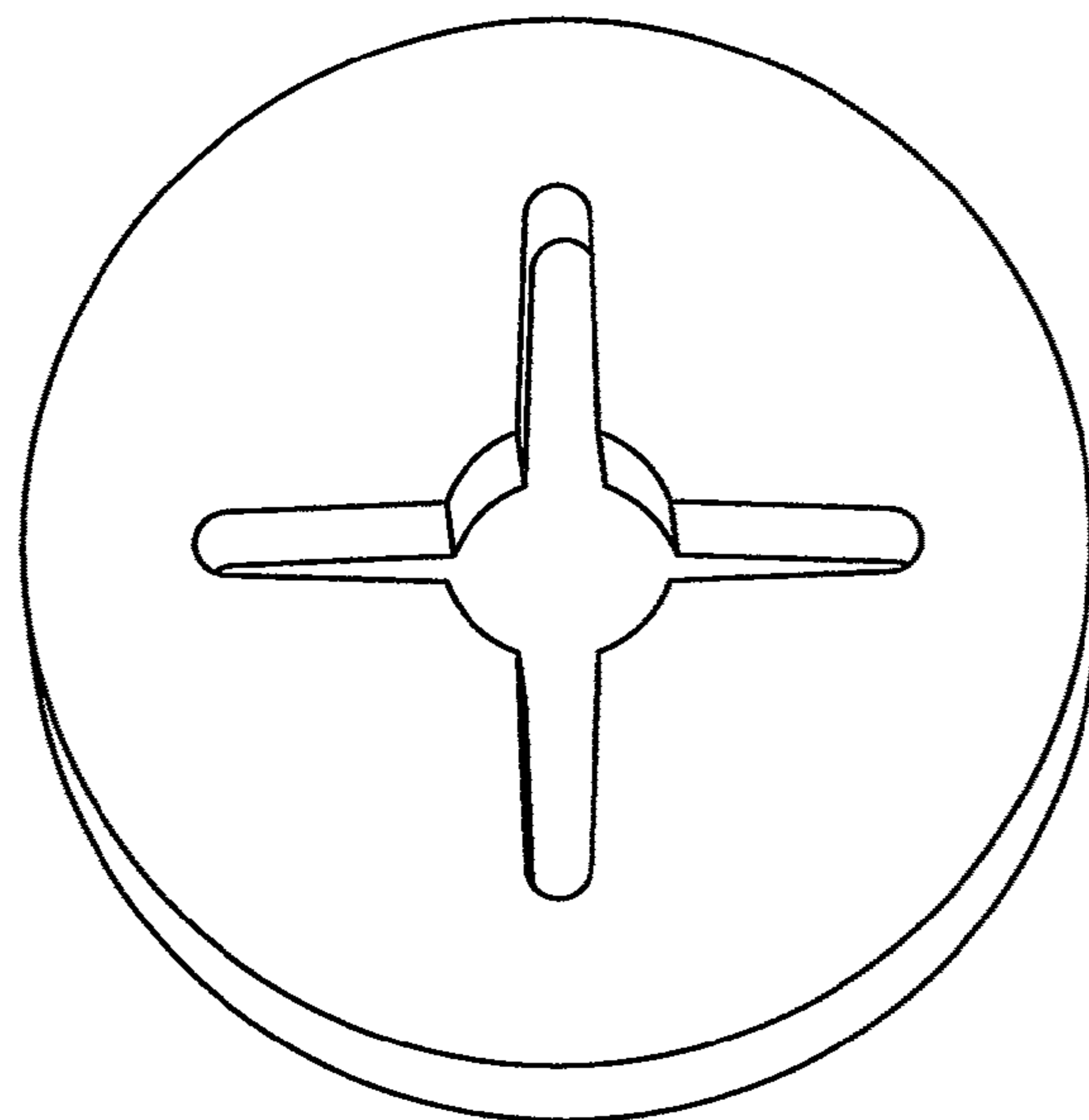


FIG. 3

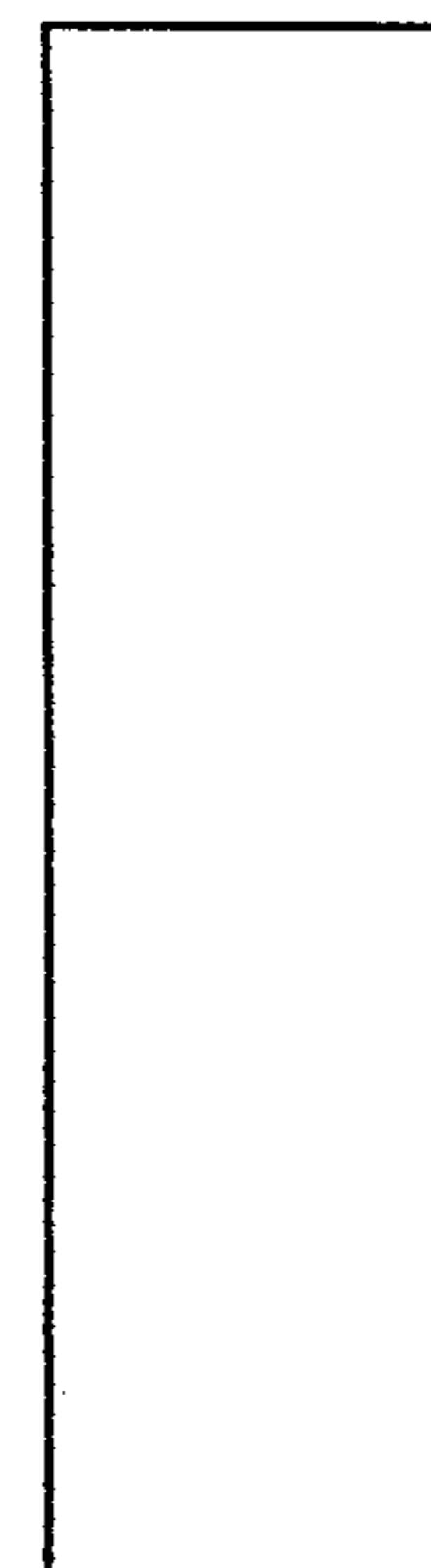


FIG. 4

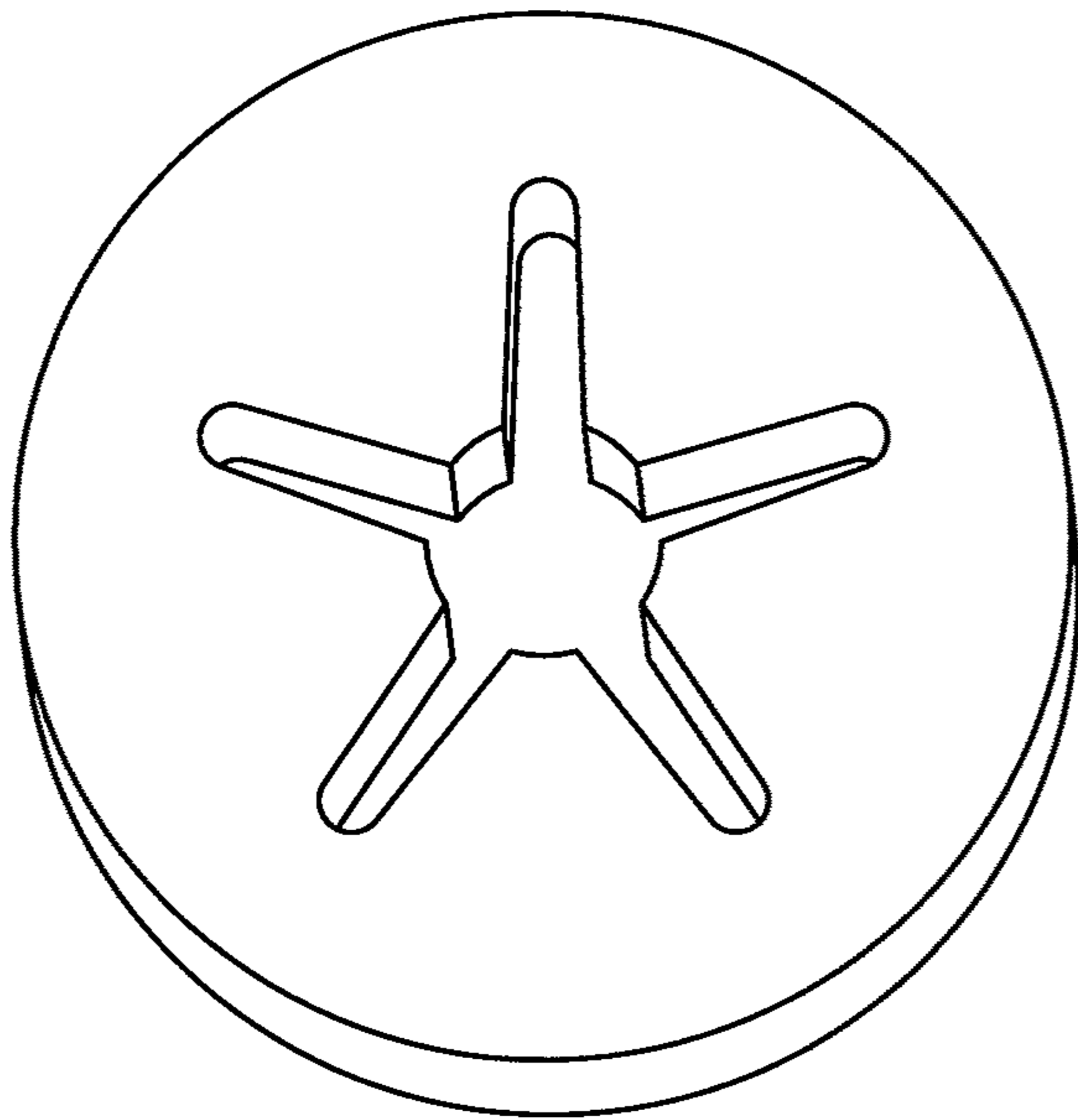


FIG. 5

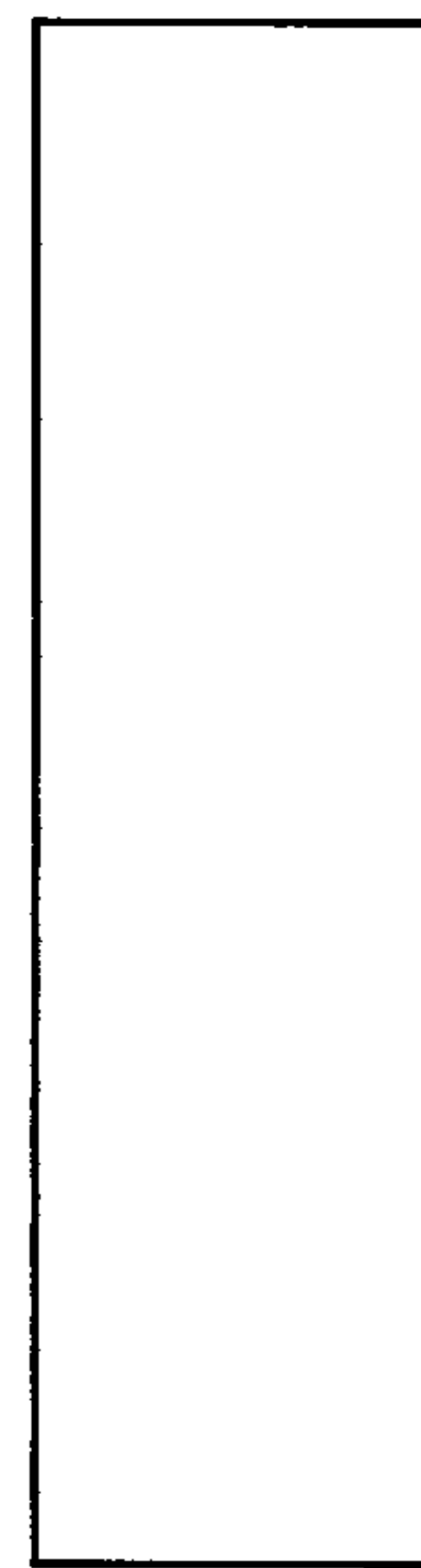


FIG. 6

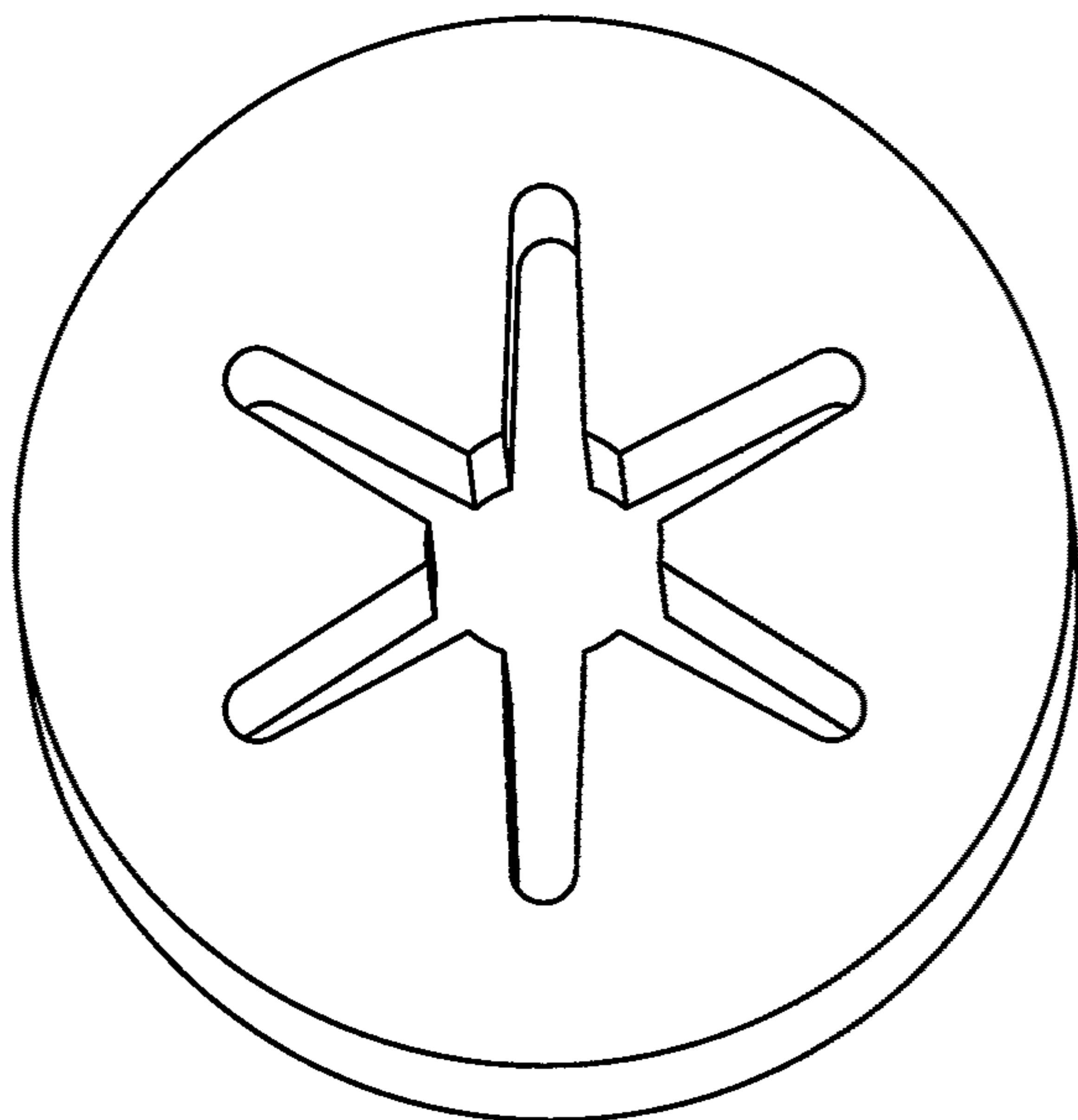


FIG. 7



FIG. 8

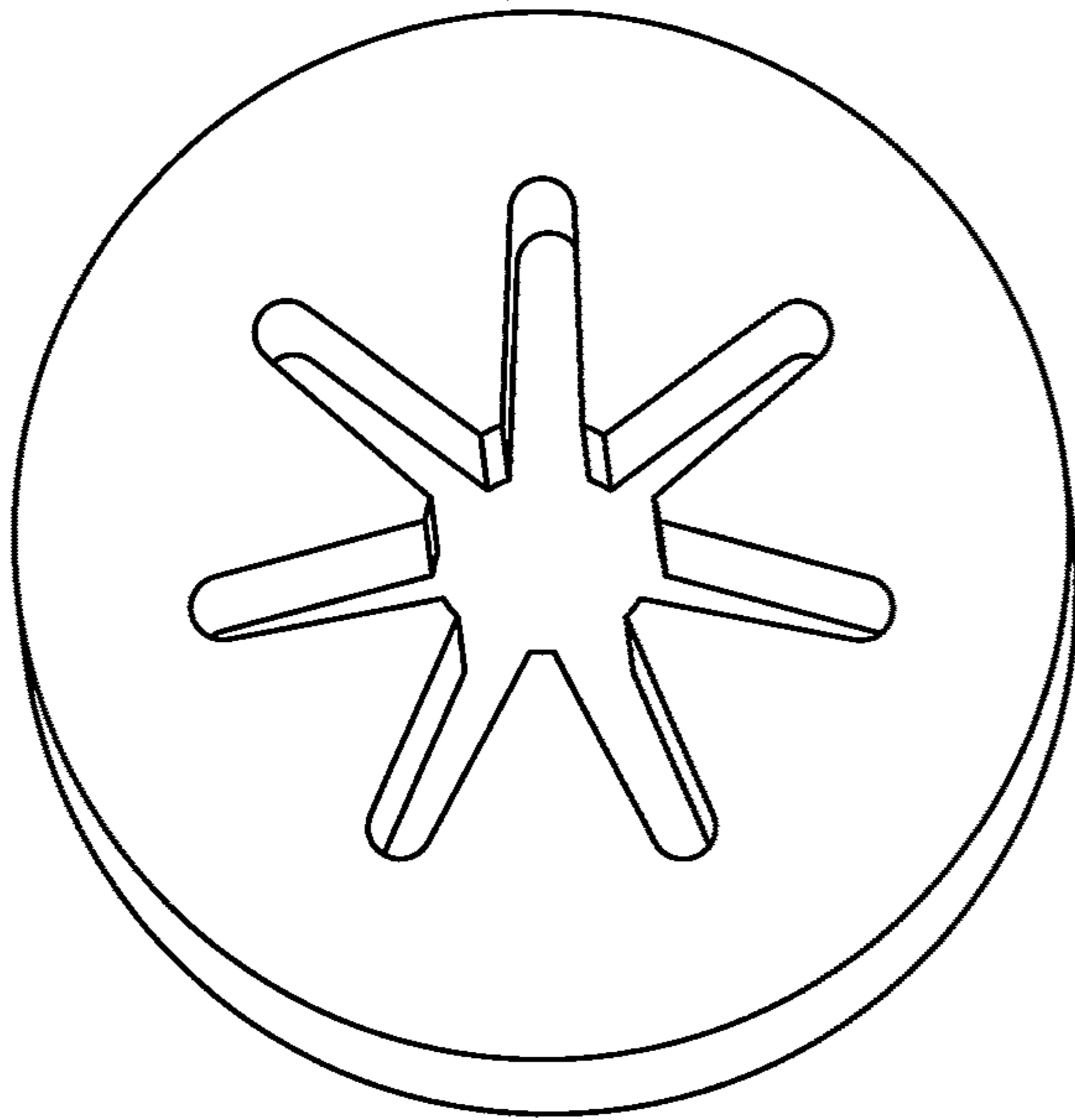


FIG. 9



FIG. 10

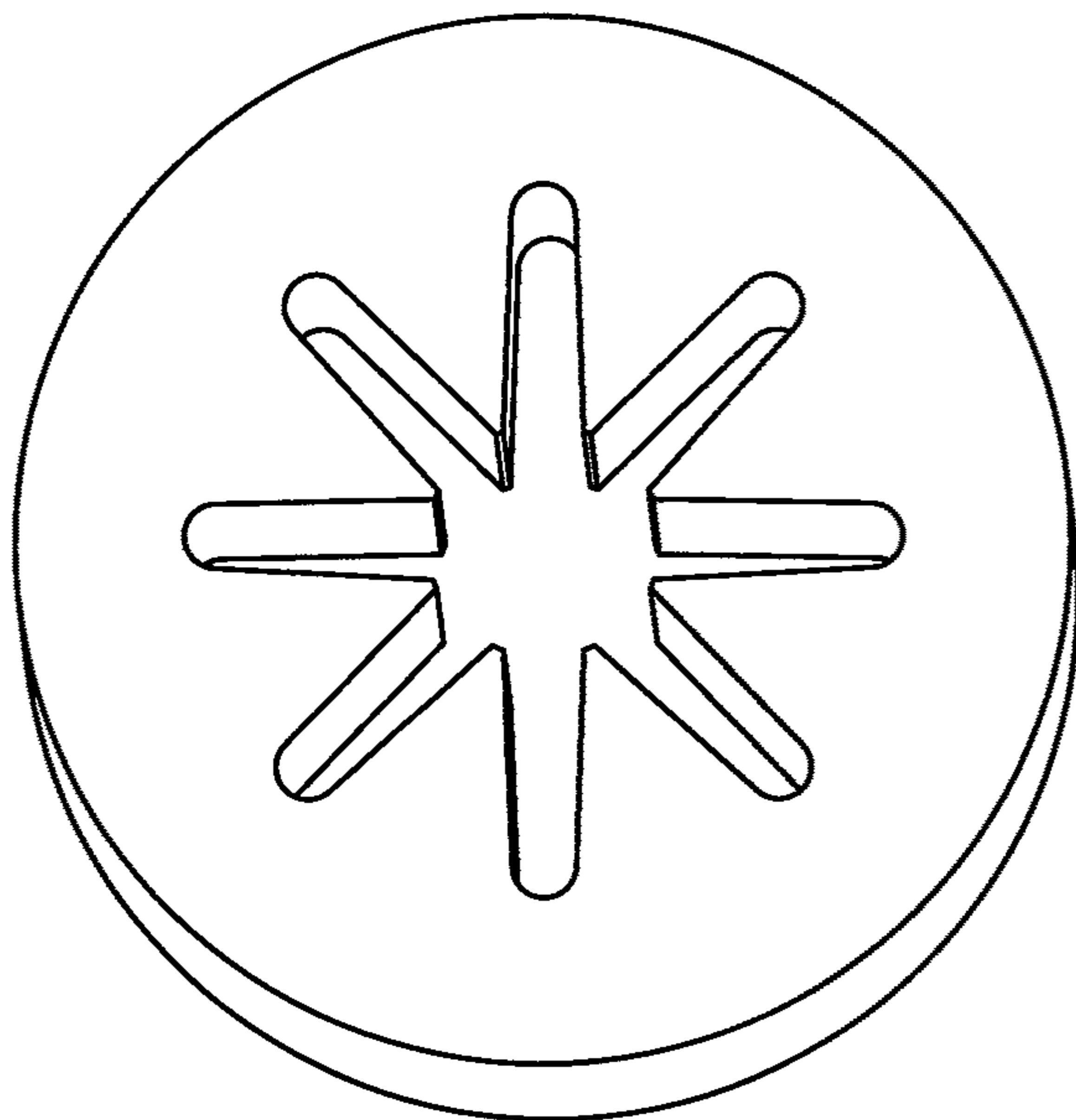


FIG. 11



FIG. 12

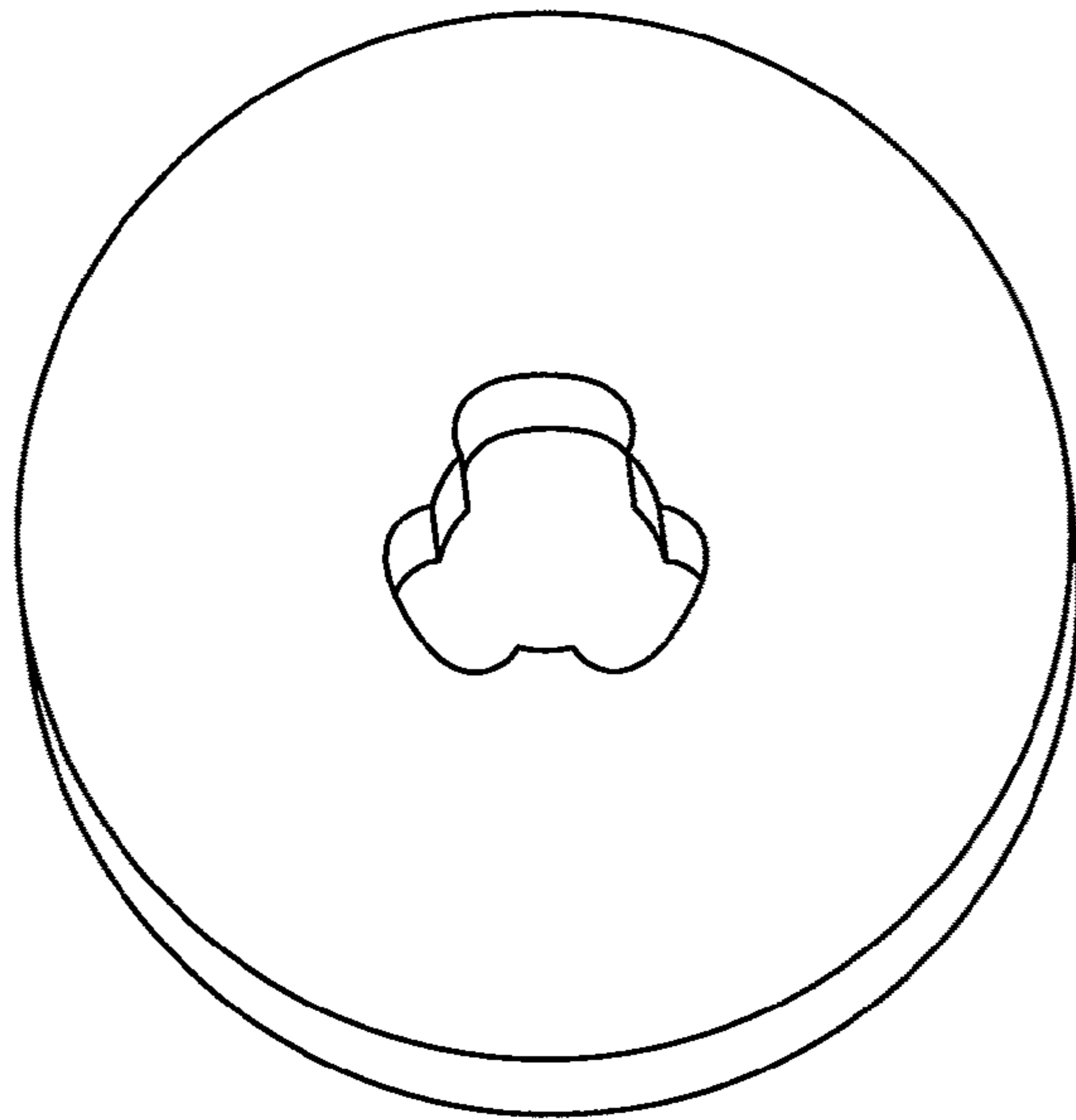


FIG. 13



FIG. 14

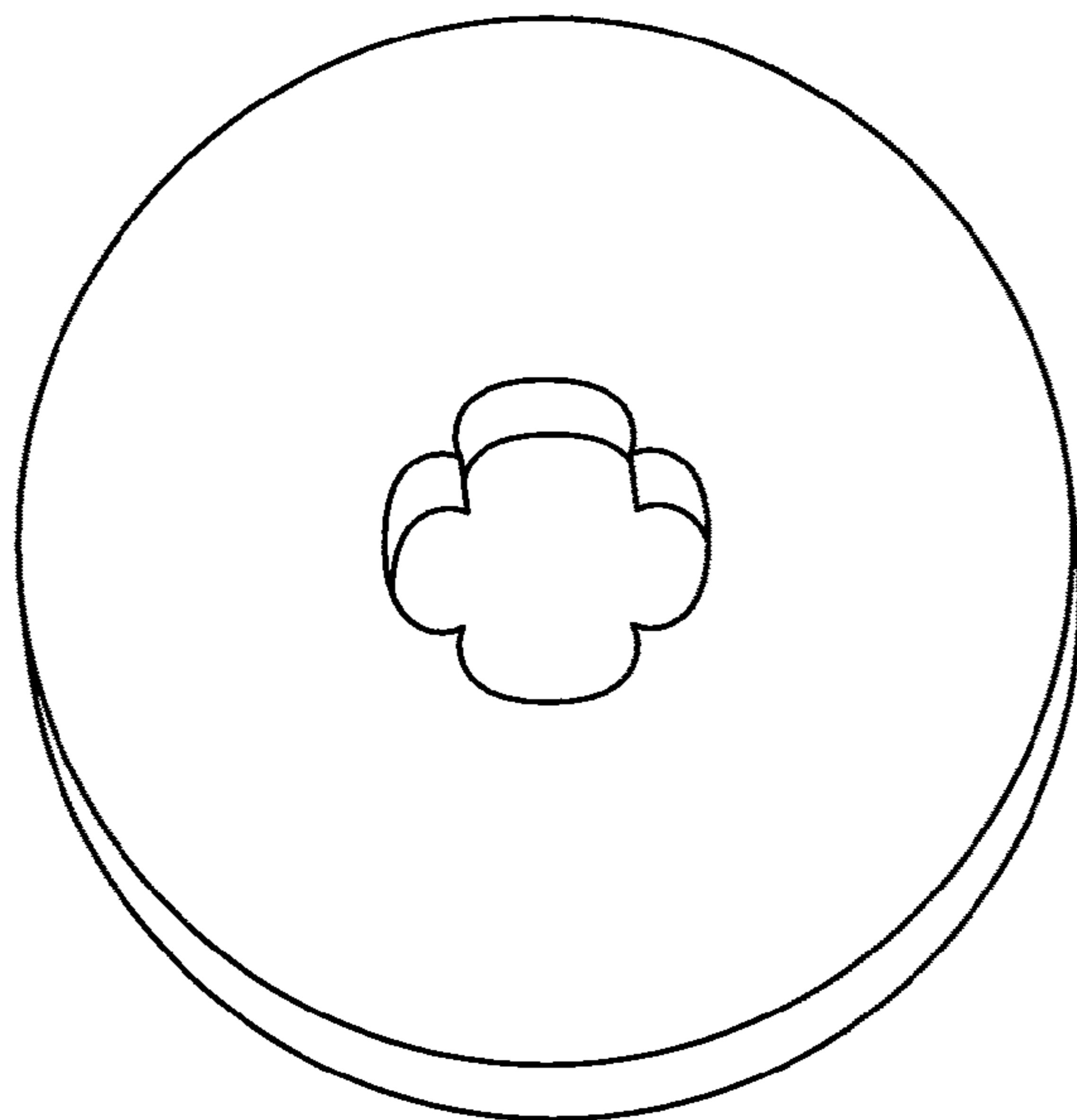


FIG. 15

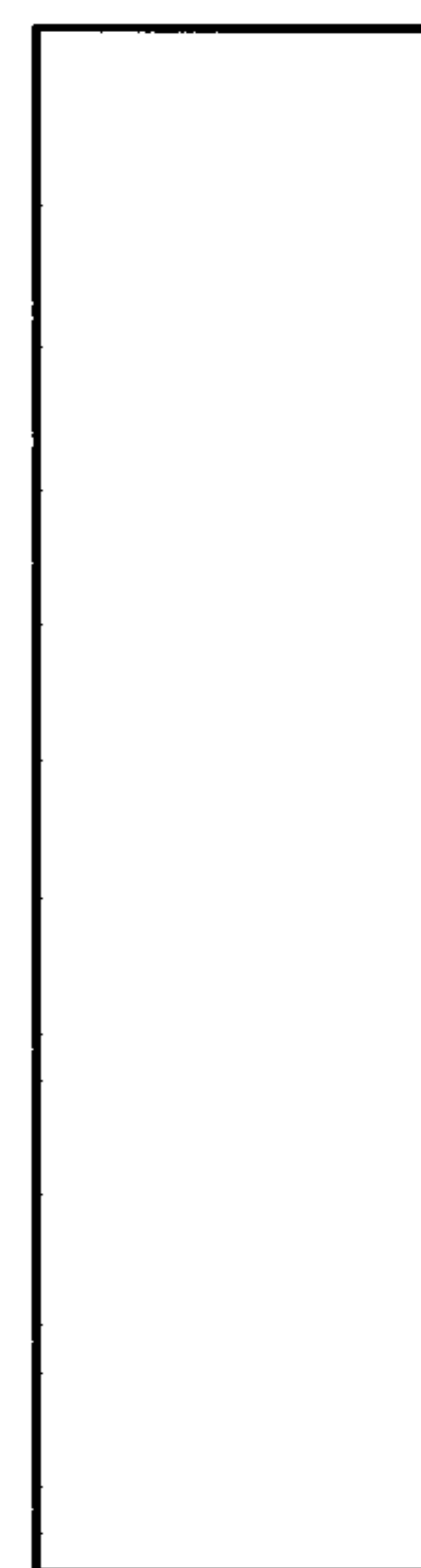


FIG. 16

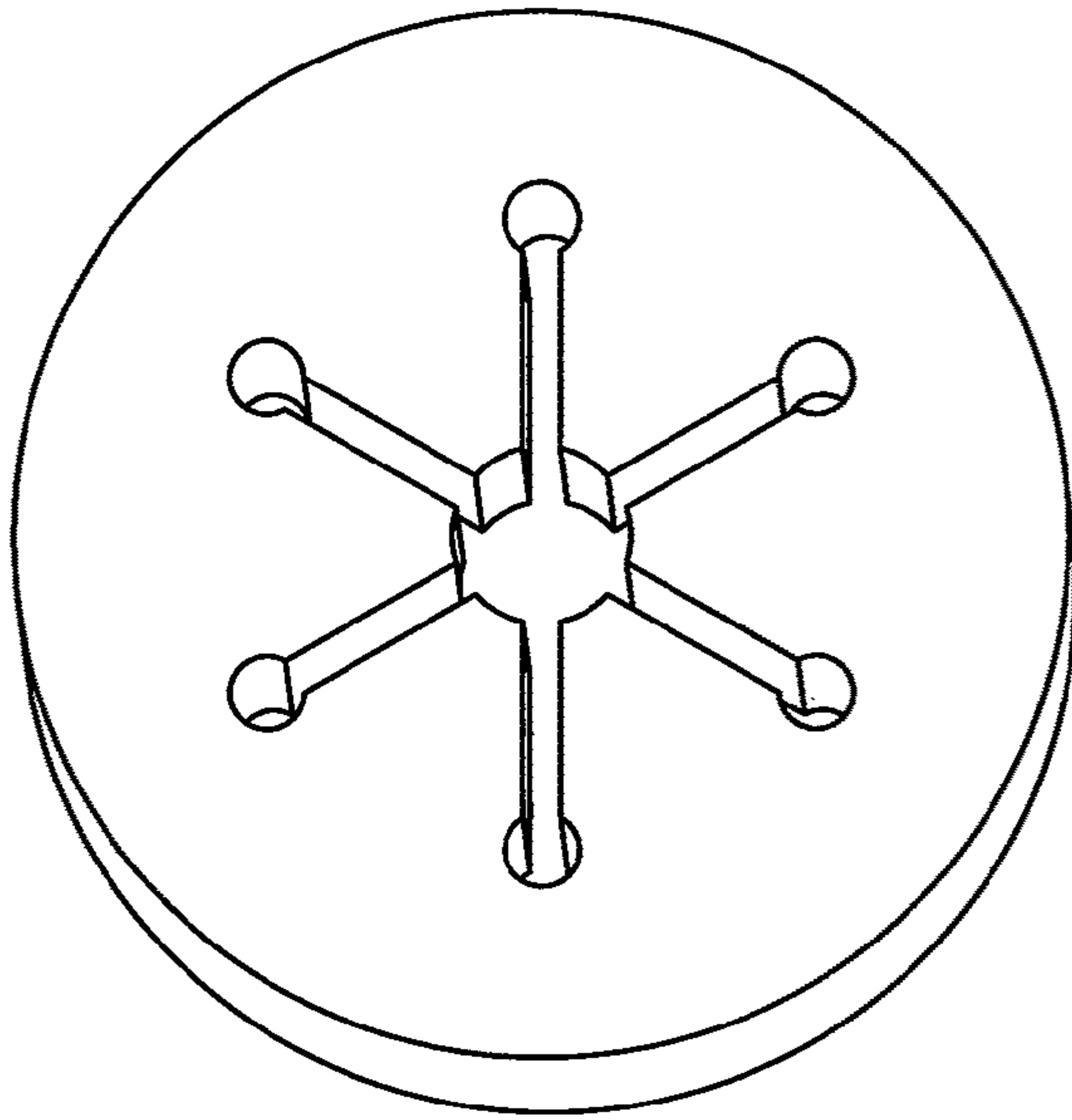


FIG. 17



FIG. 18

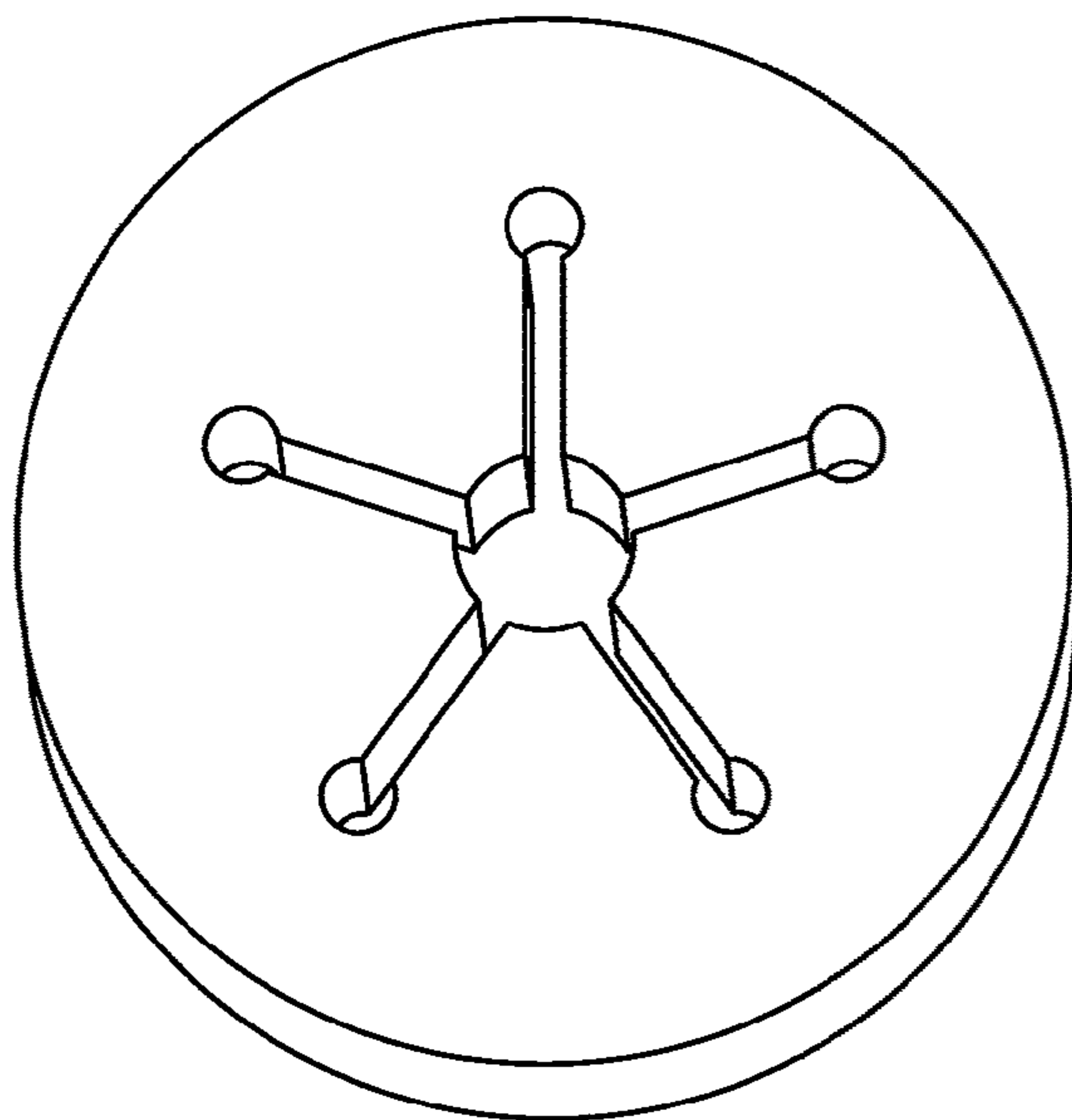


FIG. 19

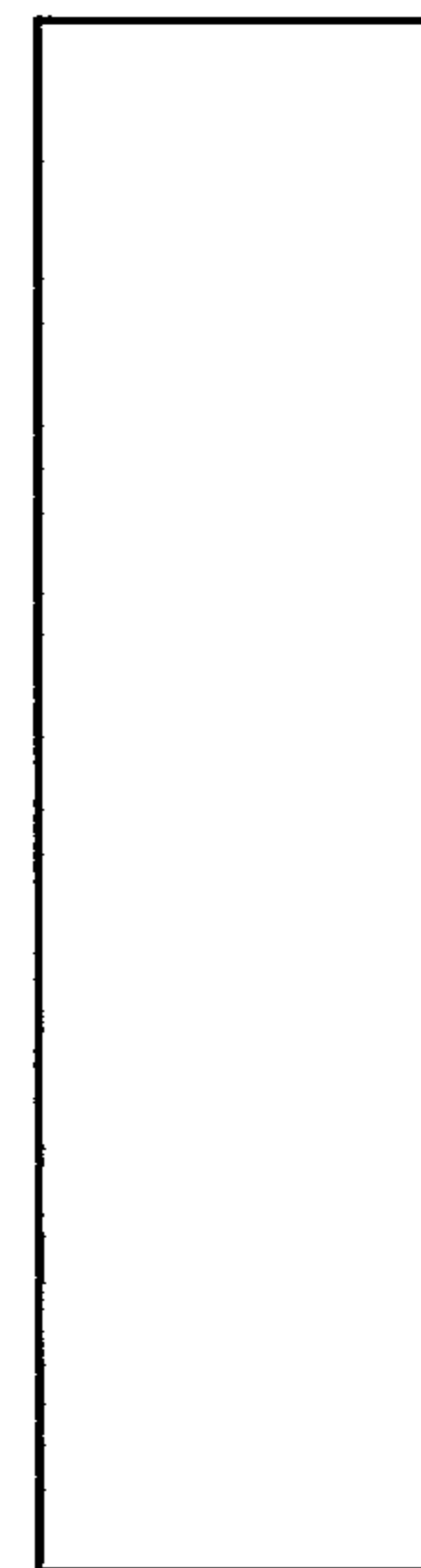


FIG. 20

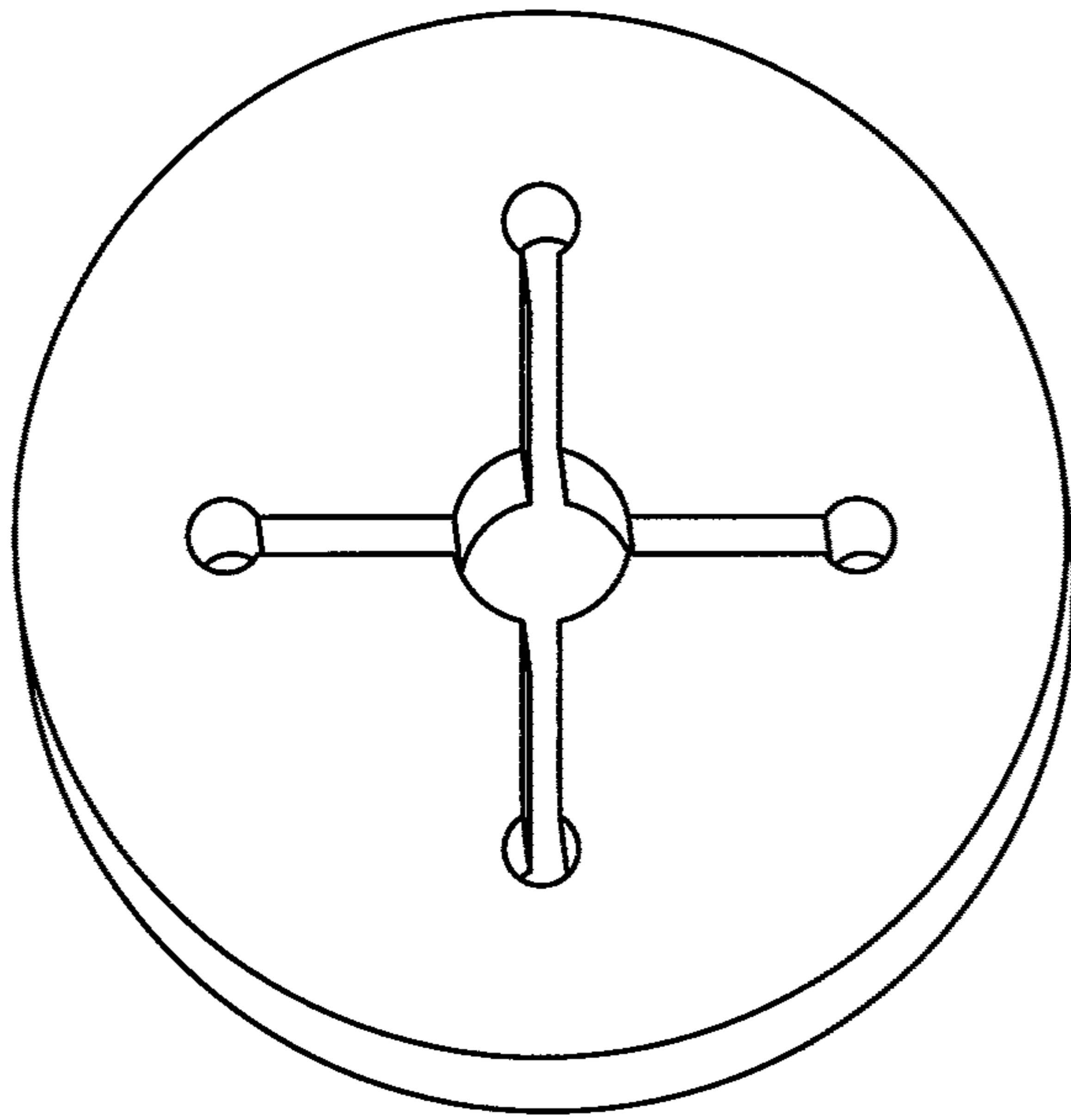


FIG. 21

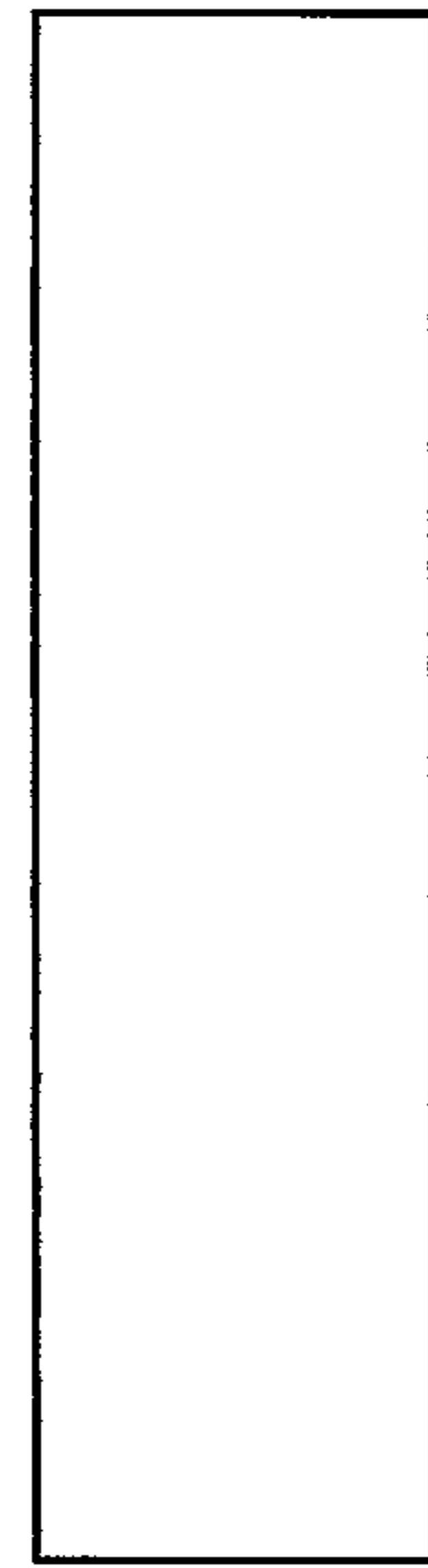


FIG. 22

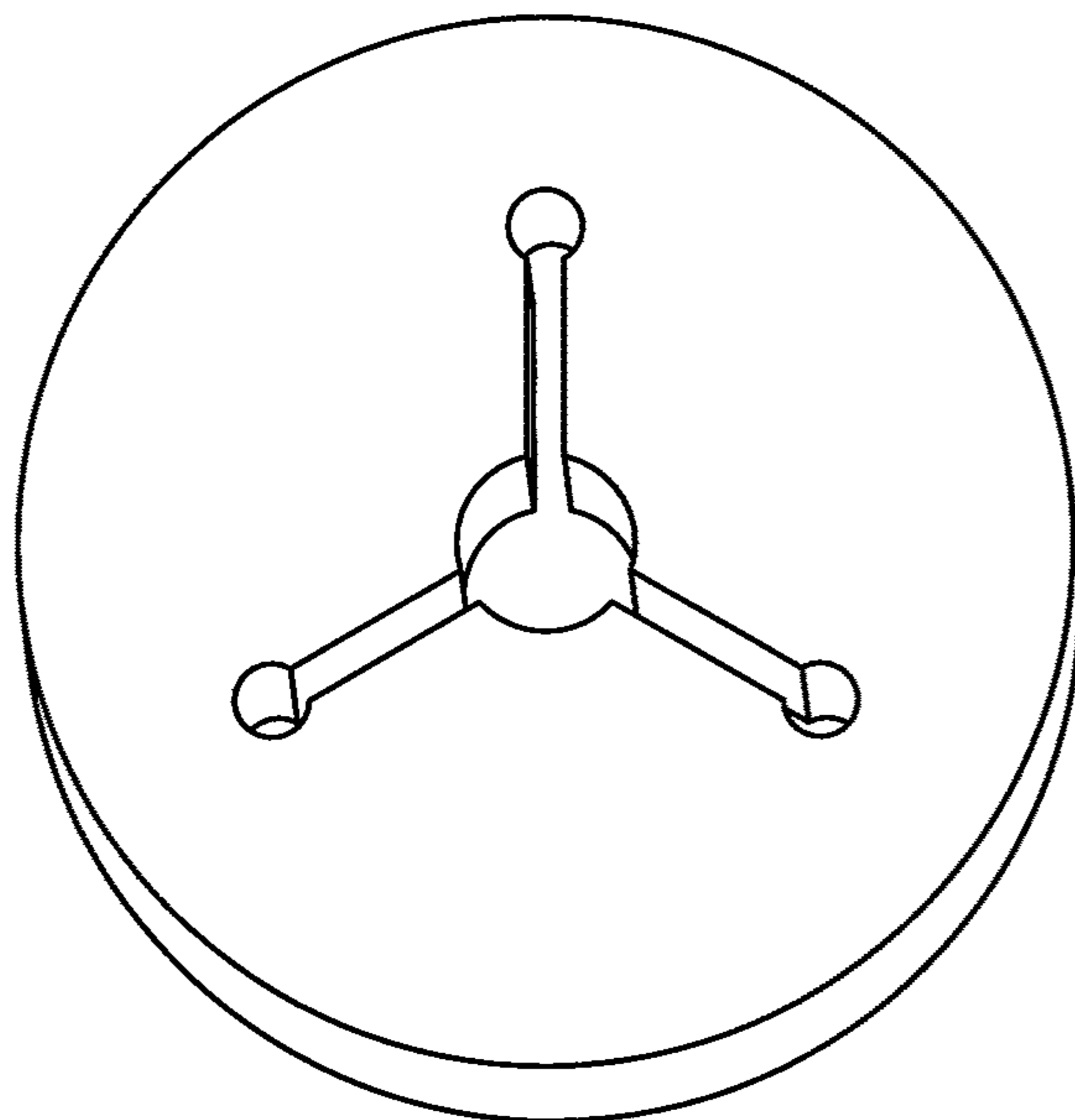


FIG. 23



FIG. 24

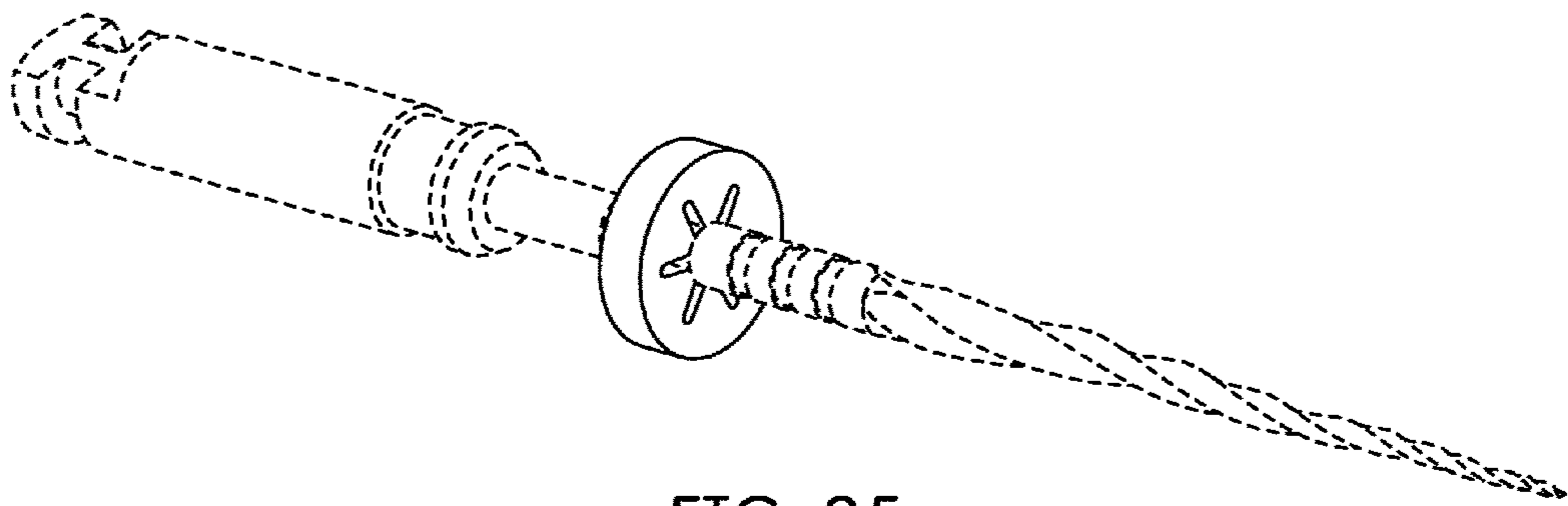


FIG. 25

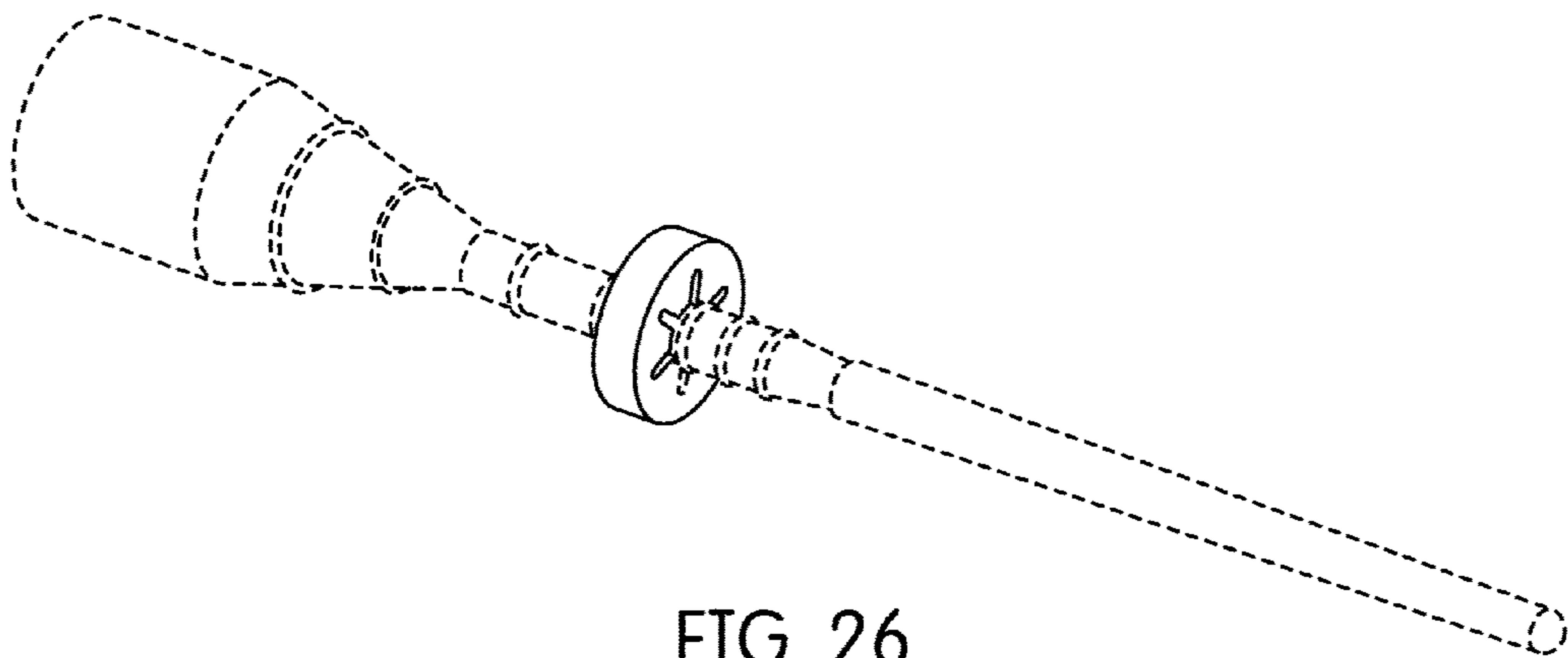


FIG. 26